



US00D443355S

(12) **United States Design Patent**
Gunaratnam et al.

(10) **Patent No.:** **US D443,355 S**

(45) **Date of Patent:** **** Jun. 5, 2001**

(54) **NASAL RESPIRATORY MASK SHELL AND FOREHEAD SUPPORT ASSEMBLY**

(75) **Inventors:** **Michael Kassipillai Gunaratnam,**
Marsfield; Jonathan Lee Liston,
Redfern, both of (AU)

(73) **Assignee:** **ResMed Limited, North Ryde (AU)**

(**) **Term:** **14 Years**

(21) **Appl. No.:** **29/115,618**

(22) **Filed:** **Dec. 16, 1999**

(30) **Foreign Application Priority Data**

Jun. 18, 1999 (AU) 1916/99

(51) **LOC (7) Cl.** **29-02**

(52) **U.S. Cl.** **D24/110.4**

(58) **Field of Search** **D24/110.5, 110.4,**
D24/110.1; 128/206.27, 207.11, 202.27,
204.11, 205.25, 207.18

(56) **References Cited**

U.S. PATENT DOCUMENTS

D. 419,670 * 1/2000 Pollard D24/110.4

5,042,478	*	8/1991	Kopala et al.	128/207.18
5,243,971	*	9/1993	Sullivan et al.	128/205.25
5,542,128	*	8/1996	Lomas	128/207.11
5,662,101	*	9/1997	Ogden et al.	128/205.25
5,687,715	*	11/1997	Landis et al.	128/207.18
6,044,844	*	4/2000	Kwok et al.	128/206.27

* cited by examiner

Primary Examiner—Ian Simmons

(74) *Attorney, Agent, or Firm*—Pillsbury Madison & Sutro LLP

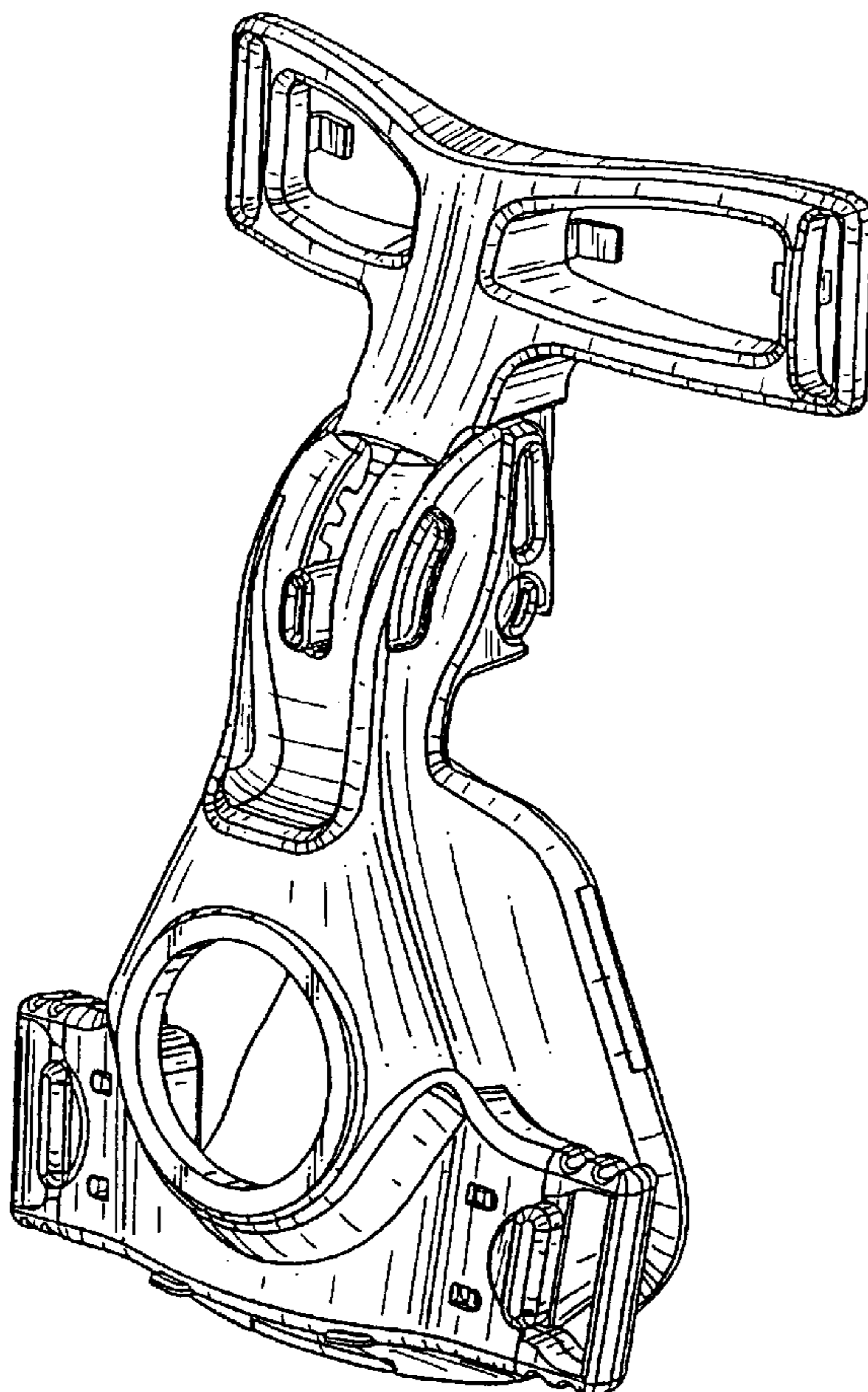
(57) **CLAIM**

The ornamental design for a nasal respiratory mask shell and forehead support assembly, as shown and described.

DESCRIPTION

FIG. 1 is a perspective view showing my new design;
FIG. 2 is a front view thereof;
FIG. 3 is a right hand side view, the left hand side view being a mirror image thereof;
FIG. 4 is a rear view thereof;
FIG. 5 is a top view thereof; and,
FIG. 6 is a bottom view thereof.

1 Claim, 2 Drawing Sheets



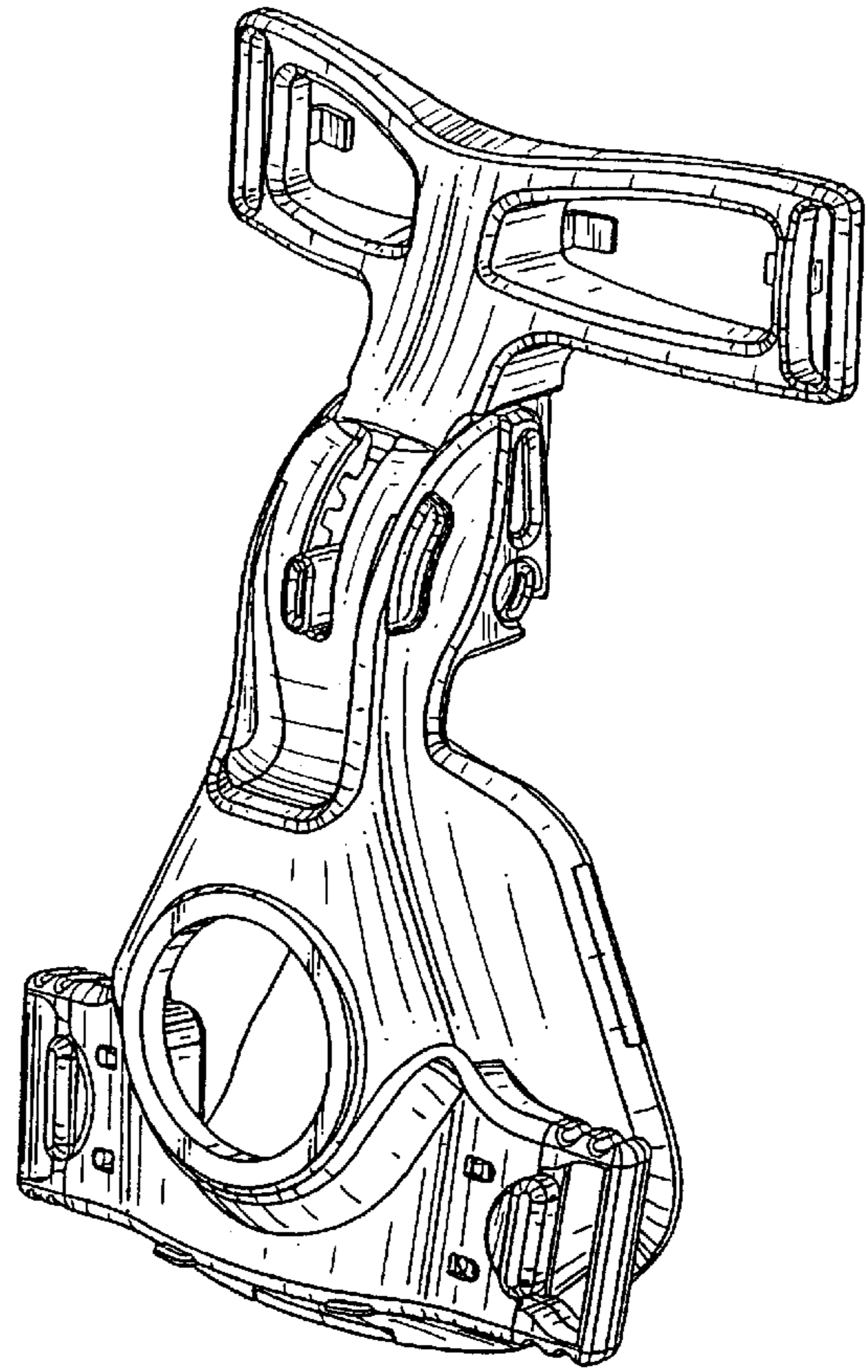


FIG 1

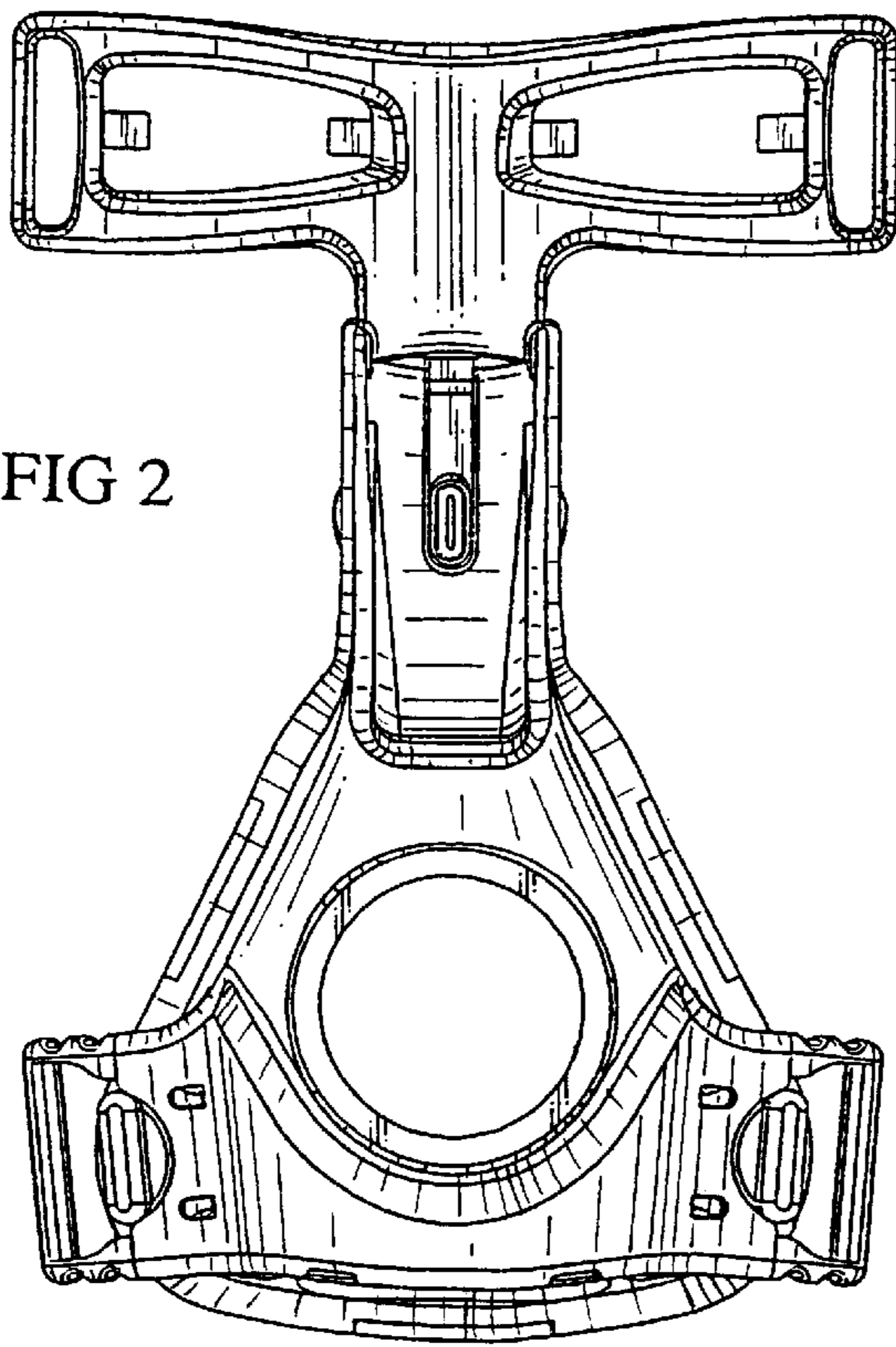


FIG 2

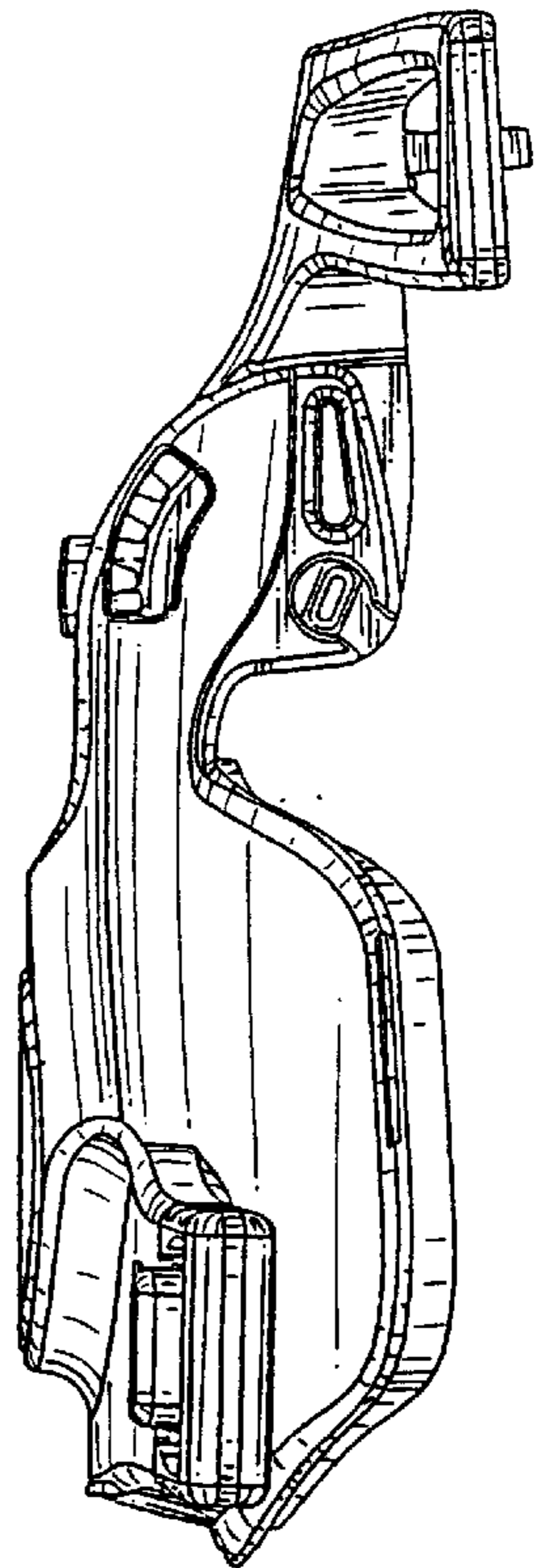


FIG 3

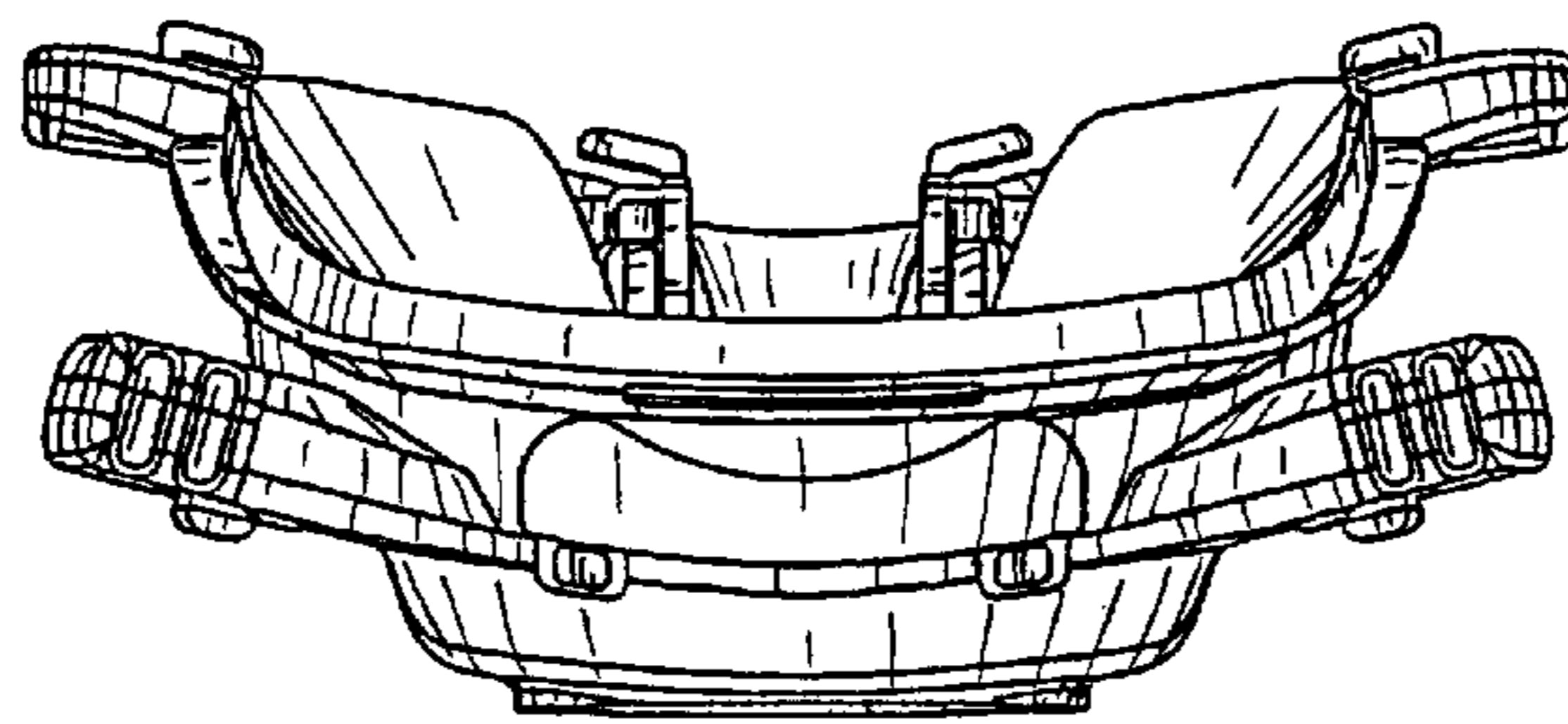
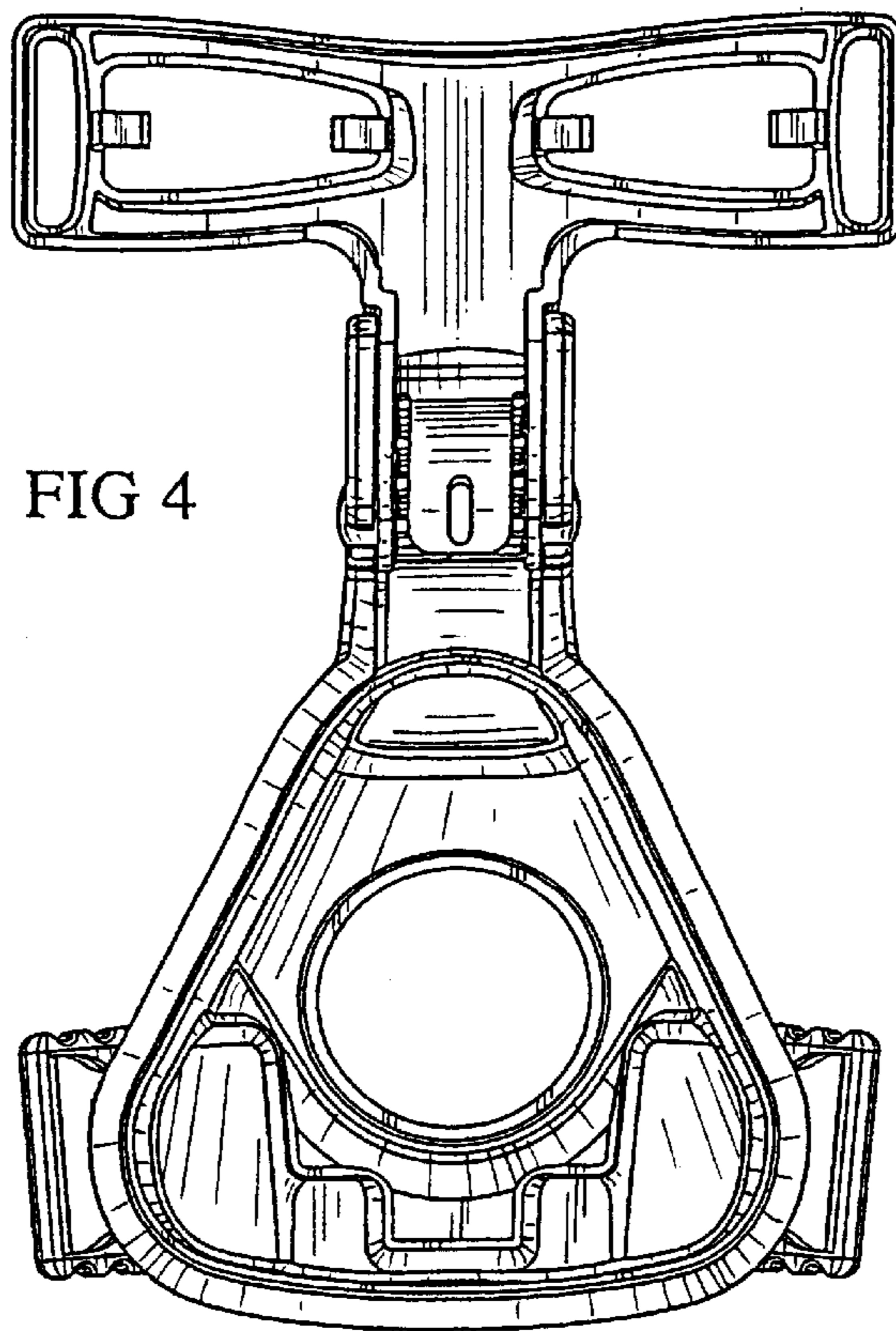


FIG 5

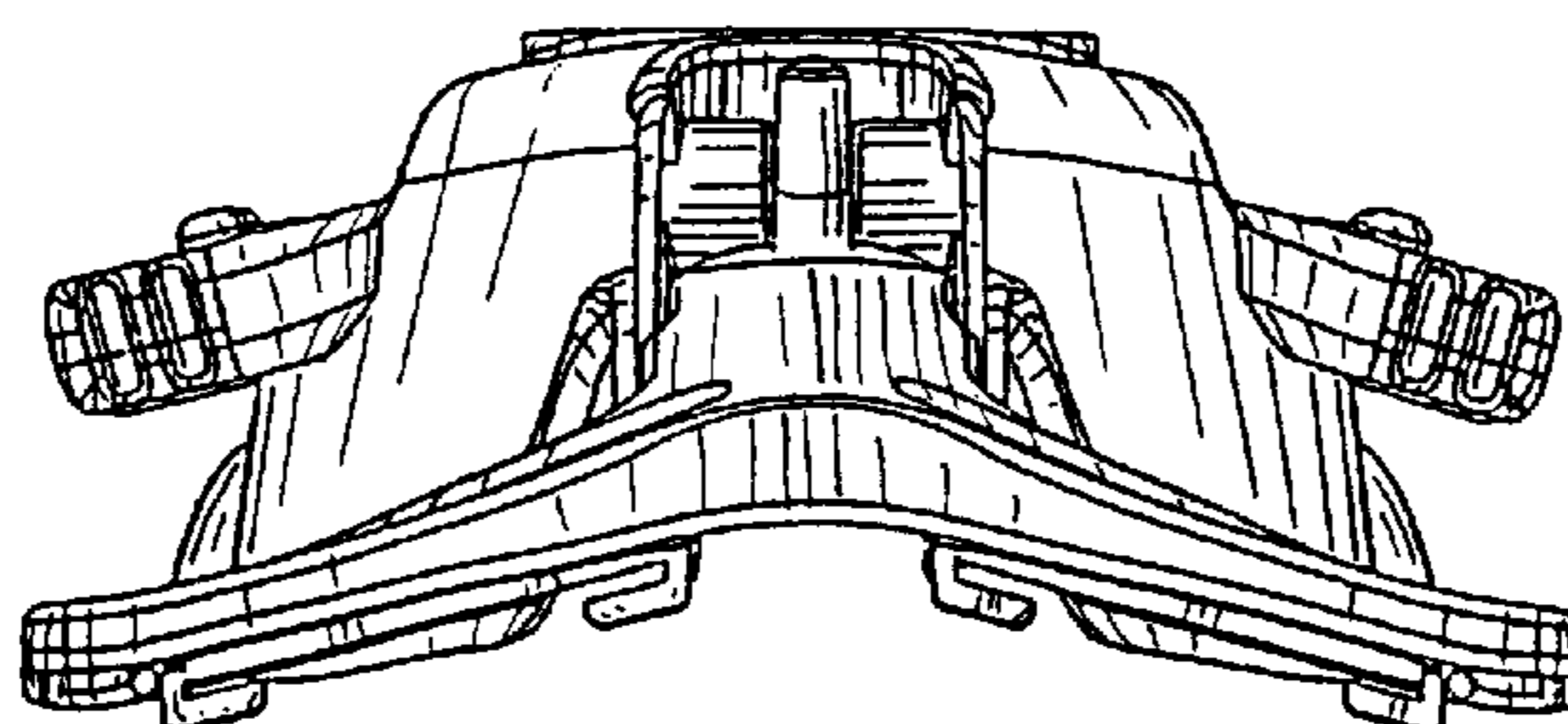


FIG 6