



US00D443354S

(12) **United States Design Patent**
Johnston

(10) **Patent No.:** **US D443,354 S**

(45) **Date of Patent:** **** Jun. 5, 2001**

(54) **DIAMOND SHAPED GAS BURNER**

1,810,373 * 6/1931 Roberts 431/90

(75) Inventor: **Robert Johnston**, Columbus, GA (US)

* cited by examiner

(73) Assignee: **W. C. Bradley Company**, Columbus, GA (US)

Primary Examiner—Mitchell Siegel

(74) *Attorney, Agent, or Firm*—James W. Kayden; Thomas, Kayden, Horstemeyer & Risley

(**) Term: **14 Years**

(57) **CLAIM**

(21) Appl. No.: **29/127,548**

The ornamental design of a diamond shaped gas burner, as shown and described.

(22) Filed: **Aug. 8, 2000**

DESCRIPTION

(51) **LOC (7) Cl.** **23-03**

FIG. 1 is a perspective view showing my new diamond shaped gas burner;

(52) **U.S. Cl.** **D23/415**

FIG. 2 is a left side elevational view thereof;

(58) **Field of Search** D23/415-419;
431/90, 42; 126/92 C, 39 R, 39 H

FIG. 3 is a right side elevational view thereof;

FIG. 4 is a front elevational view thereof.

FIG. 5 is a rear elevational view thereof,

FIG. 6 is a top plan view thereof; and,

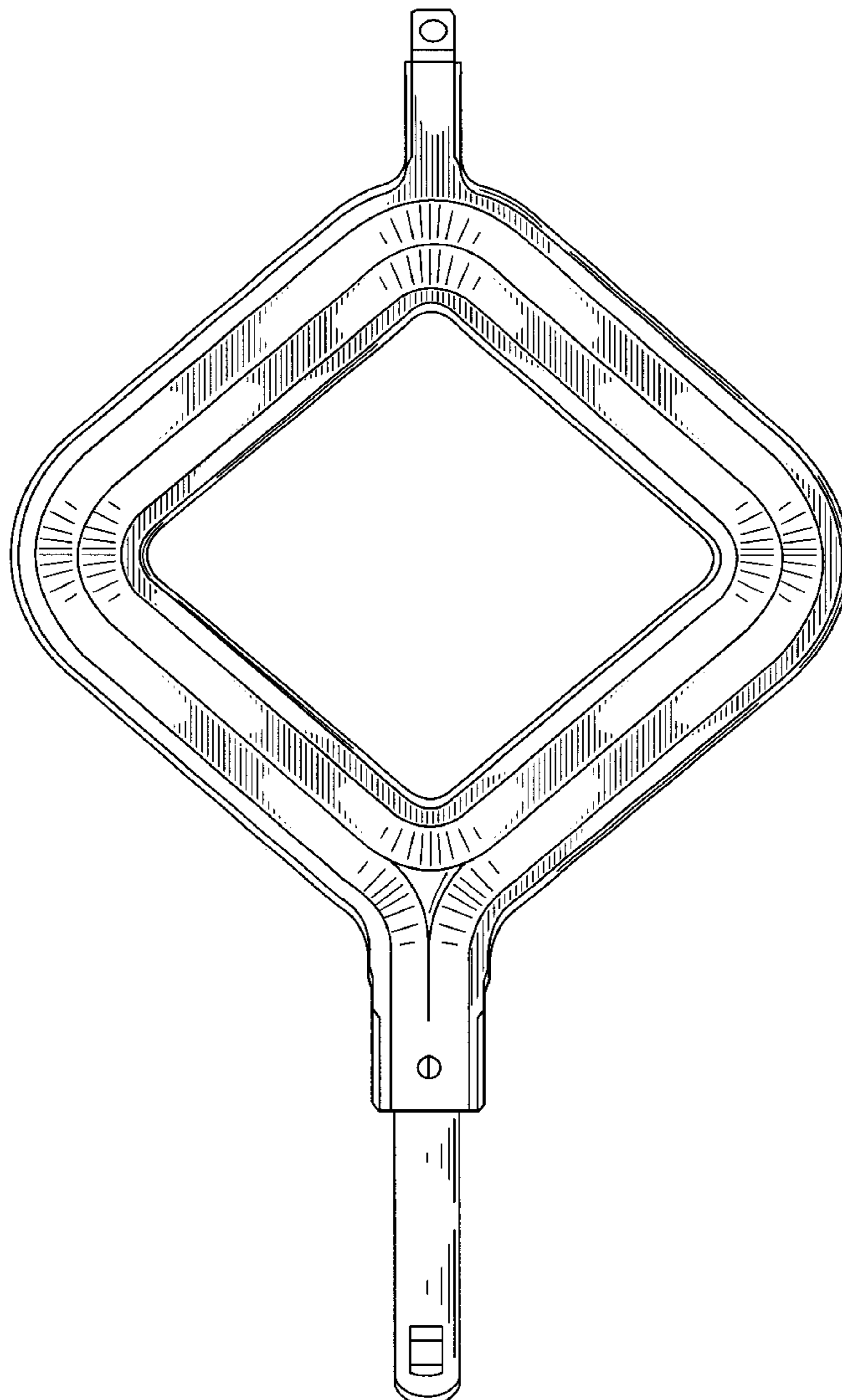
FIG. 7 is a bottom plan view thereof.

(56) **References Cited**

U.S. PATENT DOCUMENTS

D. 115,880 * 7/1939 Hennessy D23/415

1 Claim, 4 Drawing Sheets



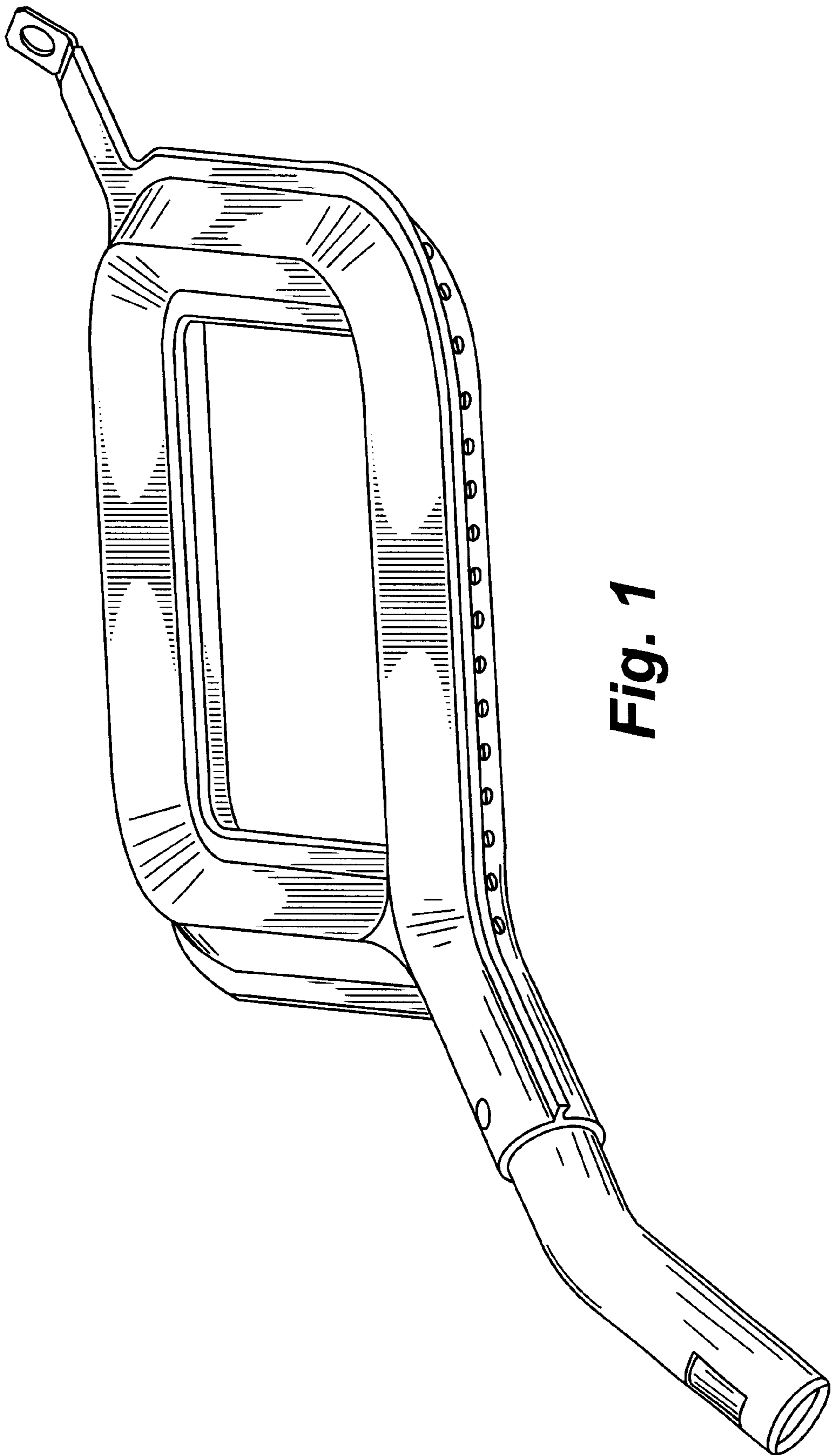


Fig. 1

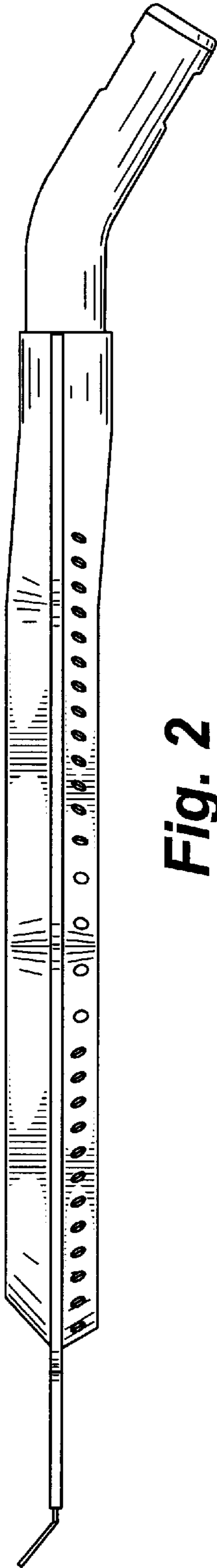


Fig. 2

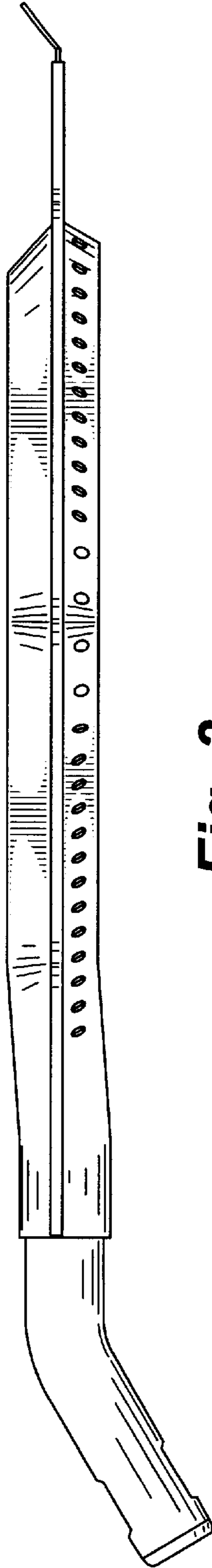


Fig. 3

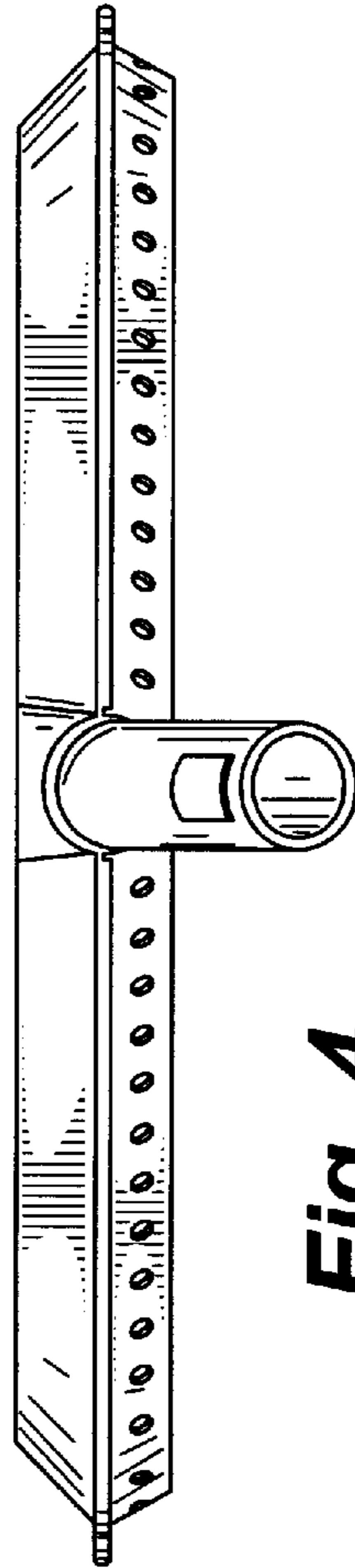


Fig. 4

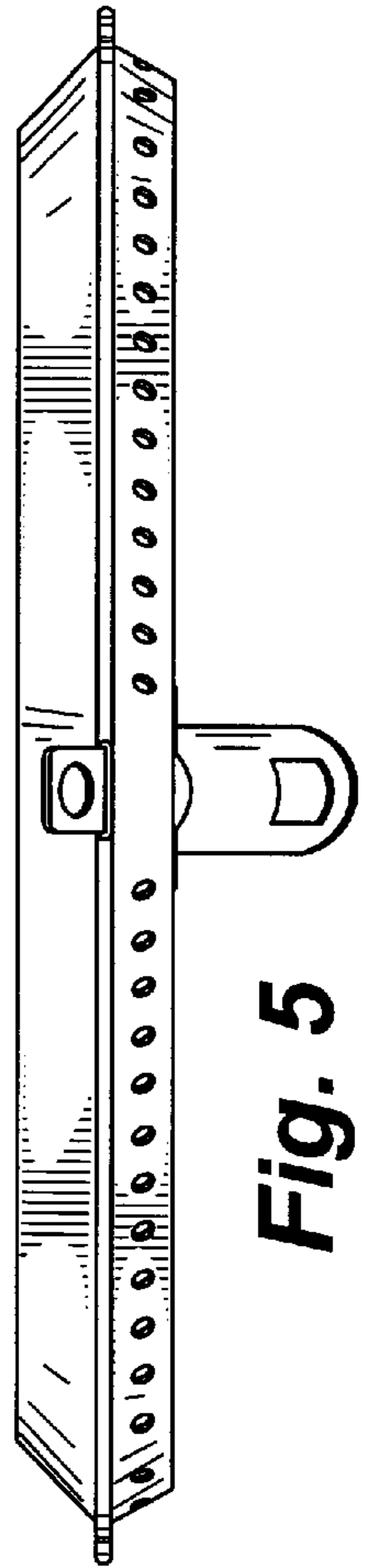


Fig. 5

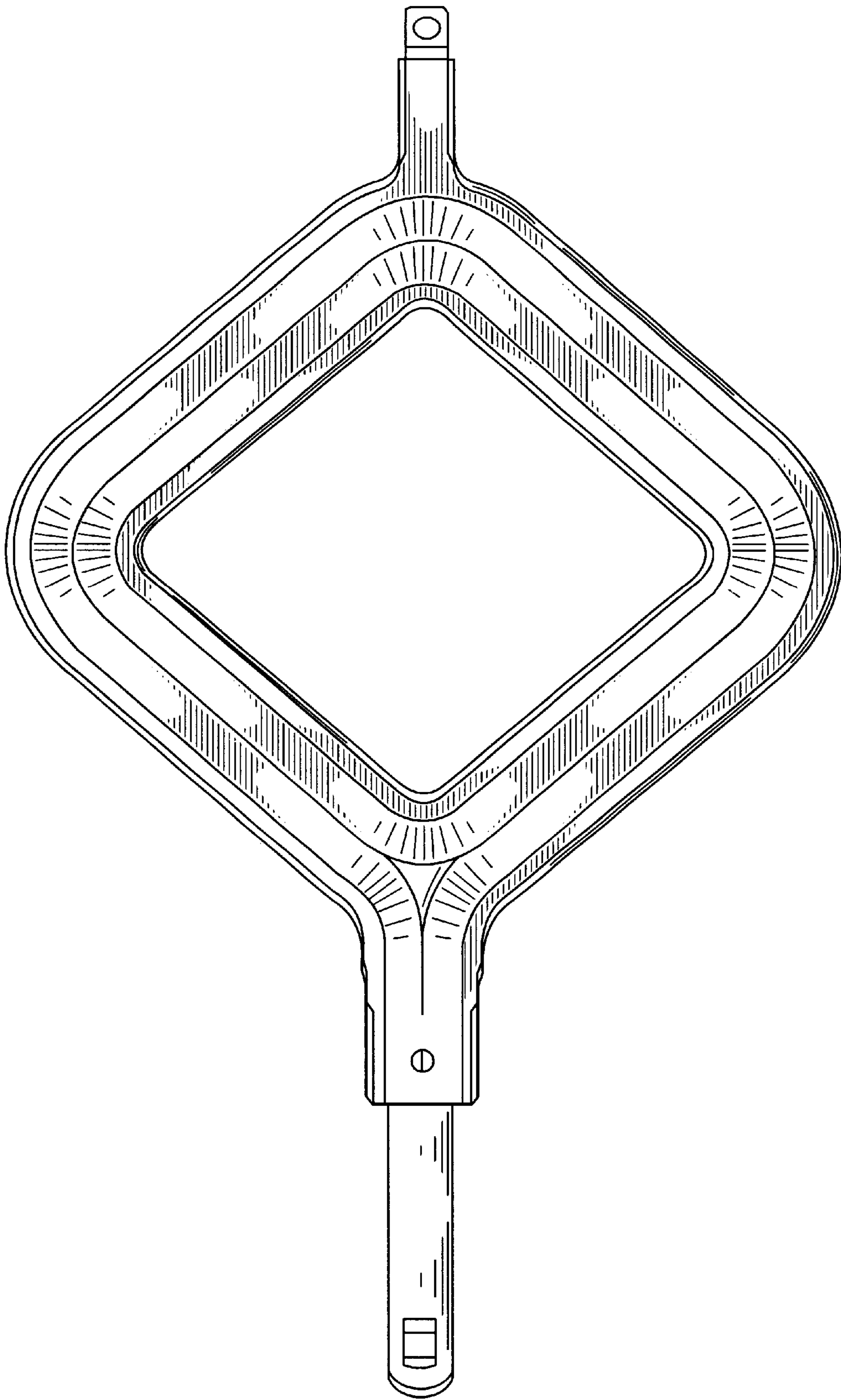


Fig. 6

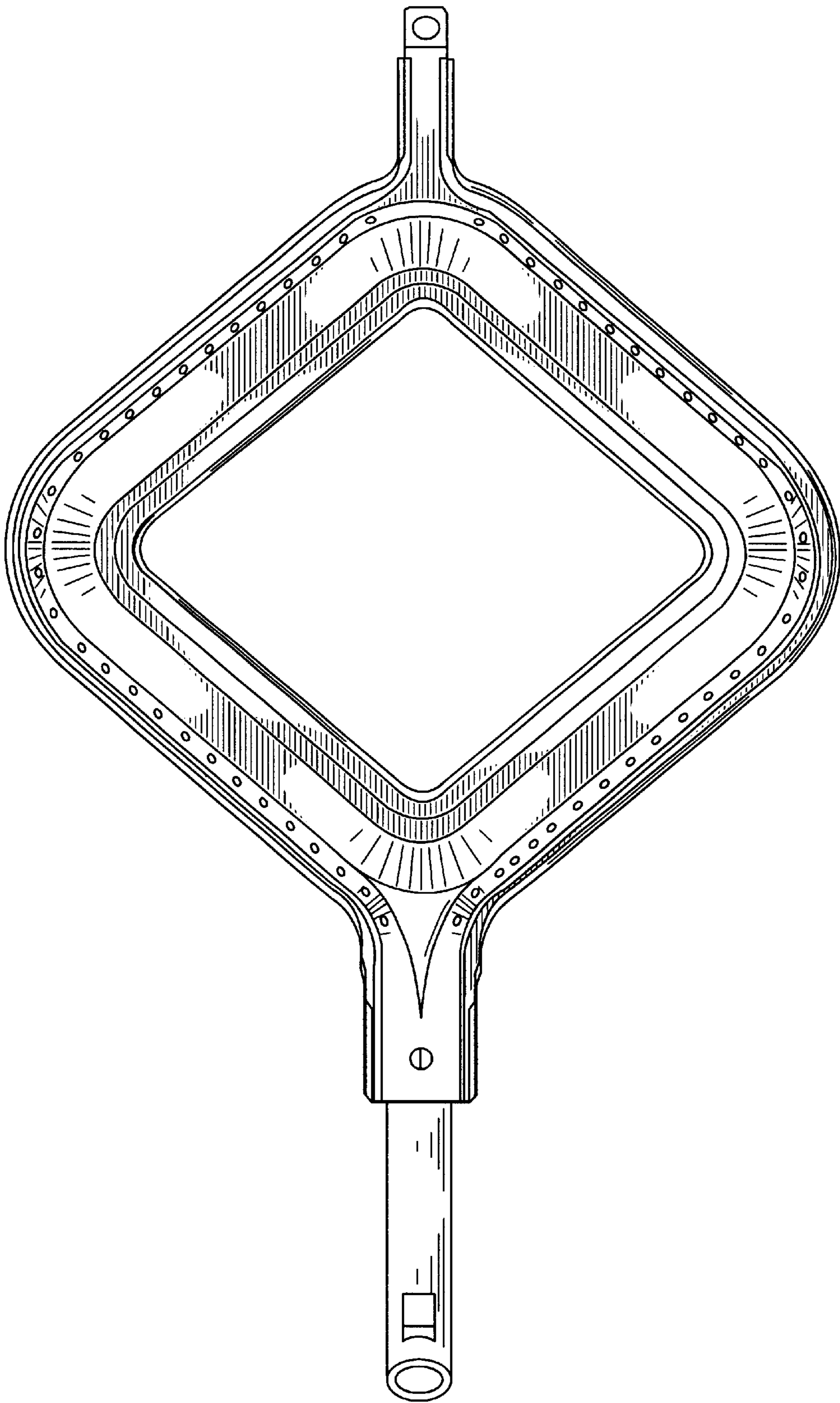


Fig. 7