



US00D443347S

(12) **United States Design Patent**  
**Gottwald**

(10) **Patent No.:** **US D443,347 S**

(45) **Date of Patent:** **\*\* Jun. 5, 2001**

(54) **SHOWER HOLDER**

(75) Inventor: **Adolf Gottwald, Iserlohn (DE)**

(73) Assignee: **Friedrich Grohe AG & Co. KG,**  
**Hemer (DE)**

(\*\*) Term: **14 Years**

(21) Appl. No.: **29/128,558**

(22) Filed: **Aug. 25, 2000**

(30) **Foreign Application Priority Data**

Mar. 16, 2000 (DE) ..... 400 02 688

(51) **LOC (7) Cl.** ..... **23-02**

(52) **U.S. Cl.** ..... **D23/304**

(58) **Field of Search** ..... D23/213, 223,  
D23/228, 275, 283, 303, 304; D8/354,  
355; 4/567, 568, 570, 596, 601, 615, 695;  
248/125.1

(56) **References Cited**

**U.S. PATENT DOCUMENTS**

D. 274,457 \* 6/1984 Haug ..... D23/213

D. 324,562 \* 3/1992 Heitz ..... D23/213  
D. 403,754 \* 1/1999 Gottwald ..... D23/304  
4,719,654 \* 1/1988 Blessing ..... 4/596 X  
5,277,391 \* 1/1994 Haug et al. .... 4/615 X  
5,481,765 \* 1/1996 Wang ..... 4/615 X

\* cited by examiner

*Primary Examiner*—Louis S. Zarfes

*Assistant Examiner*—R. A. Delehanty

(74) *Attorney, Agent, or Firm*—Herbert Dubno

(57) **CLAIM**

The ornamental design for a shower holder, as shown and described.

**DESCRIPTION**

FIG. 1 is a bottom, right-side perspective view of a shower holder showing my new design;  
FIG. 2 is a bottom view thereof;  
FIG. 3 is a left side elevational view thereof, the right side elevational view being identical thereto;  
FIG. 4 is a front elevational view thereof;  
FIG. 5 is a top plan view thereof; and,  
FIG. 6 is a rear view thereof.

**1 Claim, 2 Drawing Sheets**

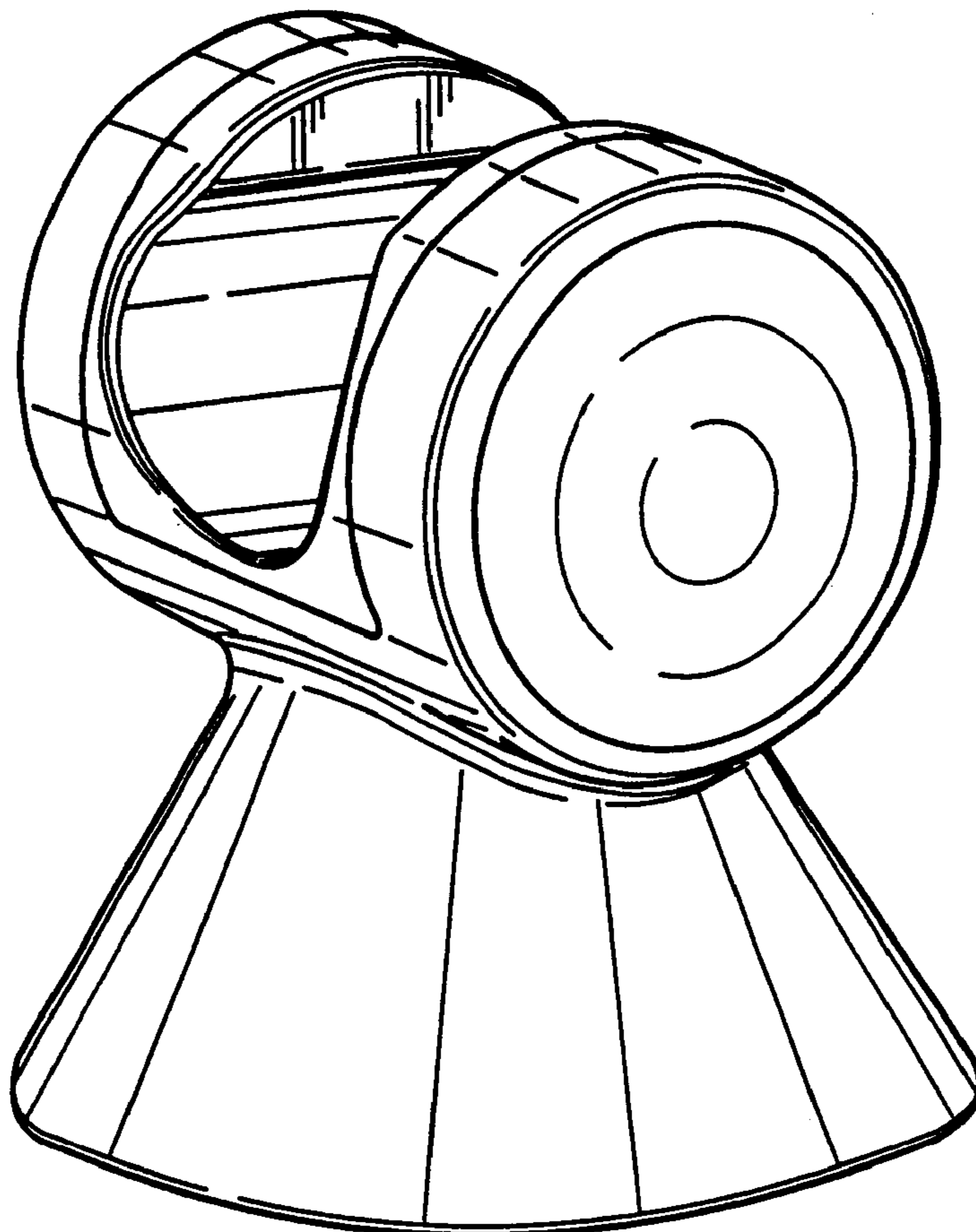


FIG. 1

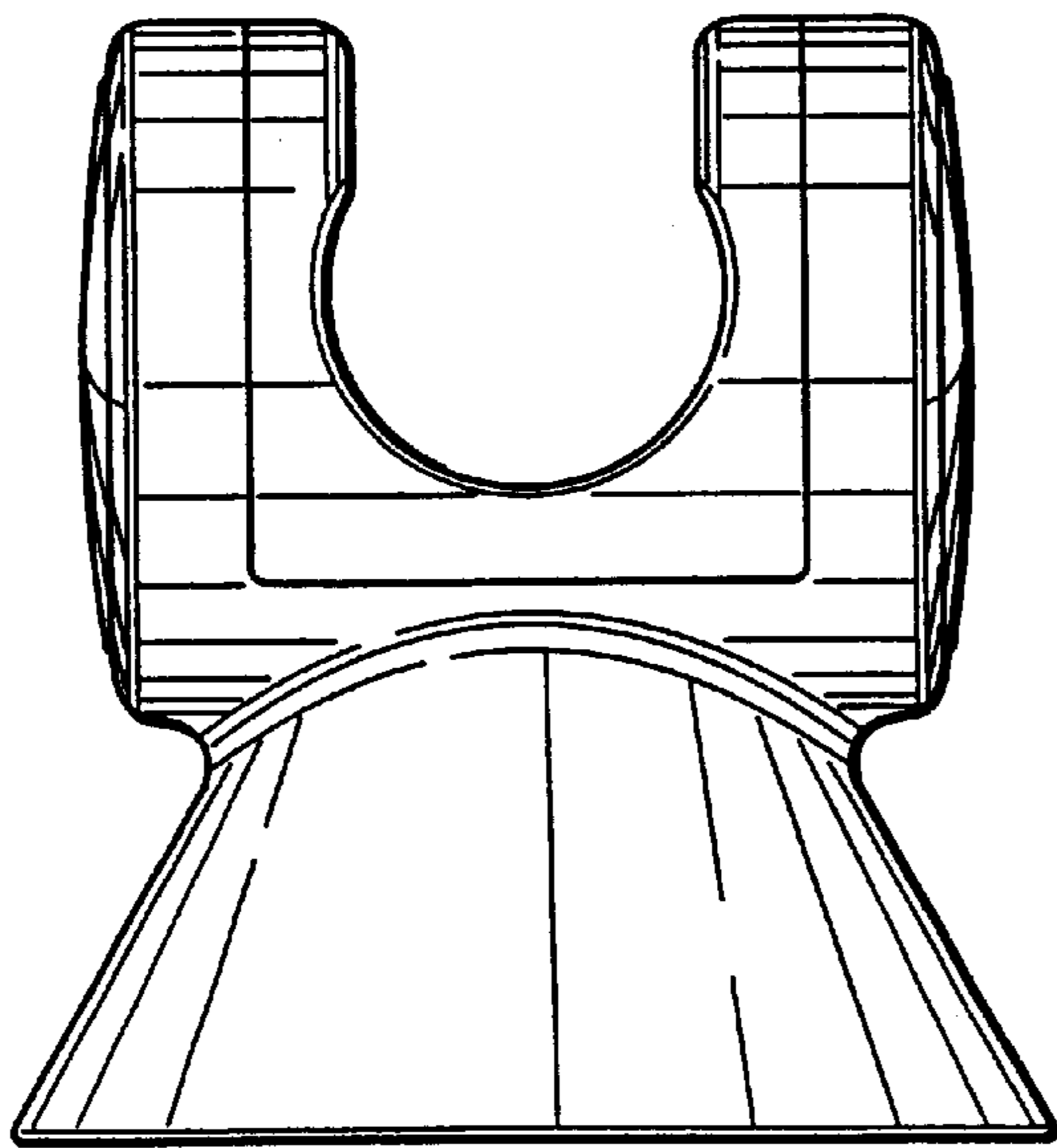
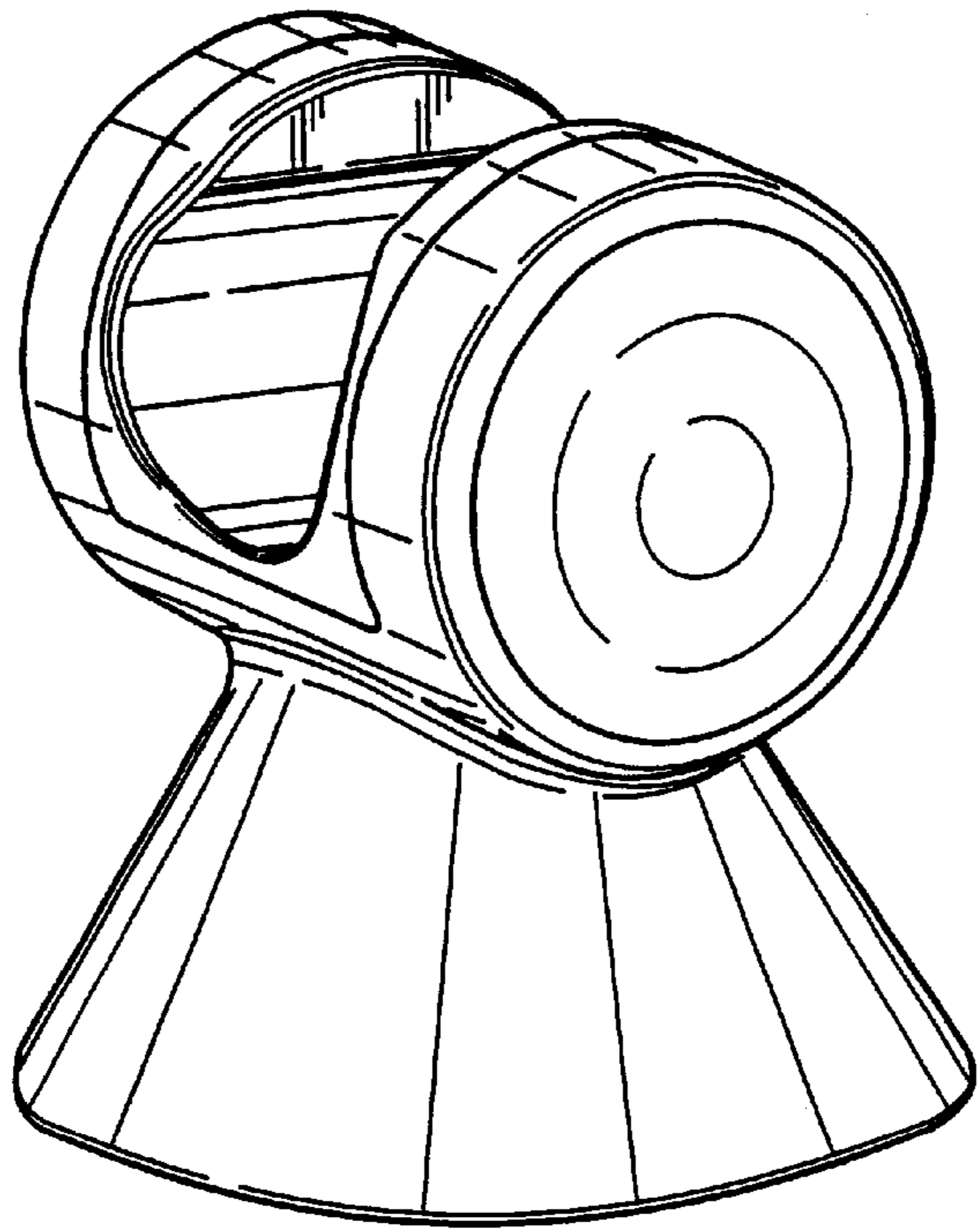


FIG. 2

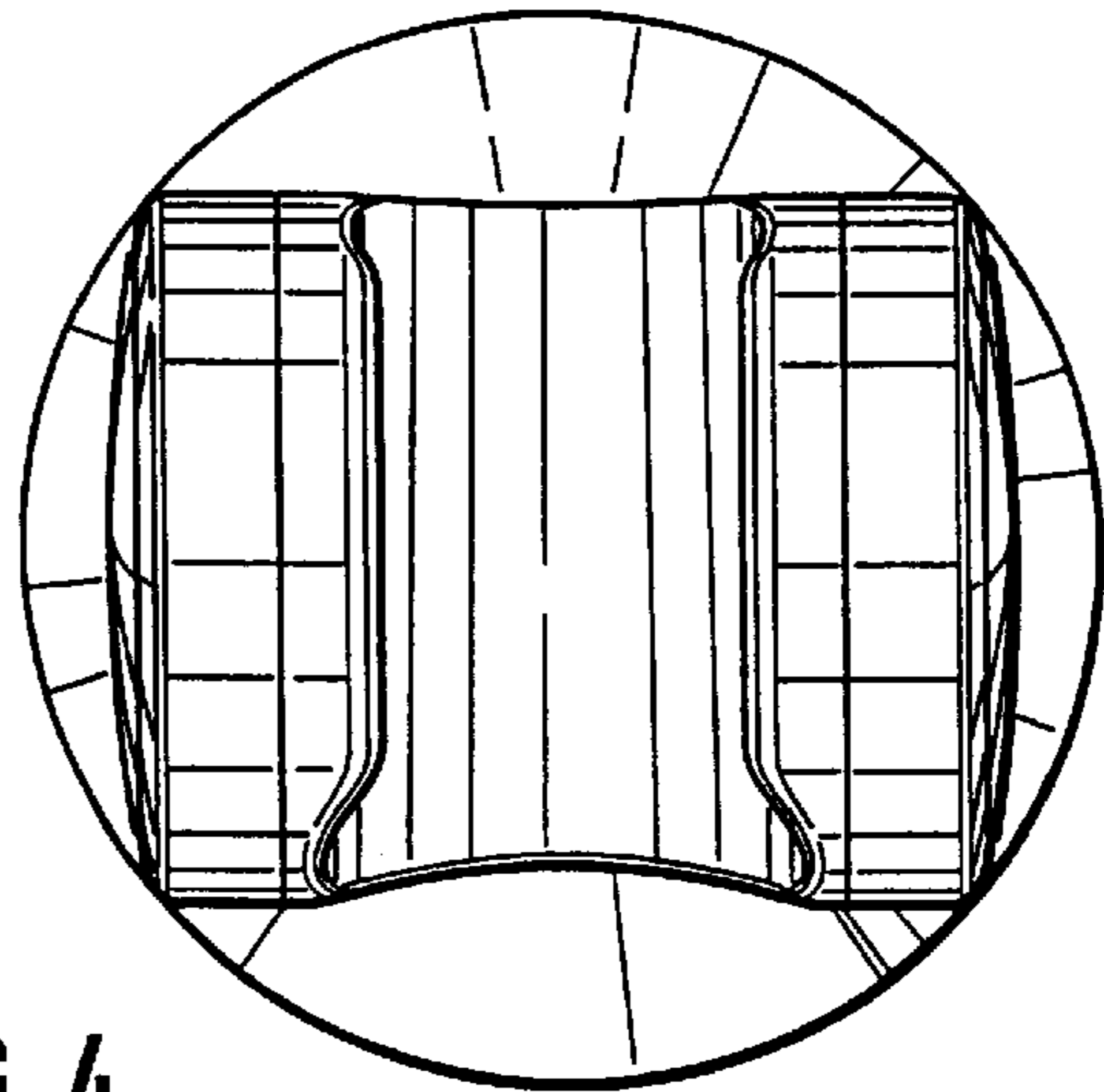


FIG. 4

FIG. 3

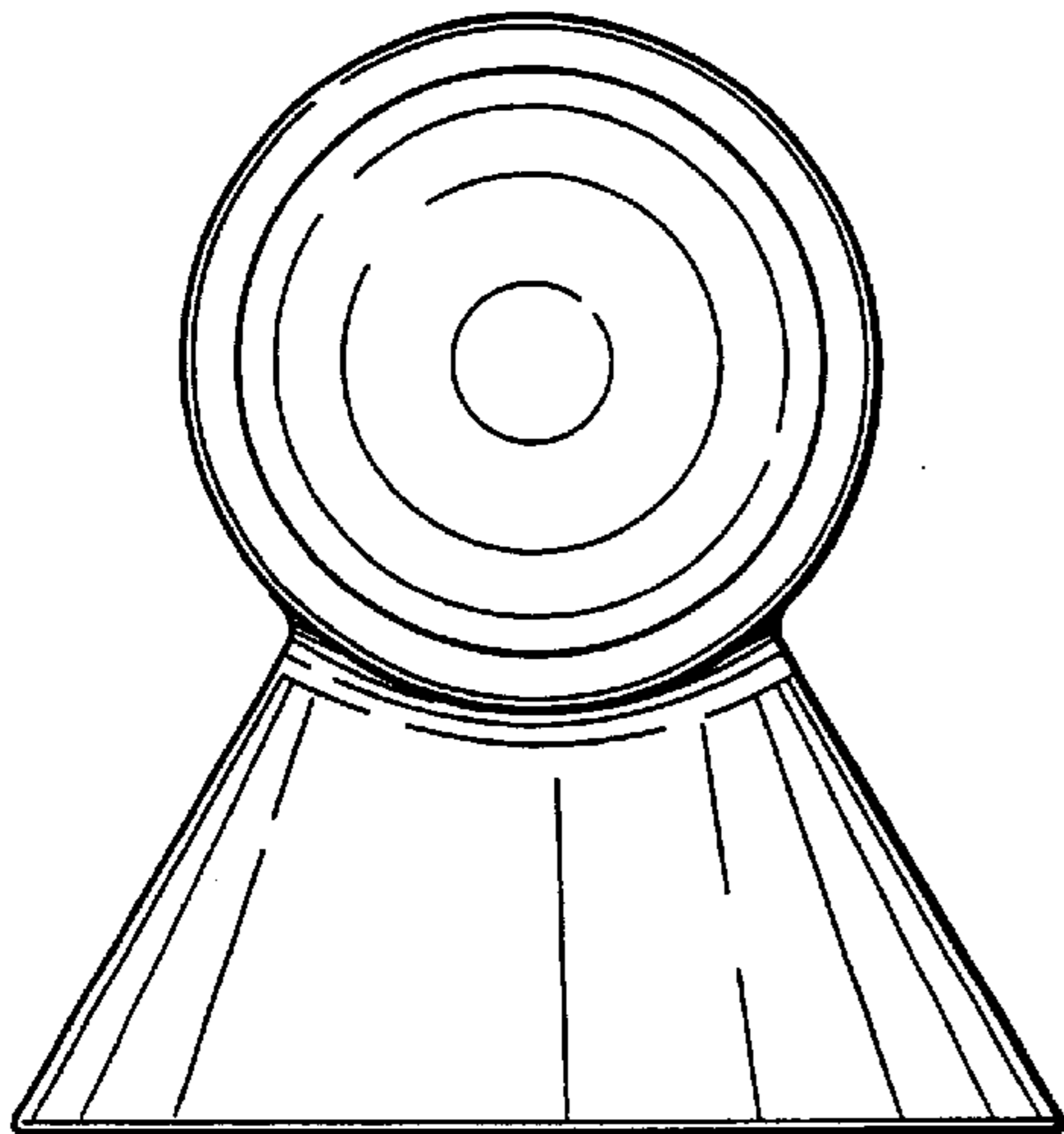


FIG. 5

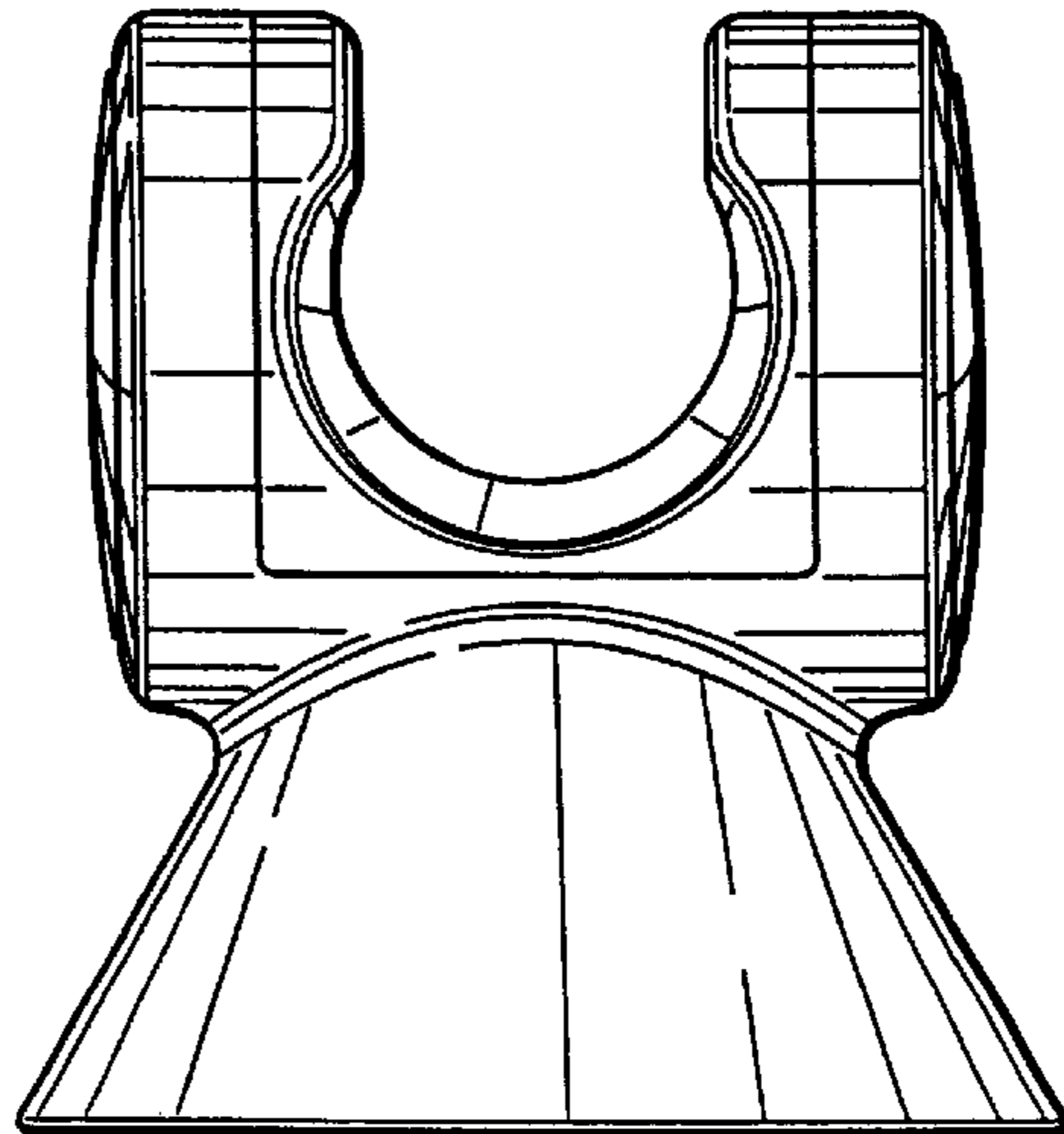


FIG. 6

