



US00D443346S

(12) **United States Design Patent**
Kawamura

(10) **Patent No.:** **US D443,346 S**

(45) **Date of Patent:** **** Jun. 5, 2001**

(54) **BIDET**

(75) **Inventor:** **Sejiro Kawamura, Fukuoka (JP)**

(73) **Assignee:** **Toto, Ltd., Fukuoka (JP)**

(**) **Term:** **14 Years**

(21) **Appl. No.:** **29/121,297**

(22) **Filed:** **Apr. 5, 2000**

(51) **LOC (7) Cl.** **23-02**

(52) **U.S. Cl.** **D23/295**

(58) **Field of Search** D23/273, 295-299,
D23/302-303, 309-312; 4/253, 300, 328,
329, 419, 420, 443, 444, 245.1, 245.6,
446, 234, 901, 902

(56) **References Cited**

U.S. PATENT DOCUMENTS

- D. 261,799 * 11/1981 Alger D23/301
- D. 268,779 * 4/1983 Doman D23/295
- D. 272,382 * 1/1984 Bengtson D23/295

- D. 378,777 * 4/1997 Hohenthauer D23/295
- D. 428,122 * 7/2000 Garza D23/295
- 4,589,438 * 5/1986 Breda 4/443 X

* cited by examiner

Primary Examiner—Louis S. Zarfes

Assistant Examiner—Robert A. Delehanty

(74) *Attorney, Agent, or Firm*—Birch, Stewart, Kolasch & Birch, LLP

(57) **CLAIM**

The ornamental design for a bidet, as shown and described.

DESCRIPTION

FIG. 1 is a perspective view of a bidet showing my new design;
 FIG. 2 is a front elevational view thereof;
 FIG. 3 is a rear elevational view thereof;
 FIG. 4 is a top plan view thereof;
 FIG. 5 is a bottom plan view thereof;
 FIG. 6 is a right side elevational view thereof; and,
 FIG. 7 is a left side elevational view thereof.

1 Claim, 3 Drawing Sheets

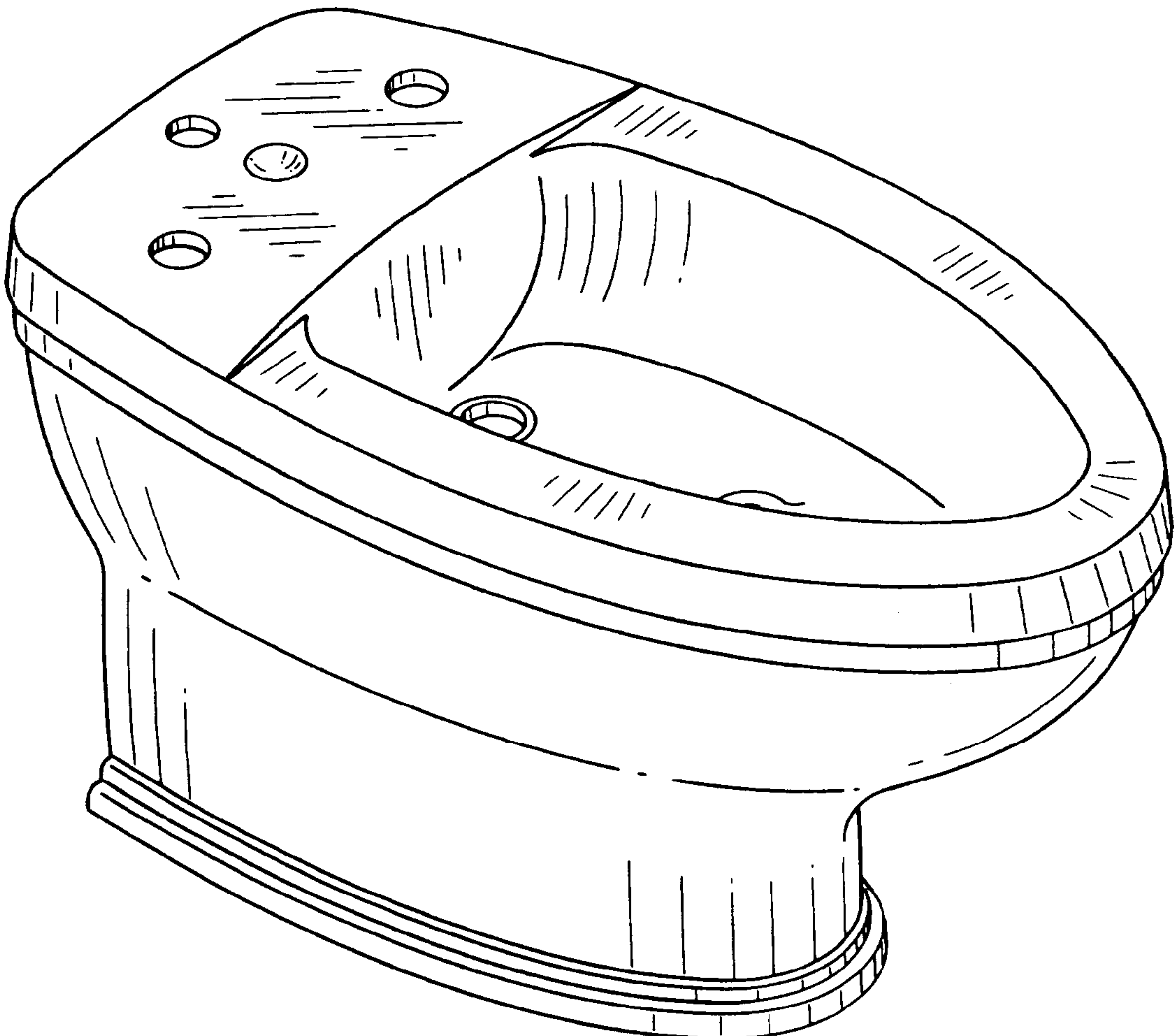


FIG. 1

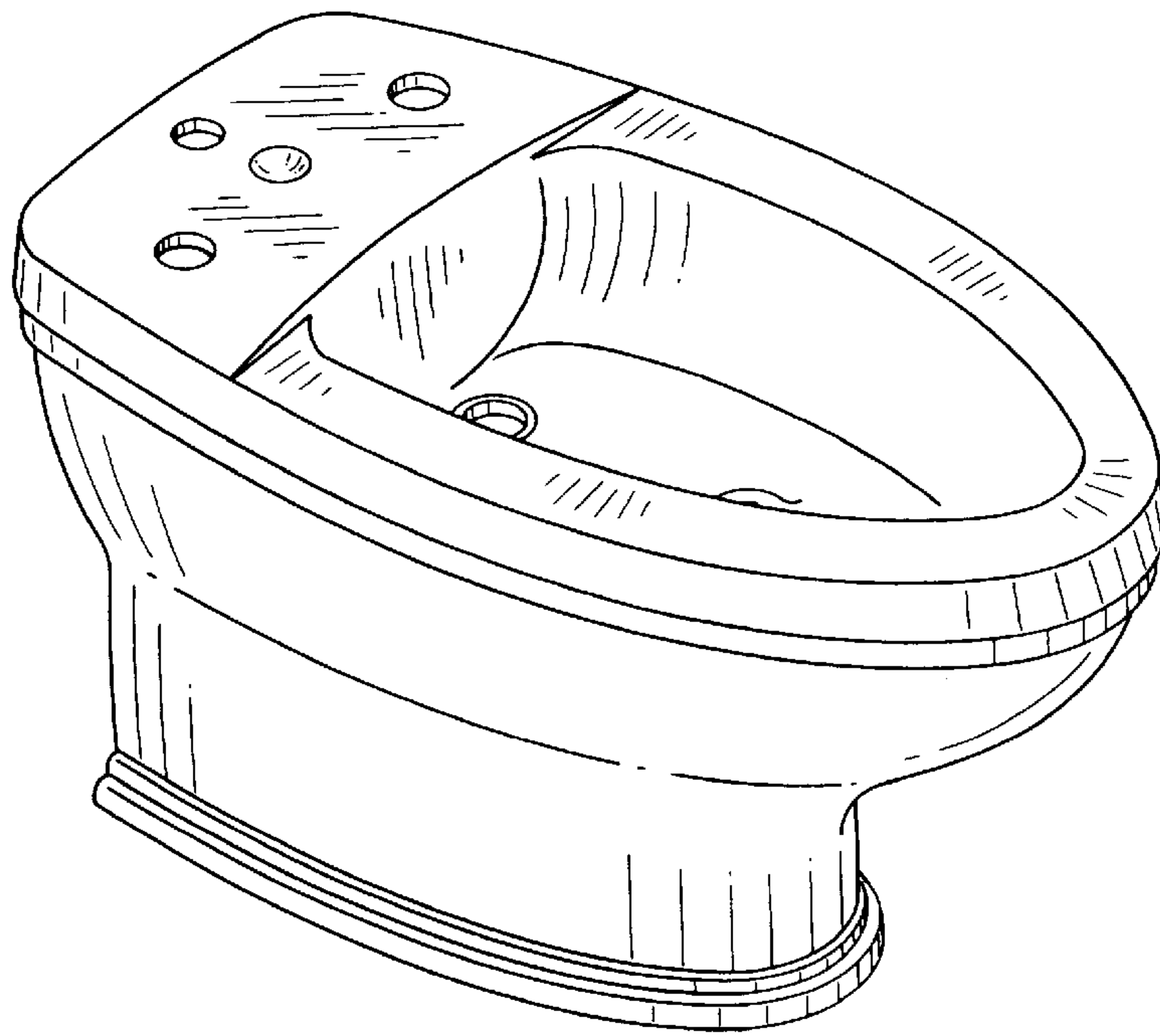


FIG. 2

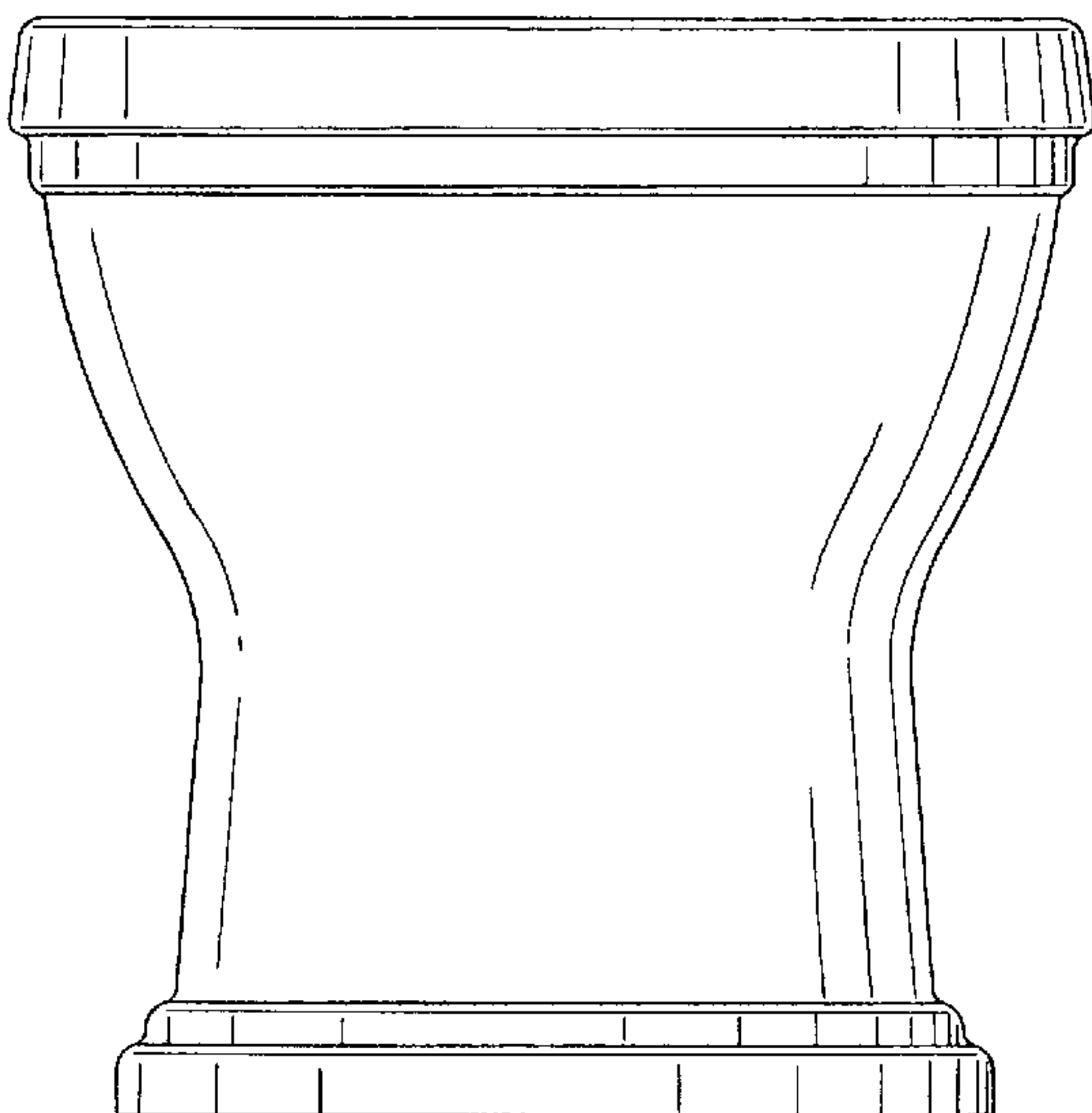


FIG. 3

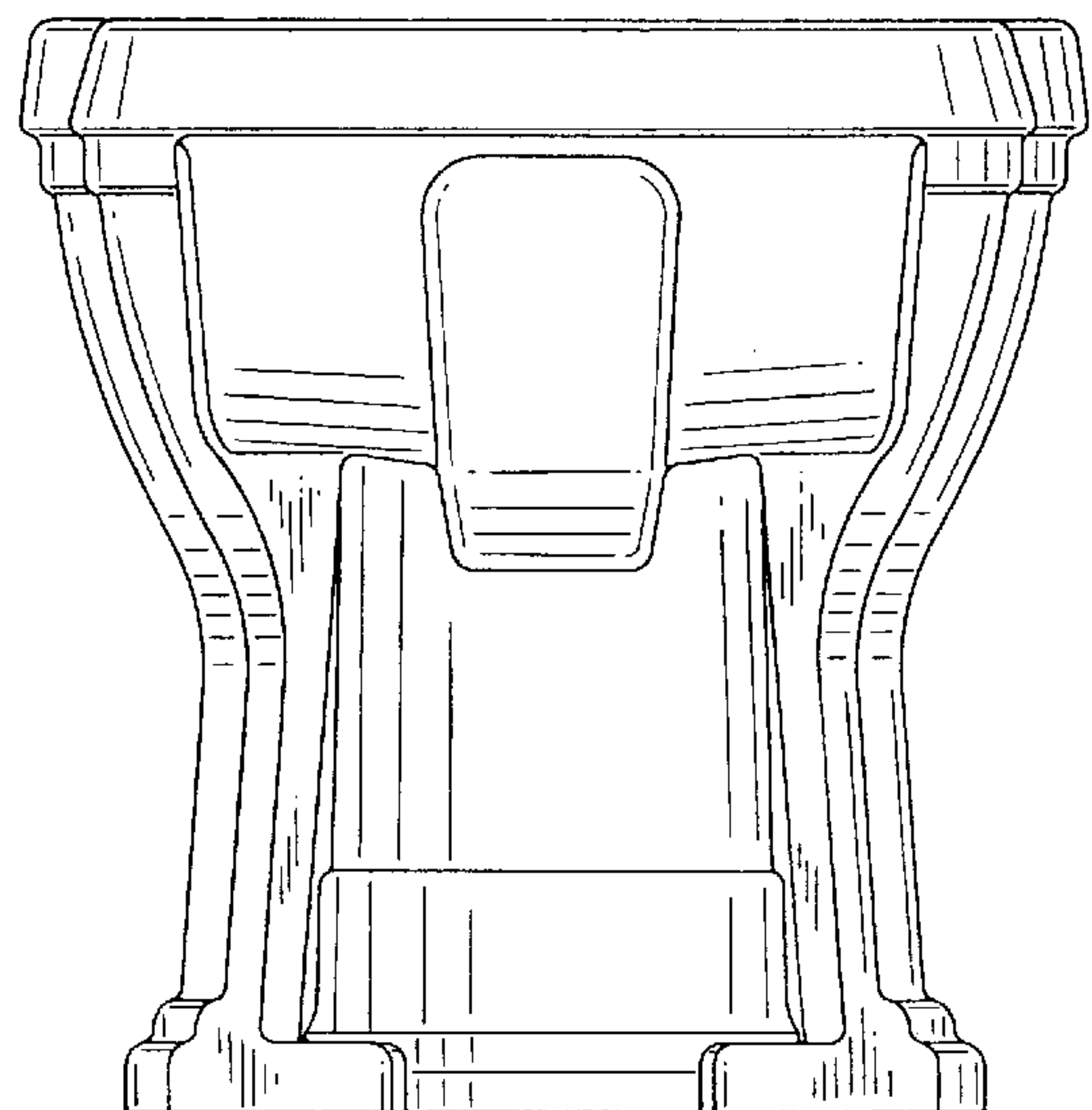


FIG. 5

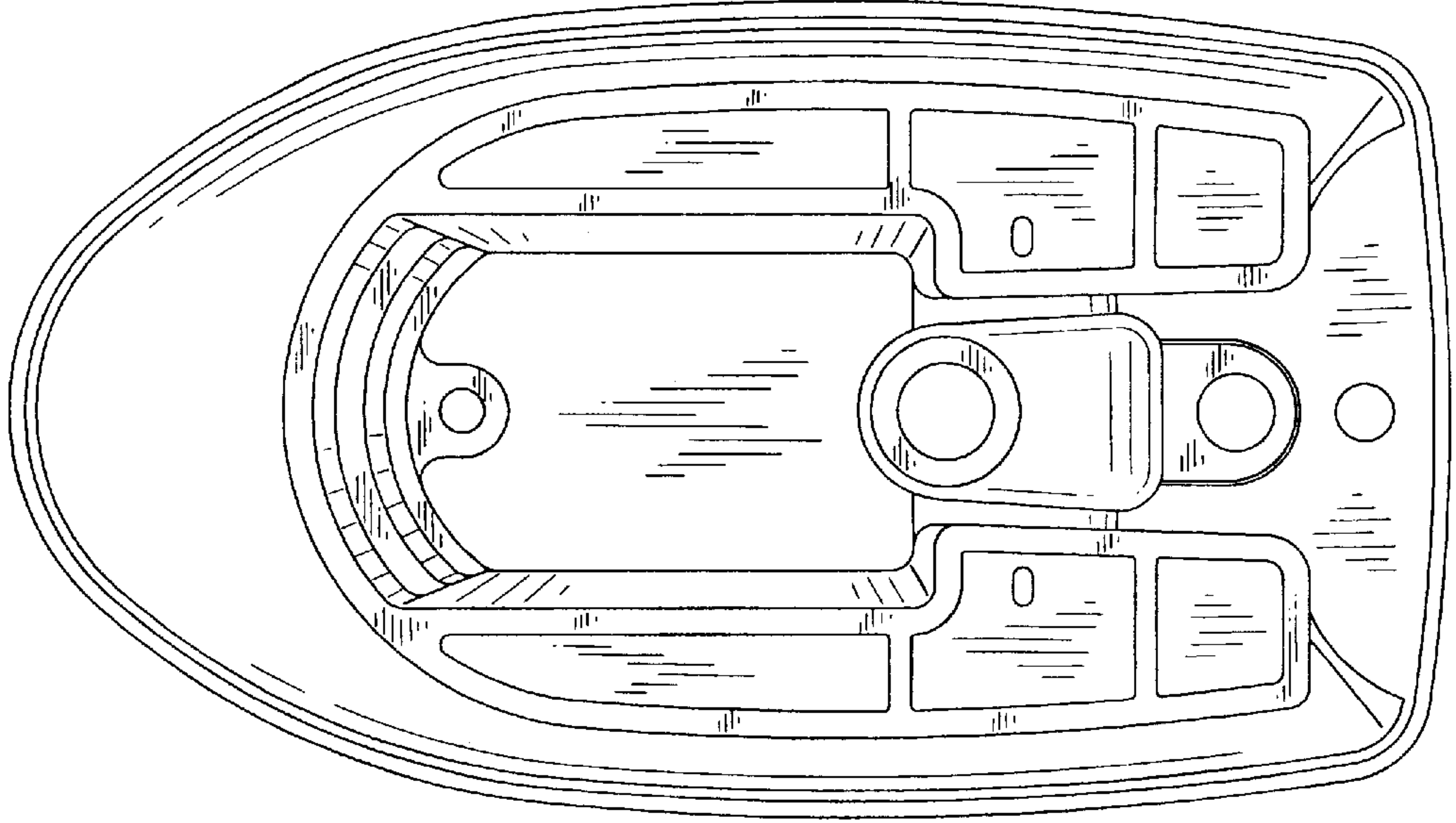


FIG. 4

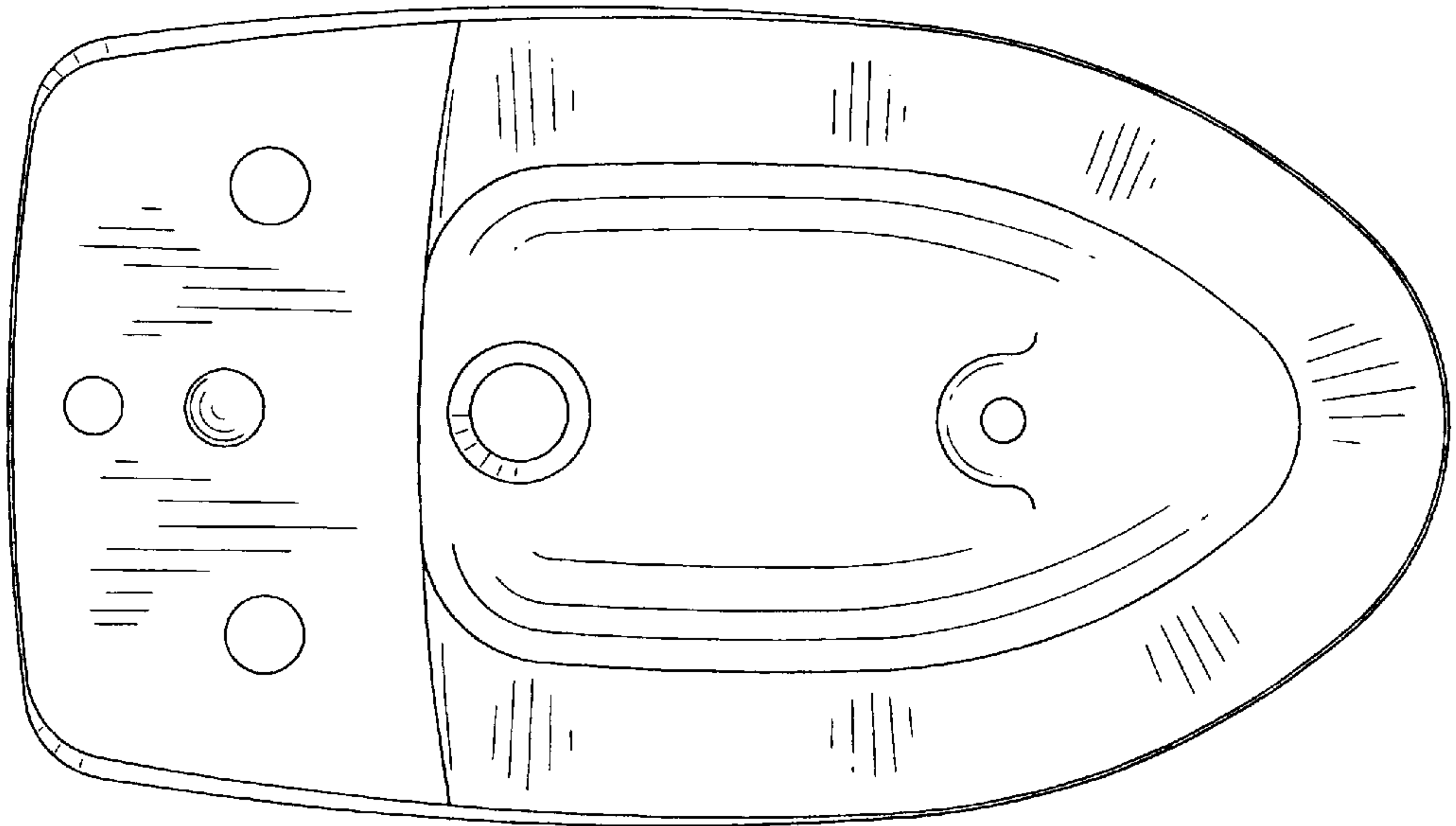


FIG. 6

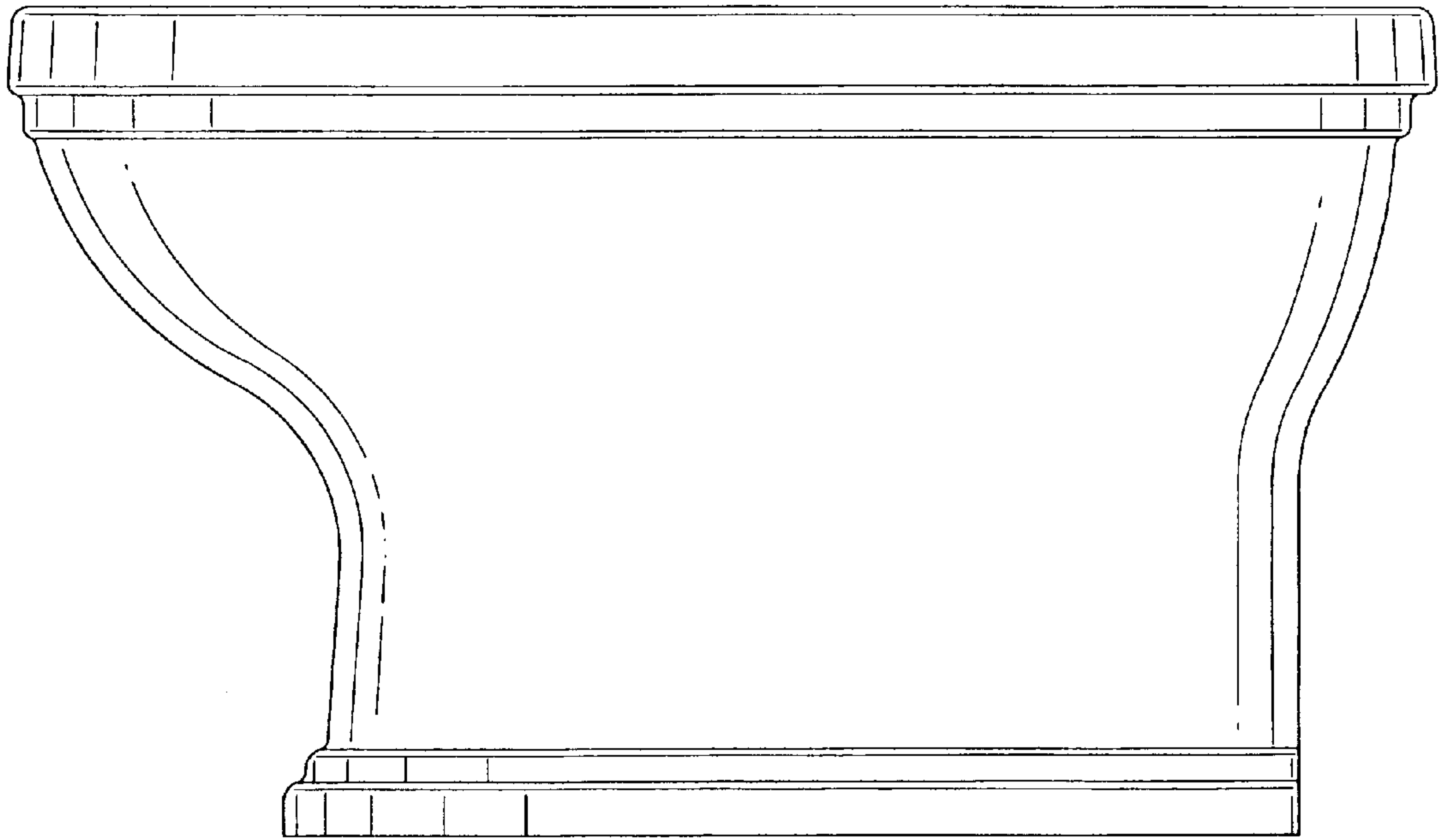


FIG. 7

