



US00D443344S

(12) **United States Design Patent**
Evans

(10) **Patent No.:** **US D443,344 S**

(45) **Date of Patent:** **** Jun. 5, 2001**

(54) **DRAINFIELD PIPE**

(75) Inventor: **Kelvin Todd Evans**, Orange City, FL (US)

(73) Assignee: **Dixie Septic Tank, Inc.**, Orange City, FL (US)

(**) Term: **14 Years**

(21) Appl. No.: **29/059,647**

(22) Filed: **Aug. 26, 1996**

(51) **LOC (7) Cl.** **23-01**

(52) **U.S. Cl.** **D23/266**

(58) **Field of Search** D23/262, 266;
138/106, 107, 109, 121; 285/5, 6

(56) **References Cited**

U.S. PATENT DOCUMENTS

D. 31,429 * 8/1899 Love D23/266
125,594 * 4/1872 Mayall 138/128

(List continued on next page.)

FOREIGN PATENT DOCUMENTS

1228469 * 11/1966 (DE) 138/107
609855 * 8/1994 (EP) 138/121
8607124 * 12/1986 (WO) 138/118

Primary Examiner—Ted Shooman

Assistant Examiner—C Tuttle

(74) *Attorney, Agent, or Firm*—Allen, Dyer, Doppelt, Milbrath & Gilchrist, P.A.

(57) **CLAIM**

The ornamental design for a drainfield pipe, as shown and described.

DESCRIPTION

This application is related to copending application Ser. No. 08/464,971 filed Jun. 5, 1995, issuing as U.S. Patent No. 5,549,415, commonly owned with the present invention.

FIG. 1 is a top, left and front perspective view of a drainfield pipe showing my new design;

FIG. 2 is a rear elevational view thereof;

FIG. 3 is a front elevational view thereof;

FIG. 4 is a right side elevational view thereof;

FIG. 5 is a left side elevational view thereof;

FIG. 6 is a top plan view thereof;

FIG. 7 is a bottom plan view thereof;

FIG. 8 is a top, left and front perspective view of a second embodiment thereof;

FIG. 9 is a rear elevational view of FIG. 8;

FIG. 10 is a front elevational view of FIG. 8;

FIG. 11 is a right side elevational view of FIG. 8;

FIG. 12 is a left side elevational view of FIG. 8;

FIG. 13 is a top plan view of FIG. 8;

FIG. 14 is a bottom plan view of FIG. 8;

FIG. 15 is a top, left and front perspective view of a third embodiment of FIG. 1;

FIG. 16 is a right side elevational view of FIG. 15, the left side elevational being a mirror image thereof the remaining sides appearing the same as the second embodiment except for the differences in the longitudinal rib as seen in the views presented;

FIG. 17 a top, left and front perspective view of a fourth embodiment of FIG. 1;

FIG. 18 is a rear elevational view of FIG. 17;

FIG. 19 is a front elevational view of FIG. 17;

FIG. 20 is a right side elevational view of FIG. 17;

FIG. 21 is a left side elevational view of FIG. 17;

FIG. 22 is a top plan view of FIG. 17;

FIG. 23 is a bottom plan view of FIG. 17;

FIG. 24 is a top, left and front perspective view of a fifth embodiment of FIG. 1;

FIG. 25 a front elevational view of FIG. 24;

FIG. 26 is a rear elevational view of FIG. 24;

FIG. 27 is a right side elevational view of FIG. 24;

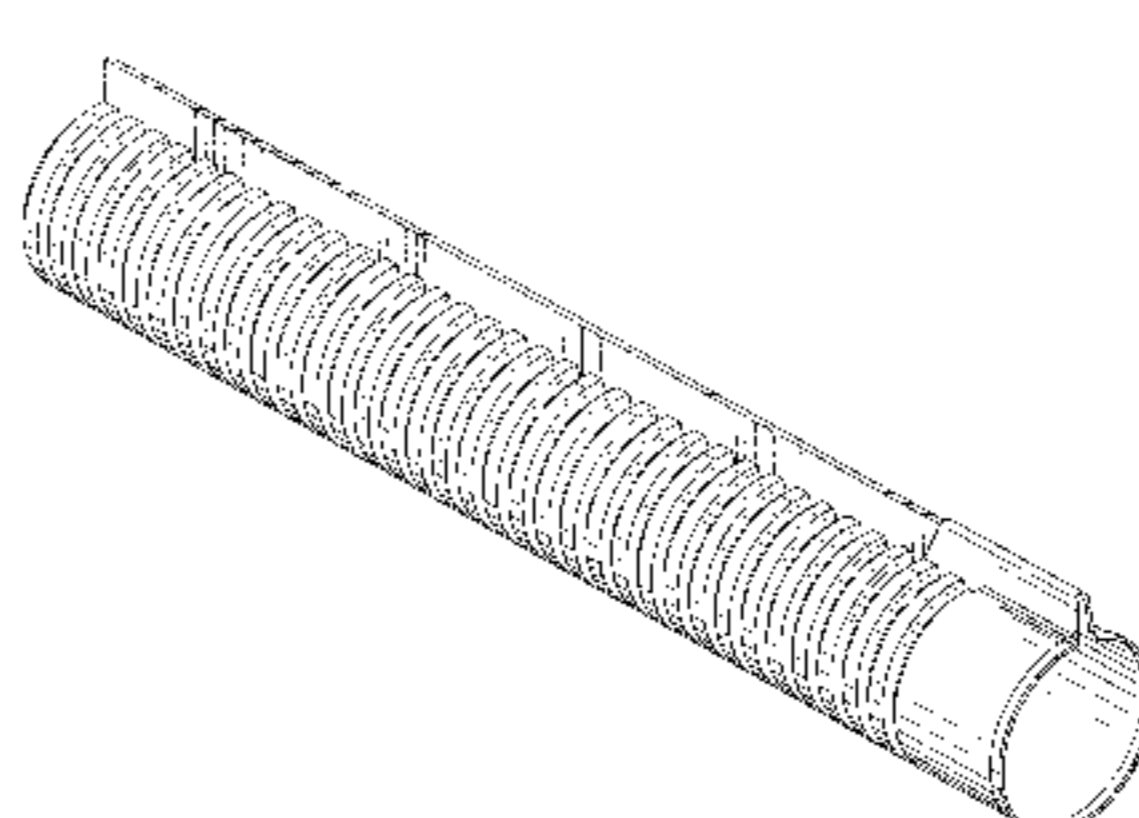
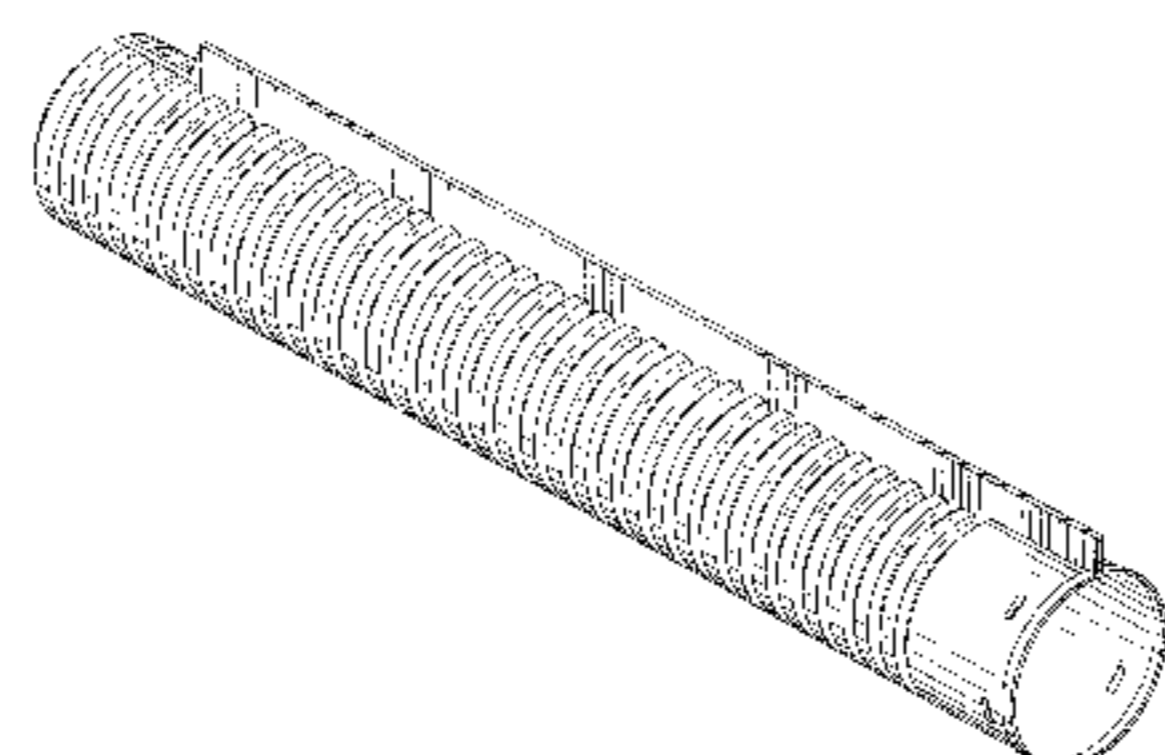
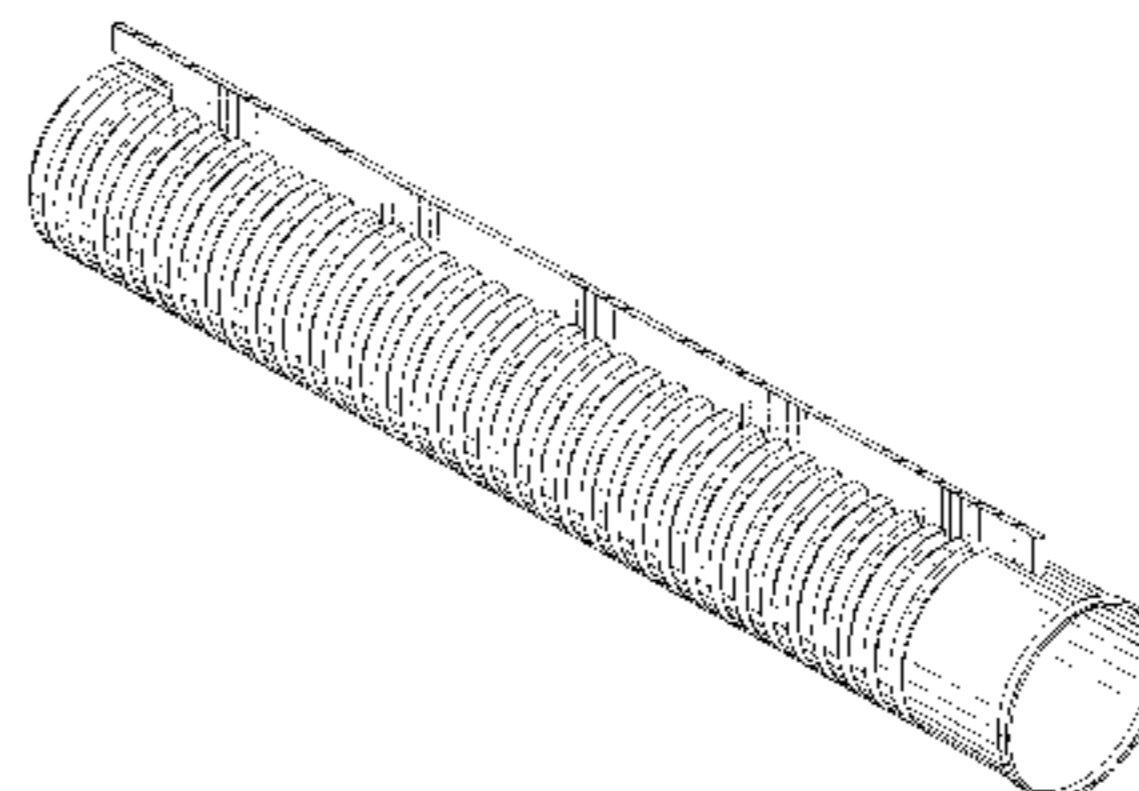
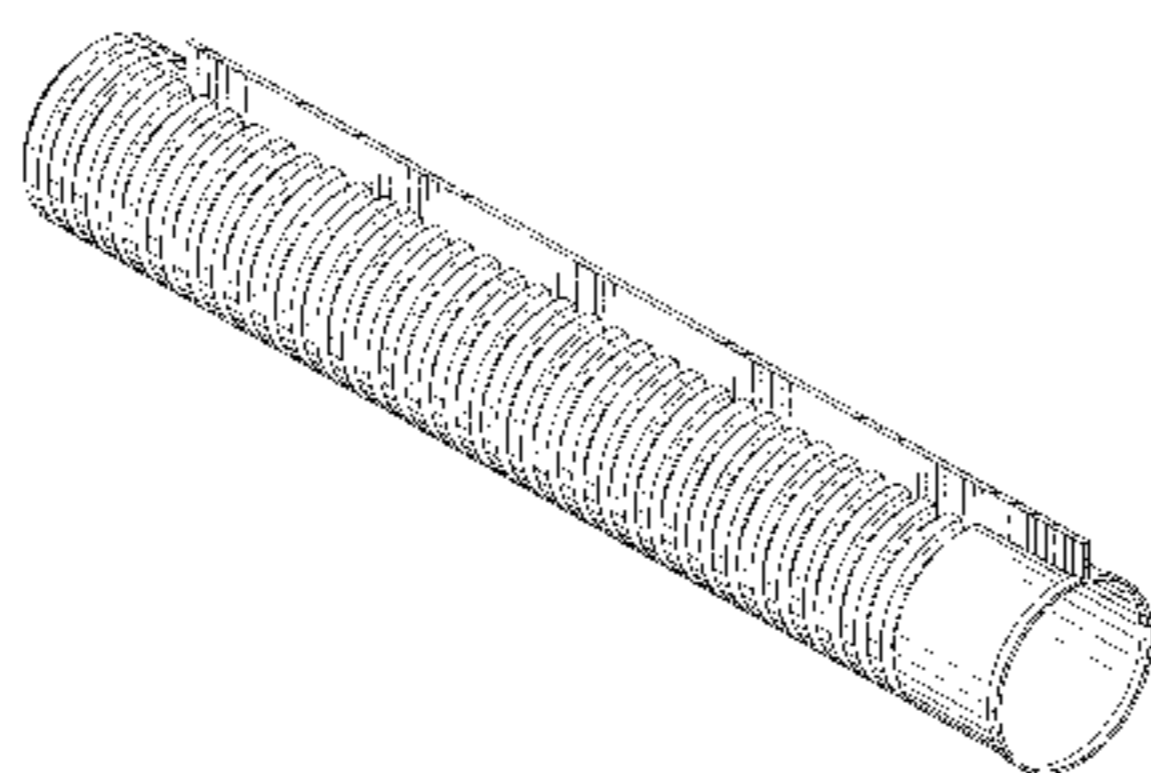
FIG. 28 is a left side elevational view of FIG. 24;

FIG. 29 is a top plan view of FIG. 24; and,

FIG. 30 is a bottom plan view of FIG. 24.

The broken line showing of pipe wall perforations in FIGS. 24, 27, 28, and 30 is for illustrative purposes only and forms no part on the claimed design.

1 Claim, 9 Drawing Sheets



US D443,344 S

Page 2

U.S. PATENT DOCUMENTS

1,060,870	5/1913	Wiley .		4,090,686	5/1978	Yarbrough .	
1,169,689	1/1916	Smith .		4,126,012	11/1978	Waller .	
1,596,418	*	8/1926 Evans	138/107	4,140,422	2/1979	Crumpler, Jr. et al. .	
2,007,999	*	7/1935 Brown	138/107	4,163,619	8/1979	Fales .	
2,013,724	*	9/1935 Brady	138/107	4,182,581	1/1980	Uehara et al. .	
2,091,265	*	8/1937 Brown	138/107	4,268,189	5/1981	Good .	
2,143,960	*	1/1939 Stalter et al.	138/110	4,425,172	1/1984	Schirmer .	
2,748,804	*	6/1956 Guarnaschelli	285/114	4,470,433	*	9/1984 Vipond et al.	138/106
3,060,693		10/1962 Taylor .		4,588,325	5/1986	Seefert .	
3,323,552	*	6/1967 Whitehead, Jr.	132/120	4,681,684	7/1987	Maroschak et al. .	
3,403,519		10/1968 Balko .		4,878,781	11/1989	Gregory et al. .	
3,441,140		4/1969 Thurber .		4,966,741	*	10/1990 Rush et al.	138/174 X
3,446,025		5/1969 Koch .		5,015,123	5/1991	Houck et al. .	
3,451,136		6/1969 Shuttle .		5,082,028	*	1/1992 Jean-Jacques	138/120 X
3,568,455		3/1971 McLaughlin et al. .		5,226,456	7/1993	Semak .	
3,695,643	*	10/1972 Schmunk	285/156	5,242,247	9/1993	Murphy .	
3,714,786		2/1973 Evans et al. .		5,383,314	1/1995	Rothberg .	
3,823,825		7/1974 Bergles et al. .		5,417,460	*	5/1995 Lunder	285/253
3,897,090	*	7/1975 Maroschak	405/49 X	5,429,397	*	7/1995 Kanao	138/109 X
4,006,599		2/1977 Hegler et al. .		5,549,415	8/1996	Evans .	
4,019,326		4/1977 Haveling et al. .		5,609,713	*	3/1997 Kime et al.	138/109 X
4,043,139		8/1977 Scott .					

* cited by examiner

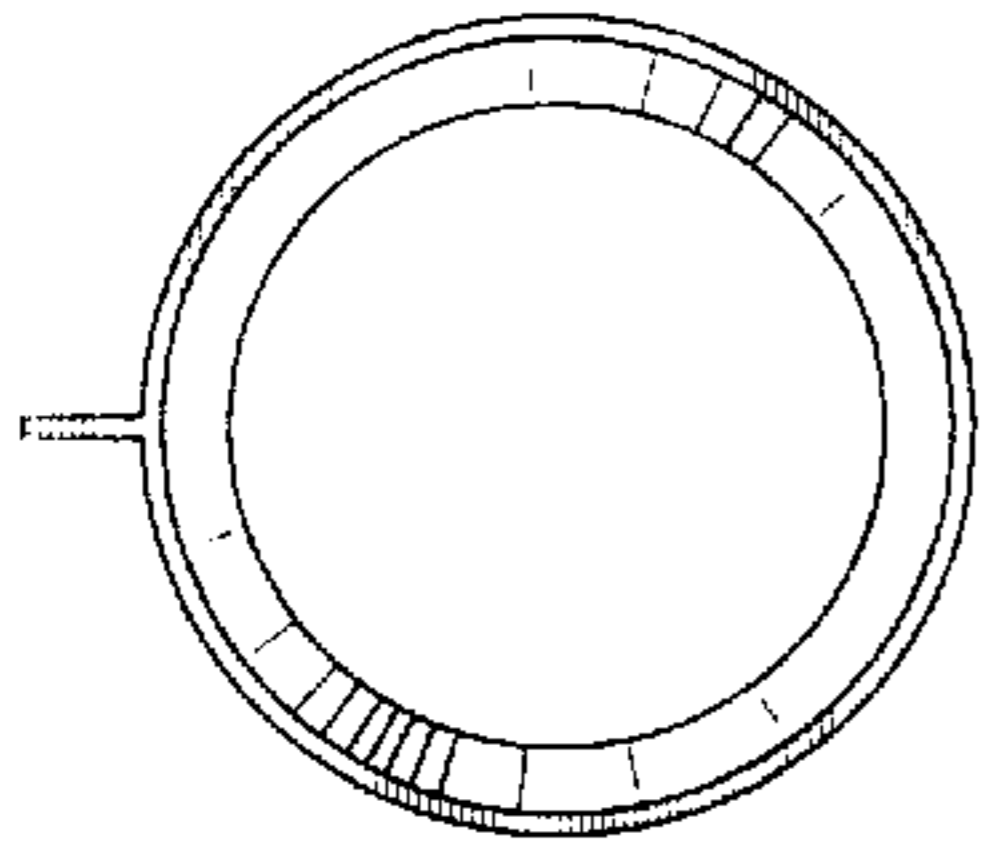


FIG. 3.

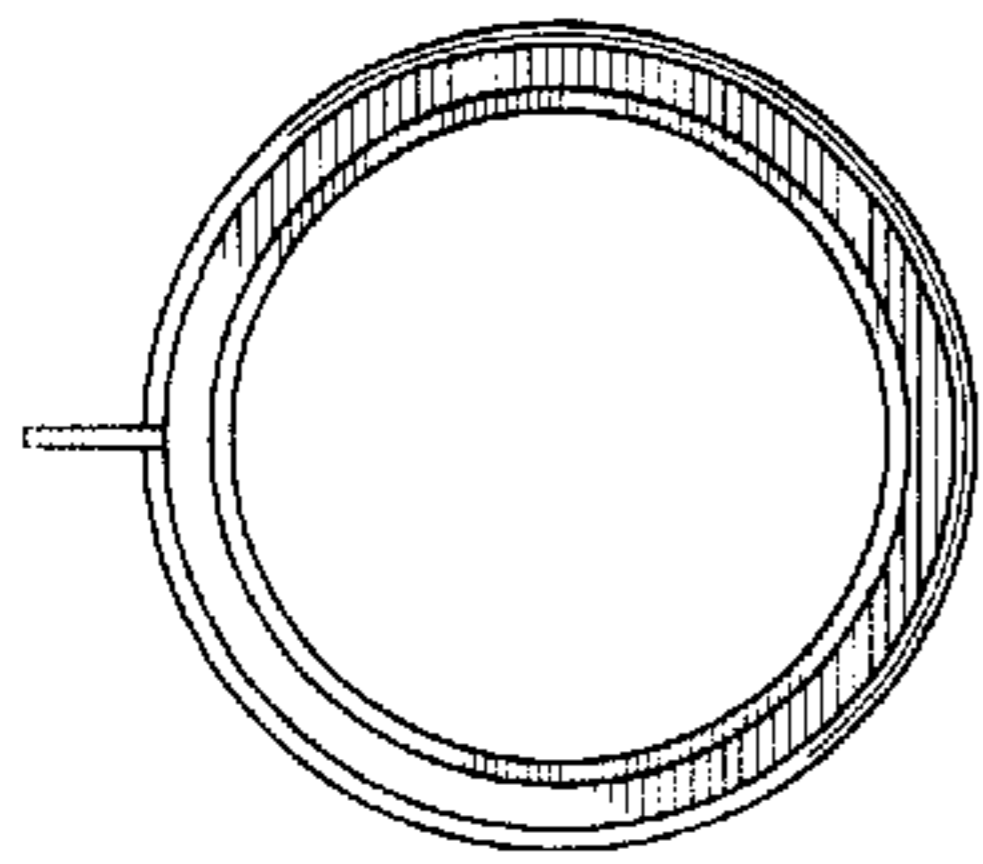


FIG. 2.

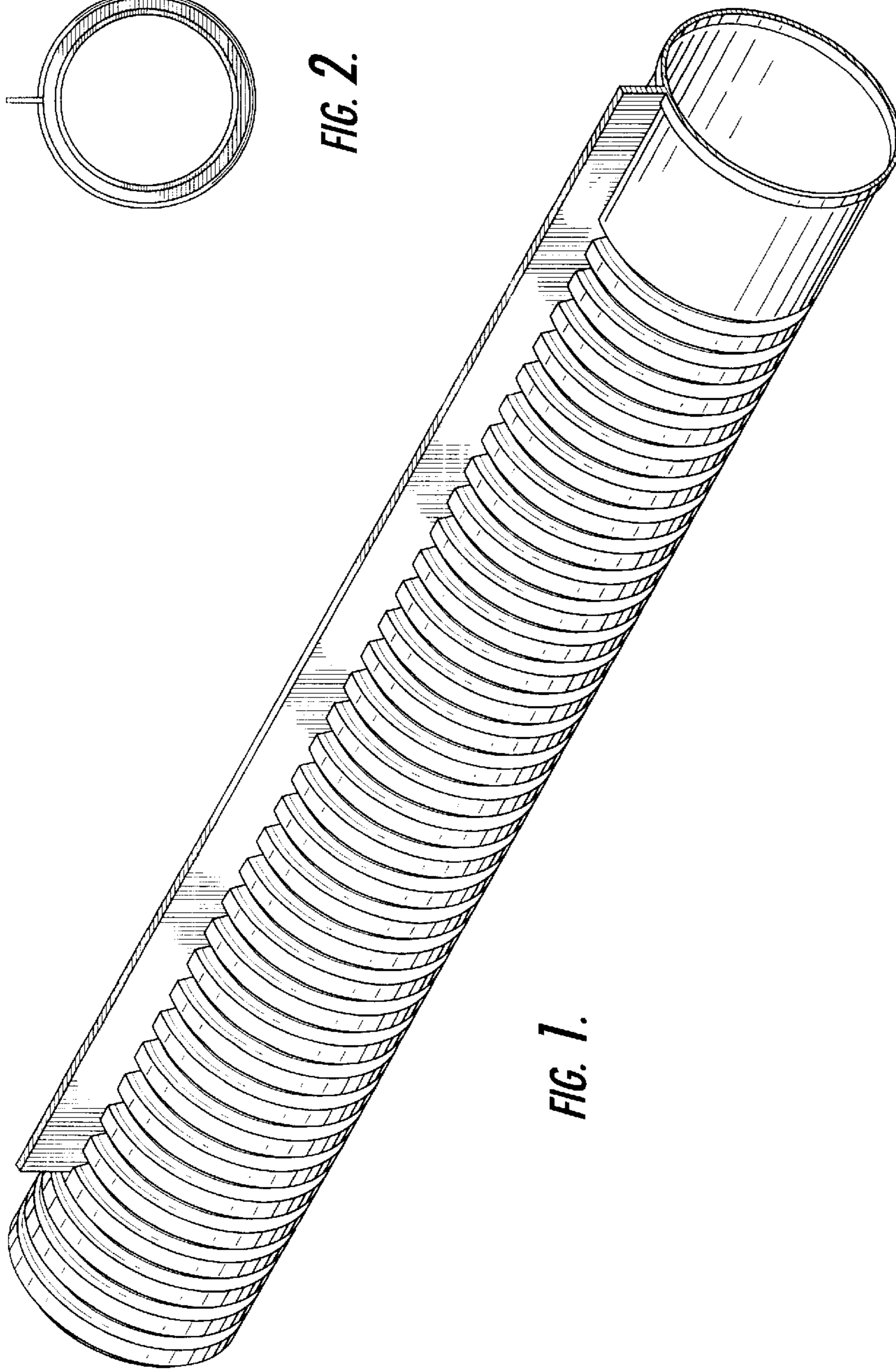


FIG. 1.

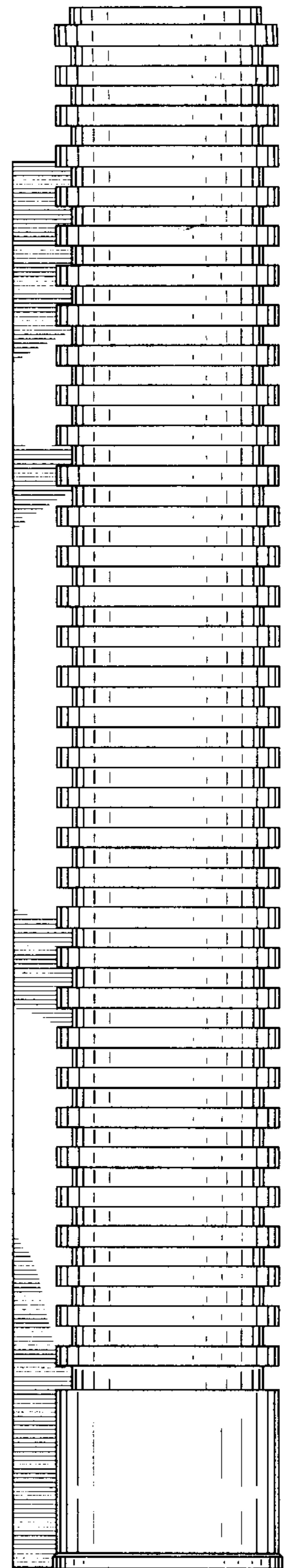


FIG. 4.

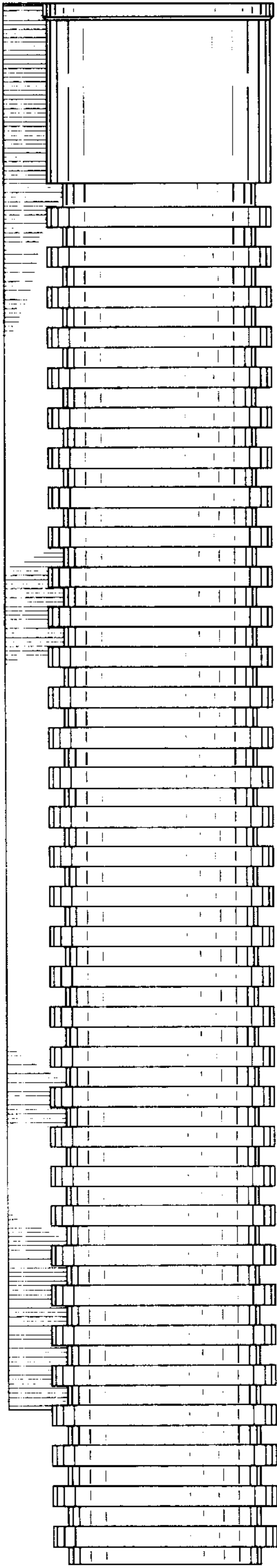


FIG. 5.

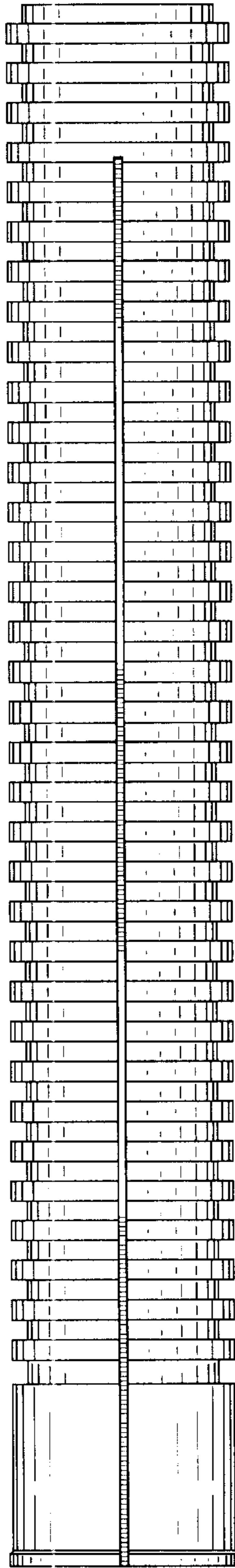


FIG. 6.

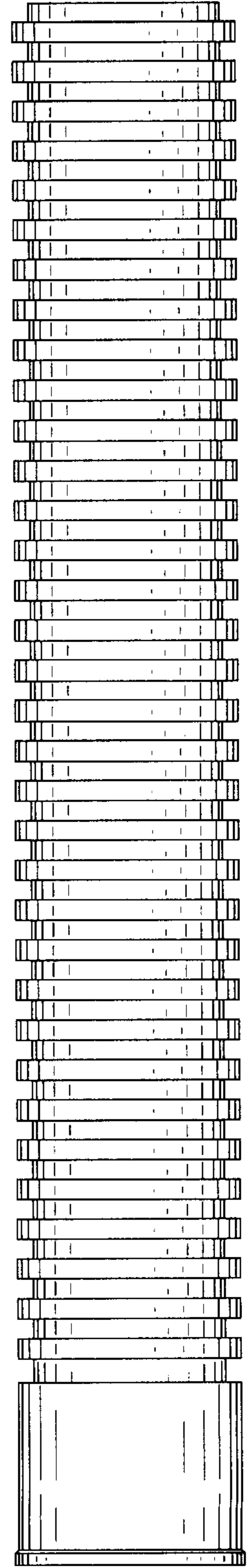


FIG. 7.

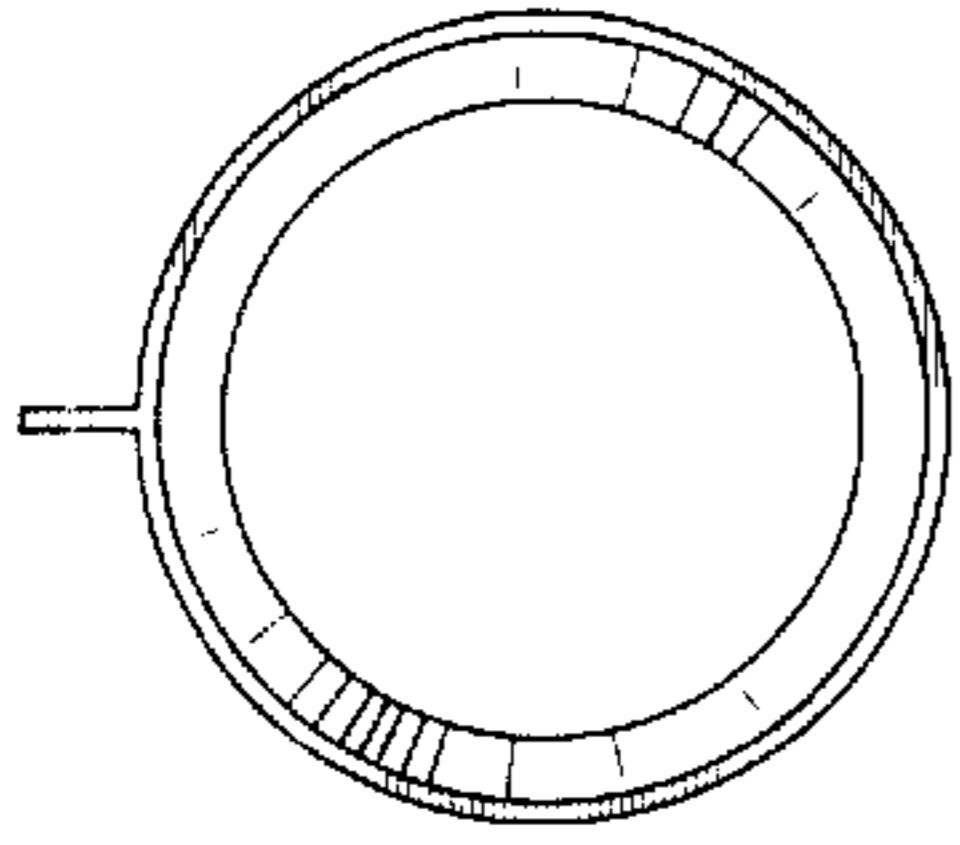


FIG. 9.

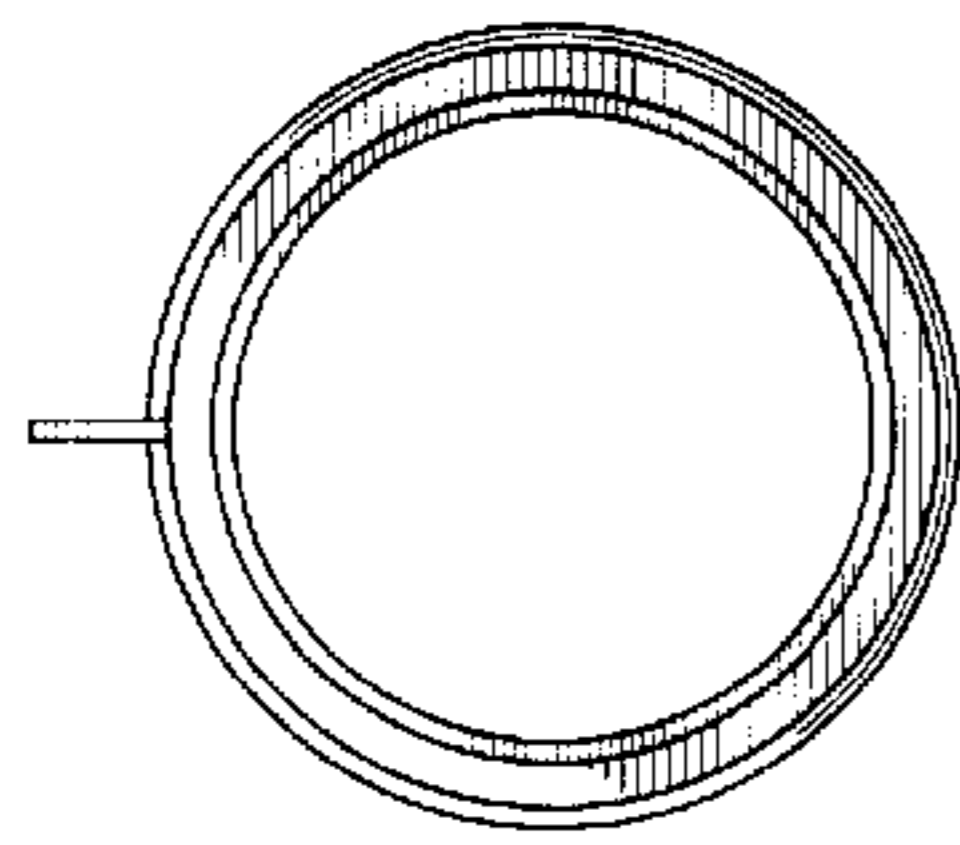


FIG. 10.

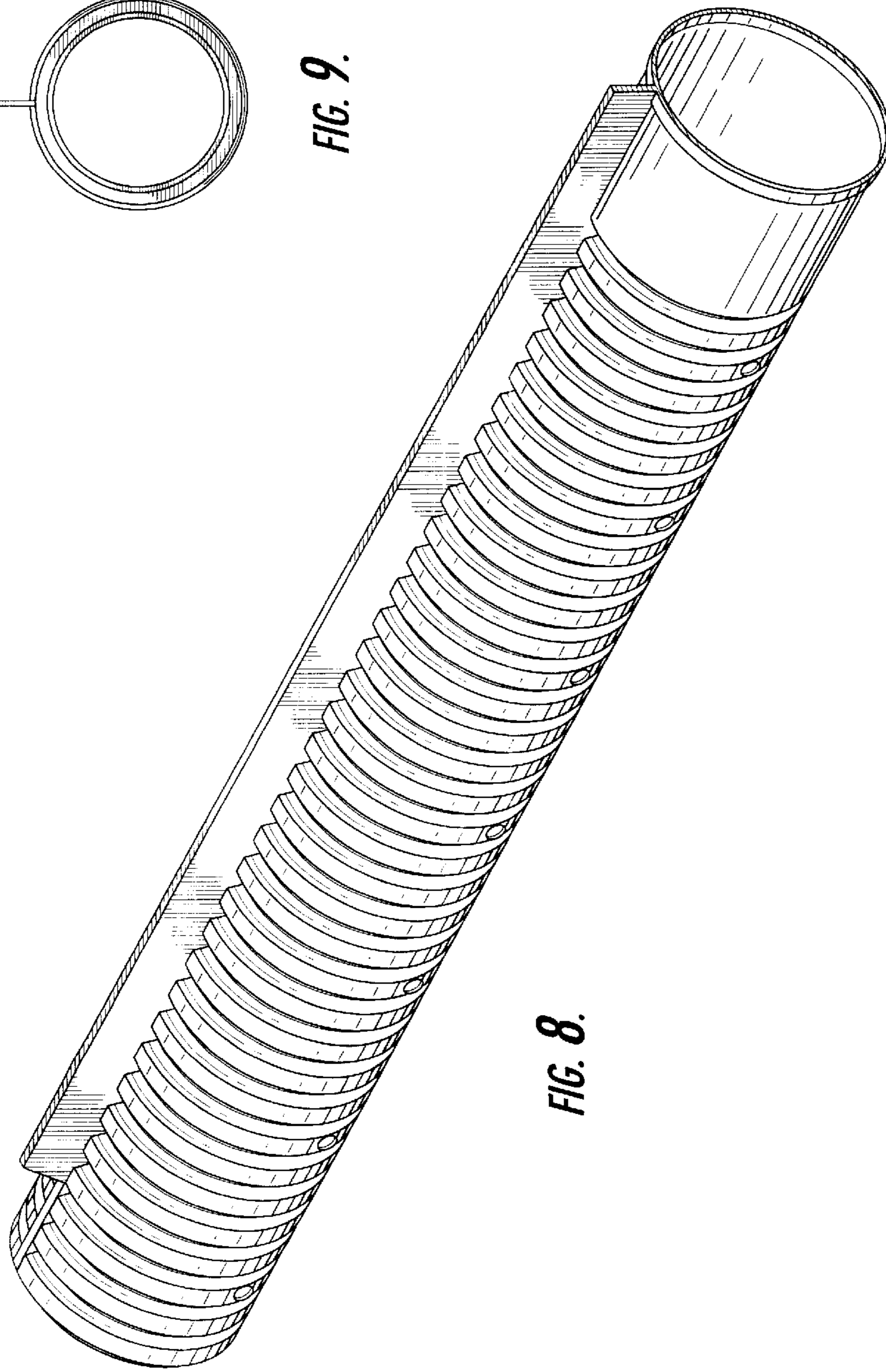


FIG. 8.

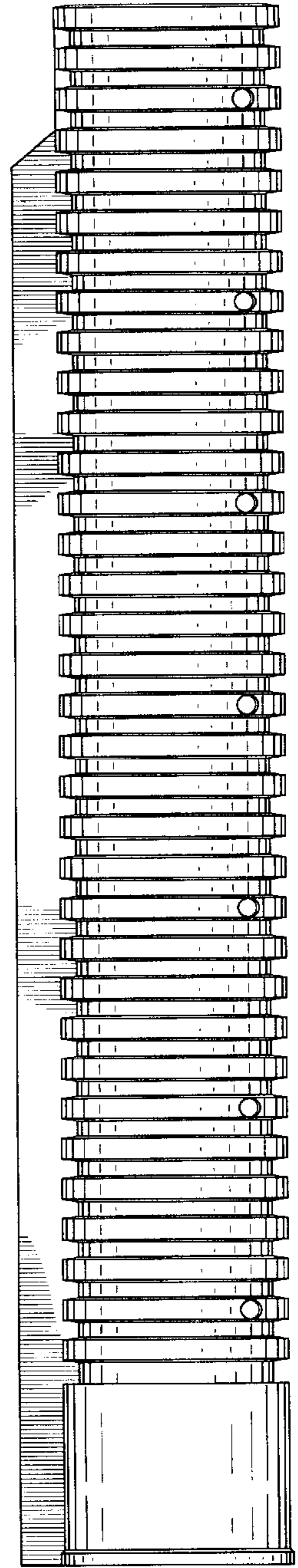


FIG. 11.

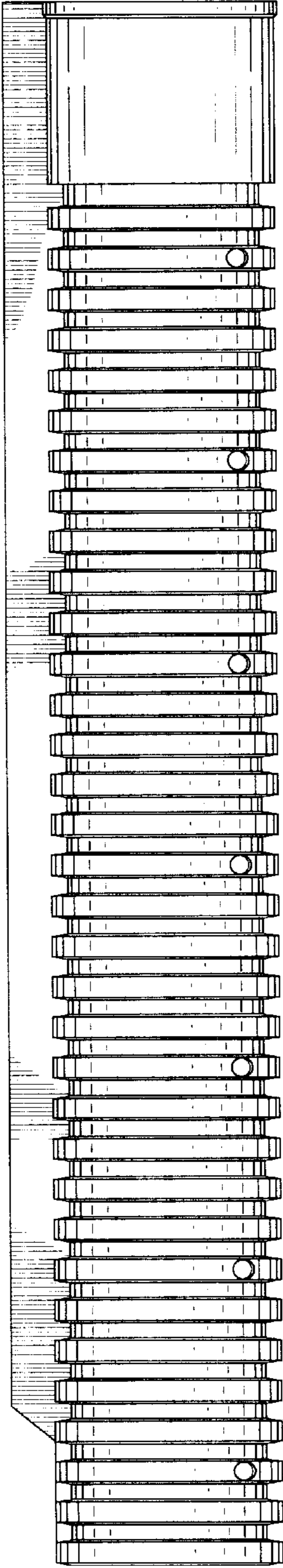


FIG. 12.

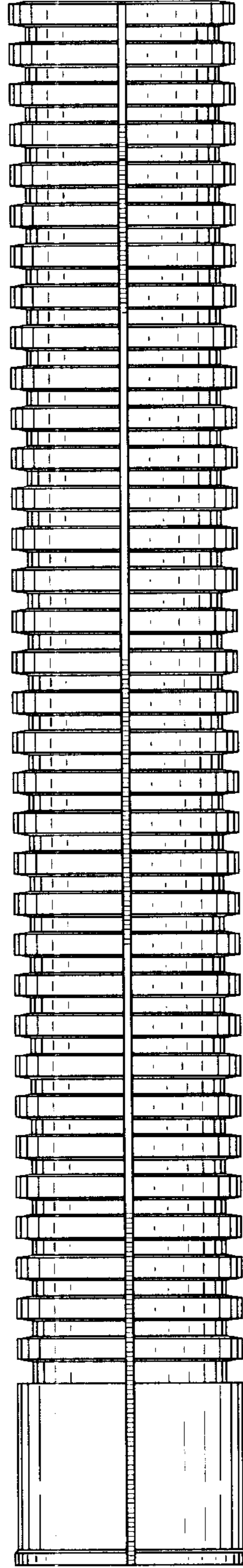


FIG. 13.

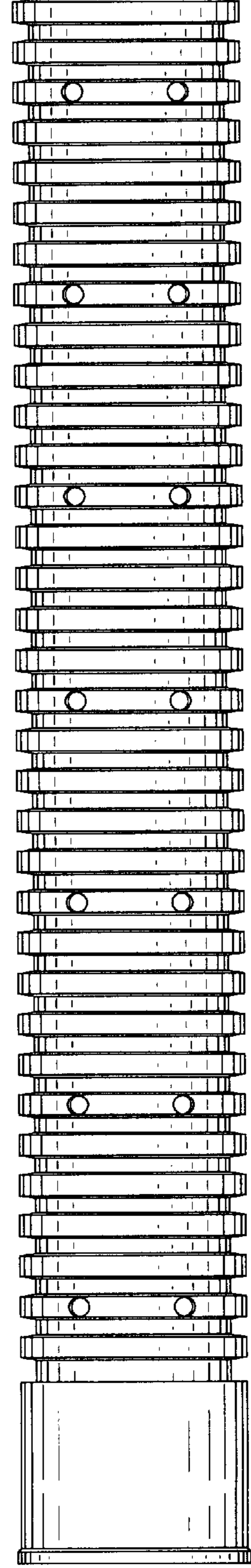


FIG. 14.

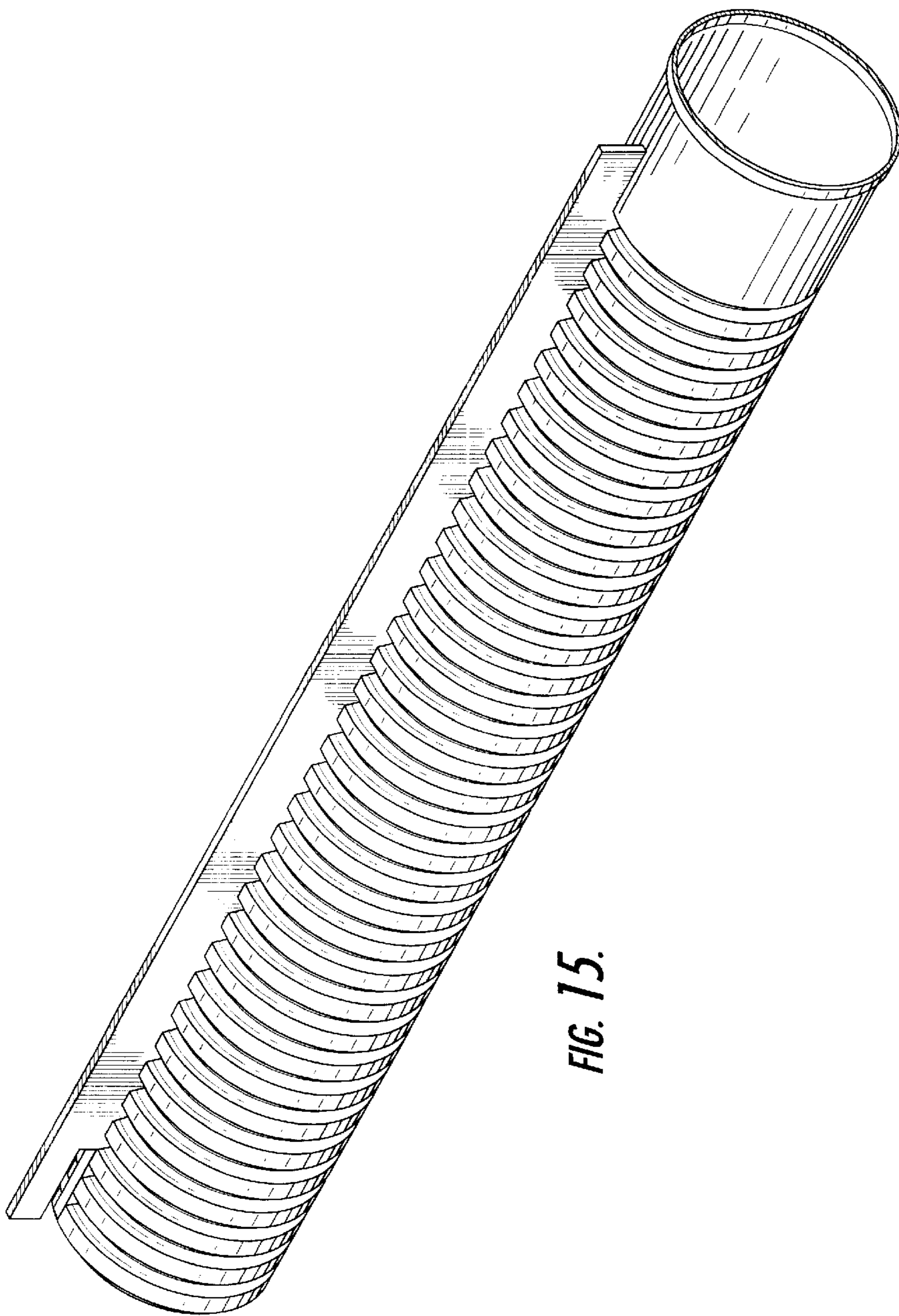


FIG. 15.

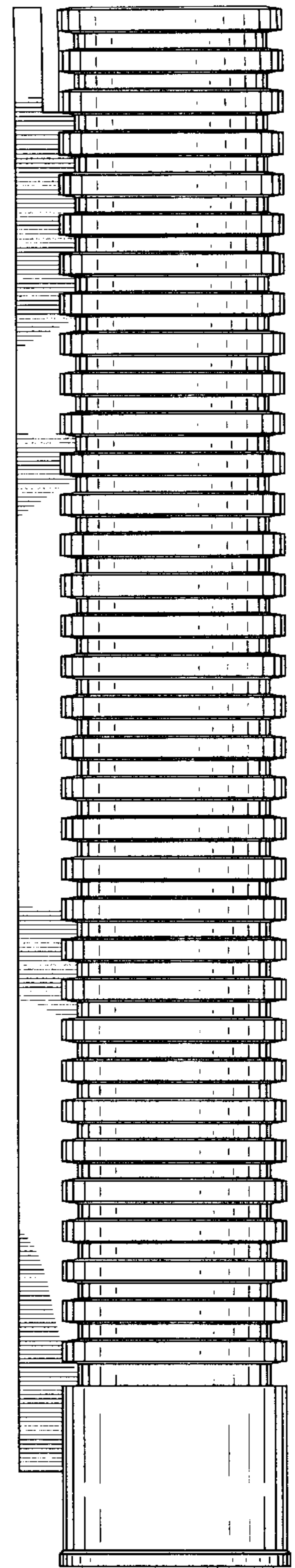


FIG. 16.

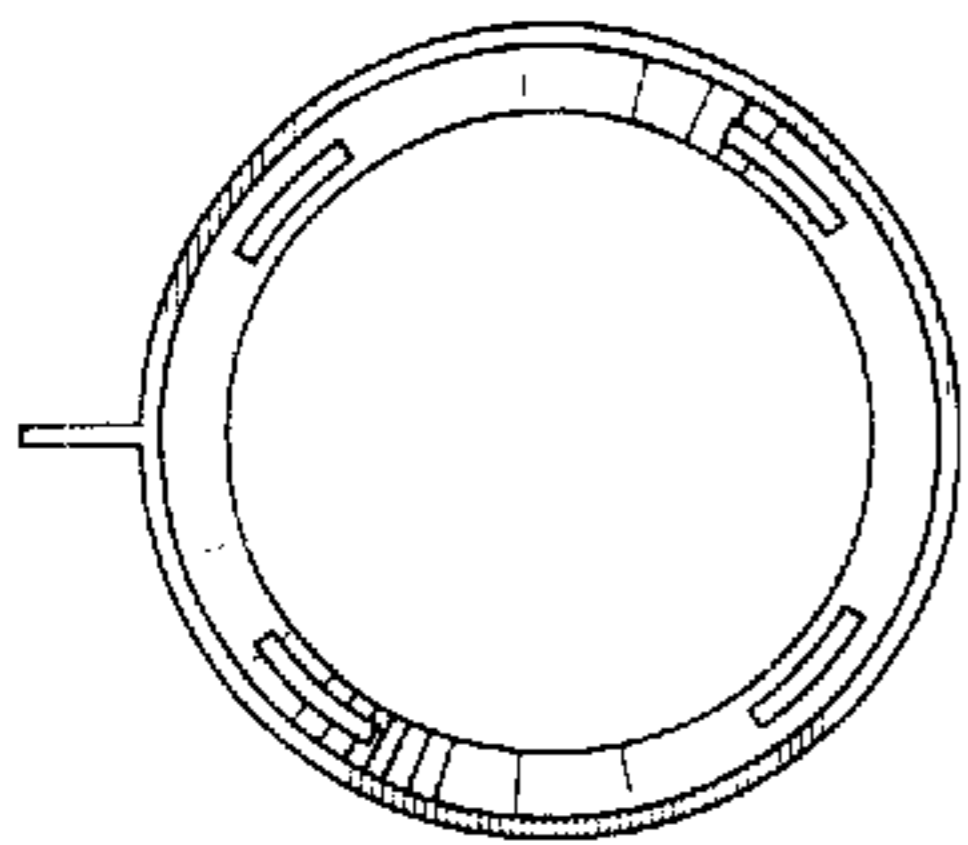


FIG. 18.

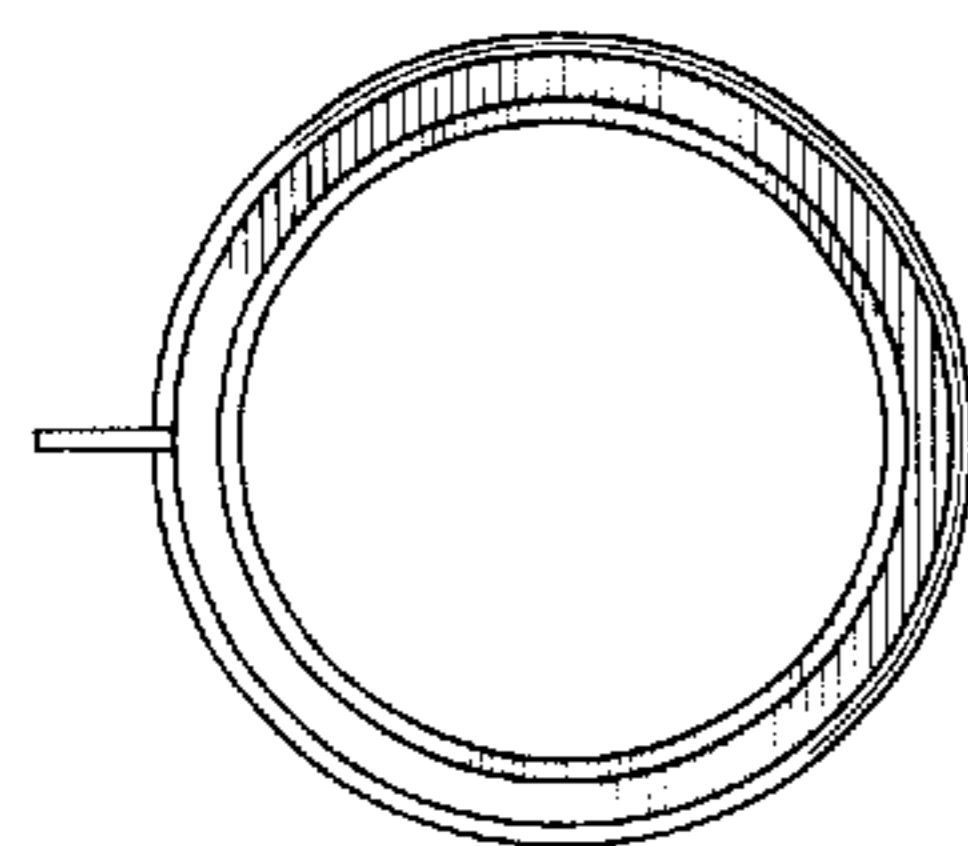


FIG. 19.

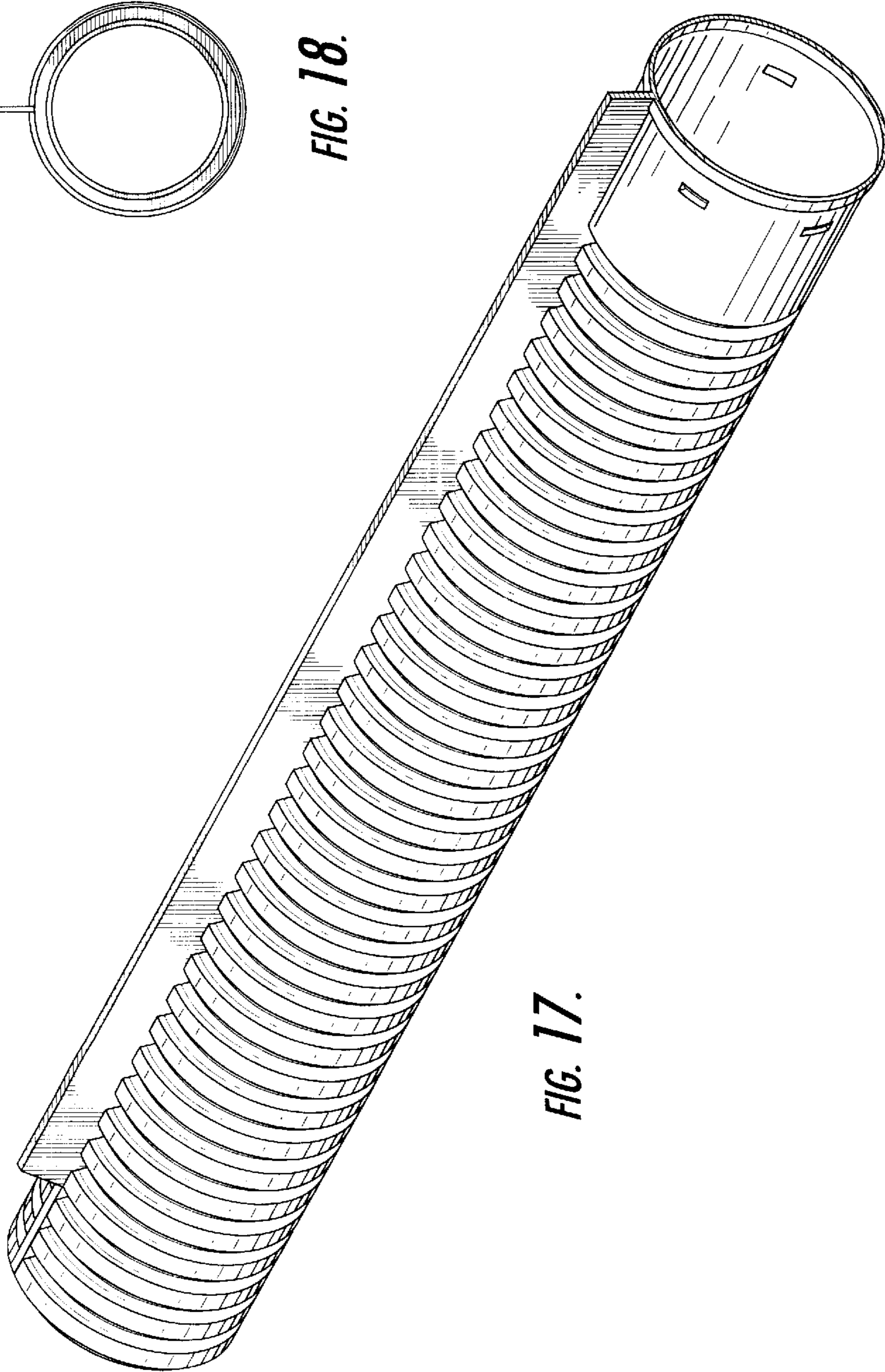


FIG. 17.

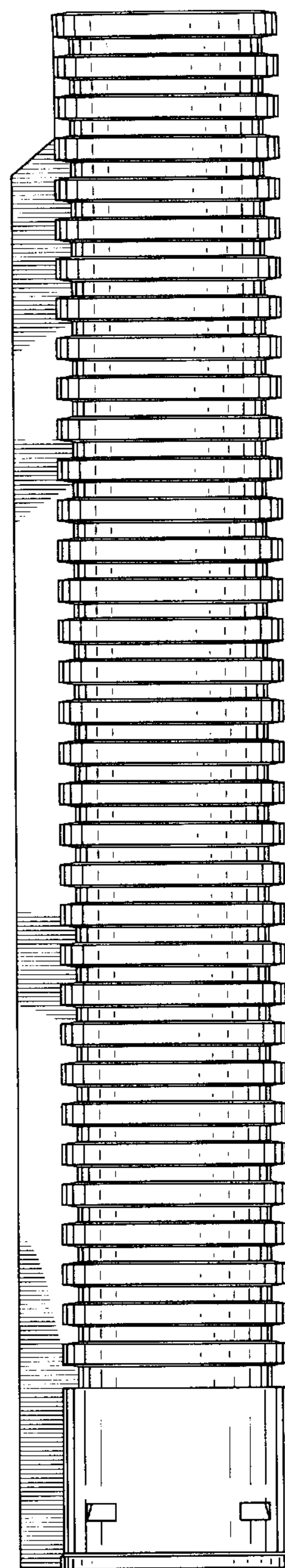


FIG. 20.

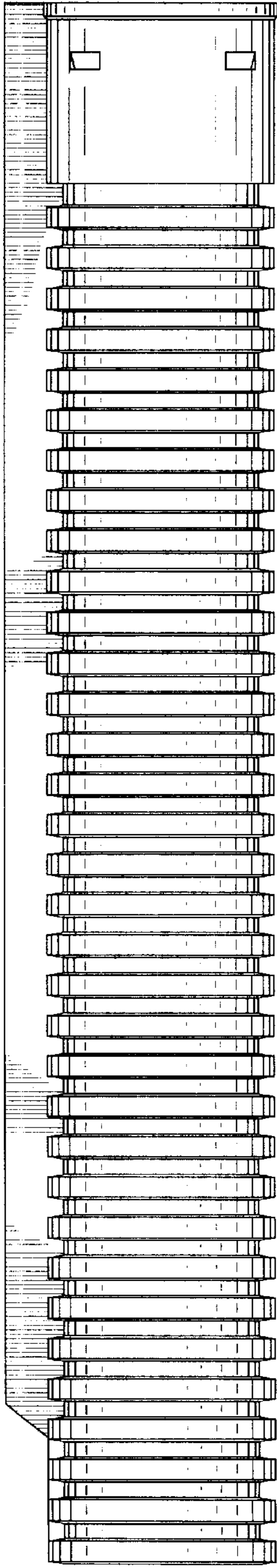


FIG. 21.

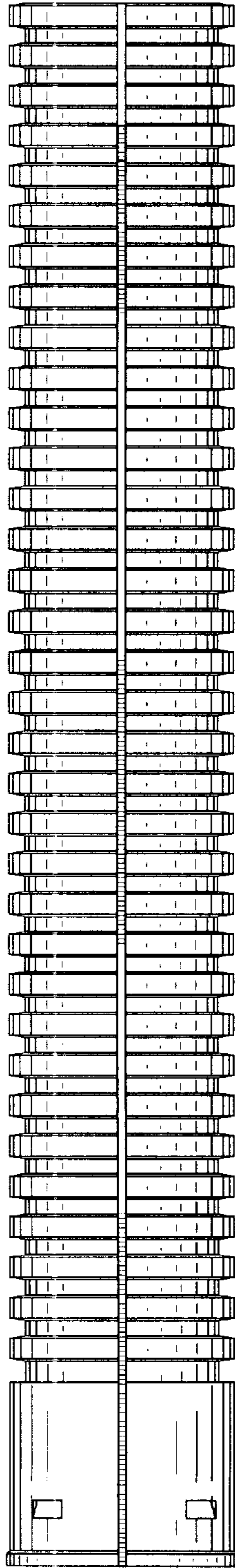


FIG. 22.

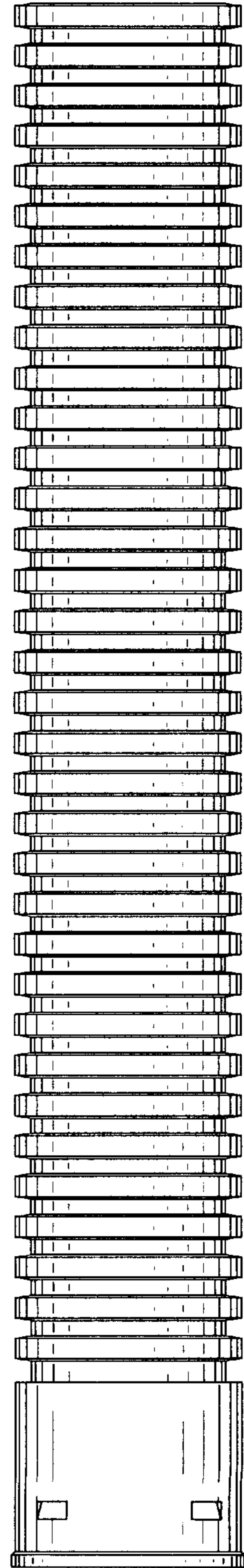


FIG. 23.

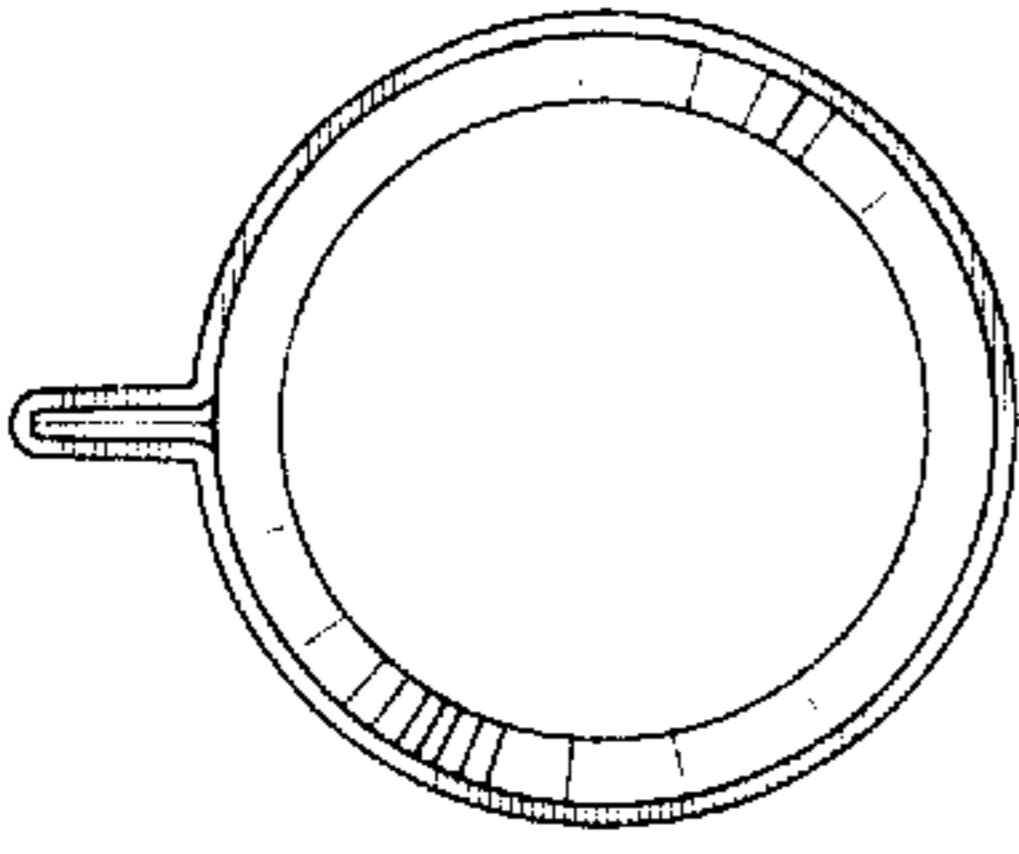


FIG. 25.

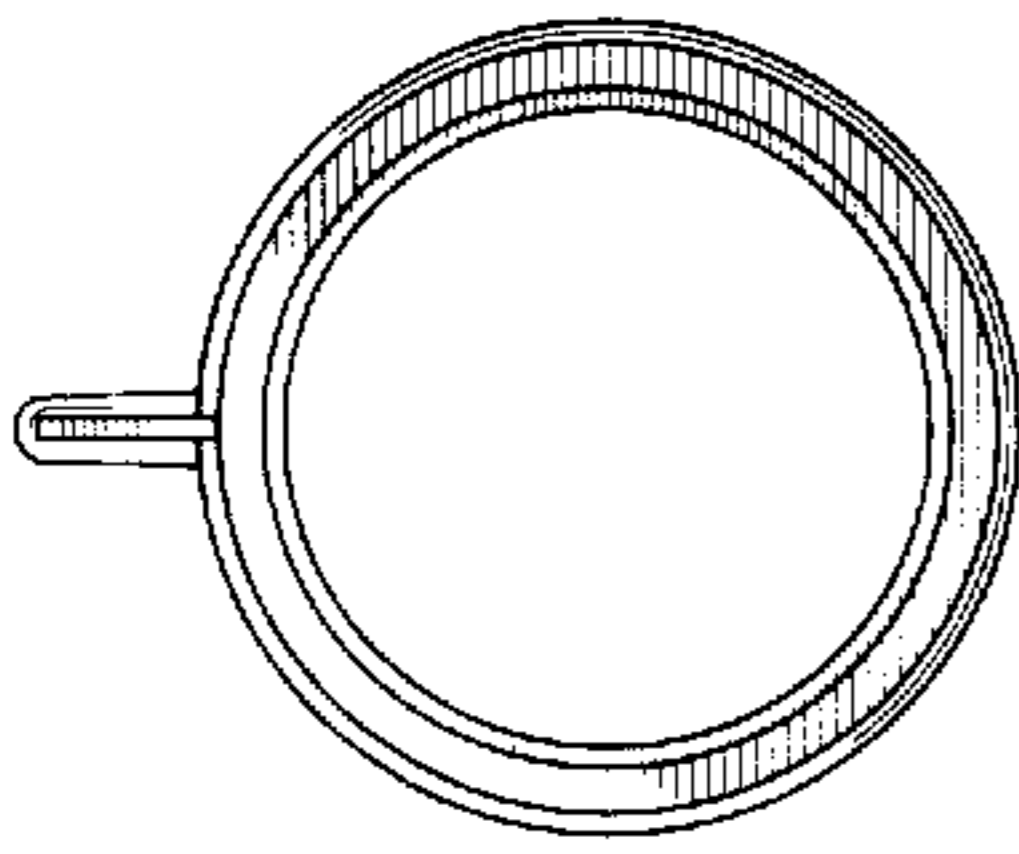


FIG. 26.

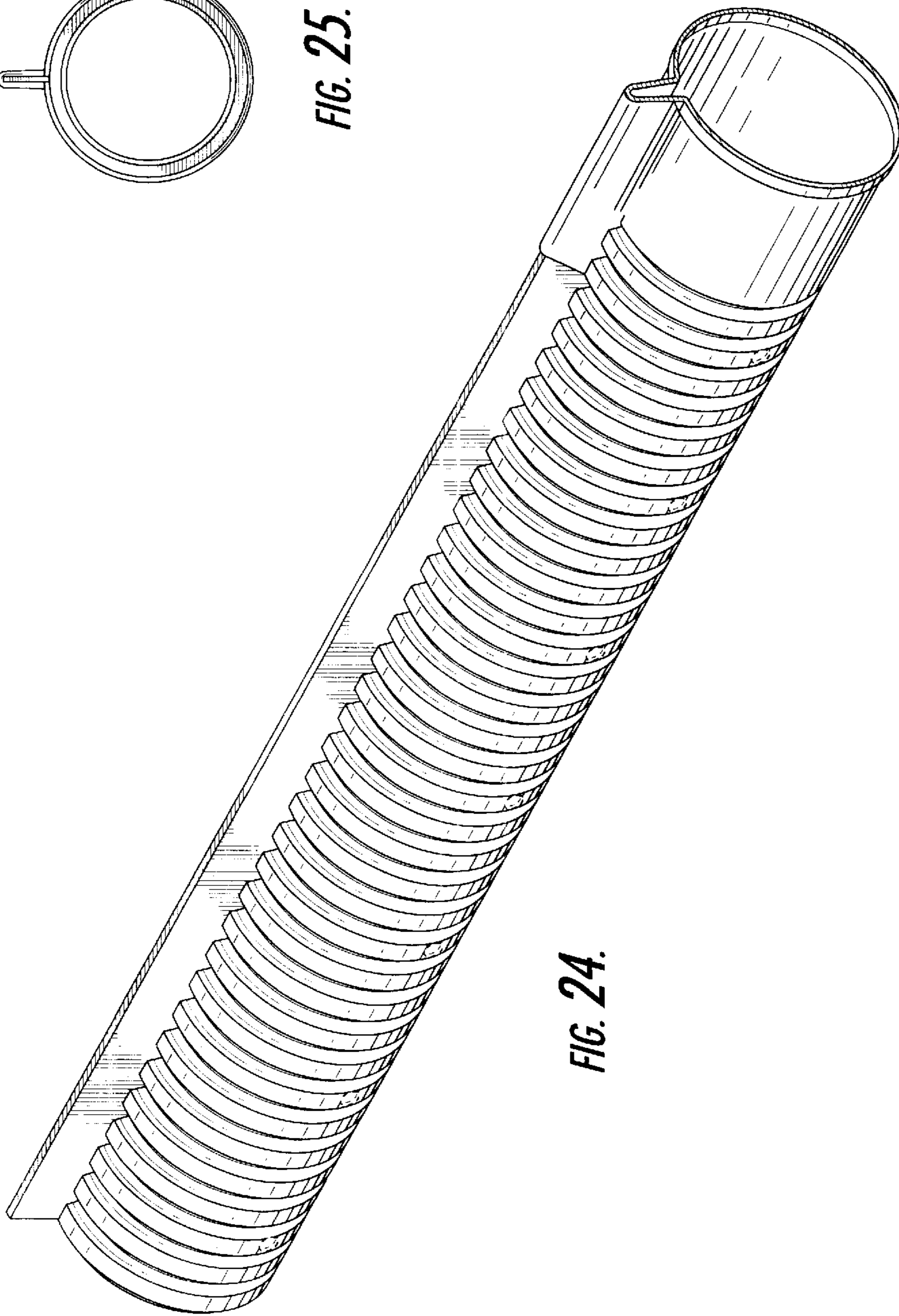


FIG. 24.

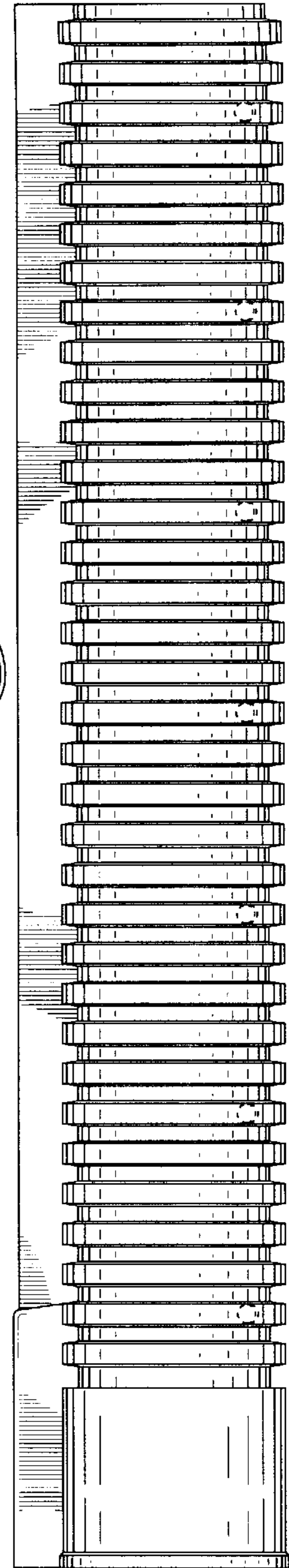


FIG. 27.

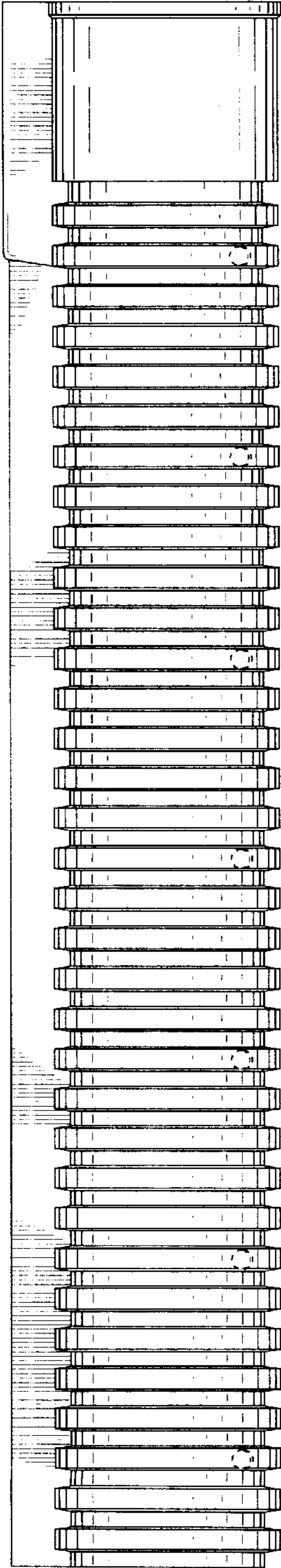


FIG. 28.

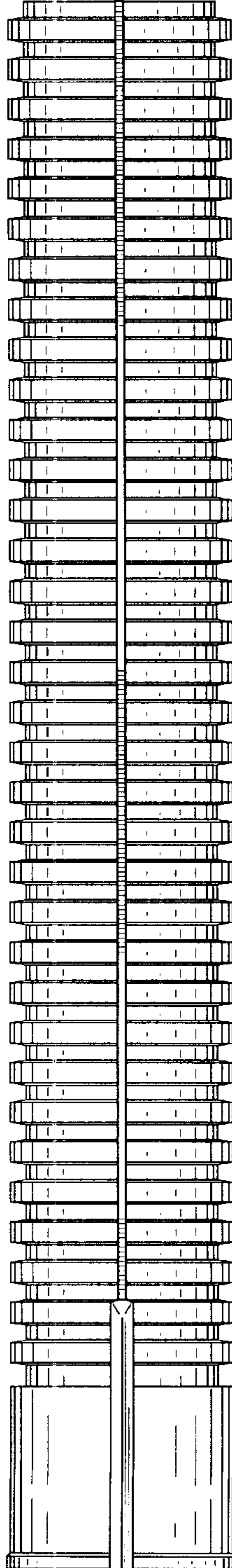


FIG. 29.

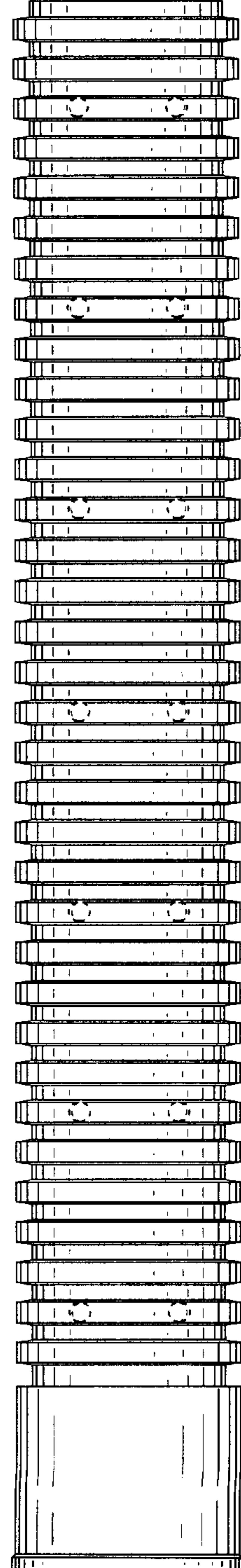


FIG. 30.