



US00D443343S

(12) **United States Design Patent**
Chien

(10) **Patent No.:** **US D443,343 S**

(45) **Date of Patent:** **** Jun. 5, 2001**

(54) **HOSE END FINISHER**

(76) Inventor: **Ming-Hsun Chien**, PO Box 82-144,
Taipei (TW)

(**) Term: **14 Years**

(21) Appl. No.: **29/117,498**

(22) Filed: **Jan. 28, 2000**

(51) **LOC (7) Cl.** **23-01**

(52) **U.S. Cl.** **D23/265**

(58) **Field of Search** D23/259, 262,
D23/265; D8/396, 397; 24/279; 285/251,
252, 253; 411/372, 910

(56) **References Cited**

U.S. PATENT DOCUMENTS

- D. 207,276 * 3/1967 Nigon D8/396
- D. 251,676 * 4/1979 Fouts D23/265
- D. 251,918 * 5/1979 Fouts D23/265
- D. 254,802 * 4/1980 Hayes D23/262

- D. 310,556 * 9/1990 Russell D23/265
- 2,797,474 * 7/1957 Main, Jr. D23/262

* cited by examiner

Primary Examiner—Robin V. Taylor
(74) *Attorney, Agent, or Firm*—A & J

(57) **CLAIM**

The ornamental design for a hose end finisher, as shown and described.

DESCRIPTION

FIG. 1 is a perspective view of a hose end finisher showing my new design.

FIG. 2 is a rear side elevation view thereof;

FIG. 3 is a front side elevation view thereof;

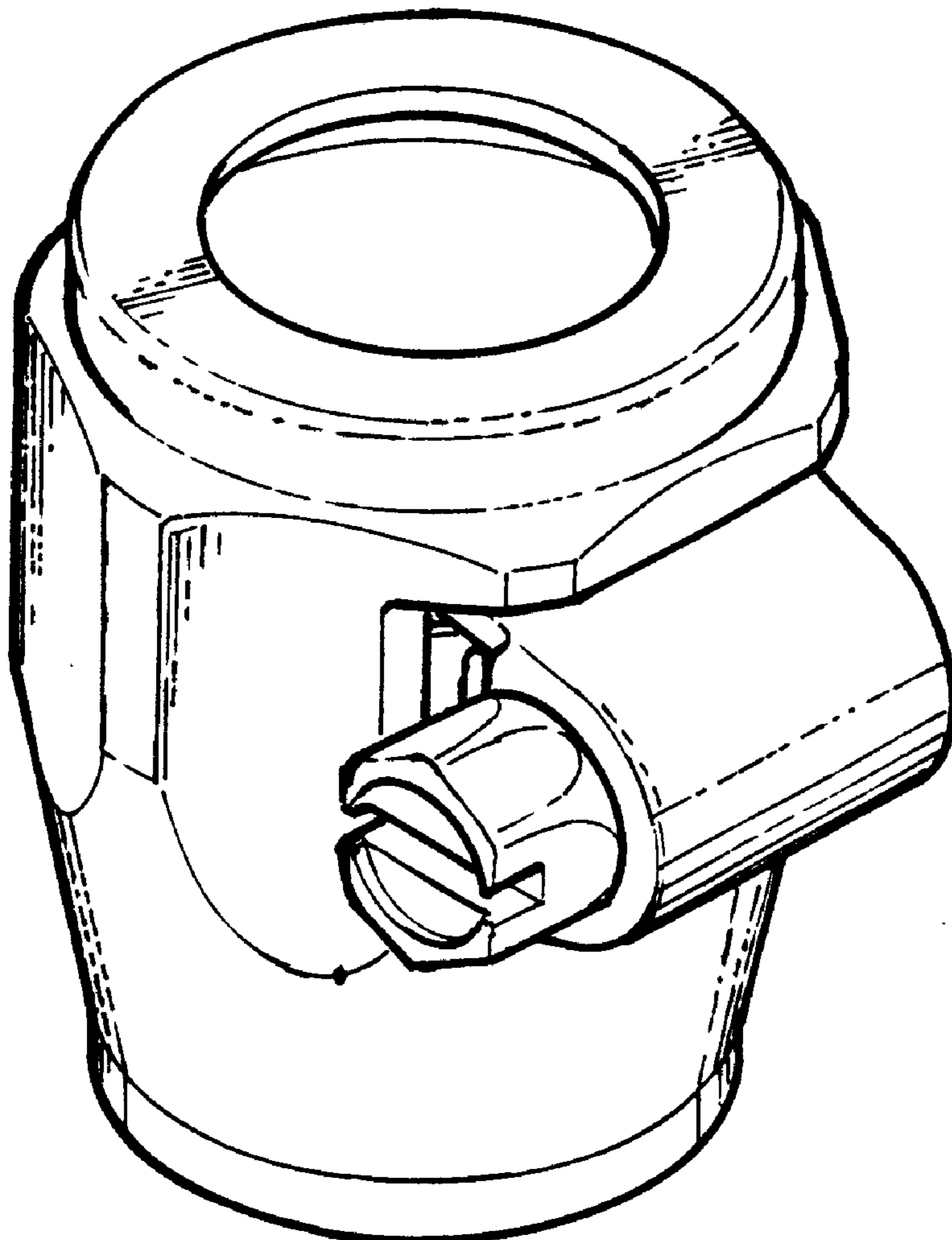
FIG. 4 is a right side elevation view thereof;

FIG. 5 is a left side elevation view thereof;

FIG. 6 is a top plan view thereof; and,

FIG. 7 is a bottom plan view thereof.

1 Claim, 4 Drawing Sheets



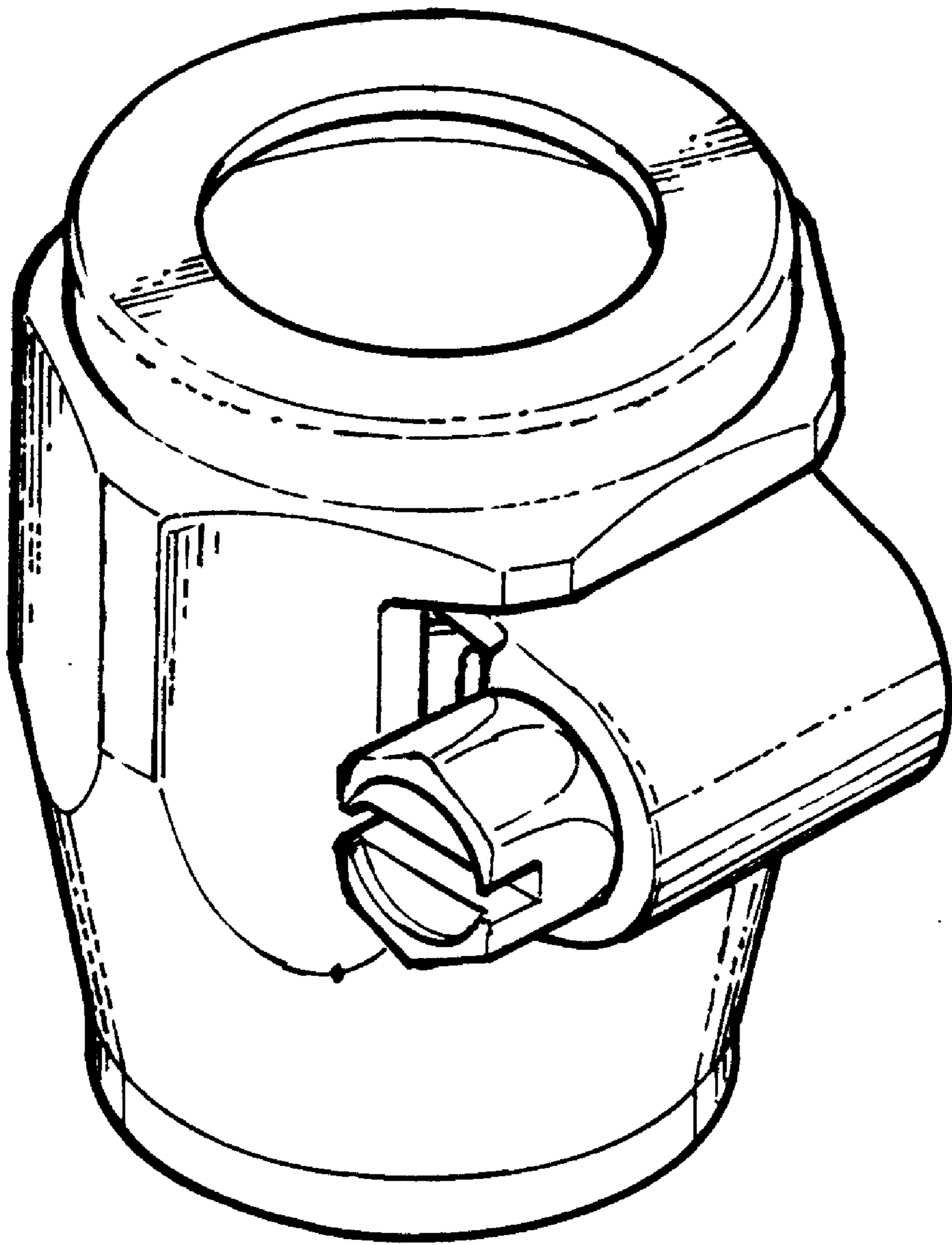


FIG. 1

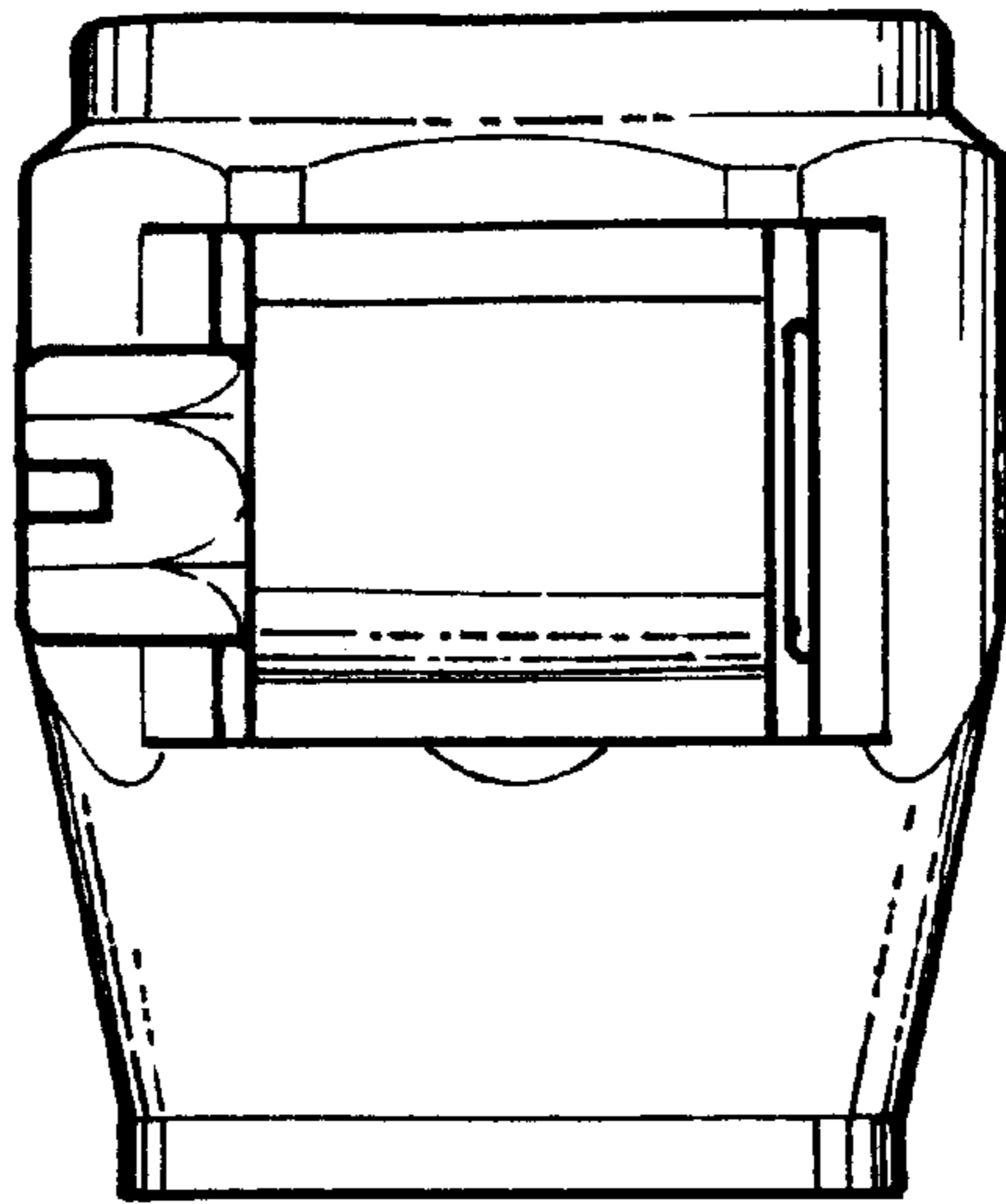


FIG. 3

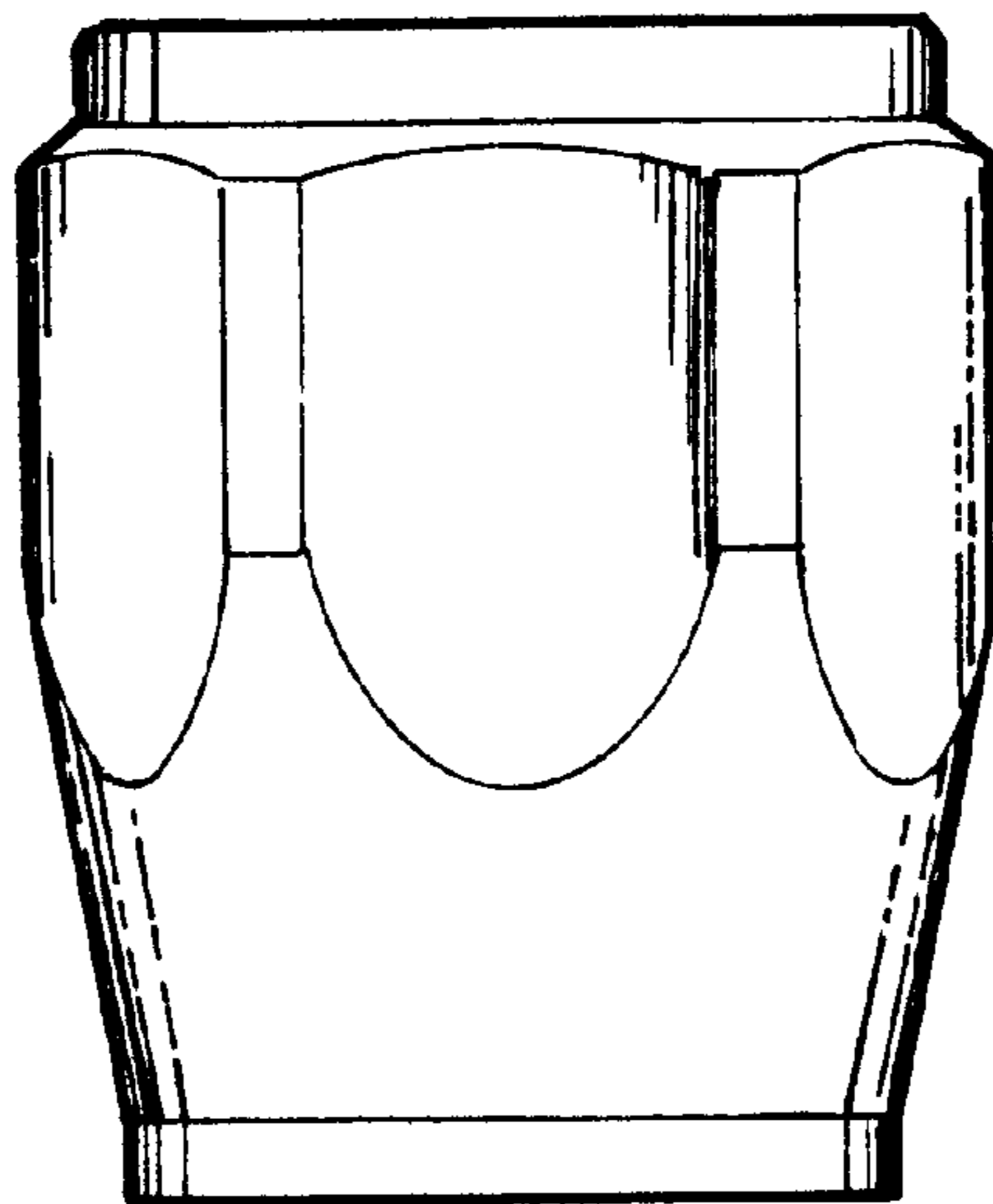


FIG. 2

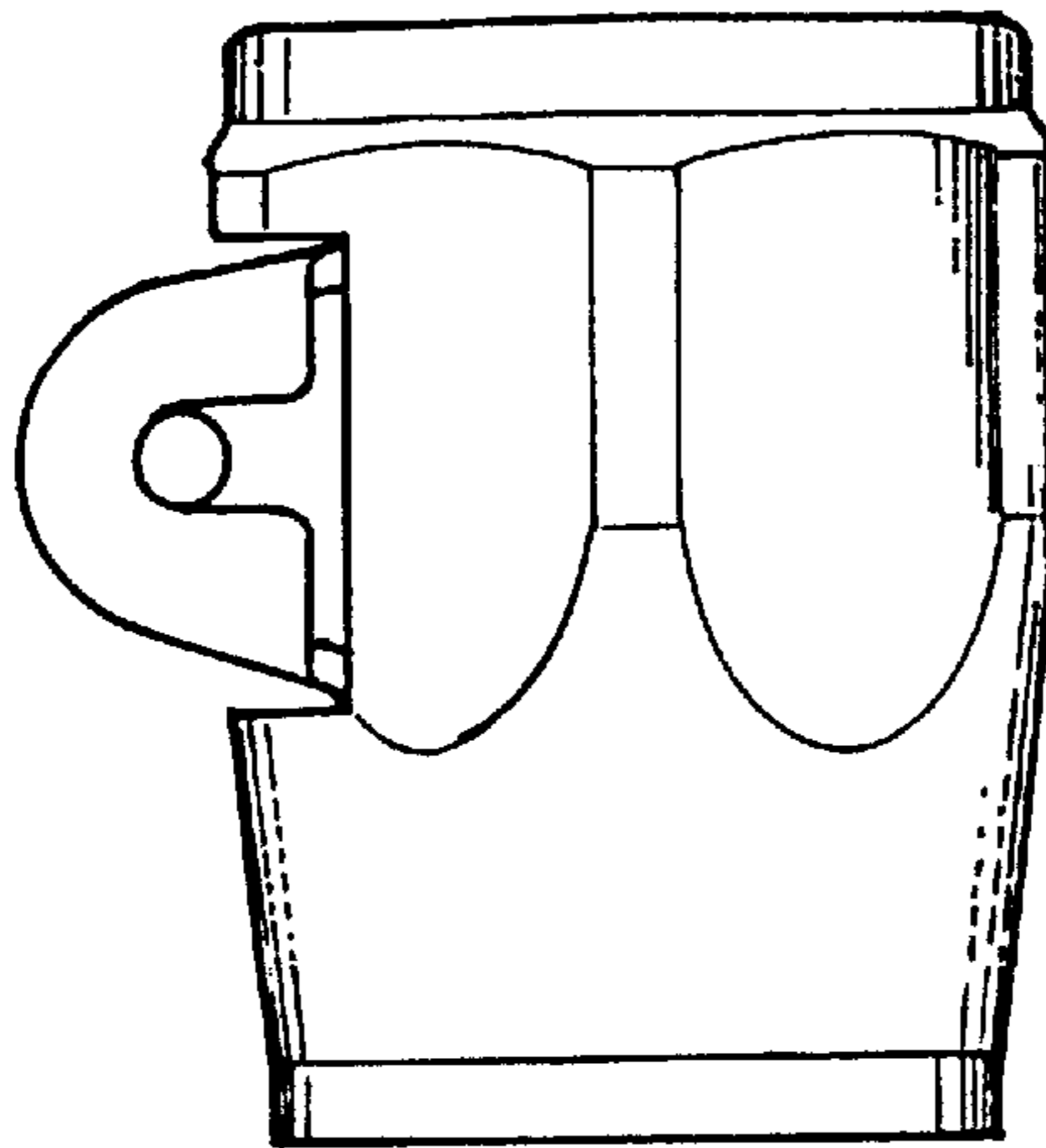


FIG. 4

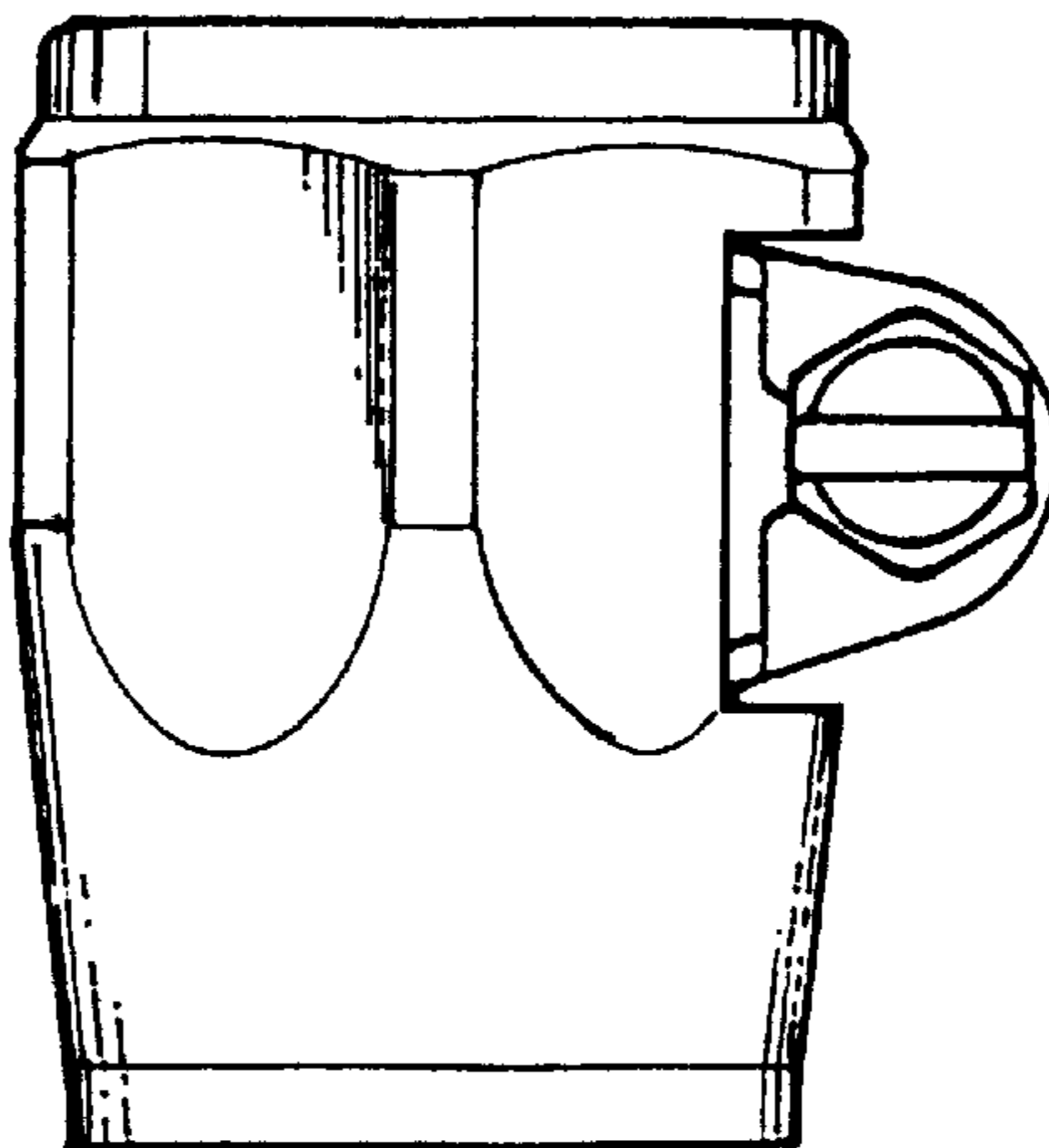


FIG. 5

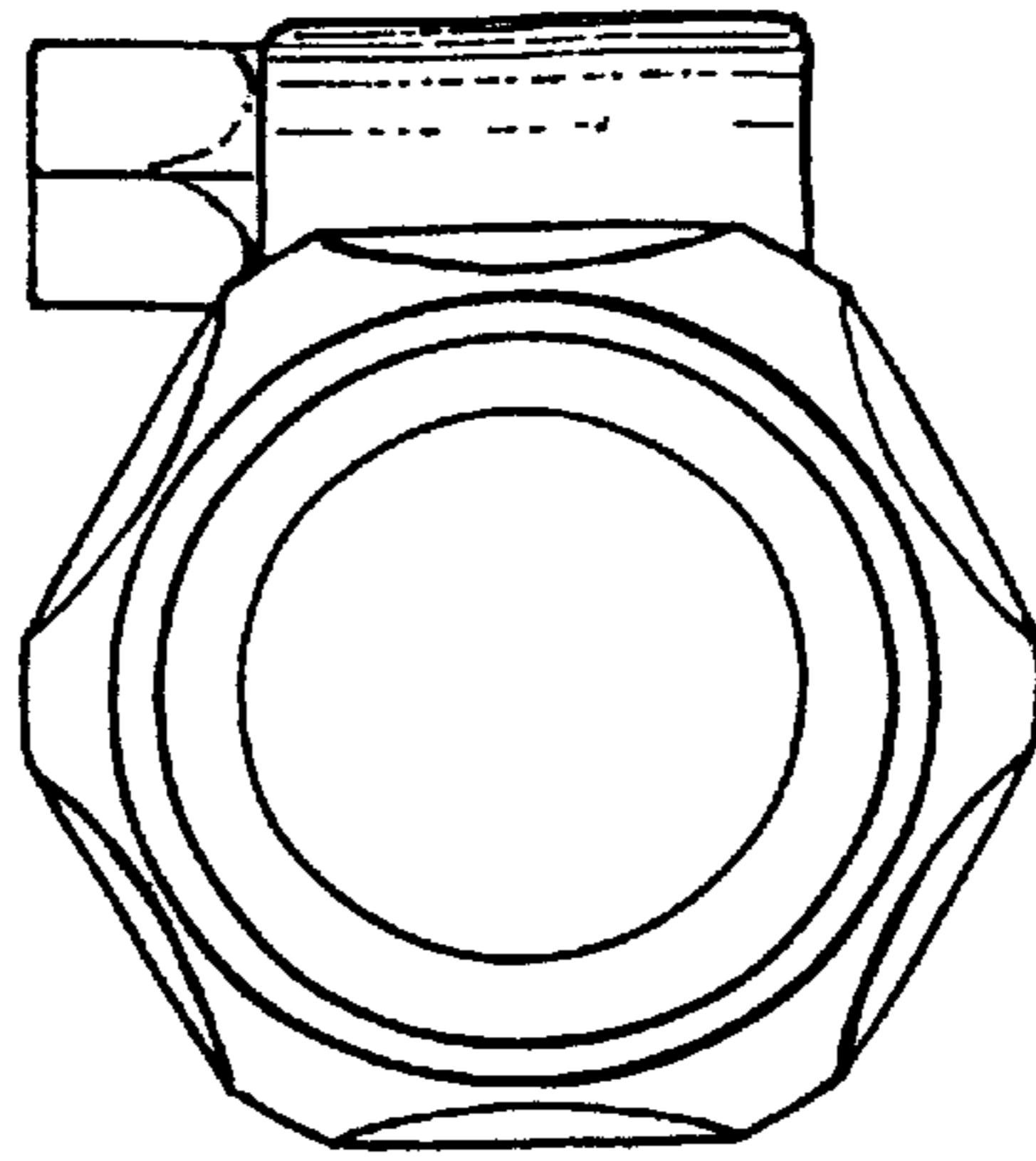


FIG. 6

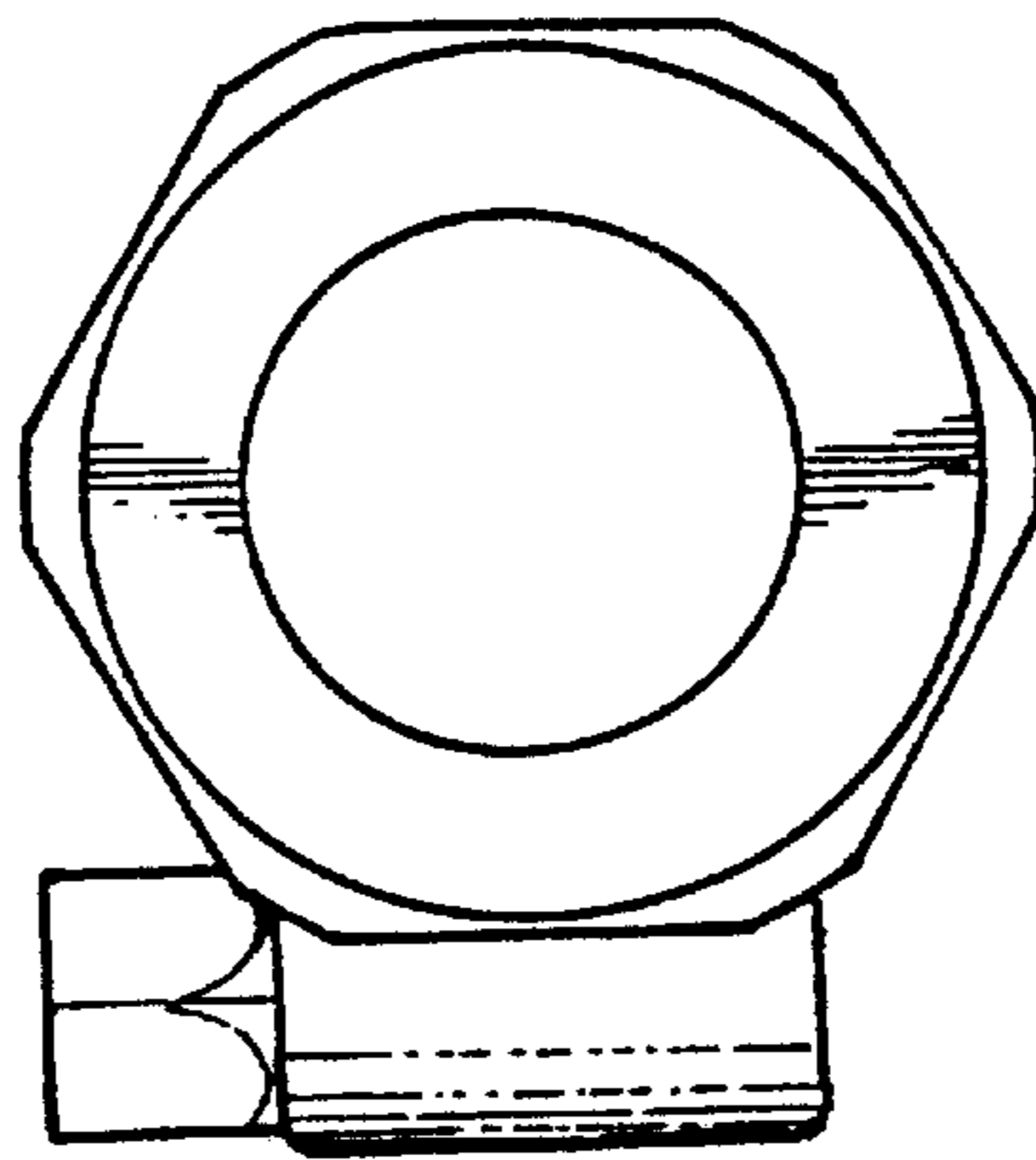


FIG. 7