



US00D443342S

(12) **United States Design Patent**
Hunter et al.

(10) **Patent No.:** **US D443,342 S**

(45) **Date of Patent:** **** Jun. 5, 2001**

(54) **ESCUTCHEON AND CAP**

D. 430,652 * 9/2000 Toit et al. D23/260

(75) Inventors: **Brian Hunter**, Nederland, CO (US);
Wolfgang Fabian, Mannheim (DE)

* cited by examiner

Primary Examiner—Robin V. Taylor

(73) Assignee: **American Standard International Inc.**, New York, NY (US)

(57) **CLAIM**

(**) Term: **14 Years**

The ornamental design for an escutcheon and cap, as shown and described.

(21) Appl. No.: **29/121,273**

DESCRIPTION

(22) Filed: **Apr. 4, 2000**

FIG. 1 is a perspective view of an escutcheon and cap showing my new design;

(51) **LOC (7) Cl.** **23-01**

FIG. 2 is a top plan view thereof;

(52) **U.S. Cl.** **D23/260; D23/249**

FIG. 3 is a front elevational view thereof, the rear view being a mirror image thereof;

(58) **Field of Search** D23/260, 261, D23/249, 308, 254; 4/286–292, 679, 681

FIG. 4 is a right side elevational view thereof, the left side view being a mirror image thereof; and,

(56) **References Cited**

FIG. 5 is a bottom plan view thereof.

U.S. PATENT DOCUMENTS

The broken line showing is for illustrative purposes only and forms no part of the claimed design.

D. 284,687 * 7/1986 Doman et al. D23/254

D. 412,970 * 8/1999 Whyte D23/260

1 Claim, 1 Drawing Sheet

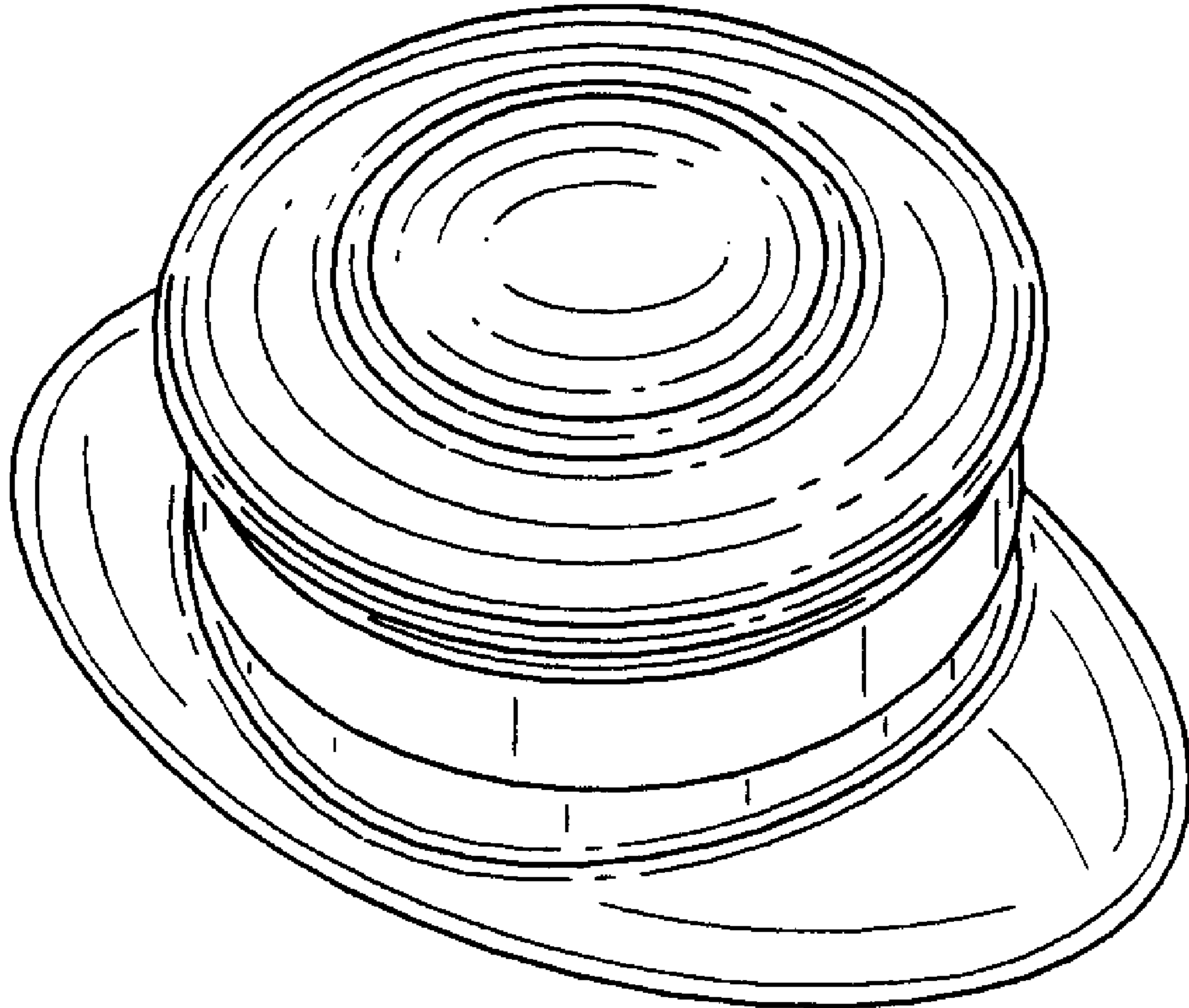


FIG. 1

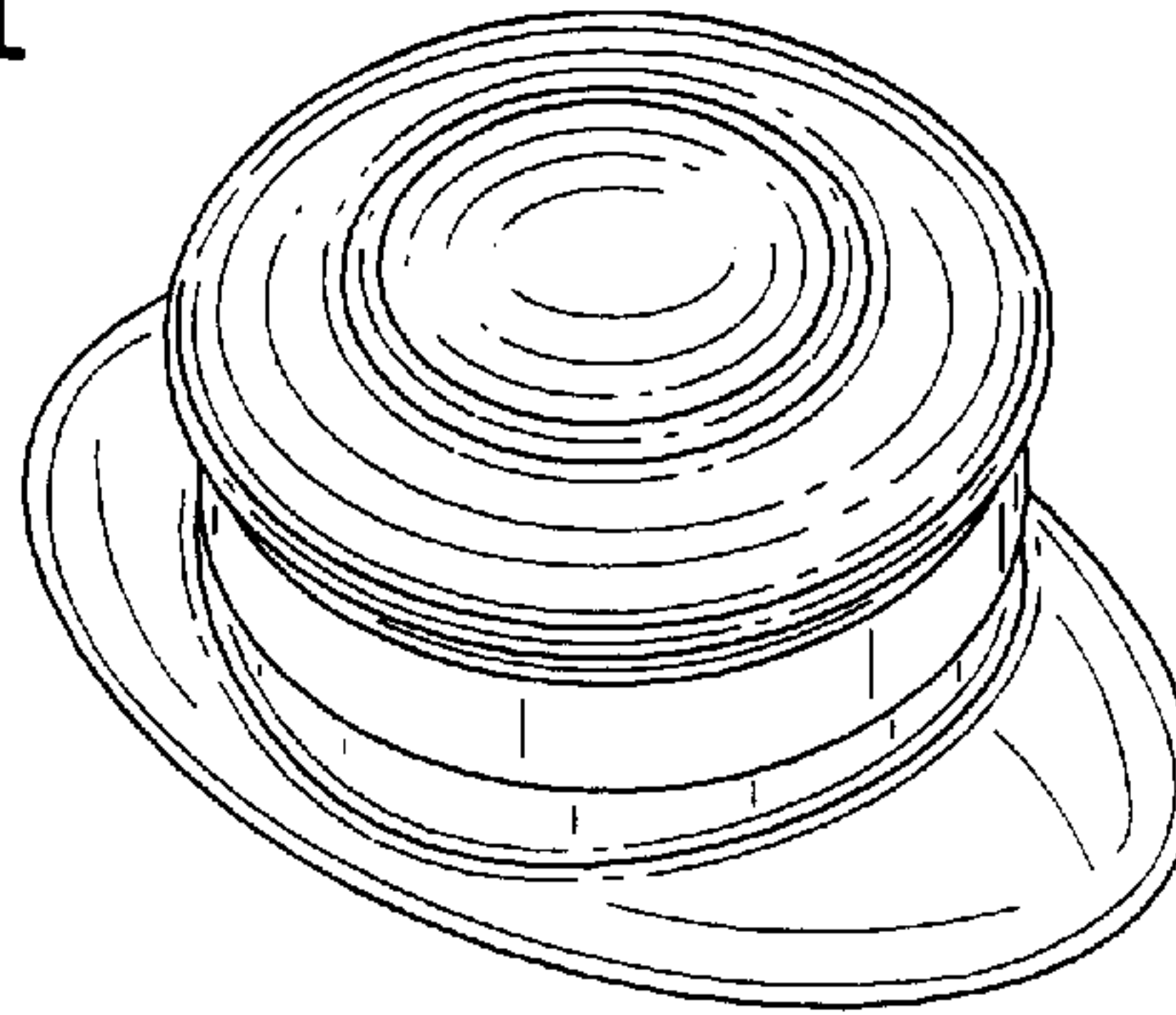


FIG. 2

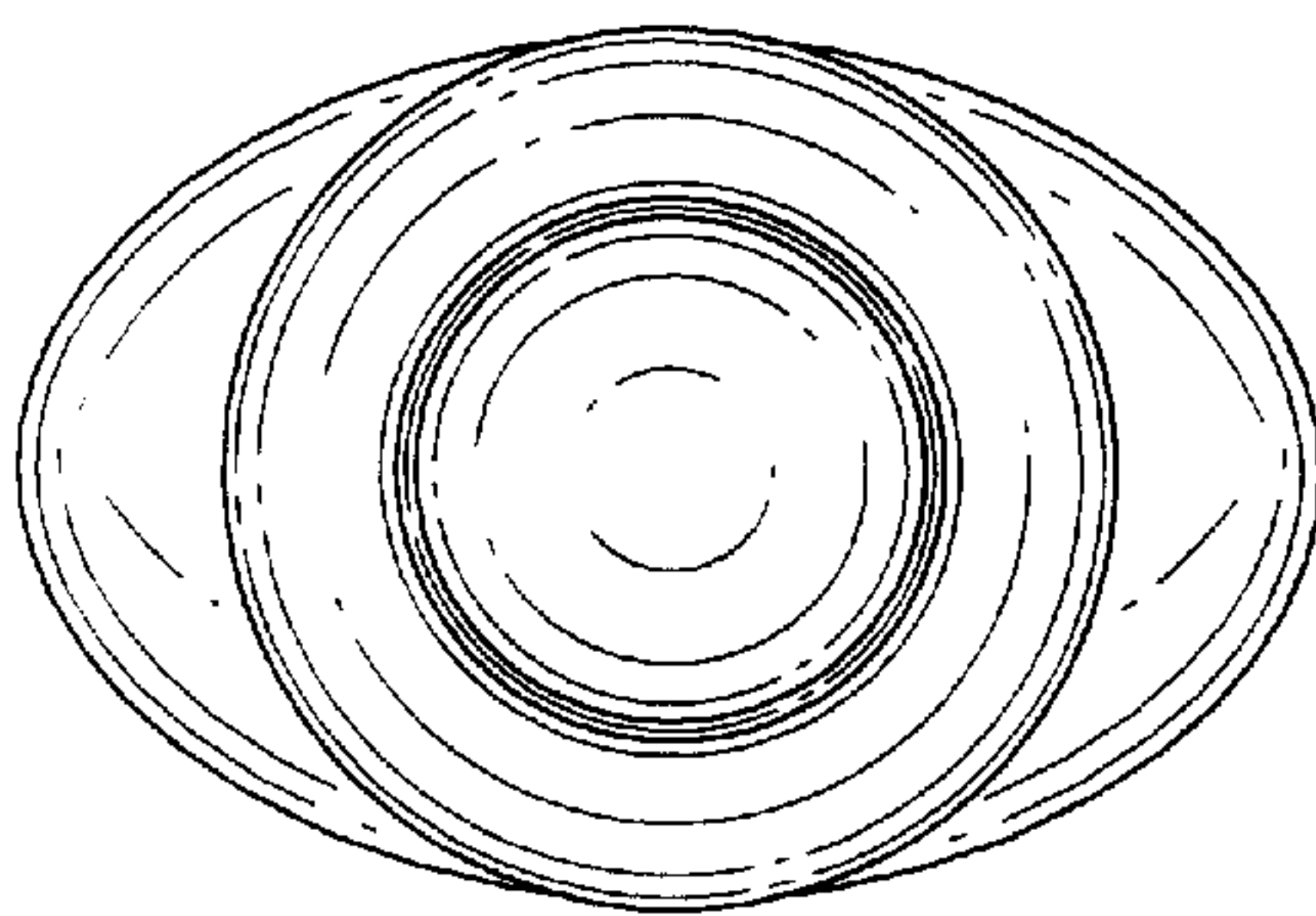


FIG. 3

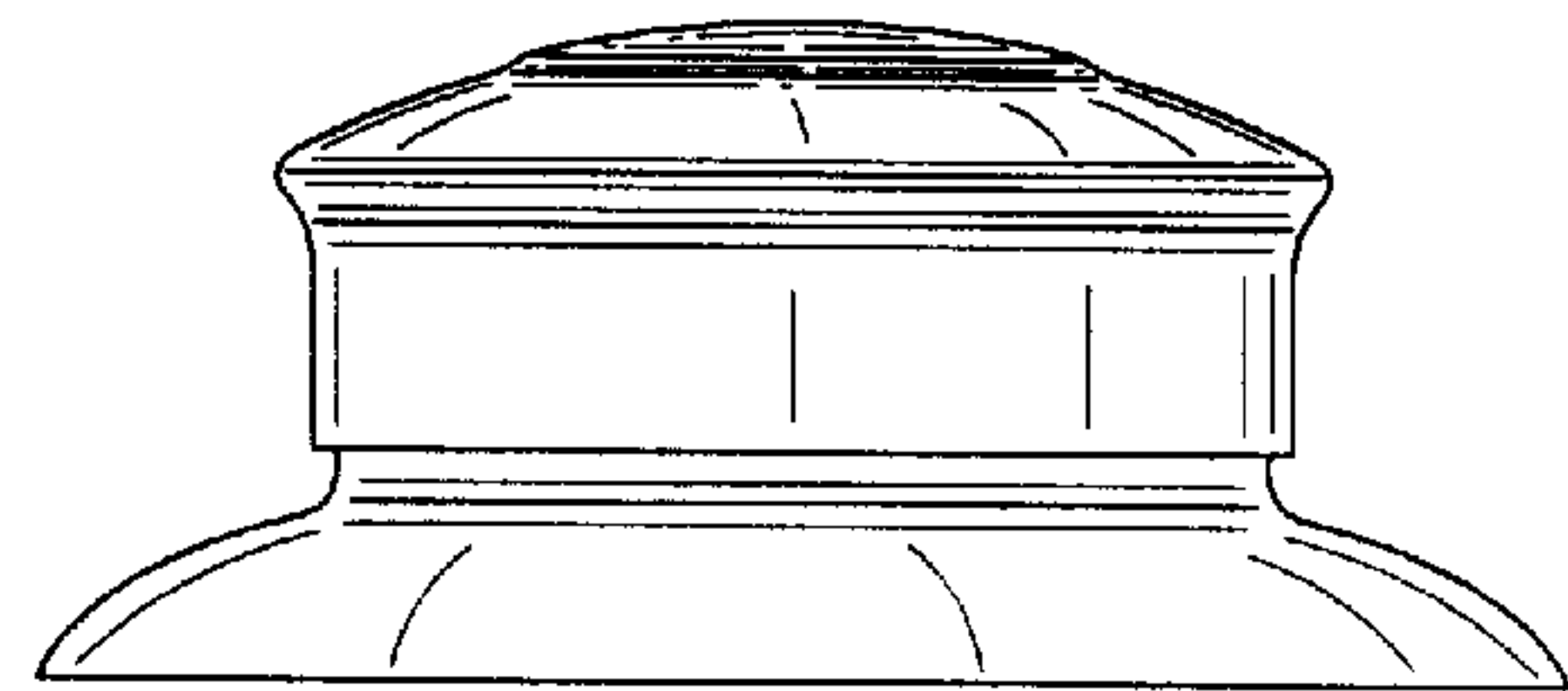


FIG. 4

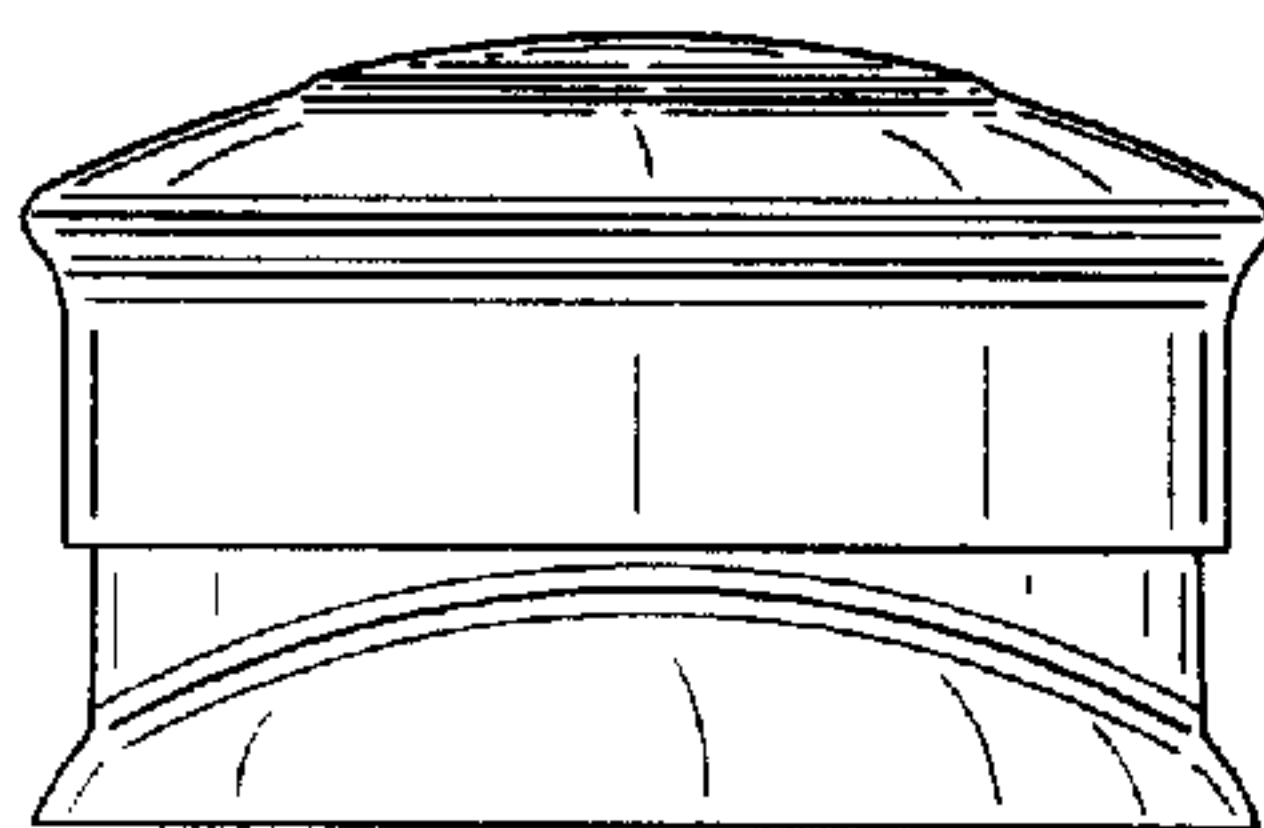


FIG. 5

