



US00D443341S

(12) **United States Design Patent**  
**Burns et al.**

(10) **Patent No.:** **US D443,341 S**  
(45) **Date of Patent:** **\*\* Jun. 5, 2001**

(54) **SHOWER DIVERTER CONTROL**

(75) Inventors: **Leonard J. Burns**, Amherst; **Lizabeth Dretzka**, Cleveland; **Thomas A. Frisco**, Brecksville; **Shannon Thomas**, Streetsboro, all of OH (US)

(73) Assignee: **Moen Incorporated**, North Olmsted, OH (US)

(\*\*) Term: **14 Years**

(21) Appl. No.: **29/119,267**

(22) Filed: **Feb. 28, 2000**

(51) **LOC (7) Cl.** ..... **23-01**

(52) **U.S. Cl.** ..... **D23/254**

(58) **Field of Search** ..... D23/238-243,  
D23/245, 249-257; D8/300-310, 350-354;  
4/675-678; 16/110 R-121; 137/801

(56) **References Cited**

**U.S. PATENT DOCUMENTS**

- D. 329,008 9/1992 Marques .
- D. 345,004 \* 3/1994 Bengston ..... D23/254

- D. 420,106 \* 2/2000 Green ..... D23/254
- D. 427,290 \* 6/2000 Milrud et al. .... D23/254
- D. 428,642 \* 7/2000 Milrud et al. .... D23/254
- D. 433,737 \* 11/2000 Milrud et al. .... D23/252

\* cited by examiner

*Primary Examiner*—Louis S. Zarfes

*Assistant Examiner*—Gregory Andoll

(74) *Attorney, Agent, or Firm*—Cook, Alex, McFarron, Manzo, Cummings & Mehler, Ltd.

(57) **CLAIM**

The ornamental design for a shower diverter control, as shown and described.

**DESCRIPTION**

FIG. 1 is a front perspective view of our new design for a shower diverter control;  
 FIG. 2 is a left side view thereof, the right side being the same as the left side;  
 FIG. 3 is a front view thereof;  
 FIG. 4 is a top view thereof;  
 FIG. 5 is a bottom view thereof; and,  
 FIG. 6 is a rear view thereof.

**1 Claim, 2 Drawing Sheets**

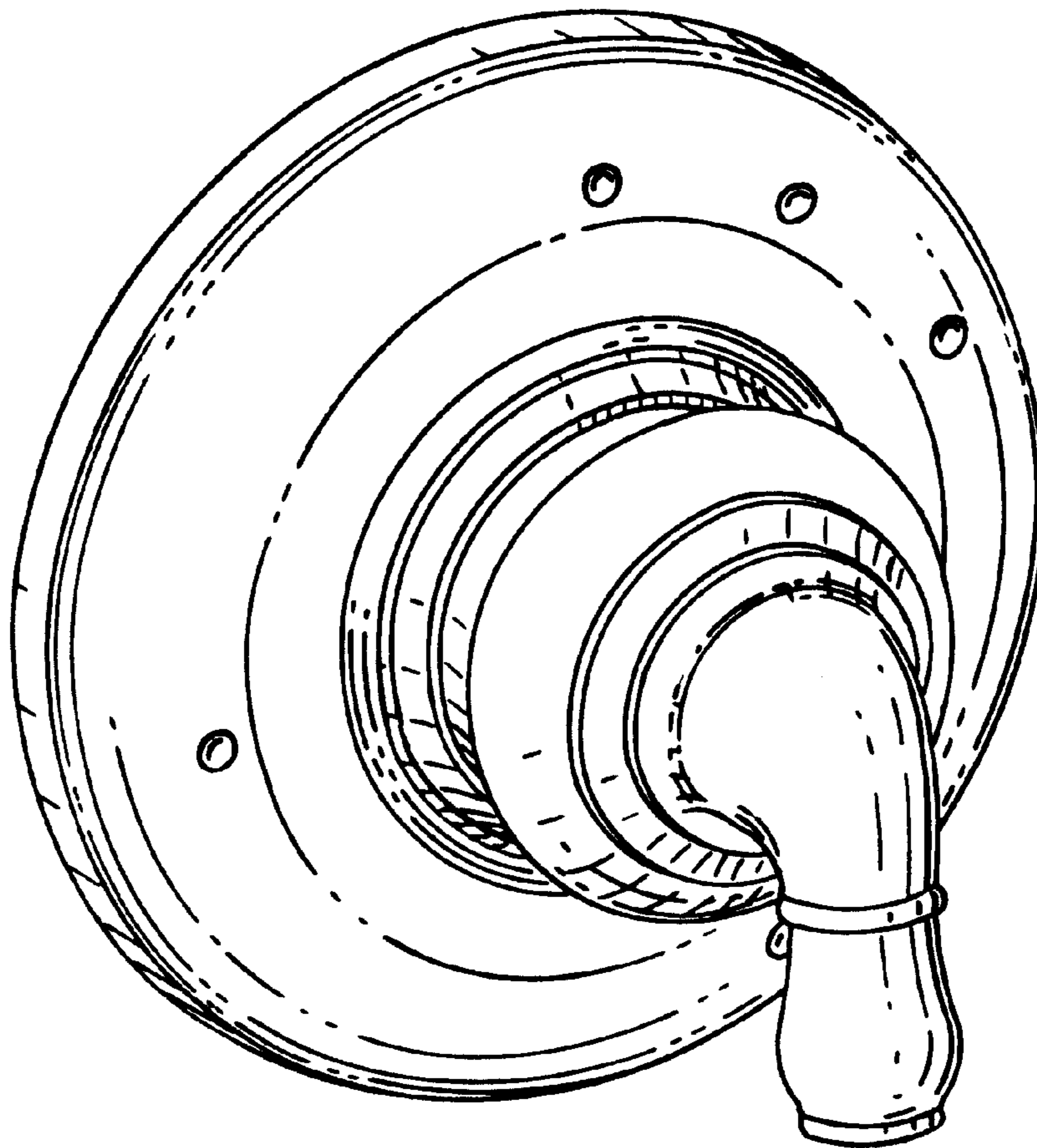


FIG. 1.

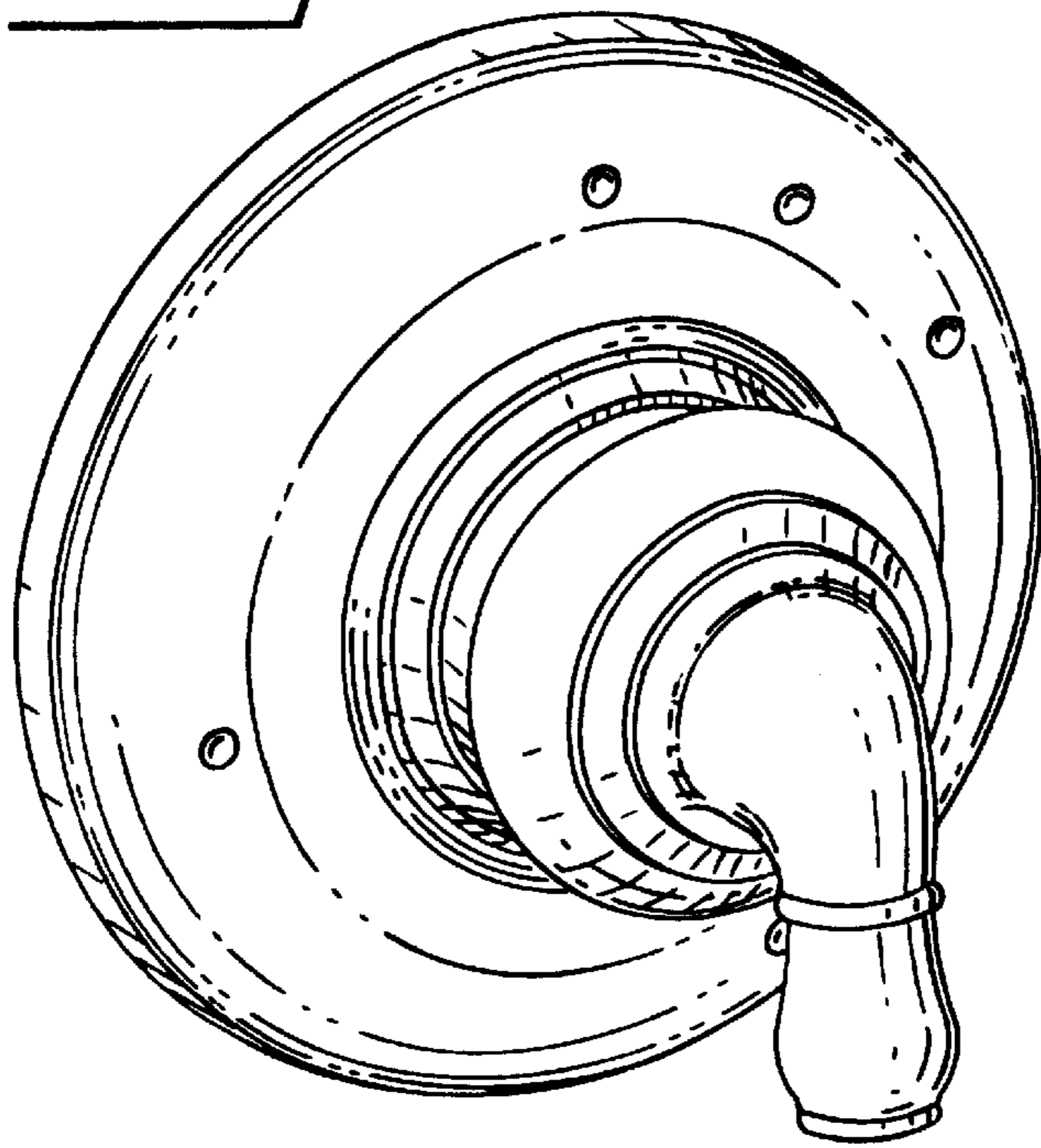


FIG. 2.

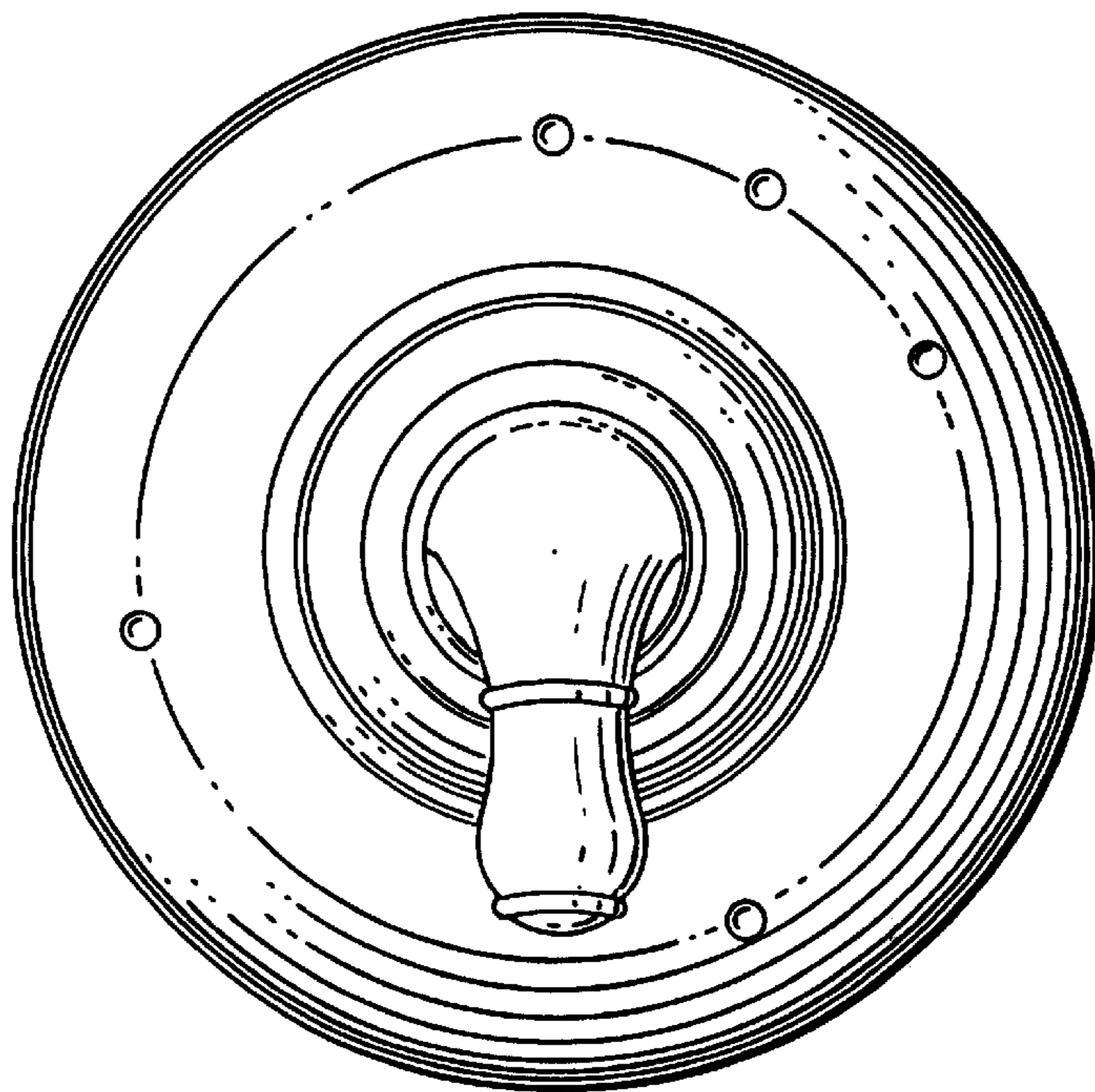
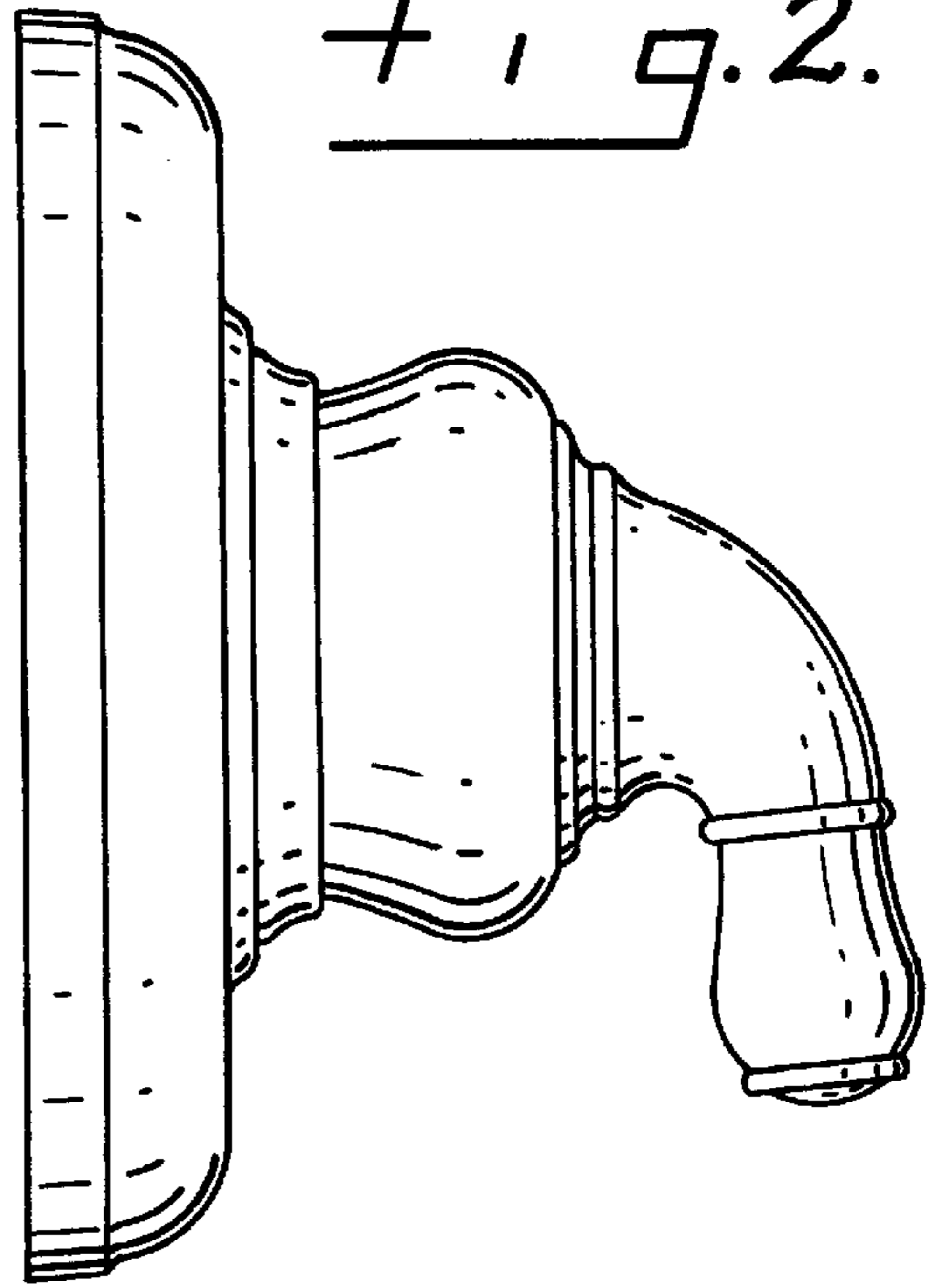


FIG. 3.

