



US00D443340S

(12) **United States Design Patent**  
**Aldred et al.**

(10) **Patent No.:** **US D443,340 S**

(45) **Date of Patent:** **\*\* Jun. 5, 2001**

(54) **FILTRATION FAUCET SYSTEM**

D. 428,969 \* 8/2000 Pitsch ..... D23/241  
5,510,031 \* 4/1996 Knauf, Jr. et al. .... 210/460

(75) Inventors: **Jeff Aldred**, Boulder; **Brian Hunter**,  
Nederland, both of CO (US)

\* cited by examiner

(73) Assignee: **American Standard International  
Inc.**, New York, NY (US)

*Primary Examiner*—Louis S. Zarfes  
*Assistant Examiner*—Gregory Andoll

(\*\*) Term: **14 Years**

(57) **CLAIM**

(21) Appl. No.: **29/121,379**

The ornamental design for a filtration faucet system, as  
shown and described.

(22) Filed: **Apr. 5, 2000**

**DESCRIPTION**

(51) **LOC (7) Cl.** ..... **23-01**

(52) **U.S. Cl.** ..... **D23/239; D23/238**

(58) **Field of Search** ..... D23/238–243,  
D23/250–257, 209, 210; 4/675–678; 137/801;  
210/460, 416.3

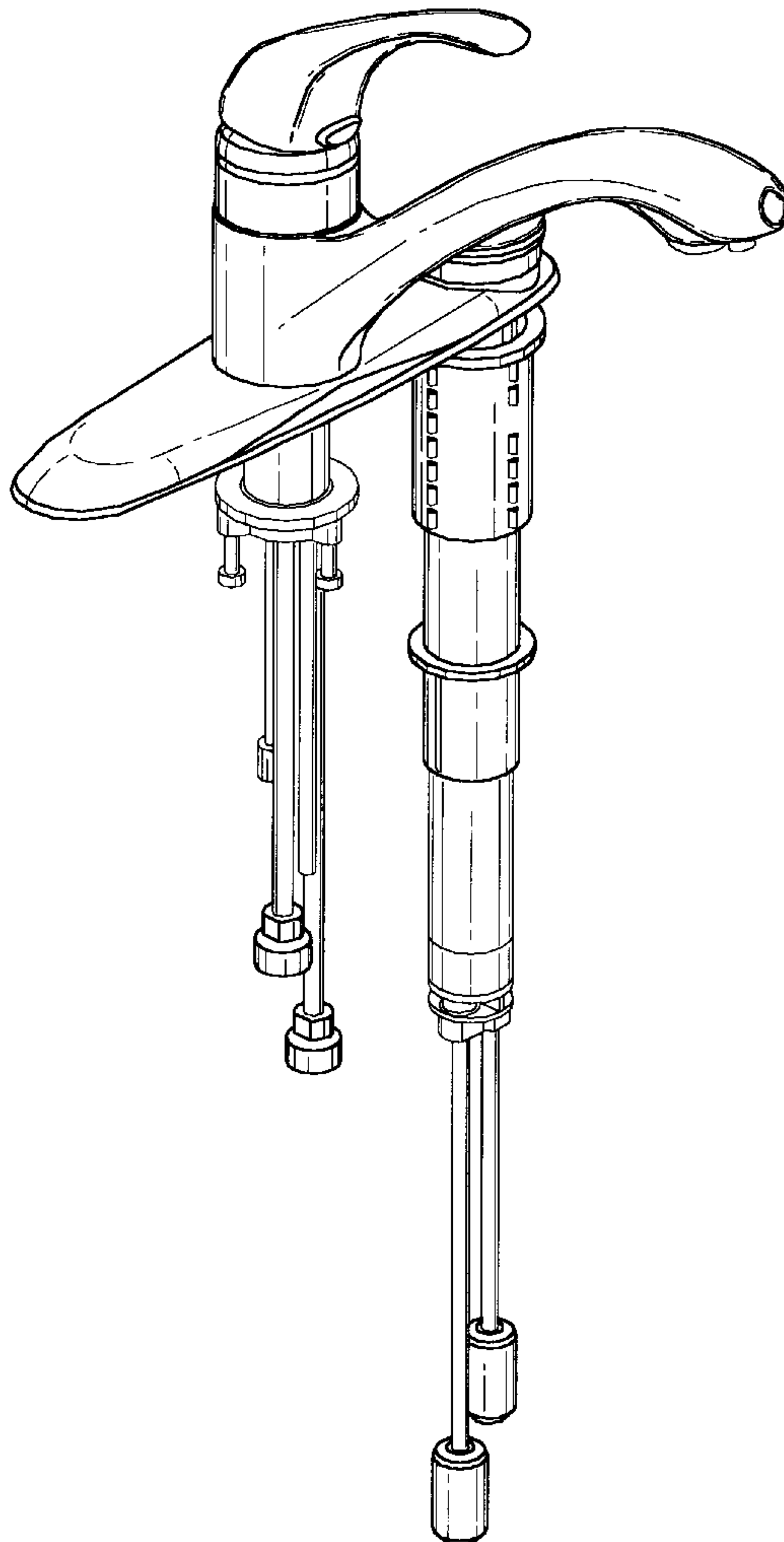
FIG. 1 is a top, left, front, elevational perspective view of a  
filtration faucet system showing our new design;  
FIG. 2 is a left side elevation view thereof;  
FIG. 3 is a front elevational view thereof;  
FIG. 4 is a rear elevational view thereof;  
FIG. 5 is a top plan view thereof;  
FIG. 6 is a bottom plan view thereof;  
FIG. 7 is a bottom front perspective view thereof; and,  
FIG. 8 is a right side elevational view thereof.

(56) **References Cited**

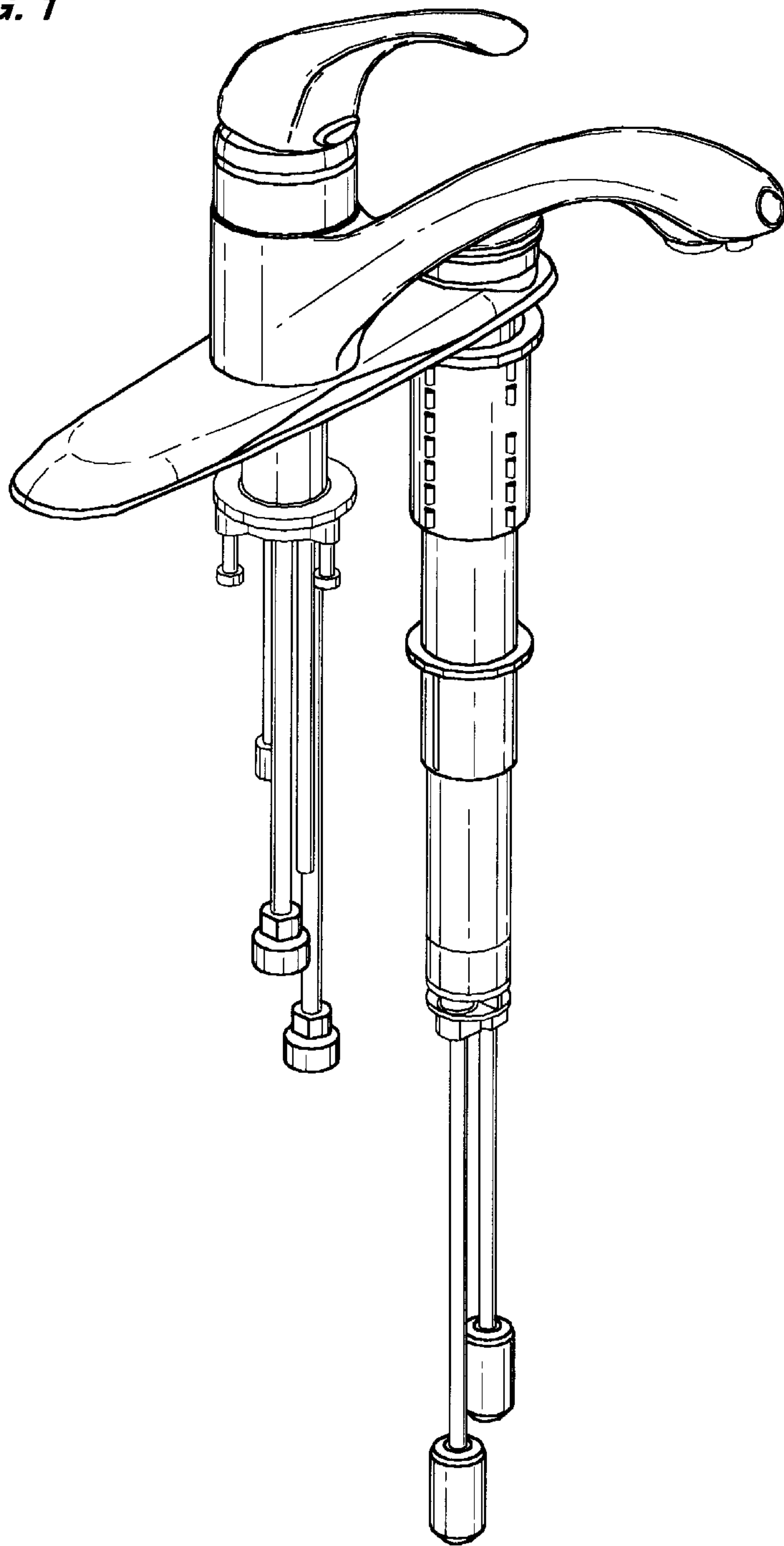
**U.S. PATENT DOCUMENTS**

D. 175,660 \* 9/1955 Knauf, Jr. et al. .... D23/238  
D. 400,648 \* 11/1998 Fabian et al. .... D23/243

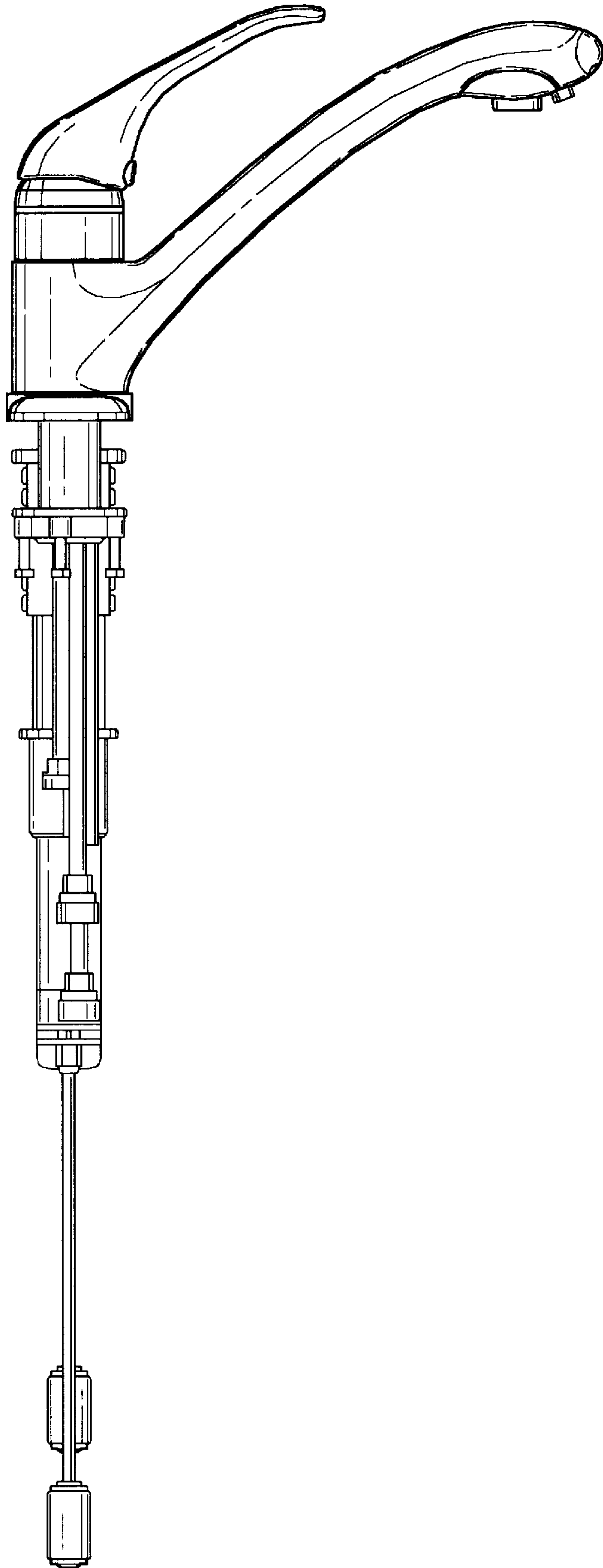
**1 Claim, 7 Drawing Sheets**



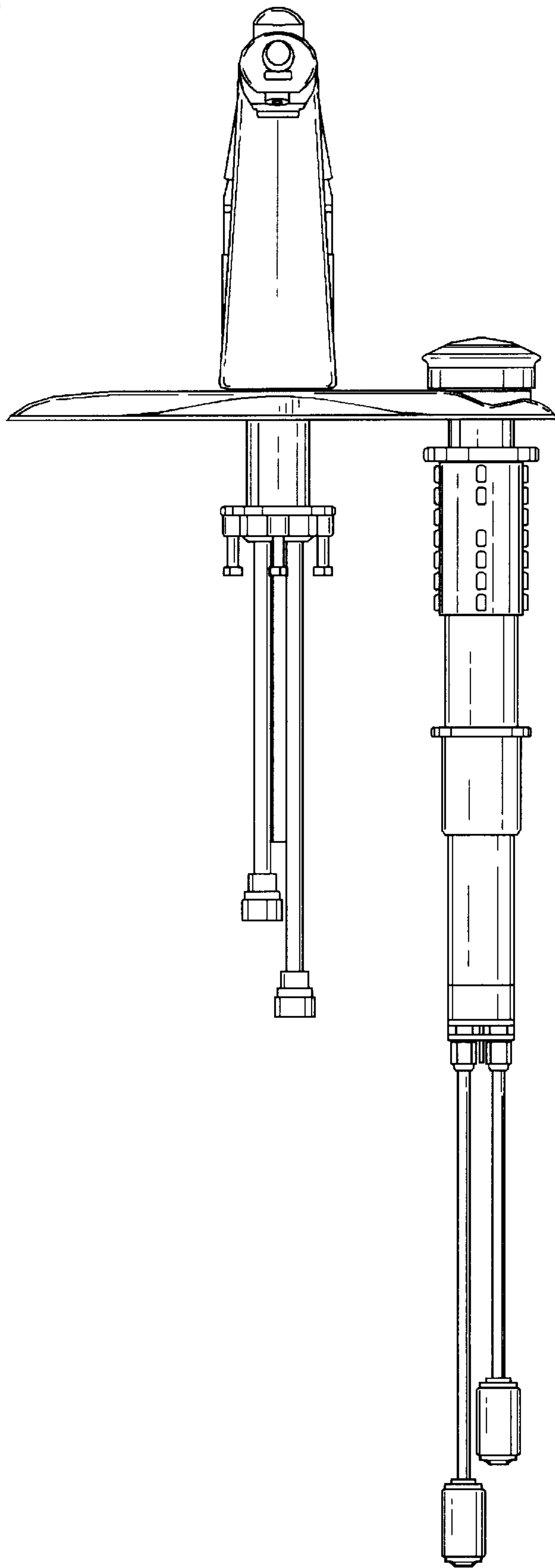
*FIG. 1*



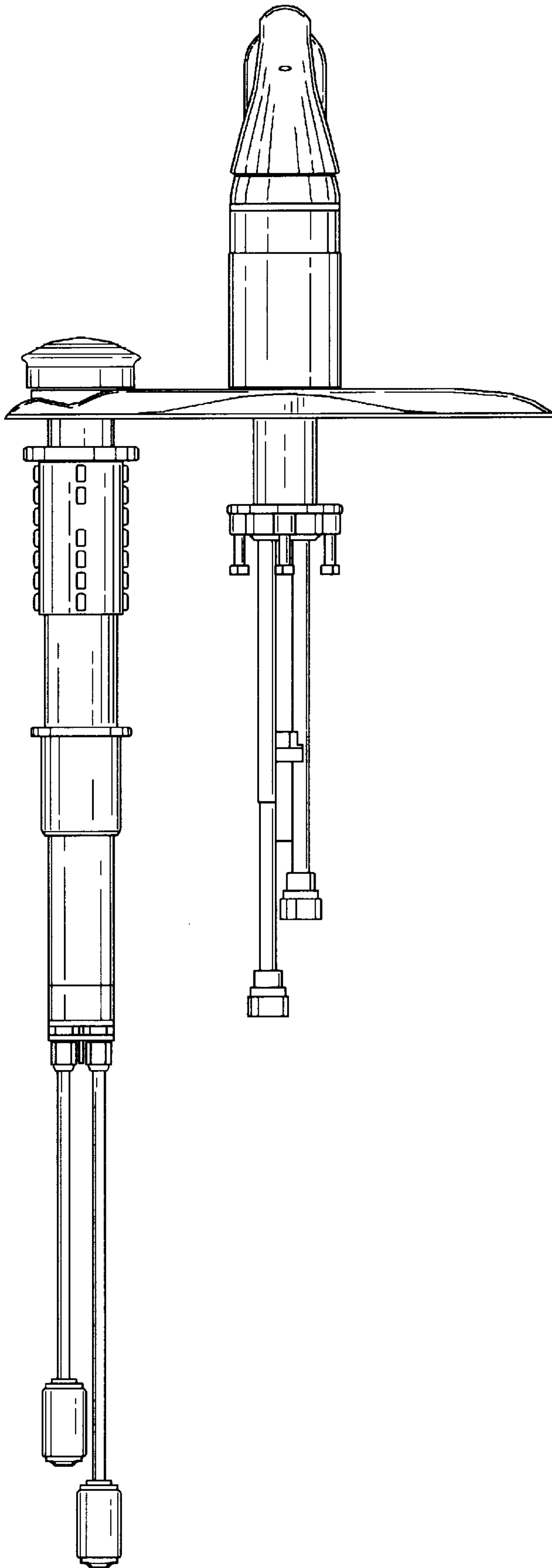
**FIG. 2**

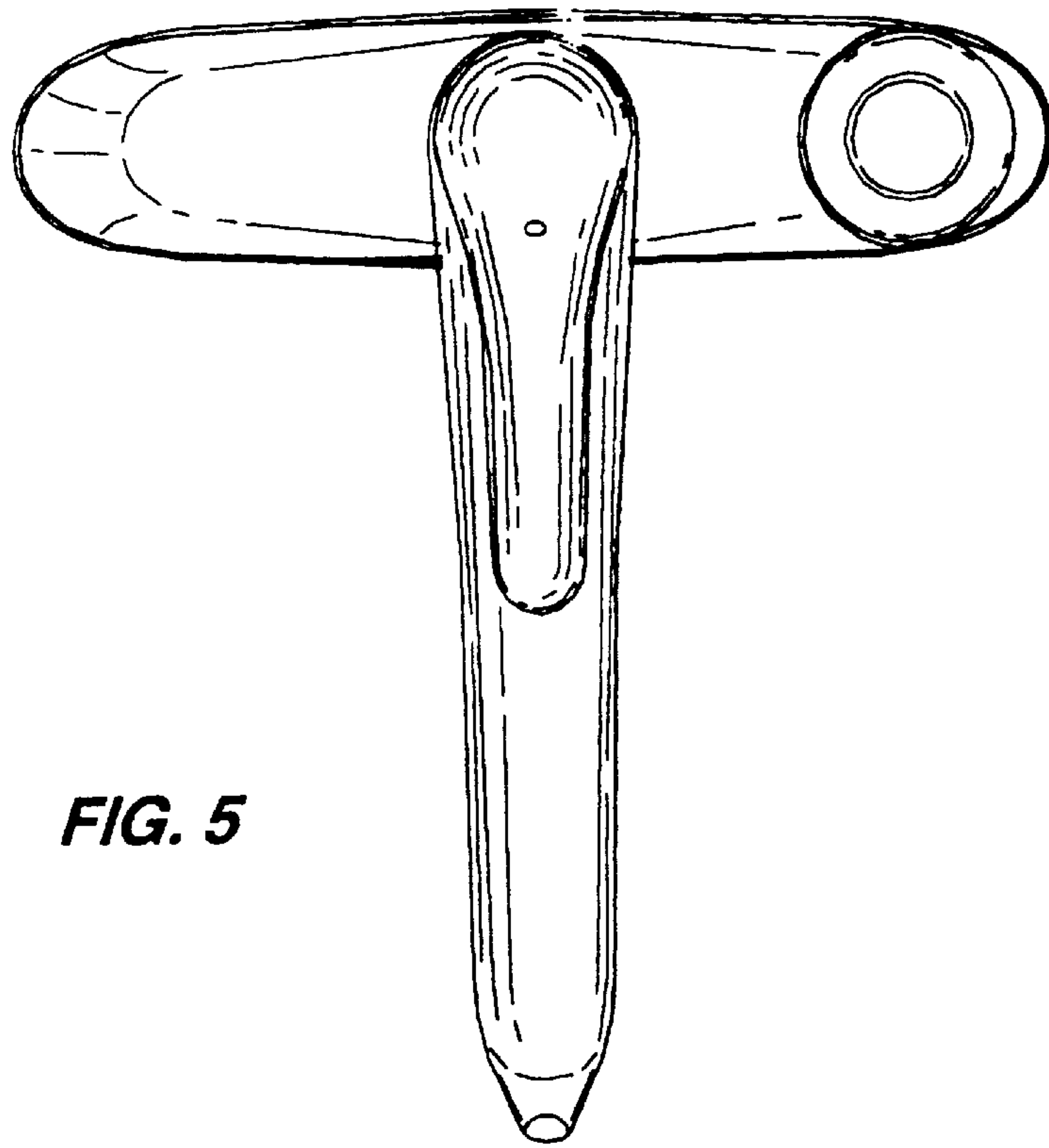


**FIG. 3**

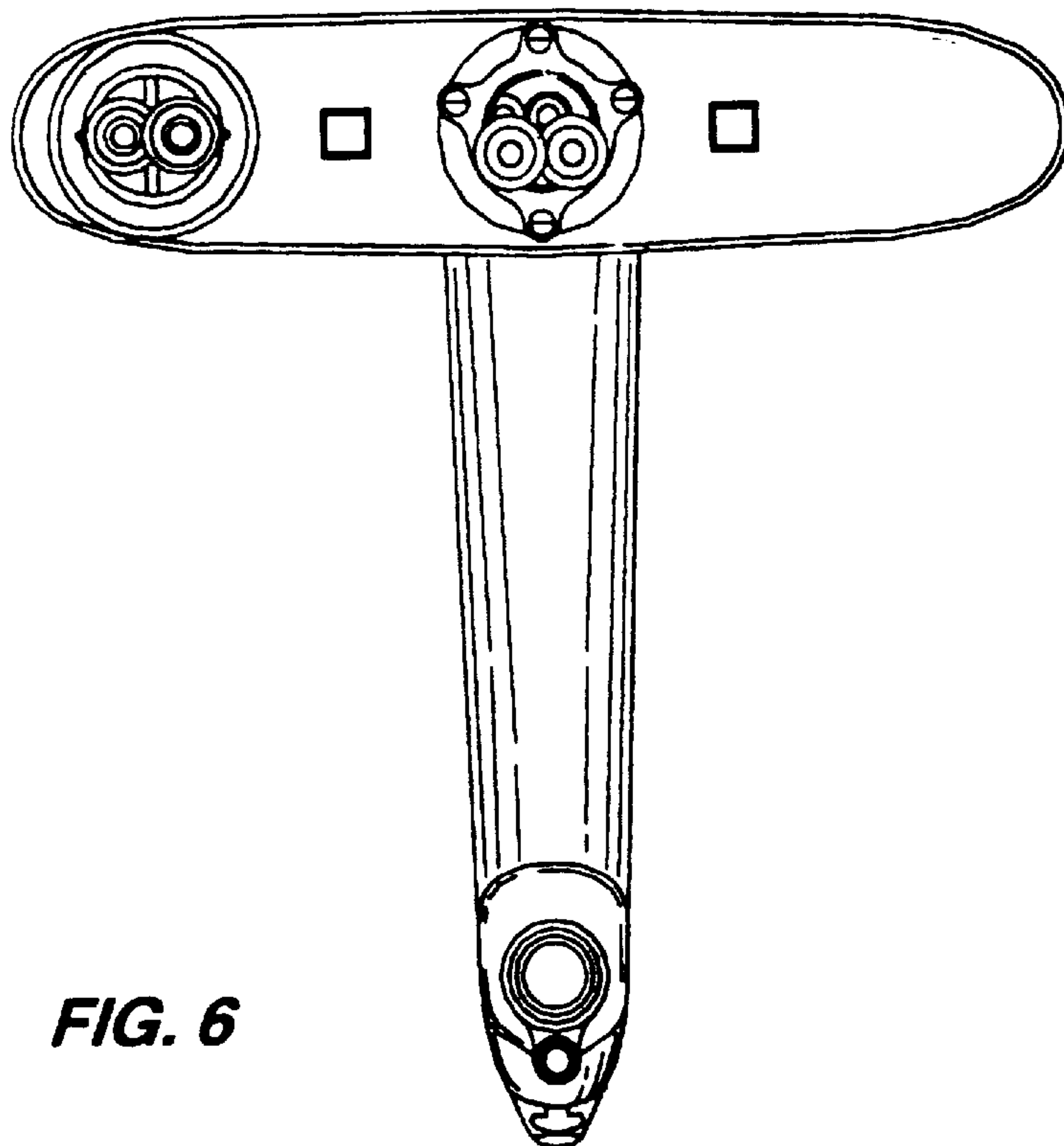


**FIG. 4**



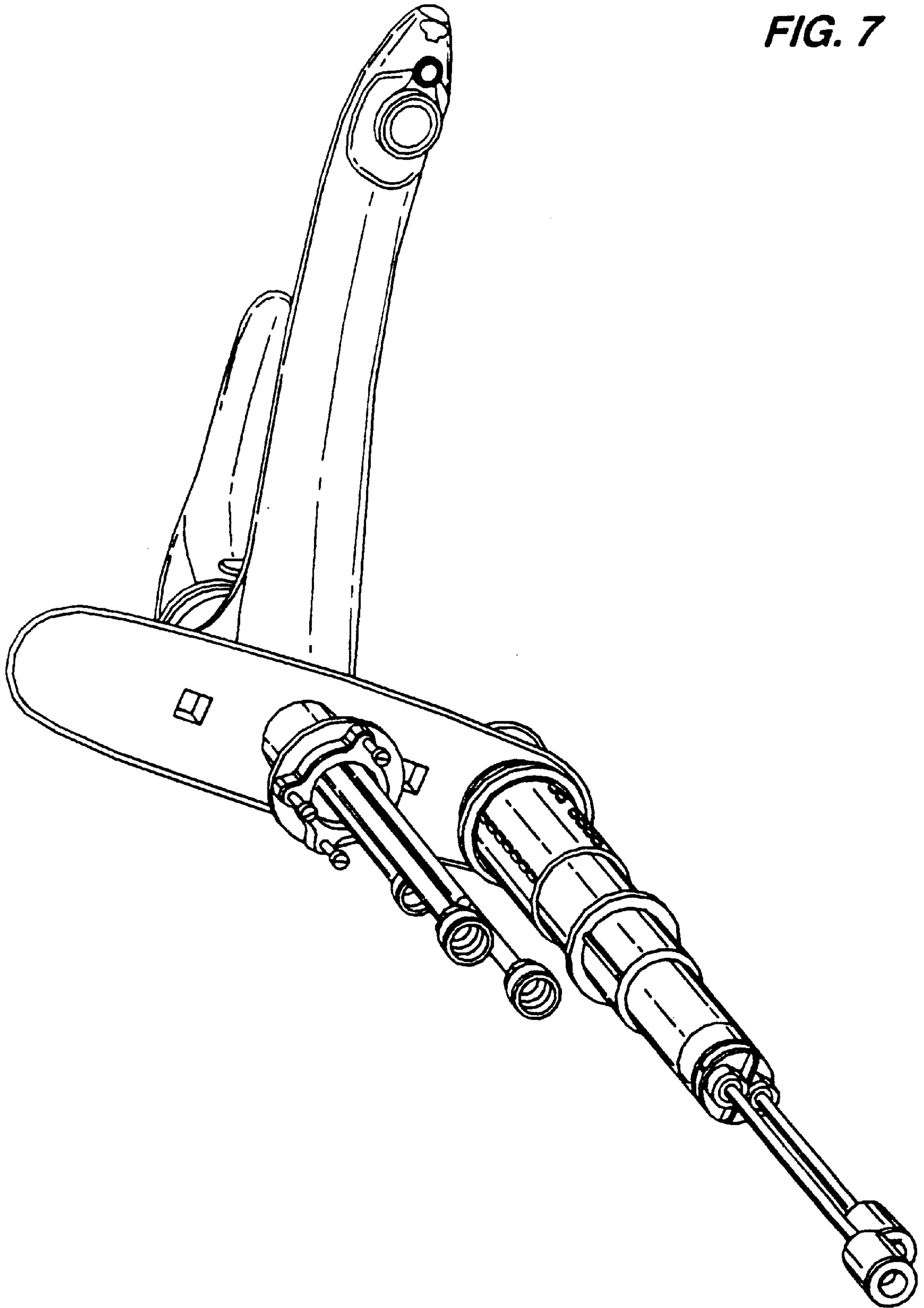


**FIG. 5**



**FIG. 6**

**FIG. 7**



**FIG. 8**

