



US00D443339S

(12) **United States Design Patent**  
**Müllenmeister**

(10) **Patent No.:** **US D443,339 S**

(45) **Date of Patent:** **\*\* Jun. 5, 2001**

(54) **BIDET FAUCET**

D. 434,833 \* 12/2000 Fleischmann ..... D23/238  
D. 437,395 \* 2/2001 Fleischmann ..... D23/238

(75) Inventor: **Daniel Müllenmeister**, Havixbeck (DE)

\* cited by examiner

(73) Assignee: **Friedrich Grohe AG & Co.KG**,  
Hemer (DE)

*Primary Examiner*—Louis S. Zarfes

*Assistant Examiner*—Gregory Andoll

(\*\*) Term: **14 Years**

(74) *Attorney, Agent, or Firm*—Herbert Dubno

(21) Appl. No.: **29/132,784**

(57) **CLAIM**

(22) Filed: **Nov. 15, 2000**

The ornamental design for a bidet faucet, as shown.

(30) **Foreign Application Priority Data**

**DESCRIPTION**

Jun. 22, 2000 (DE) ..... 4 00 05 887

FIG. 1 is a top, front, left-side perspective view of a bidet faucet showing my new design;

(51) **LOC (7) Cl.** ..... **23-01**

FIG. 2 is a left side elevational view thereof;

(52) **U.S. Cl.** ..... **D23/238**

FIG. 3 is a front elevational view thereof;

(58) **Field of Search** ..... D23/238-243,  
D23/245, 249-257, 223; 4/675-678; 16/110 R-121;  
137/801; D8/300-310, 350-354

FIG. 4 is a right side elevational view thereof;

FIG. 5 is a rear elevational view thereof;

(56) **References Cited**

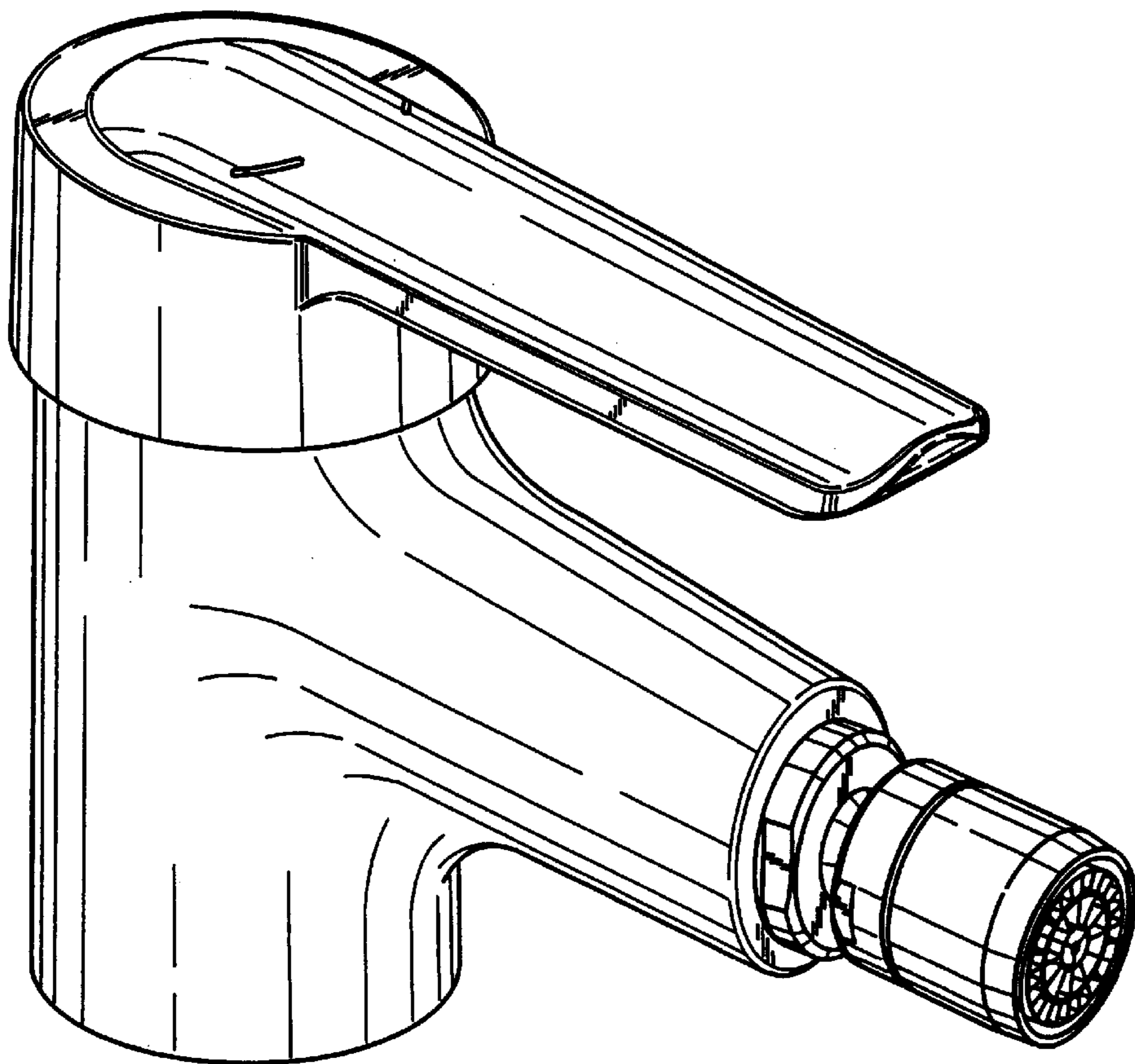
FIG. 6 is a bottom plan view thereof; and,

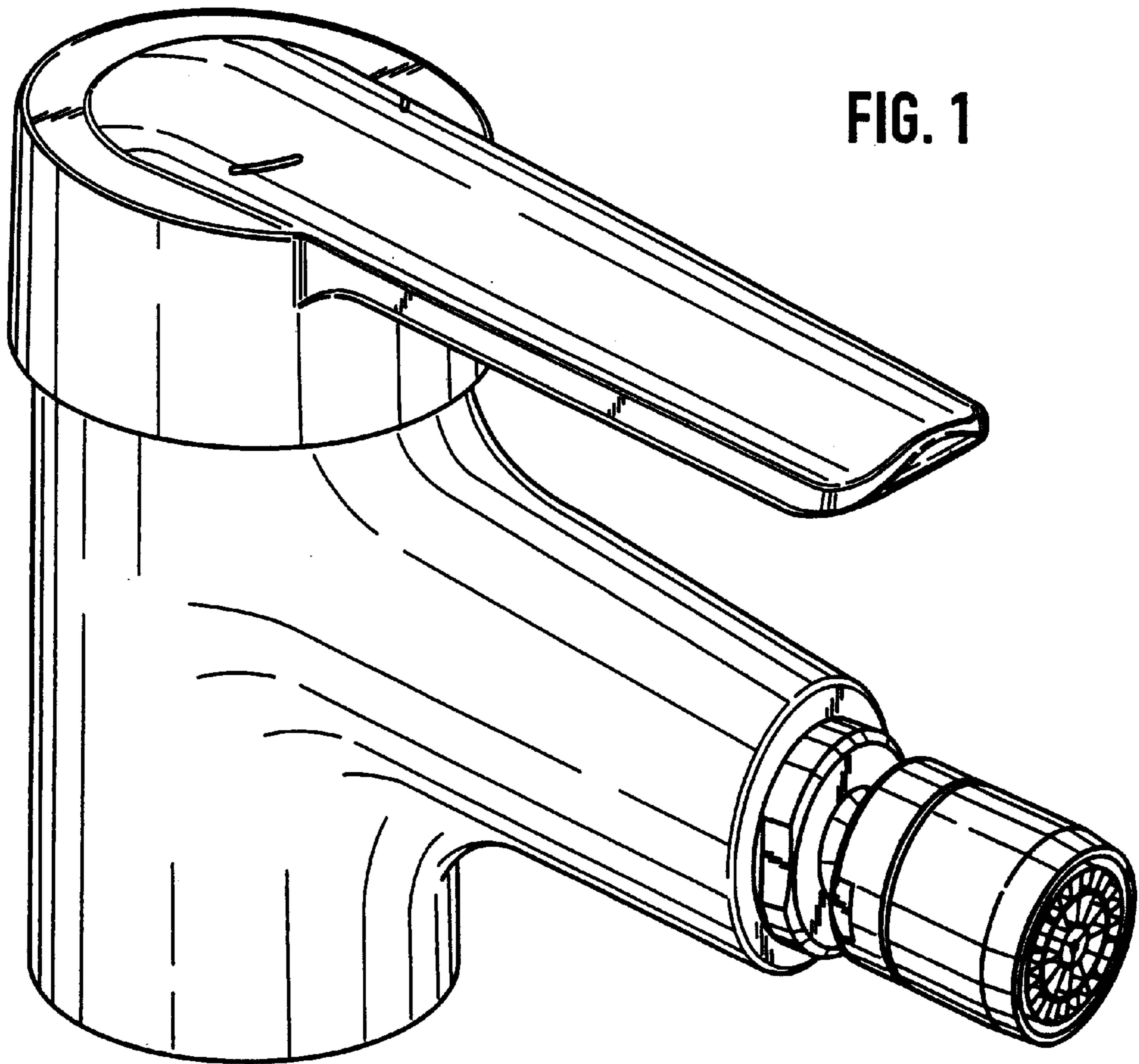
FIG. 7 is a top plan view thereof.

**U.S. PATENT DOCUMENTS**

D. 410,067 \* 5/1999 Gottwald ..... D23/238

**1 Claim, 4 Drawing Sheets**





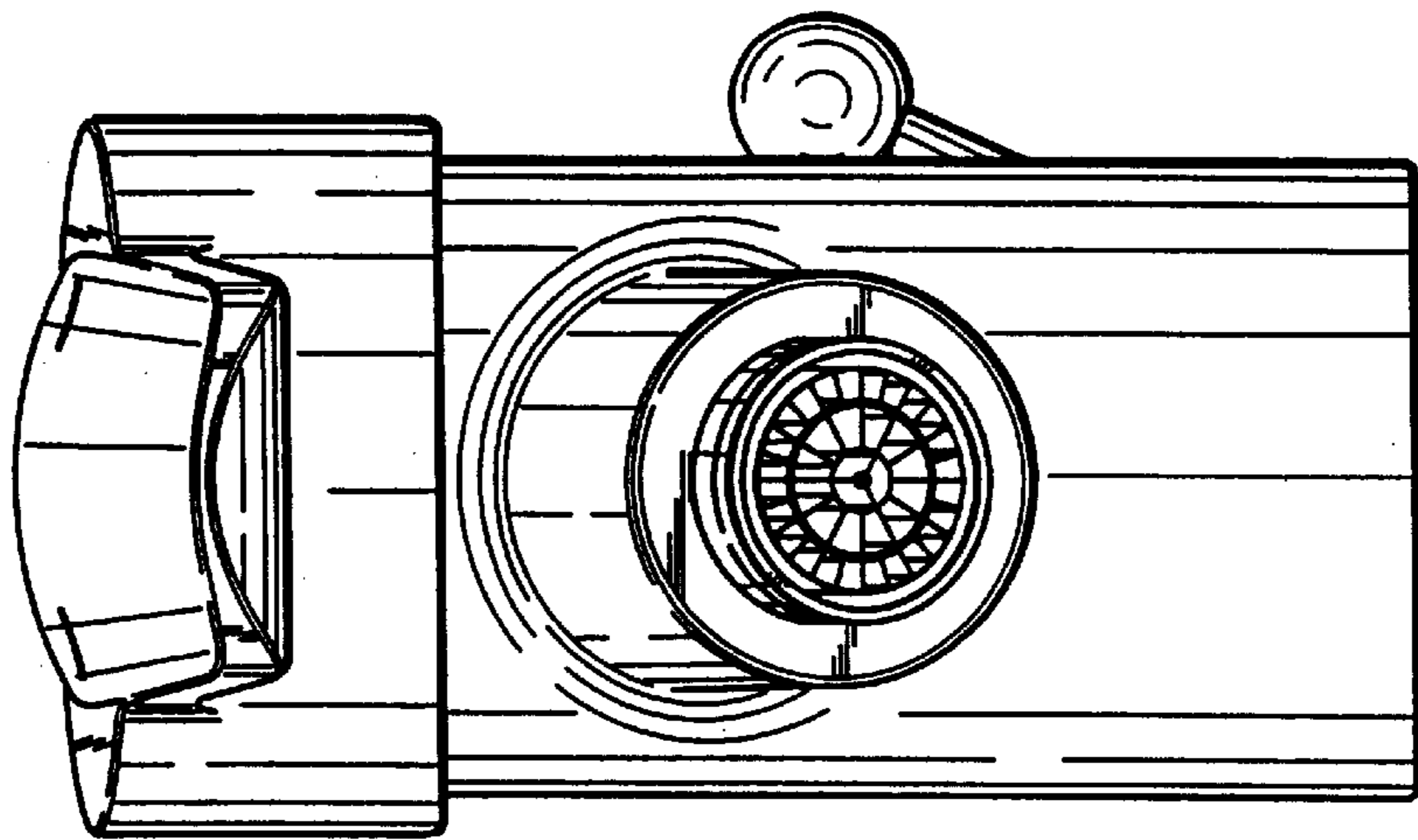


FIG. 3

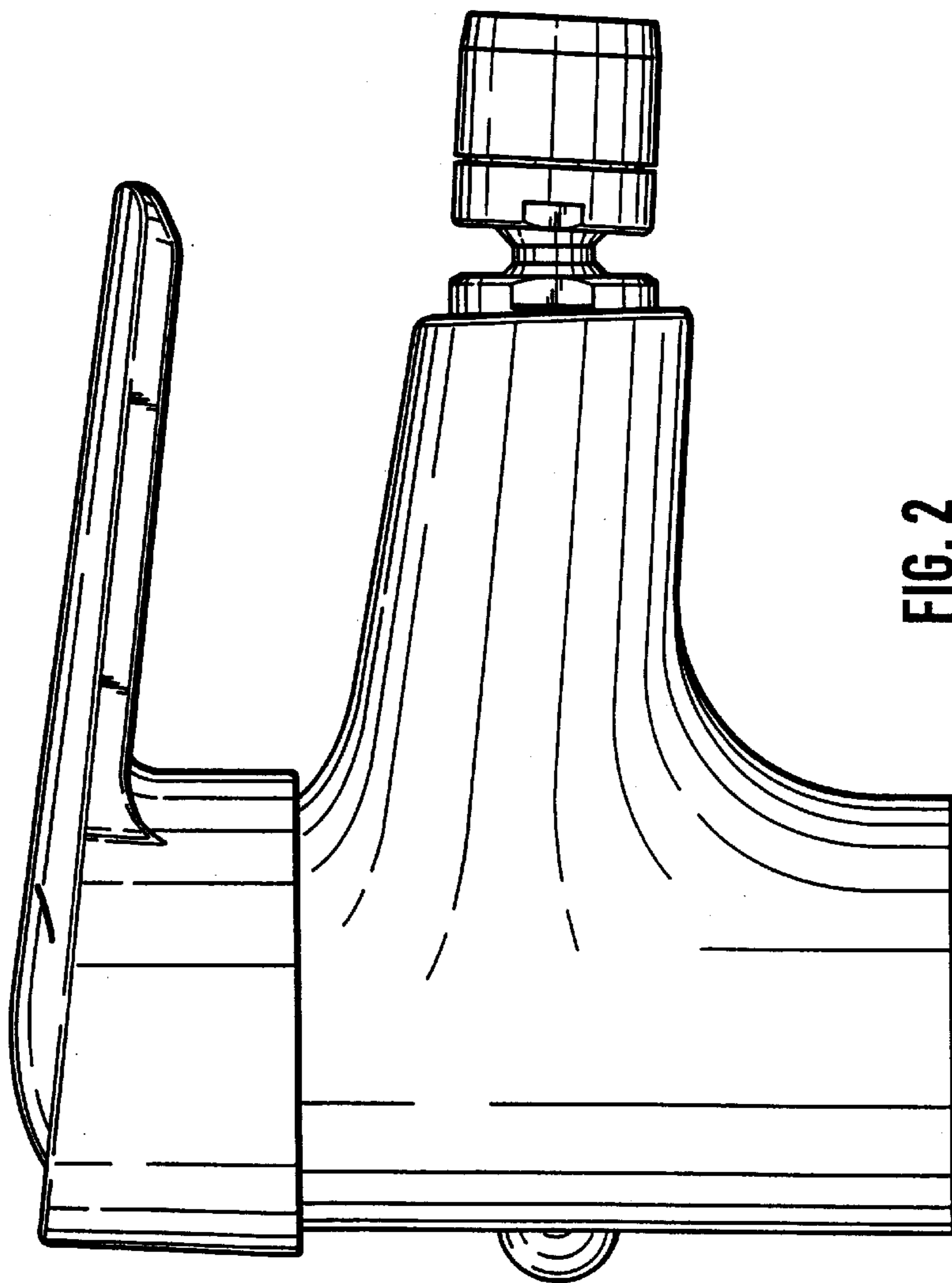


FIG. 2

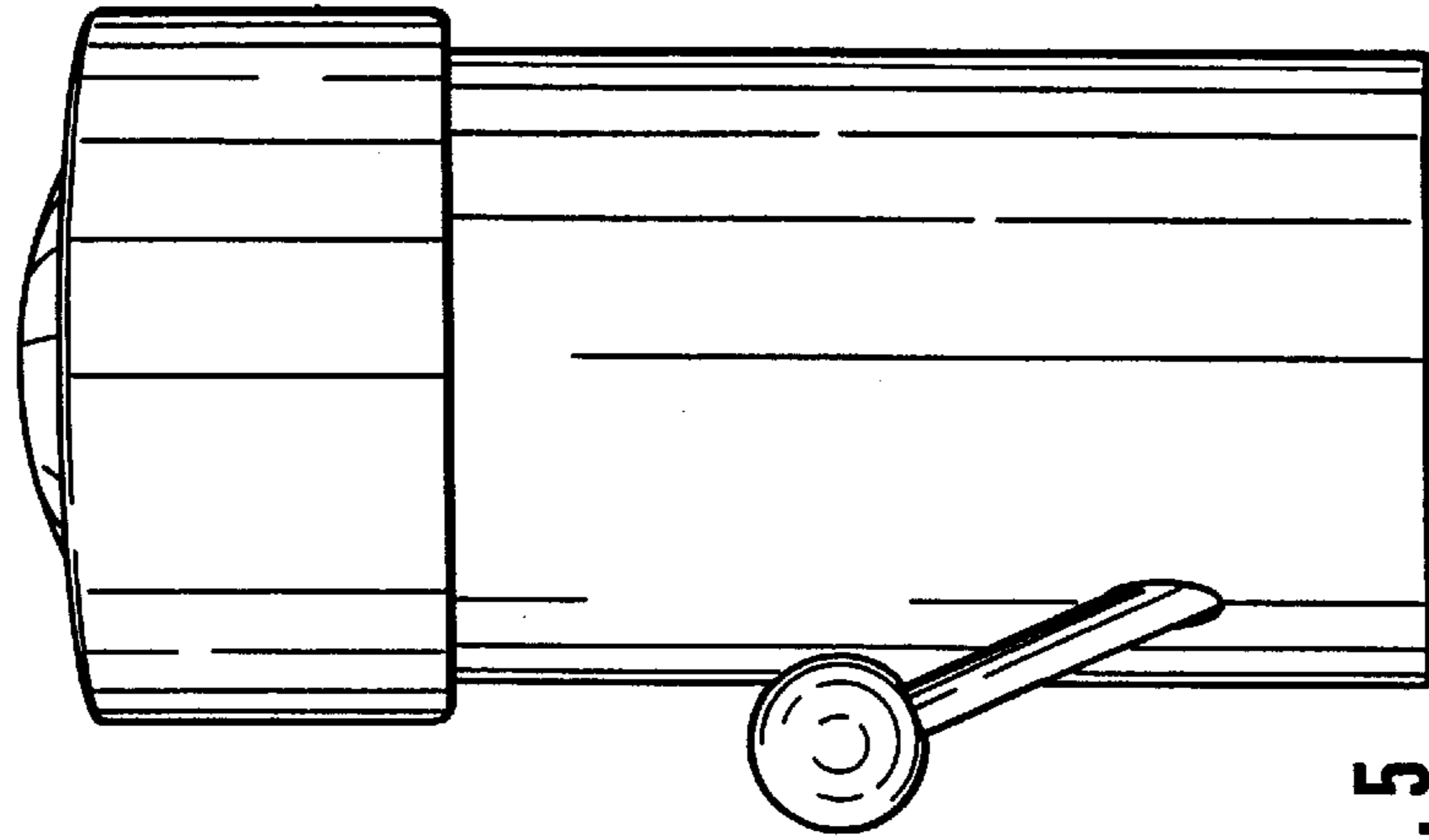


FIG. 5

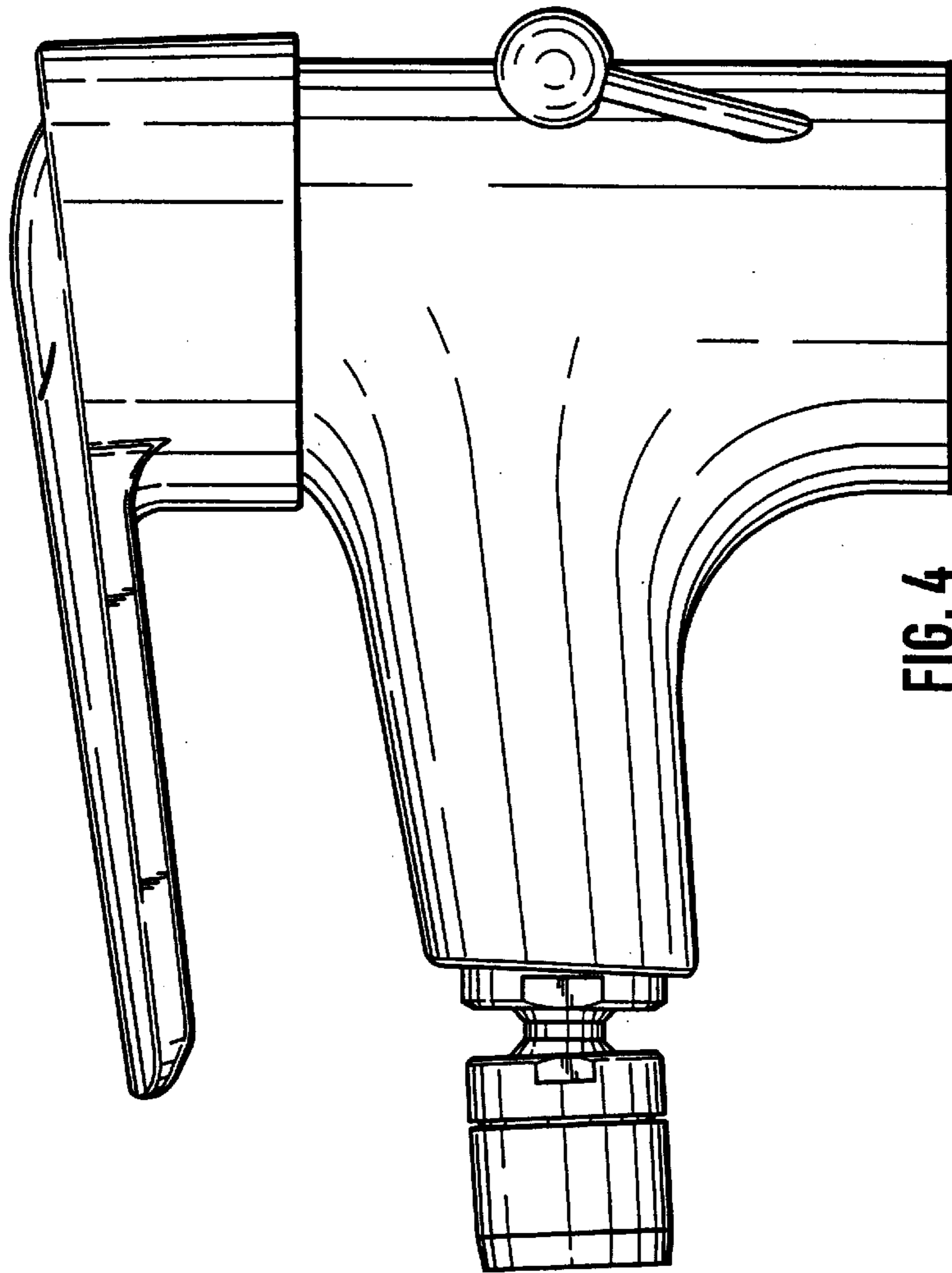


FIG. 4

FIG. 6

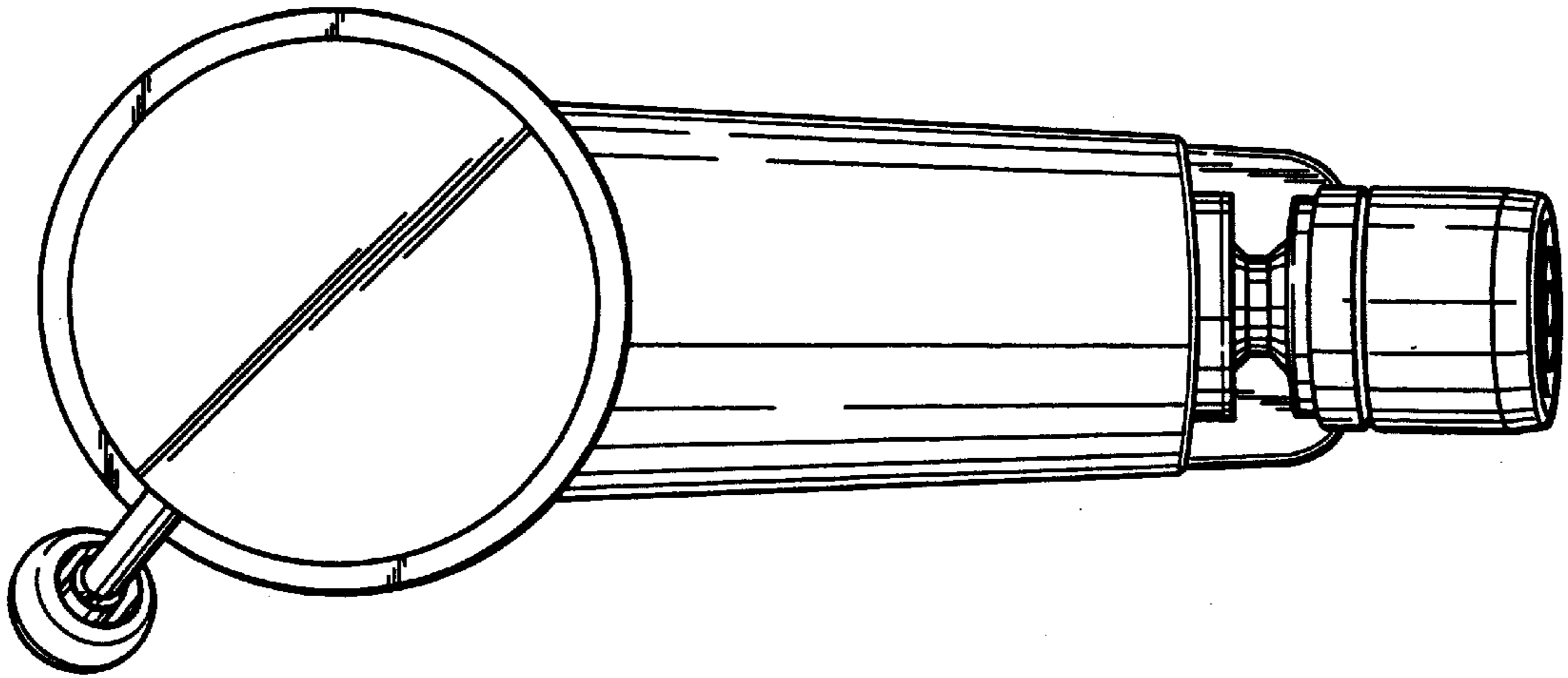


FIG. 7

