



US00D443338S

(12) **United States Design Patent**
Chang

(10) **Patent No.:** **US D443,338 S**

(45) **Date of Patent:** **** Jun. 5, 2001**

(54) **FAUCET**

(75) **Inventor:** **Ta-Chun Chang**, Taichung Hsien (TW)

(73) **Assignee:** **Globe Union Industrial Corp.**, Taiwan (CN)

(**) **Term:** **14 Years**

(21) **Appl. No.:** **29/122,170**

(22) **Filed:** **Apr. 20, 2000**

(51) **LOC (7) Cl.** **23-01**

(52) **U.S. Cl.** **D23/238**

(58) **Field of Search** D23/238-243,
D23/250-257; 4/675-678; 137/801

(56) **References Cited**

U.S. PATENT DOCUMENTS

- D. 368,764 * 4/1996 Hill et al. D23/238
- D. 421,291 * 2/2000 Fabian et al. D23/243
- D. 427,287 * 6/2000 Wei et al. D23/238

5,822,811 * 10/1998 Ko 4/678

* cited by examiner

Primary Examiner—Louis S. Zarfes

Assistant Examiner—Gregory Andoll

(74) *Attorney, Agent, or Firm*—Weingarten, Schurgen, Gagnebin & Hayes LLP

(57) **CLAIM**

The ornamental design for a faucet, as shown and described.

DESCRIPTION

FIG. 1 is a perspective view of a faucet showing my new design;

FIG. 2 is a front elevational view thereof;

FIG. 3 is a rear elevational view thereof;

FIG. 4 is a left side elevational view thereof;

FIG. 5 is a right side elevational view thereof;

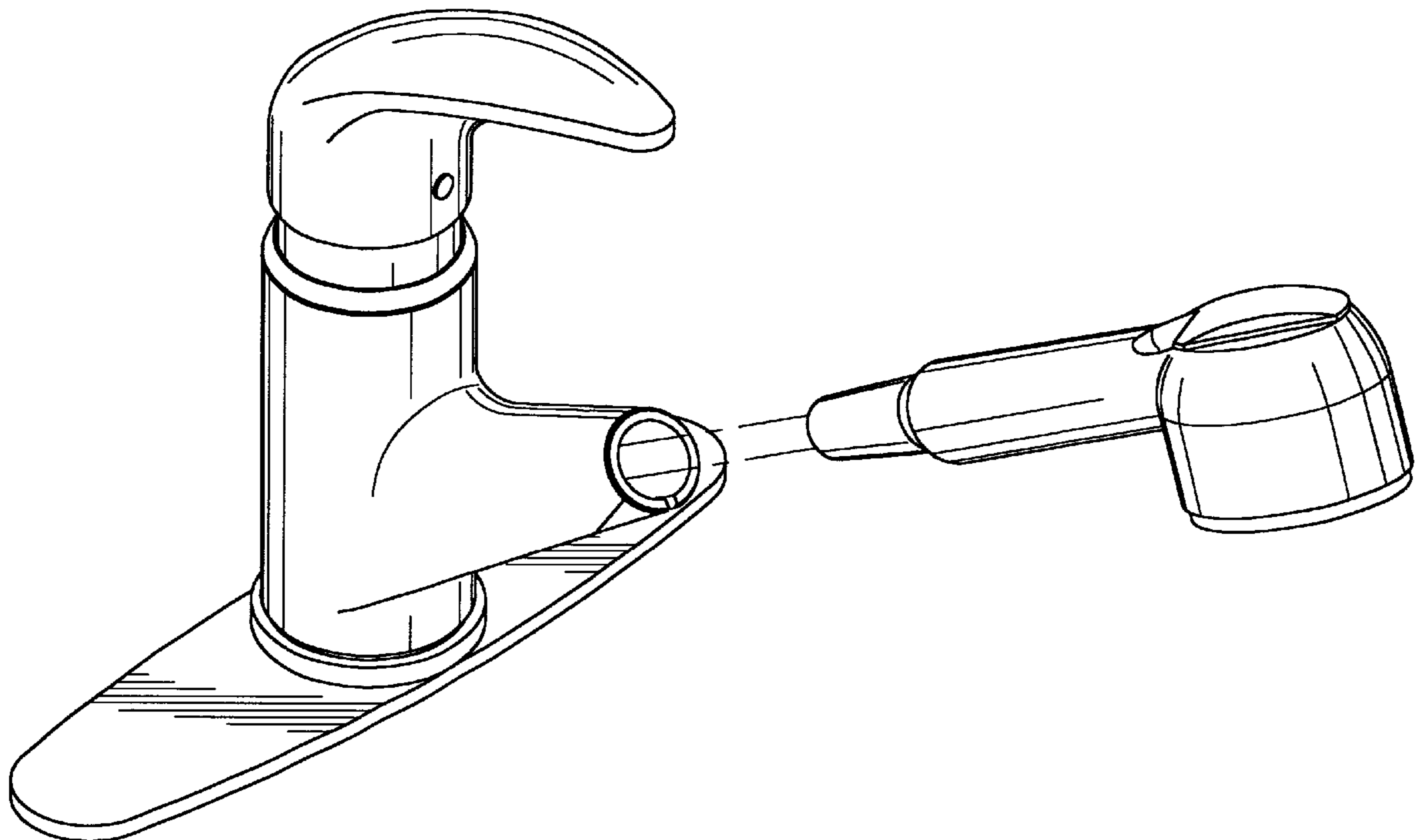
FIG. 6 is a top plan view thereof;

FIG. 7 is a bottom plan view thereof; and,

FIG. 8 is an exploded perspective view thereof.

The broken lines in FIG. 8 are for illustrative purposes only and form no part of the claimed design.

1 Claim, 6 Drawing Sheets



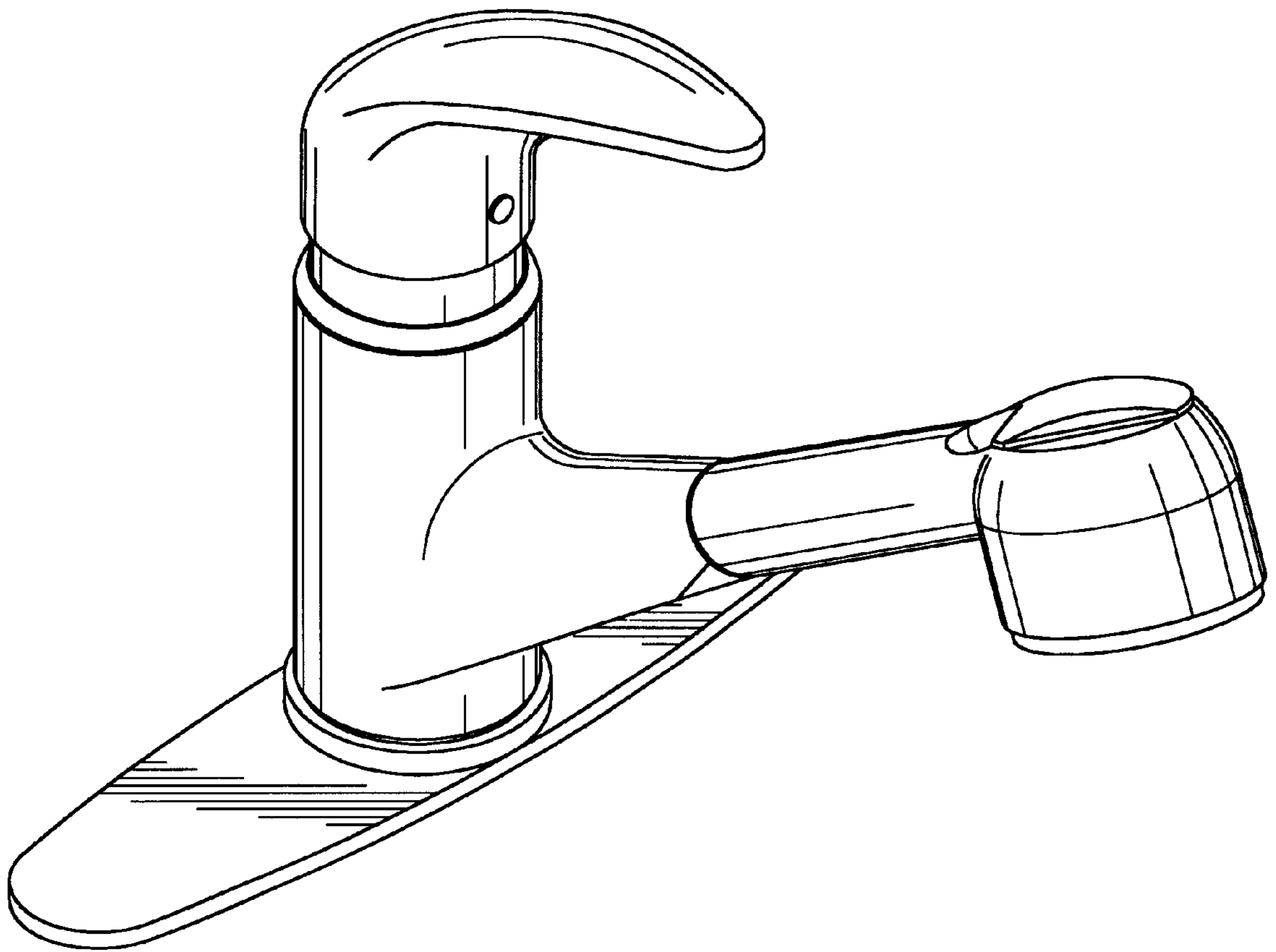


FIG. 1

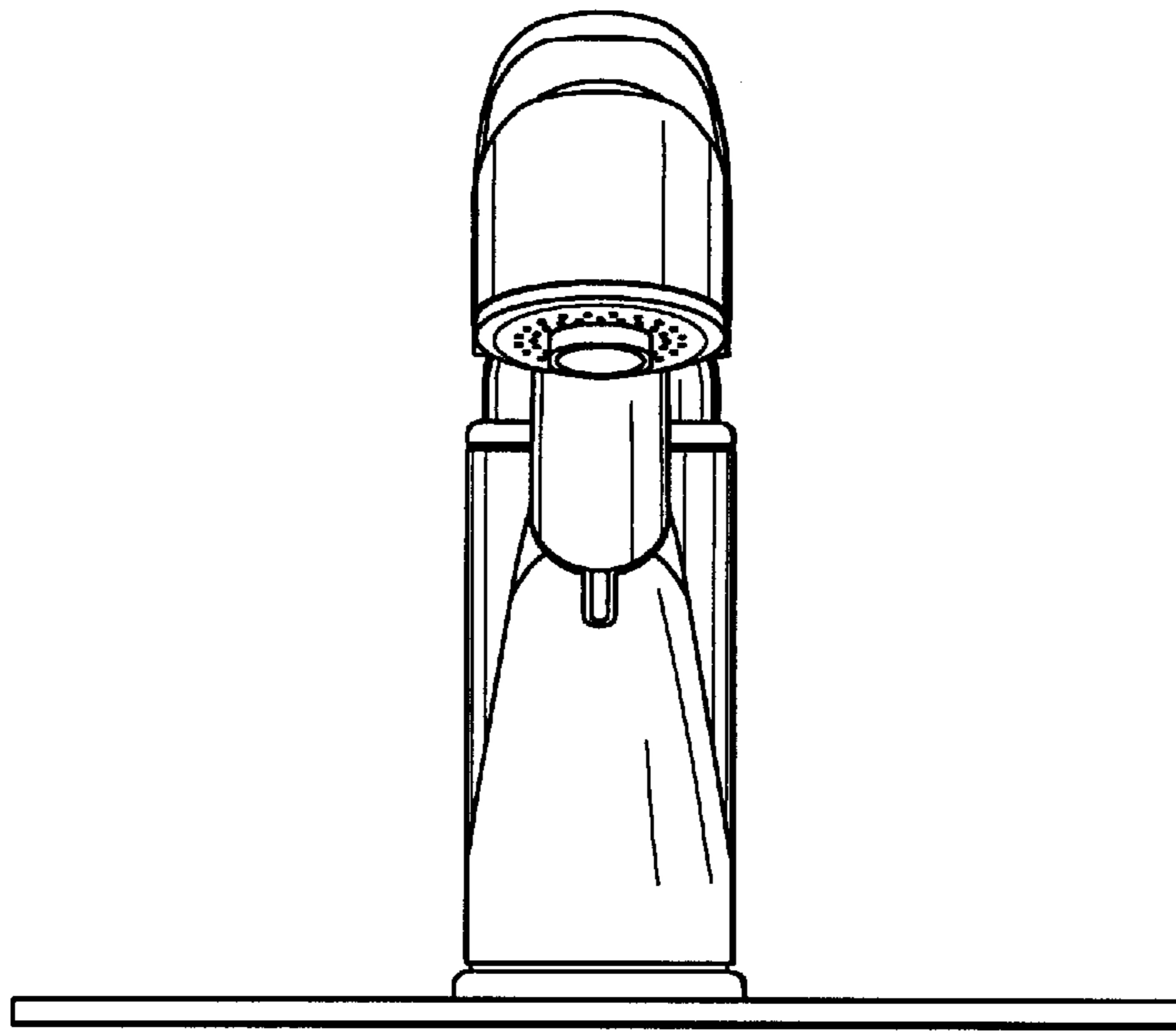


FIG. 2

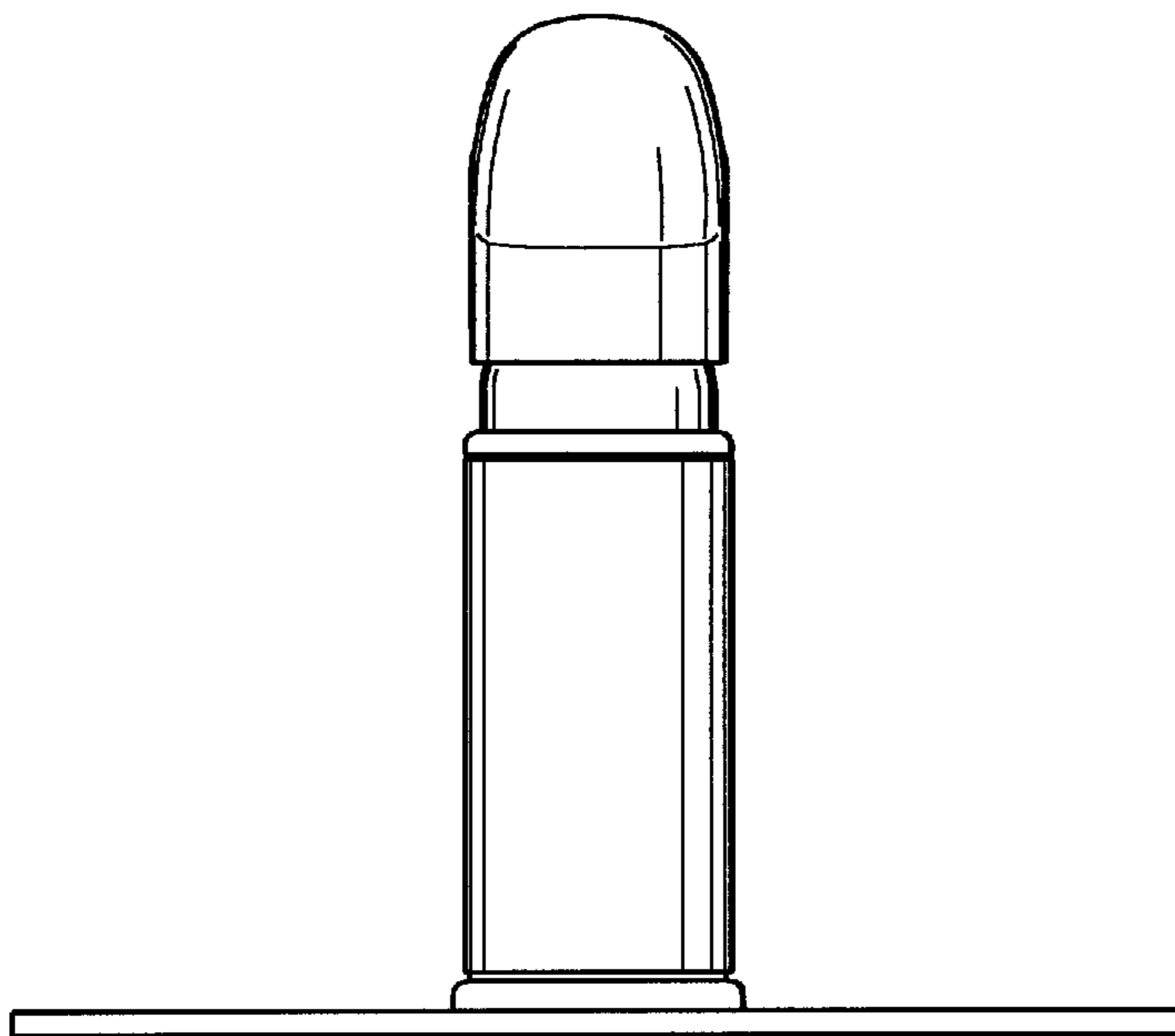


FIG. 3

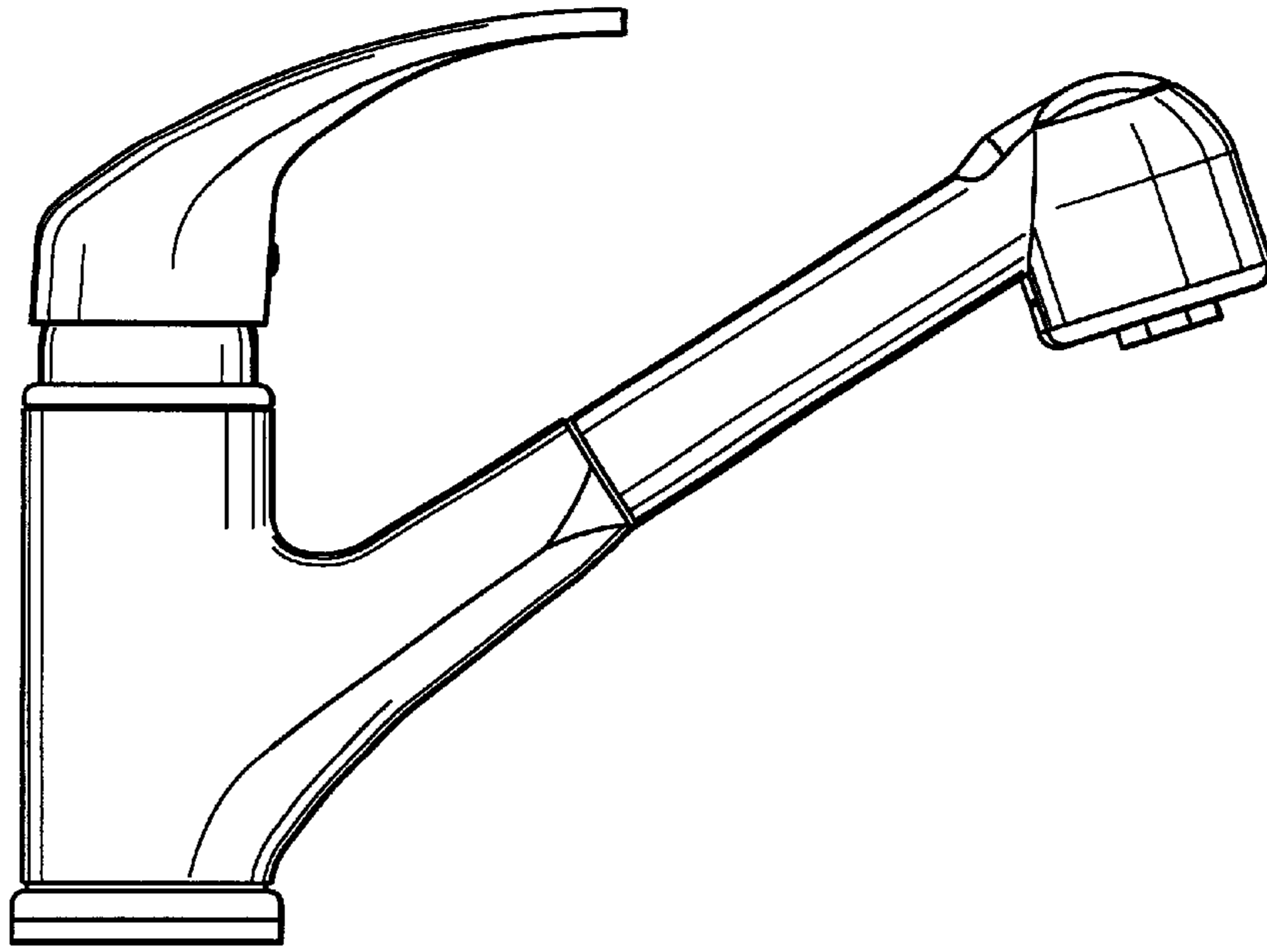


FIG. 4

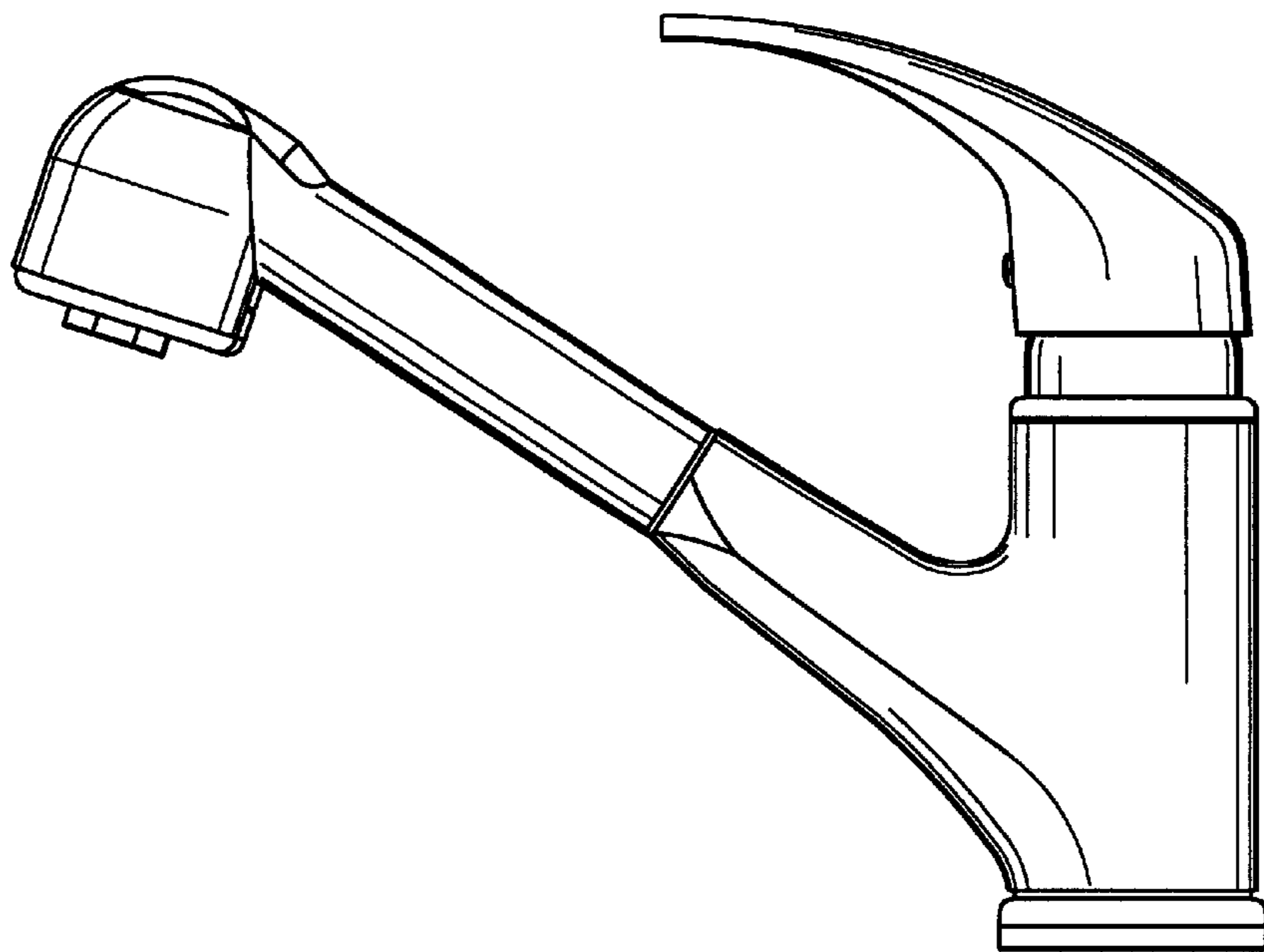


FIG. 5

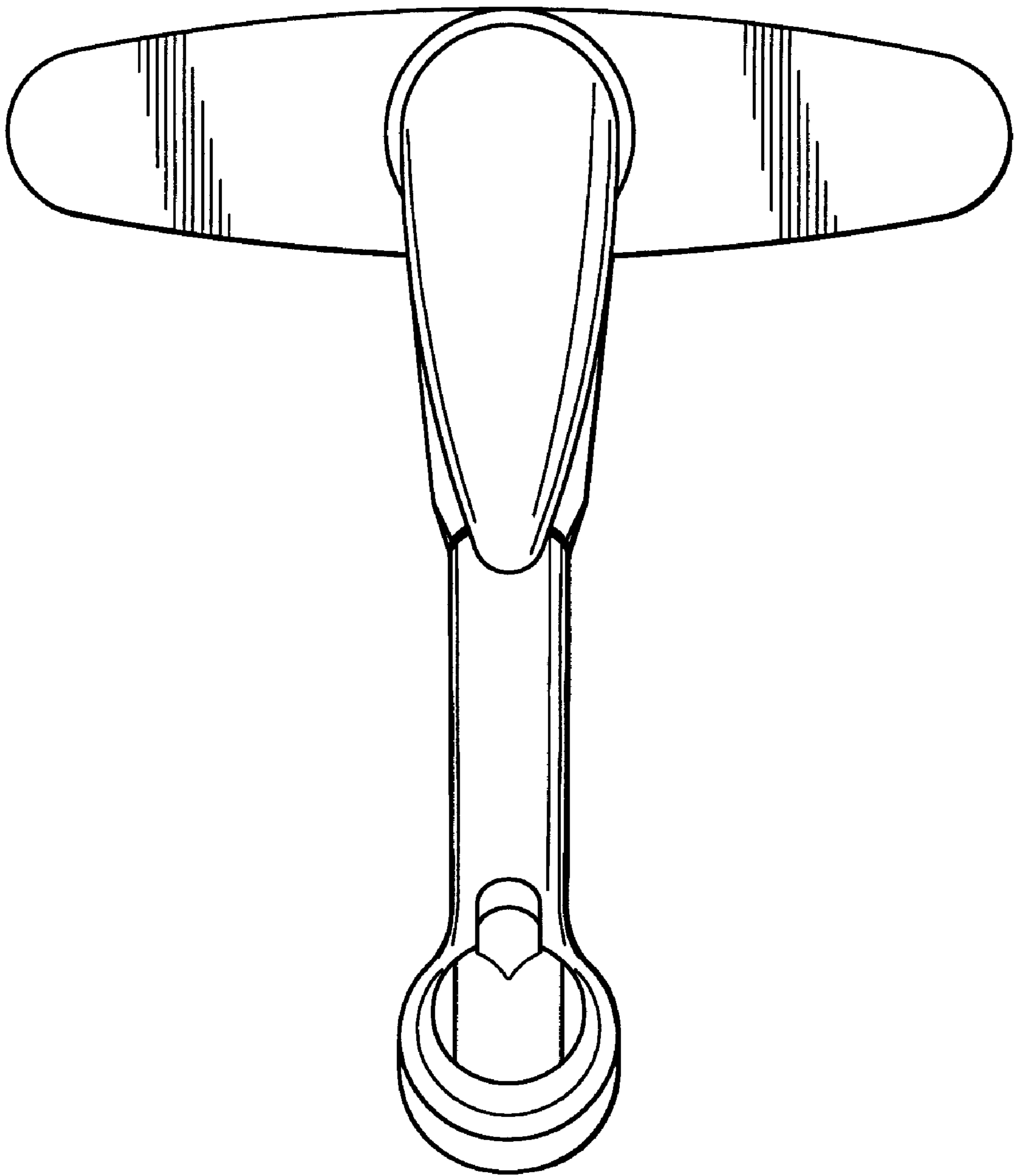


FIG. 6

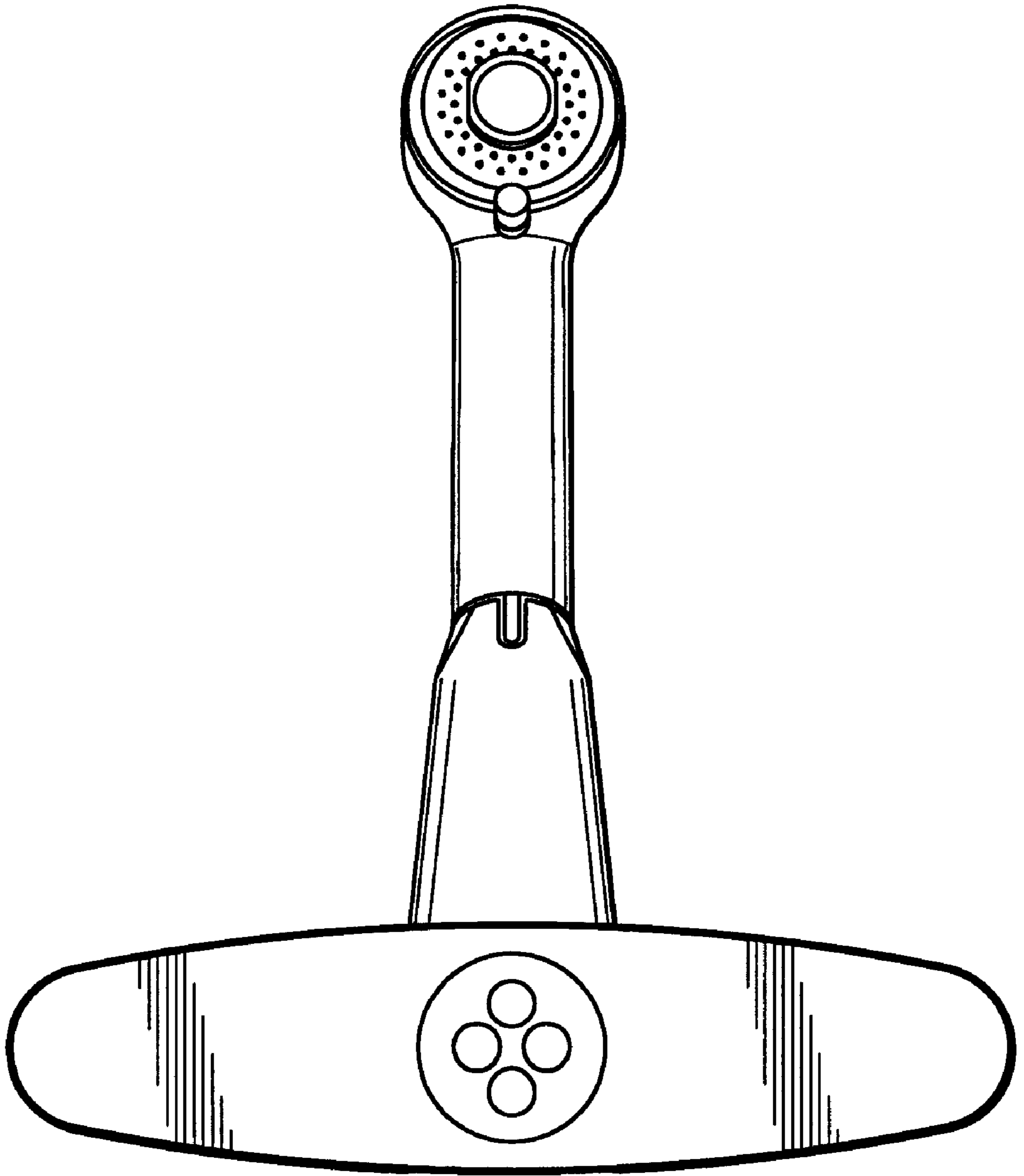


FIG. 7

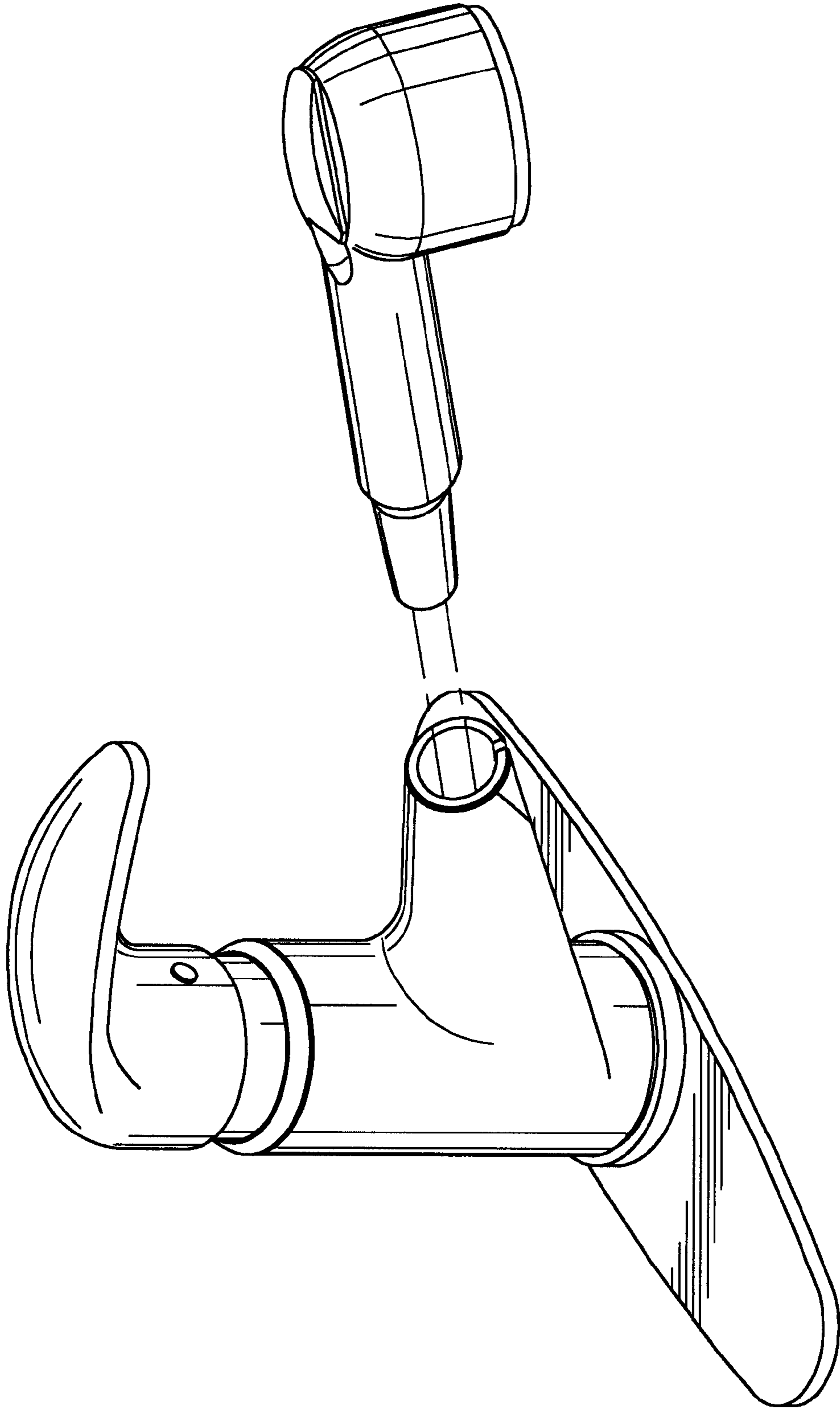


FIG. 8