



US00D443335S

(12) **United States Design Patent**
Andrus

(10) **Patent No.:** **US D443,335 S**

(45) **Date of Patent:** **** Jun. 5, 2001**

(54) **SHOWER HEAD**

(75) **Inventor:** **Leonard C. Andrus**, W. Bloomfield,
MI (US)

(73) **Assignee:** **Brass-Craft Manufacturing Company**,
Novi, MI (US)

(**) **Term:** **14 Years**

(21) **Appl. No.:** **29/027,251**

(22) **Filed:** **Aug. 9, 1994**

(51) **LOC (7) Cl.** **23-01**

(52) **U.S. Cl.** **D23/213**

(58) **Field of Search** D23/213, 223,
D23/226, 228-229, 230

(56) **References Cited**

U.S. PATENT DOCUMENTS

- D. 268,359 * 3/1983 Klose D23/213
- D. 313,456 * 1/1991 Presman D23/213

- D. 313,833 * 1/1991 Presman D23/213
- D. 315,191 * 3/1991 Mikol D23/213
- 4,588,130 * 5/1986 Trenary et al. 239/381
- 4,629,125 * 12/1986 Liu 239/383

* cited by examiner

Primary Examiner—Robin V. Taylor

(74) *Attorney, Agent, or Firm*—Myron B. Kapustij; Lloyd
D. Doigan

(57) **CLAIM**

The ornamental design for a shower head, as shown and
described.

DESCRIPTION

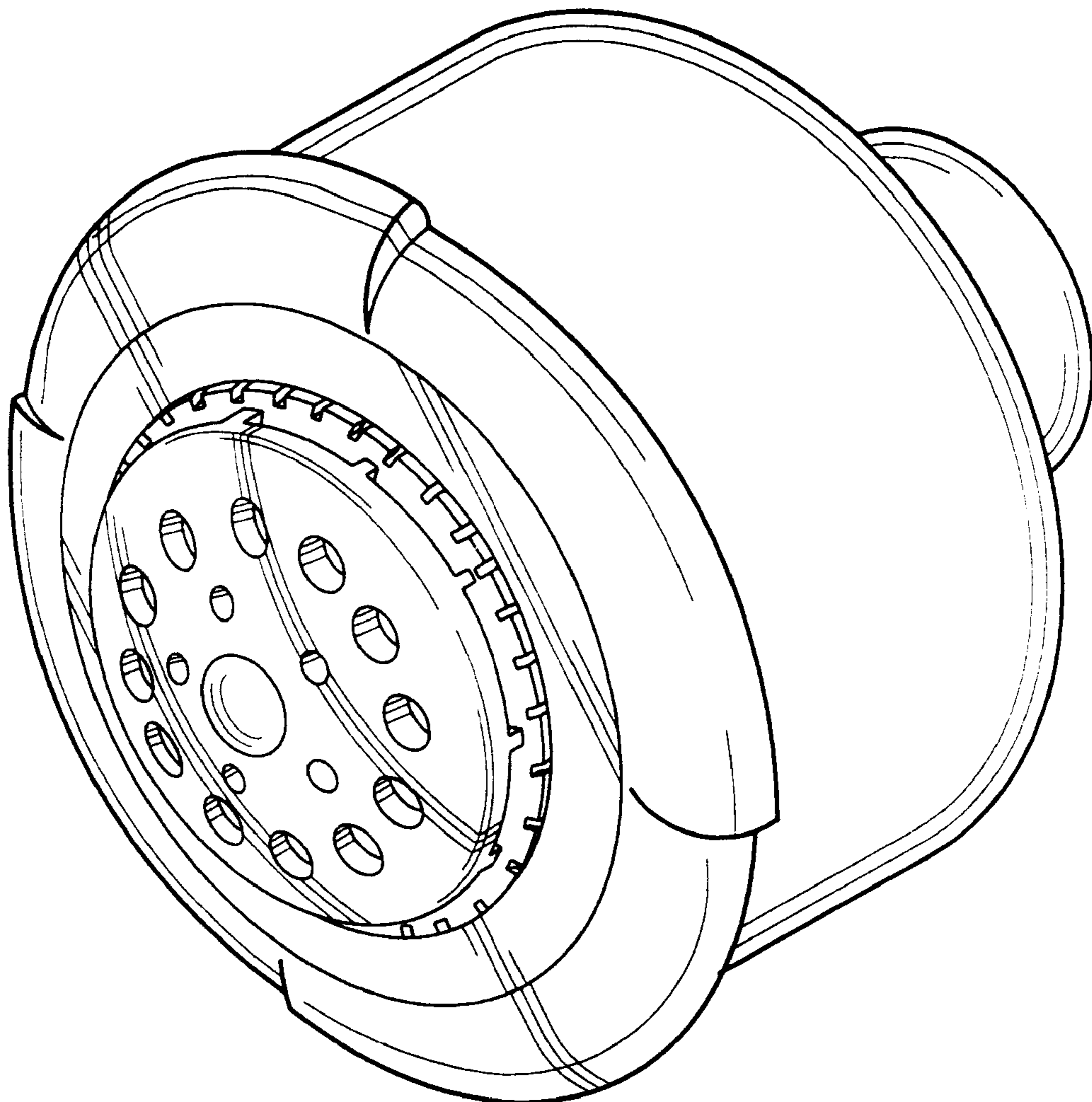
FIG. 1 is a front perspective view of a shower head showing
my new design;

FIG. 2 is a front elevational view thereof;

FIG. 3 is a side elevational view thereof, the opposite side
being a mirror image; and,

FIG. 4 is a rear elevational view thereof.

1 Claim, 2 Drawing Sheets



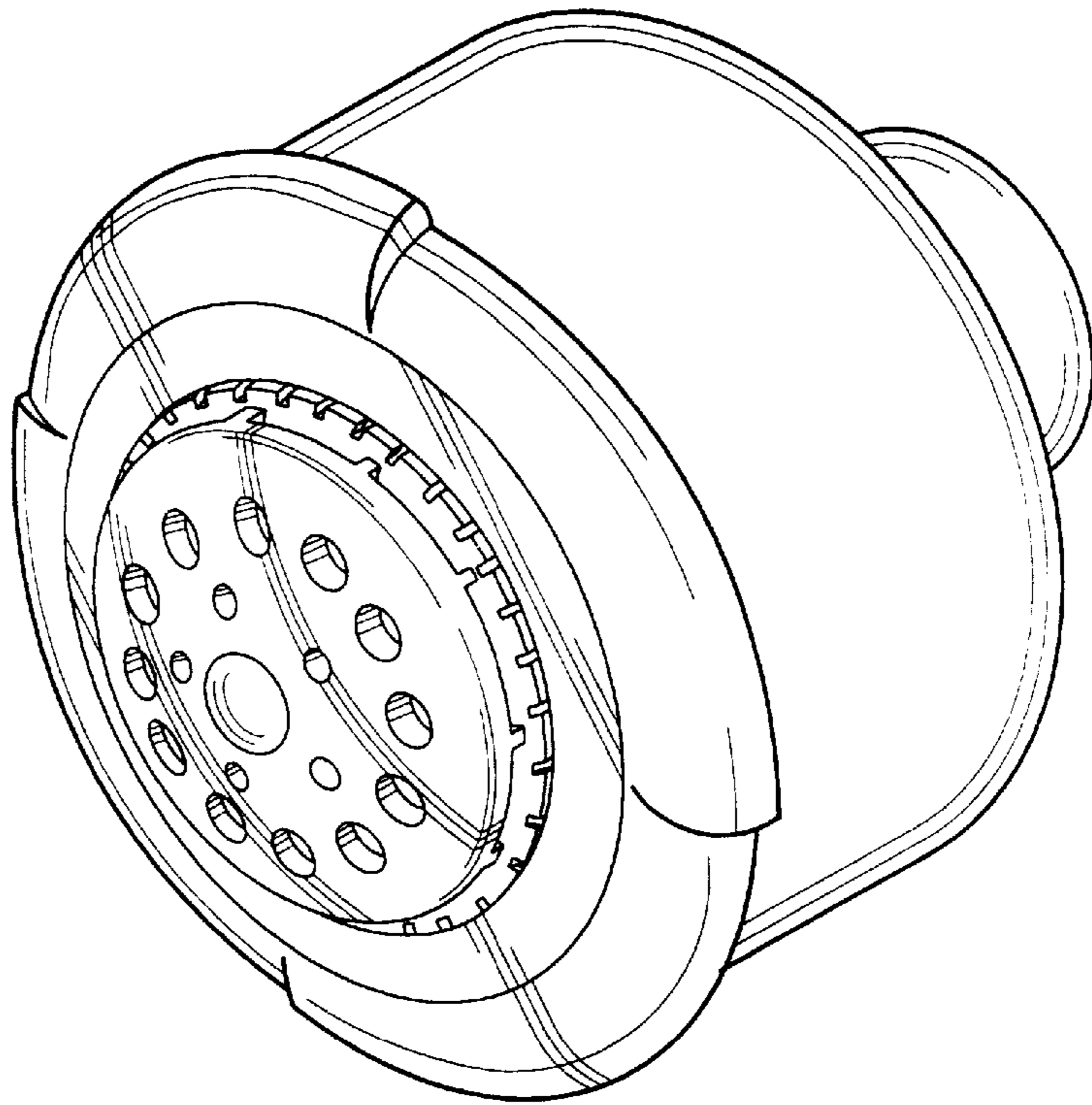


Fig-1

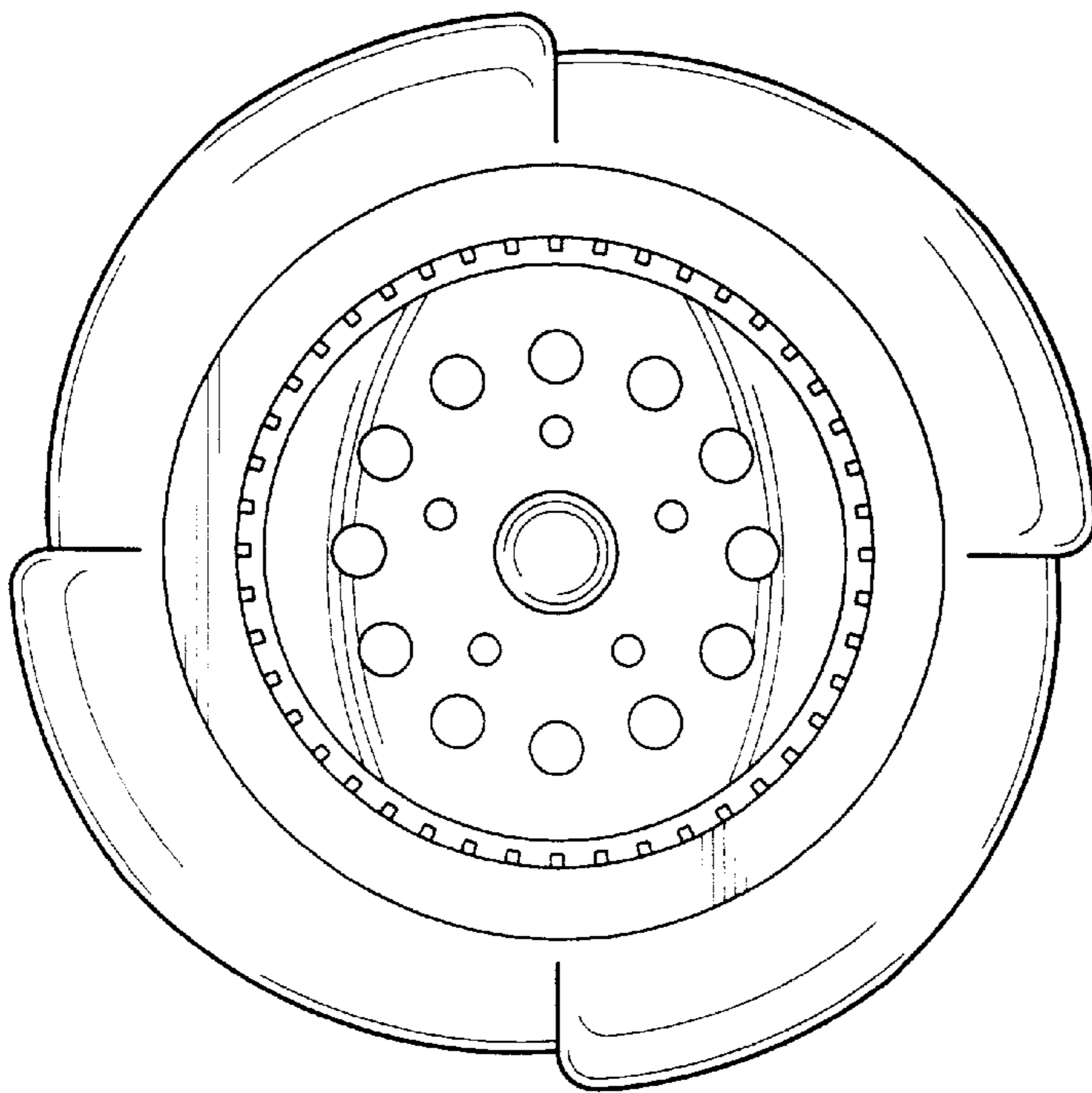


Fig-2

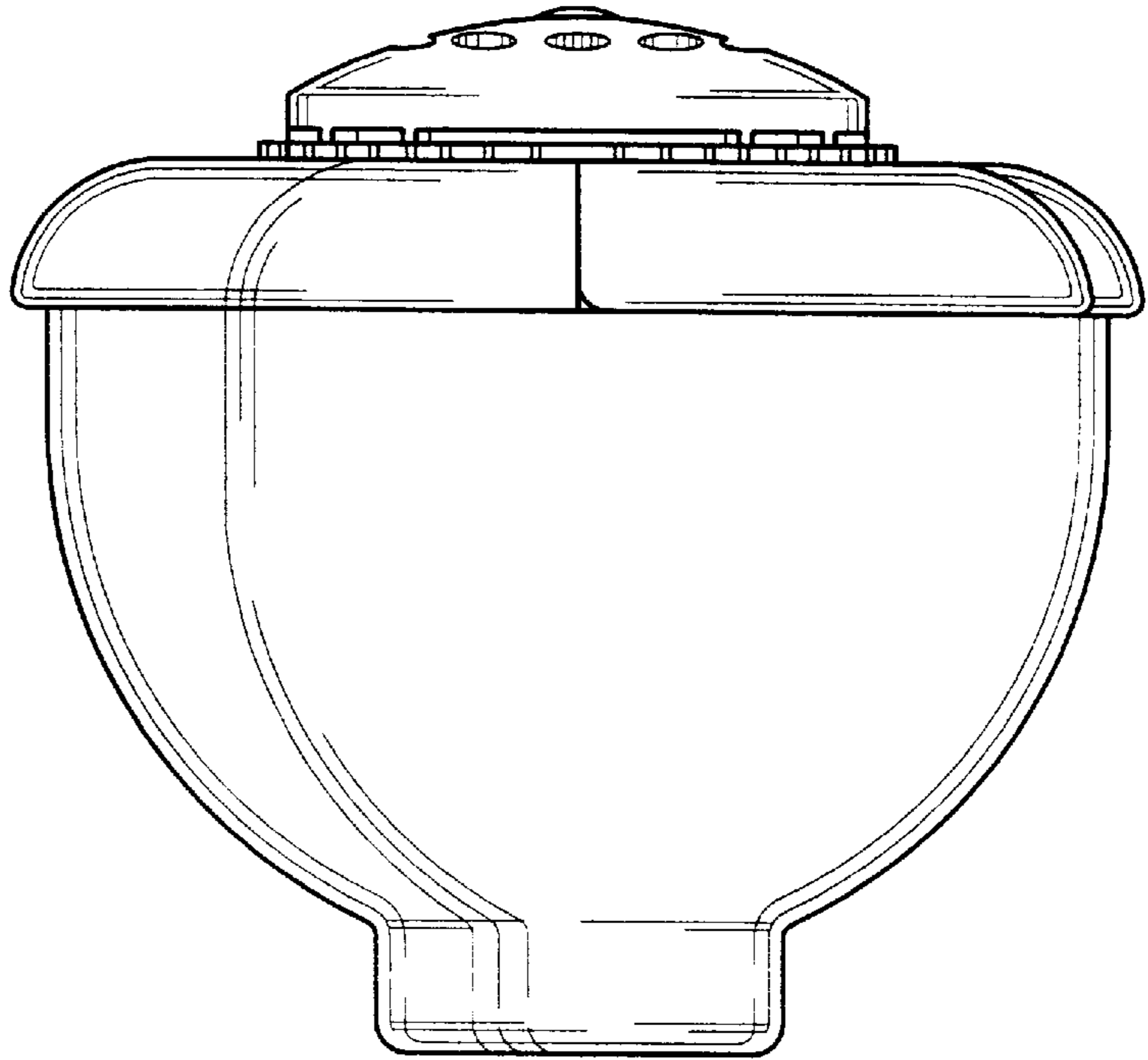


Fig-3

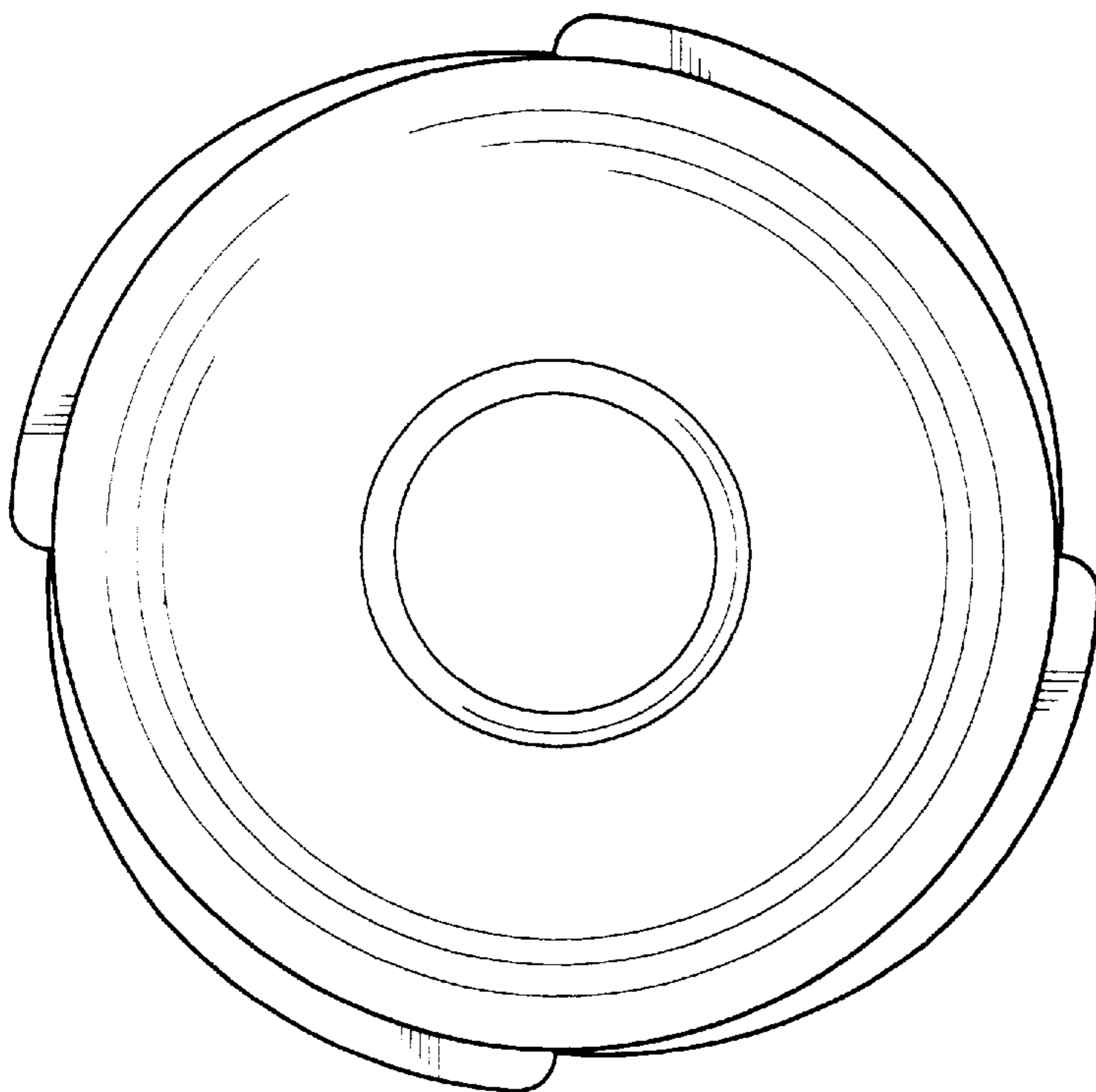


Fig-4