



US00D44333S

(12) **United States Design Patent**
Gibson

(10) **Patent No.:** **US D443,333 S**

(45) **Date of Patent:** **** Jun. 5, 2001**

(54) **FISHING REEL**

(75) **Inventor:** **Stephen E. Gibson**, Columbia, SC
(US)

(73) **Assignee:** **Shakespeare Company**, Columbia, SC
(US)

(**) **Term:** **14 Years**

(21) **Appl. No.:** **29/119,832**

(22) **Filed:** **Mar. 9, 2000**

(51) **LOC (7) Cl.** **22-05**

(52) **U.S. Cl.** **D22/140**

(58) **Field of Search** D22/140, 141,
D22/137; 242/234-240, 310, 311, 312,
314, 319, 323; 43/20, 22

(56) **References Cited**

U.S. PATENT DOCUMENTS

D. 156,337	*	12/1949	Hammer	D22/140
D. 290,987	*	7/1987	Robbins et al.	D22/141
D. 314,603	*	2/1991	Jackson et al.	D22/141
D. 404,109		1/1999	Zwayer et al.	.	
3,259,333		7/1966	Hull	.	
3,836,092		9/1974	Hull	.	
5,988,548	*	11/1999	Chapman et al.	242/310
6,138,935	*	10/2000	Zwayer et al.	242/311

OTHER PUBLICATIONS

Rods & Reels—South Bend—Spincast Reels. 1997, p. 8.*
Rods & Reels—South Bend—Spincast Reels. 1997, p. 9.*

* cited by examiner

Primary Examiner—Louis S. Zarfaz

Assistant Examiner—Catherine R. Oliver

(74) *Attorney, Agent, or Firm*—Nelson Mullins Riley & Scarborough

(57) **CLAIM**

The ornamental design of a fishing reel, substantially as shown and described.

DESCRIPTION

FIG. 1 is a perspective view of a fishing reel embodying the design of the present invention.

FIG. 2 is a right side view of the fishing reel illustrated in FIG. 1.

FIG. 3 is a top view of the fishing reel of FIG. 1.

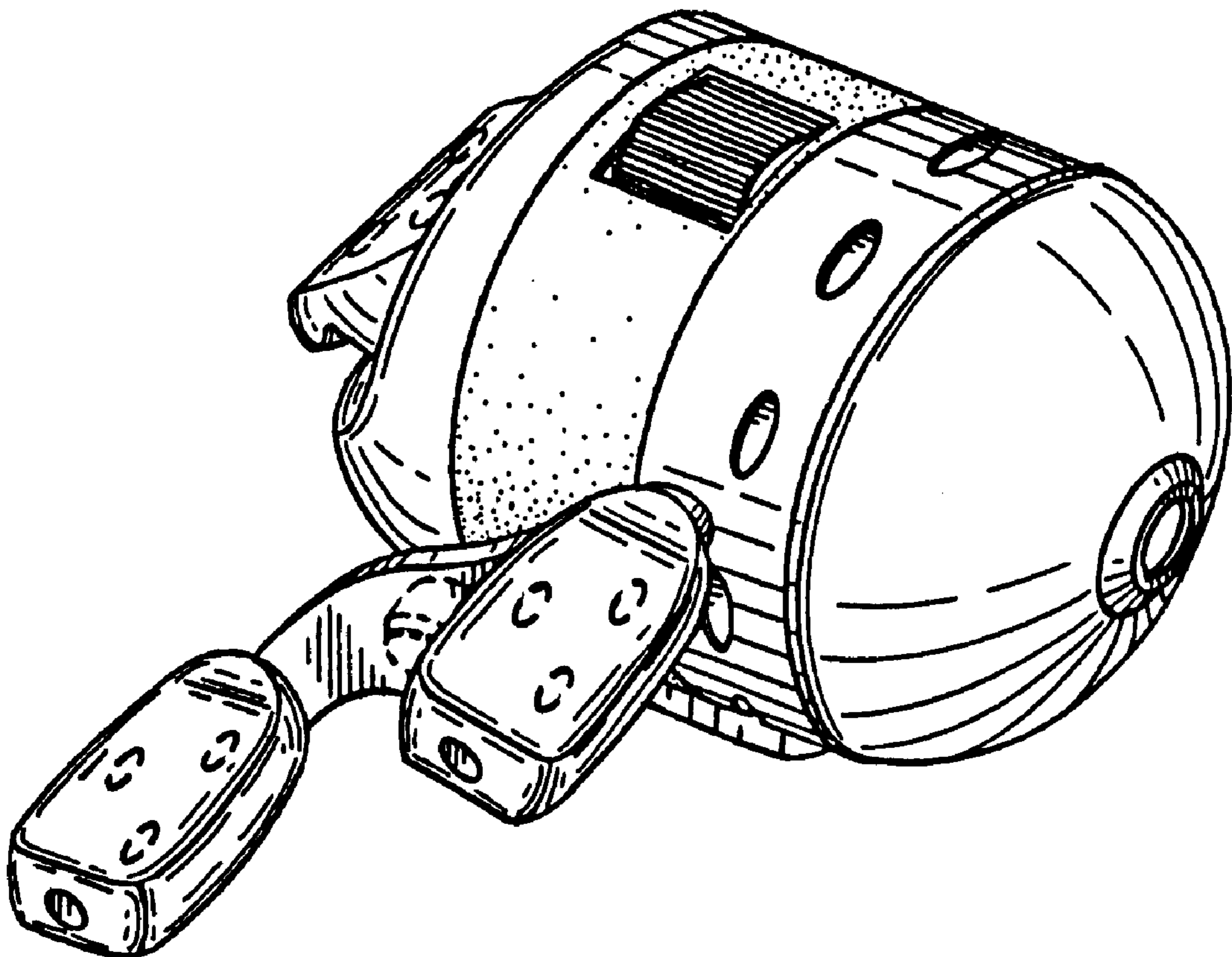
FIG. 4 is a left side view of the fishing reel of FIG. 1.

FIG. 5 is a bottom view of the fishing reel of FIG. 1.

FIG. 6 is a rear end view of the fishing reel of FIG. 1; and, FIG. 7 is a front end view of the fishing reel illustrated in FIG. 1.

The broken line showing of environment in the drawings is for illustrative purposes only and forms no part of the claimed design.

1 Claim, 3 Drawing Sheets



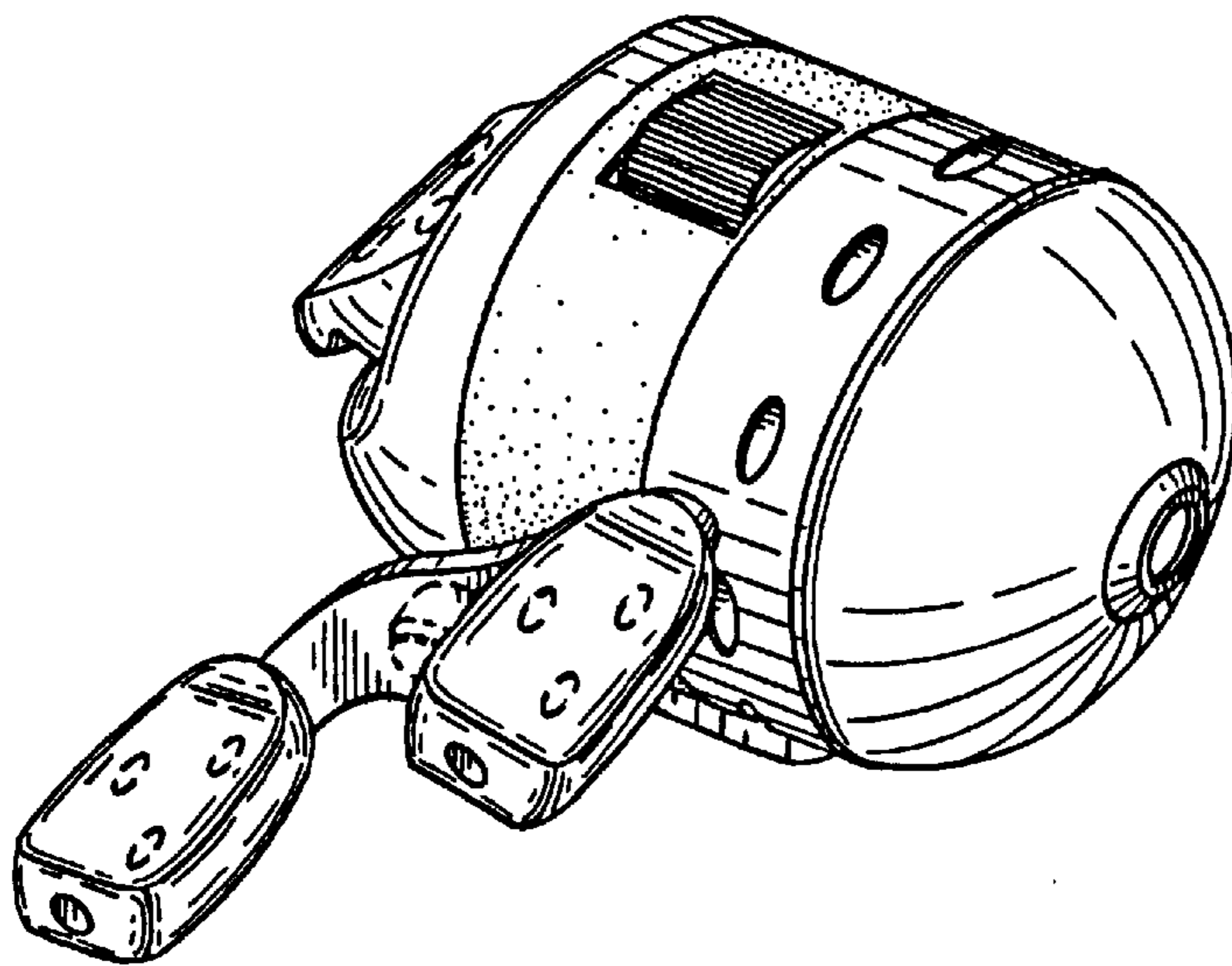


FIG. 1.

FIG. 2.

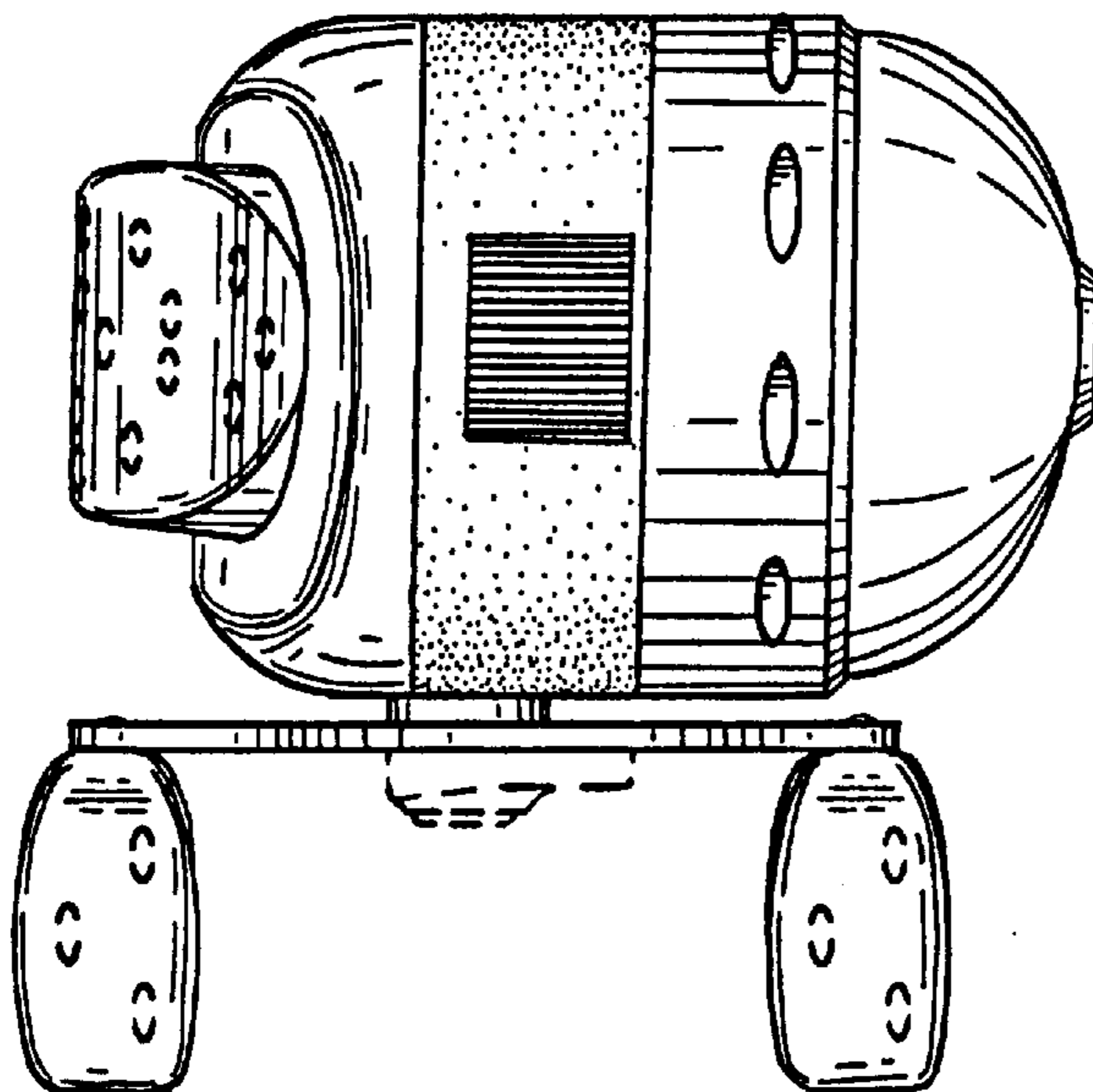
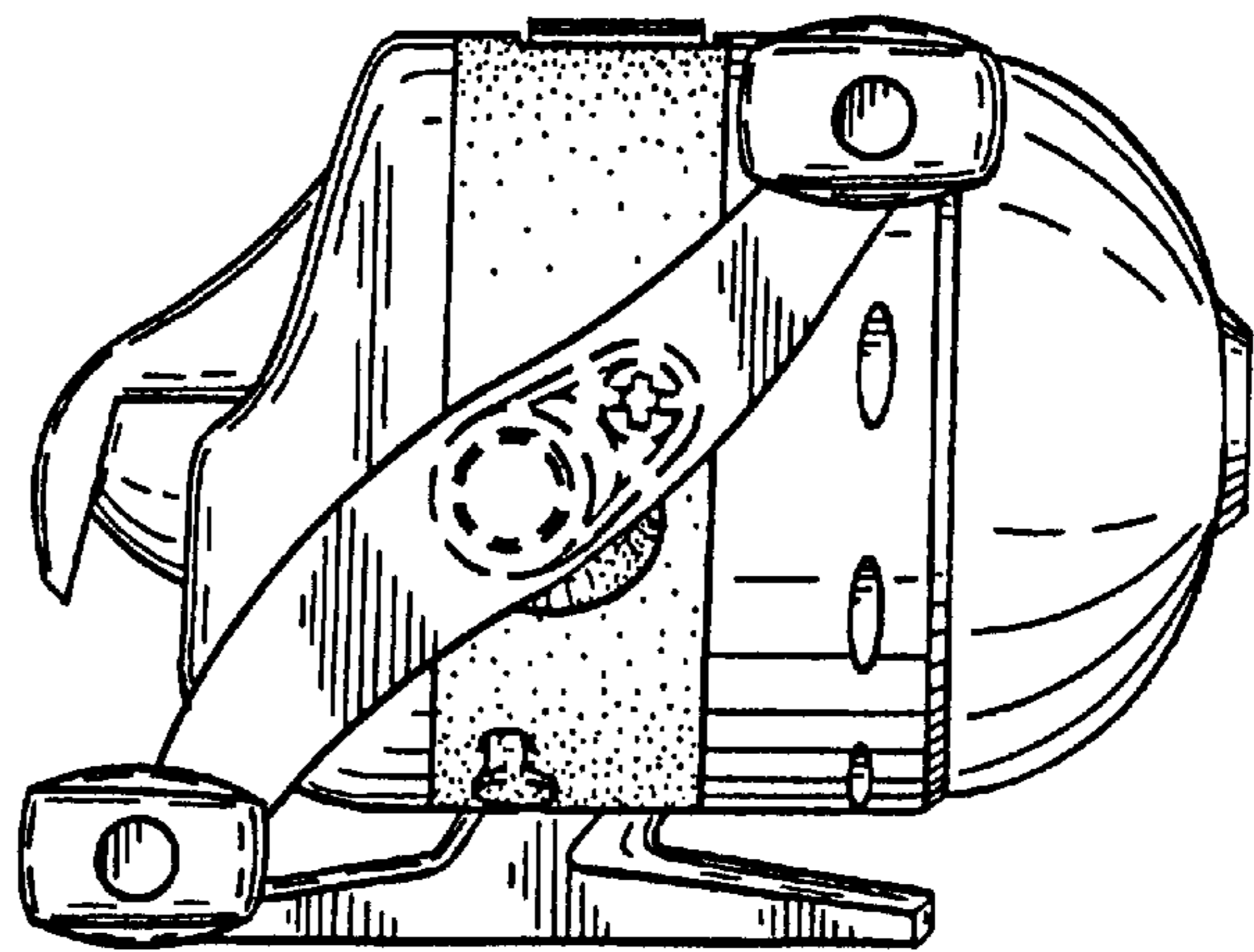


FIG. 3.

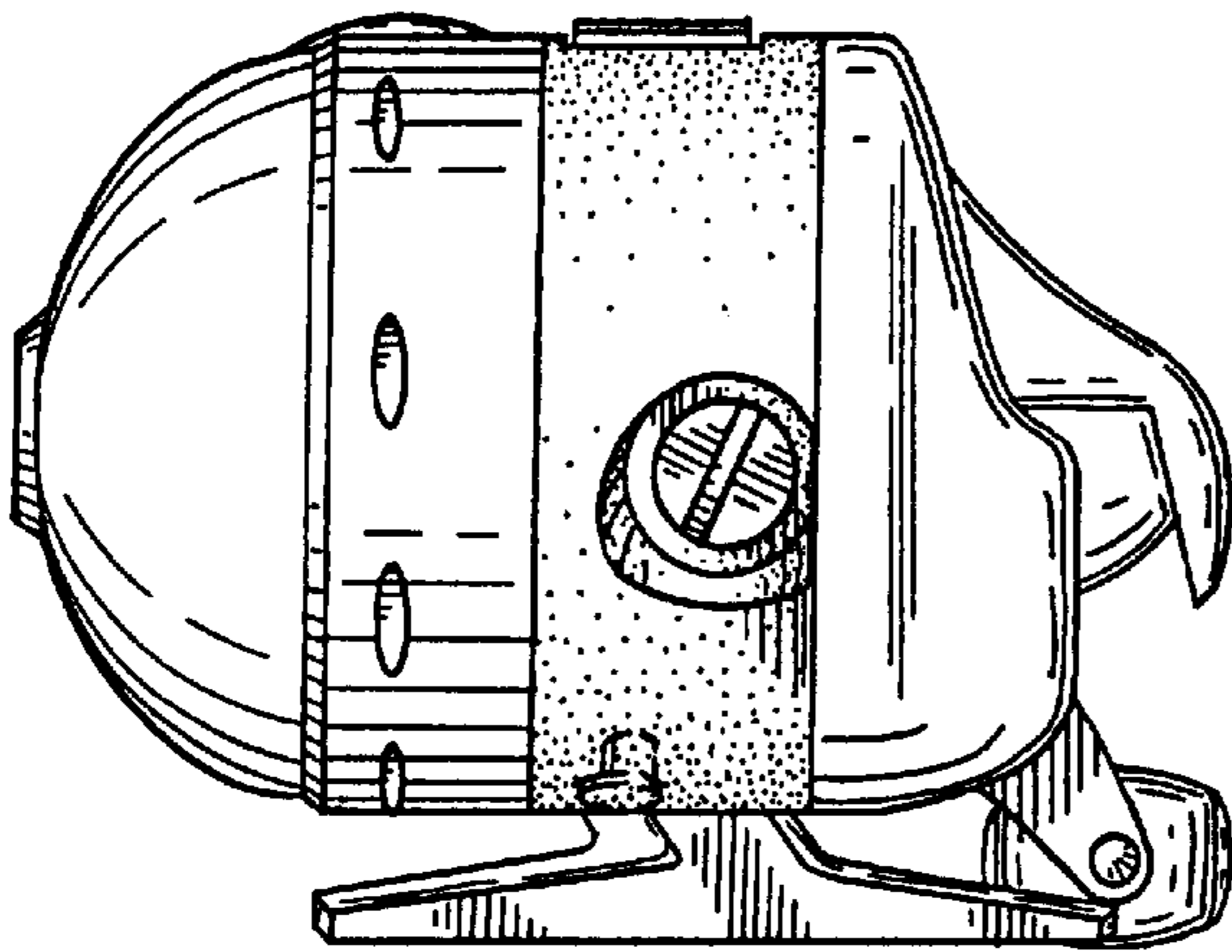


FIG. 4.

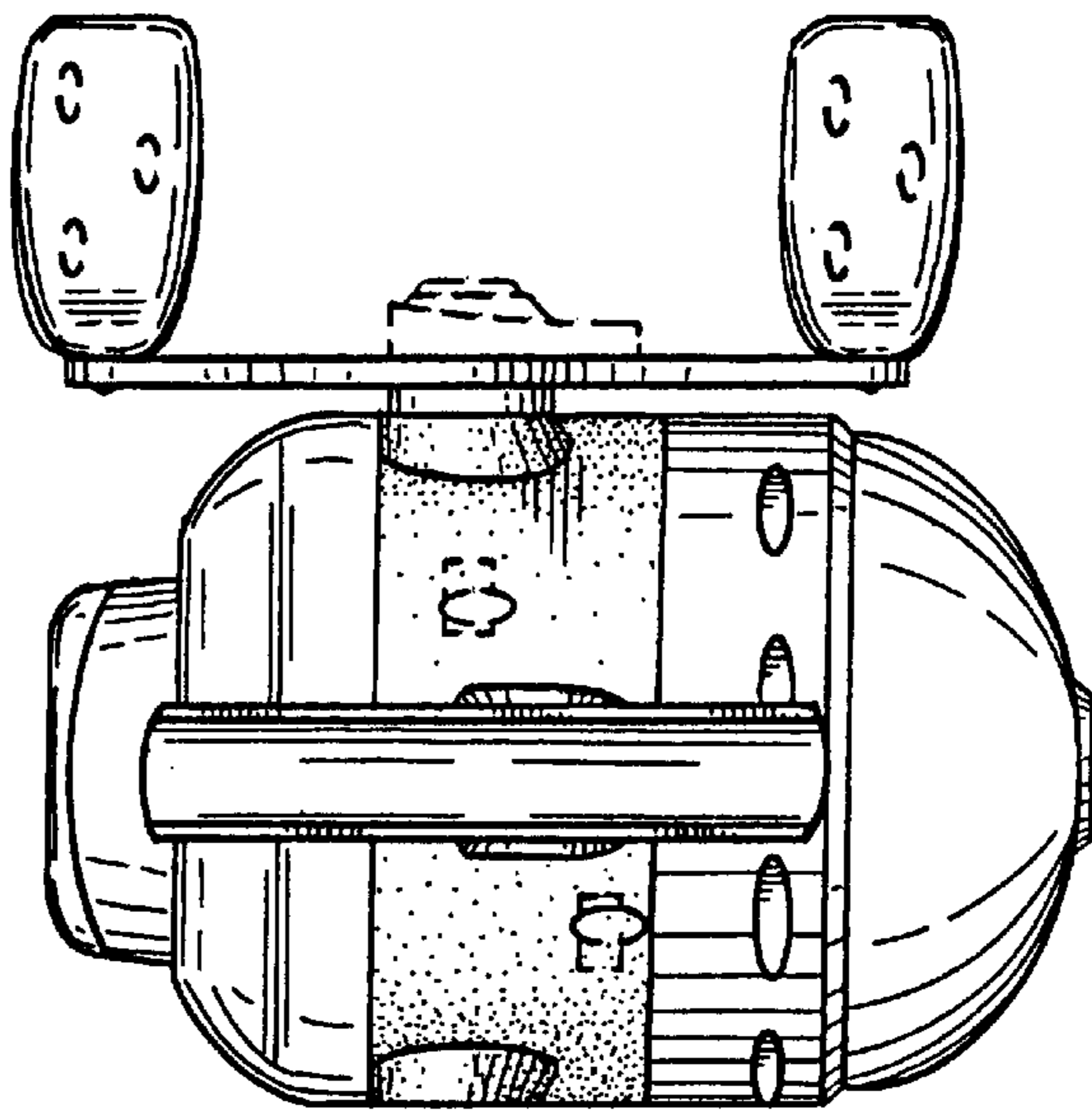


FIG. 5.

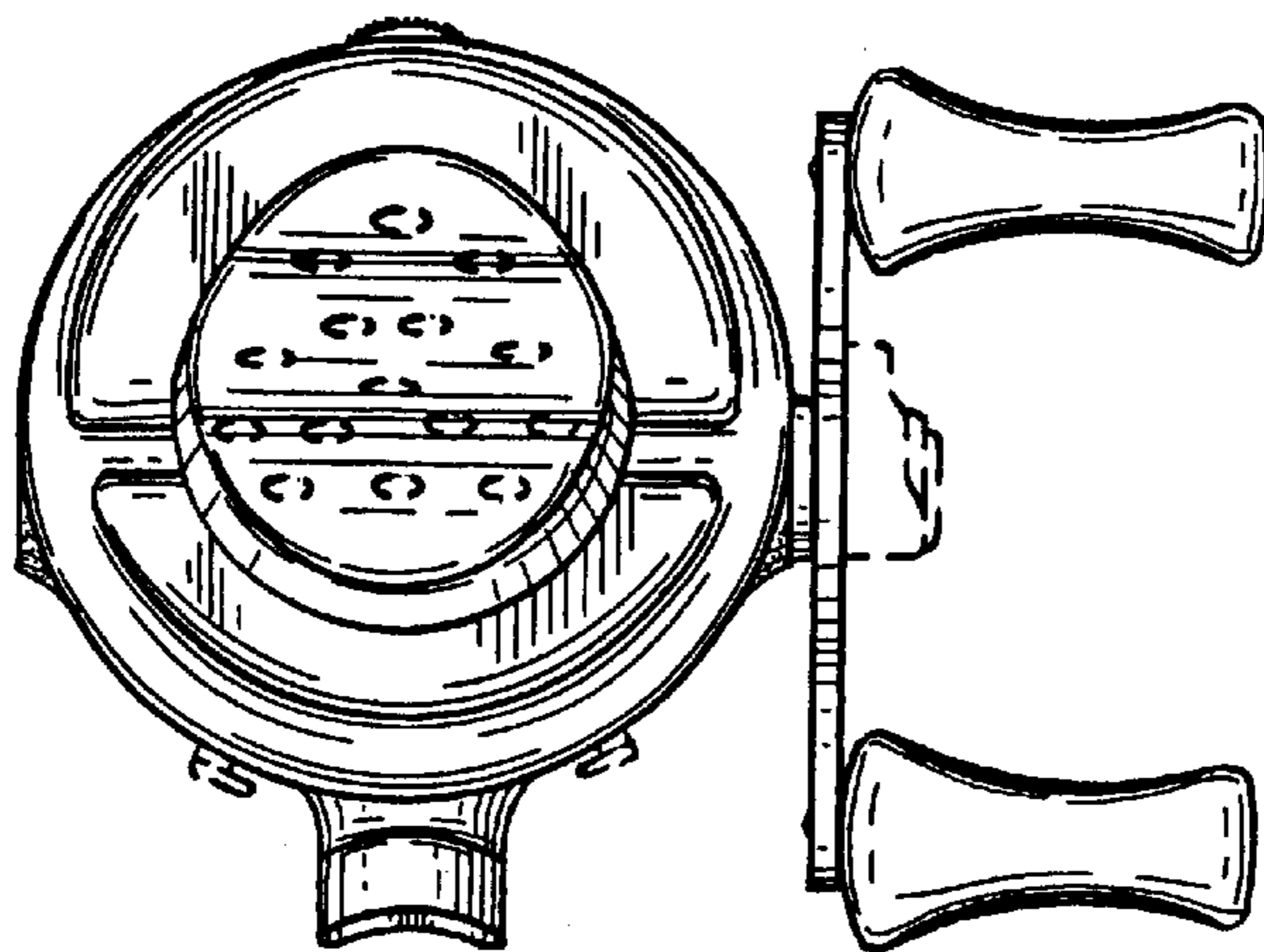


FIG. 6.

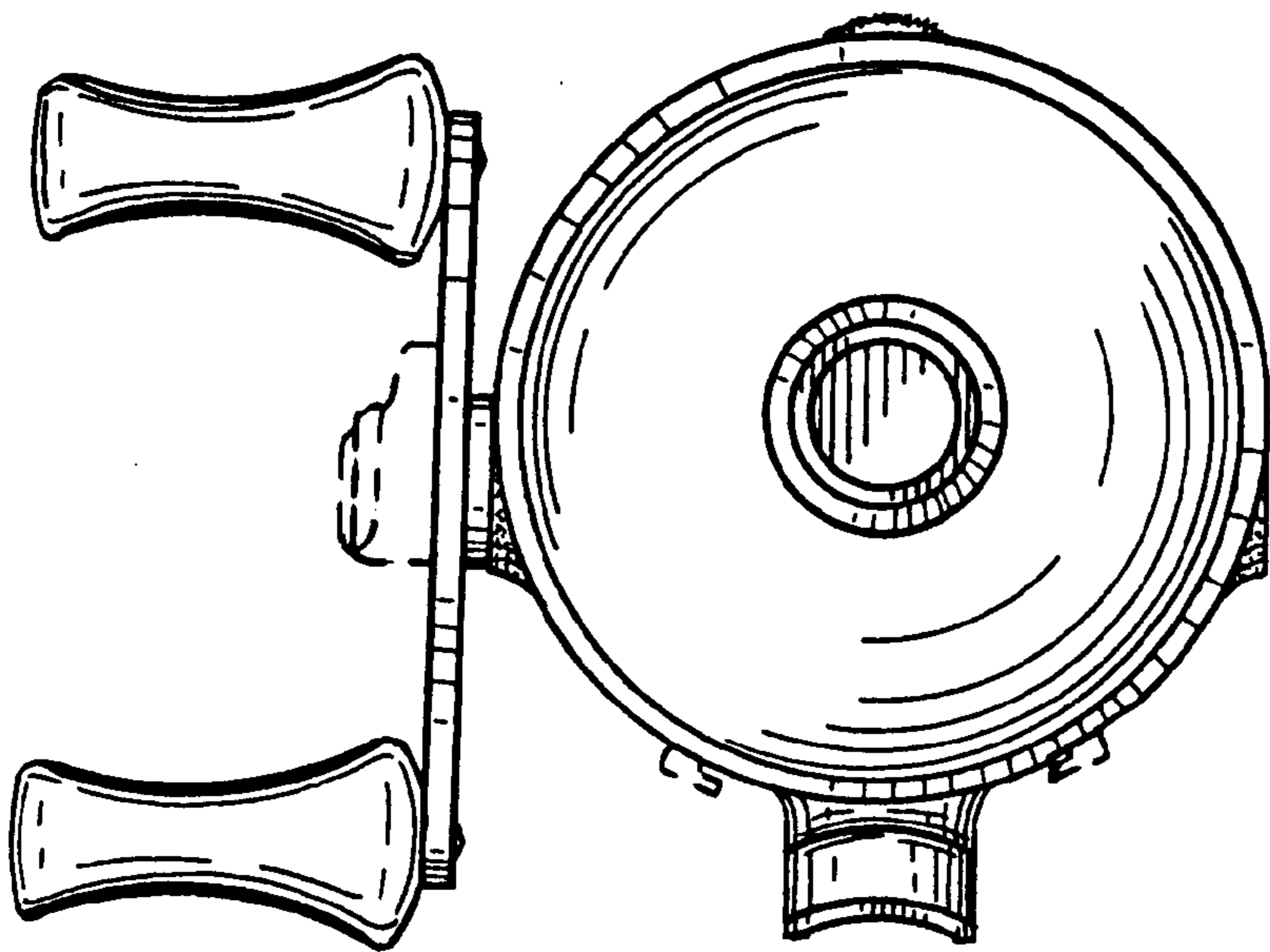


FIG. 7.