



US00D443330S

(12) **United States Design Patent**
Sartori

(10) **Patent No.:** **US D443,330 S**

(45) **Date of Patent:** **** Jun. 5, 2001**

(54) **RIDE CAR FOR AMUSEMENT PARKS**

(75) Inventor: **Claudio Sartori, Montagnana (IT)**

(73) Assignee: **Sartori Import-Export S.r.l., Padua (IT)**

(**) Term: **14 Years**

(21) Appl. No.: **29/114,068**

(22) Filed: **Nov. 15, 1999**

(30) **Foreign Application Priority Data**

Nov. 5, 1999 (IT) PD9900046

(51) **LOC (7) Cl.** **21-03**

(52) **U.S. Cl.** **D21/833**

(58) **Field of Search** D21/811, 814,
D21/828-833; 472/29-47

(56) **References Cited**

U.S. PATENT DOCUMENTS

D. 285,330 * 8/1986 Okamoto D21/833

D. 400,615 * 11/1998 Kitchen D21/814

D. 402,706 * 12/1998 Meister D21/828

* cited by examiner

Primary Examiner—Mitchell Siegel

(74) *Attorney, Agent, or Firm*—Sughrue, Mion, Zinn,
Macpeak & Seas, PLLC

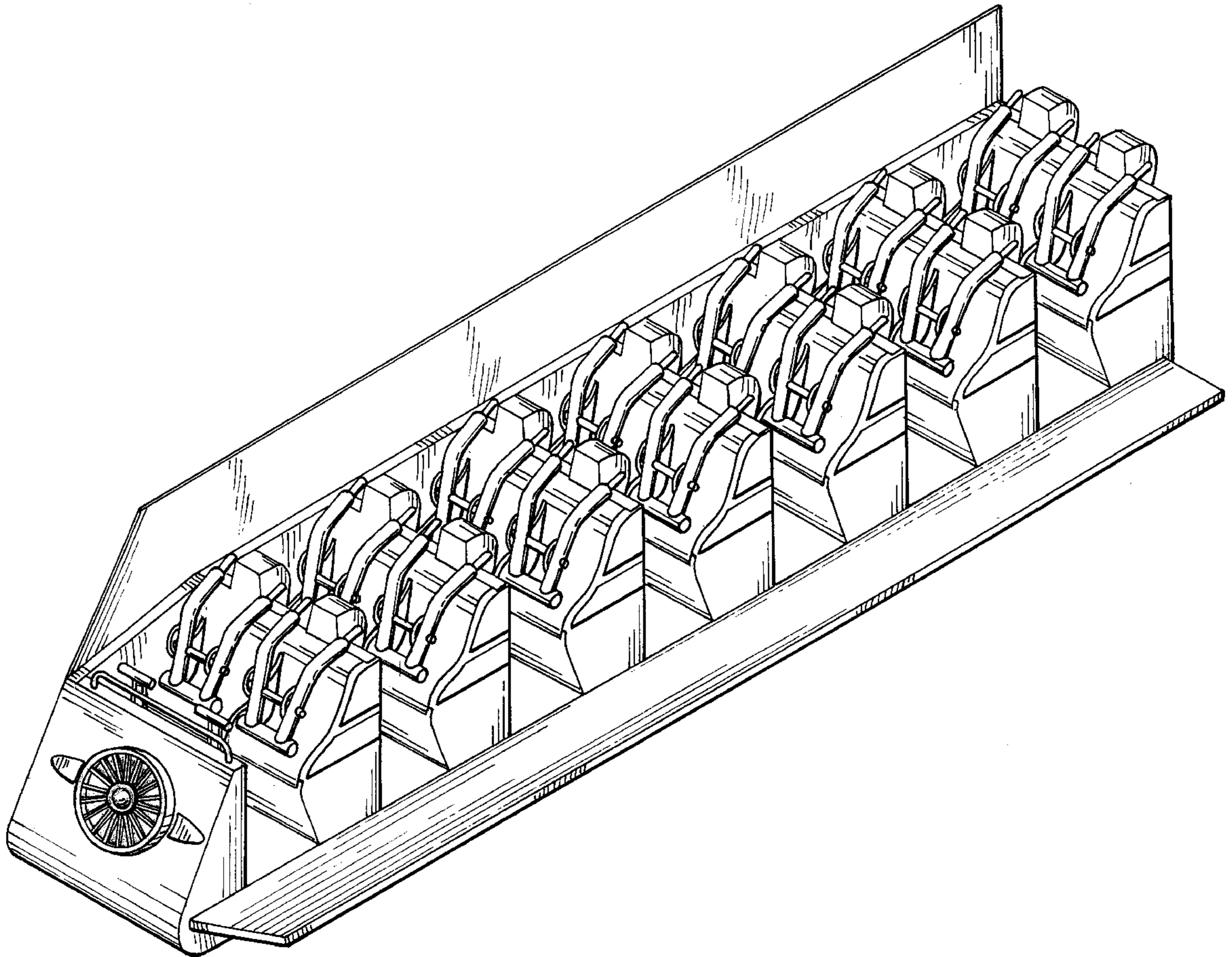
(57) **CLAIM**

The ornamental design for a ride car for amusement parks,
as shown.

DESCRIPTION

FIG. 1 is a perspective view of the top, one side and one end
of a ride car for amusement parts showing my new design;
FIG. 2 is a top plan view thereof;
FIG. 3 is an end elevational view of said one end thereof;
FIG. 4 is a side elevational view of said one side thereof;
FIG. 5 is a side elevational view of the opposite side thereof;
and,
FIG. 6 is a bottom plan view thereof.

1 Claim, 6 Drawing Sheets



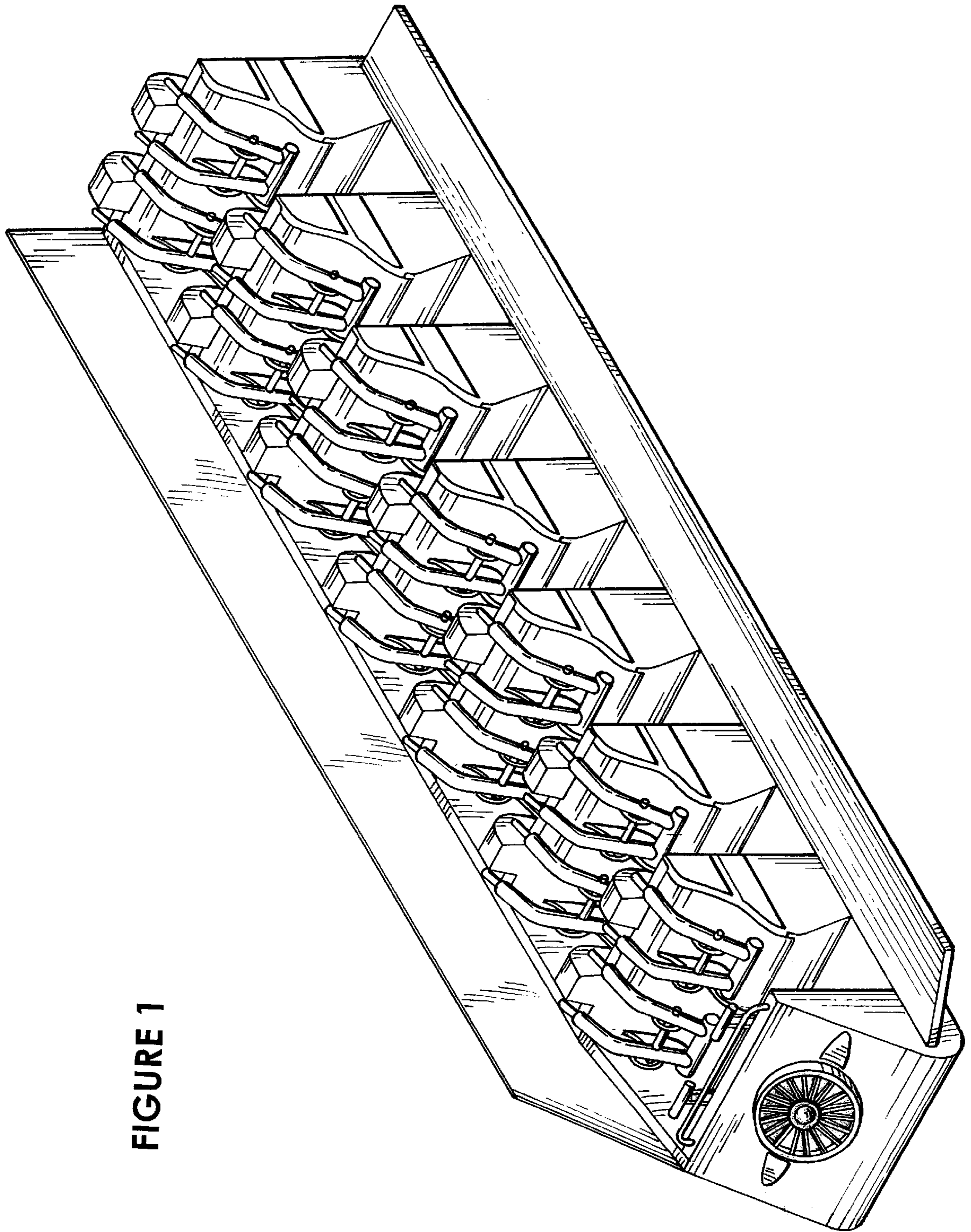
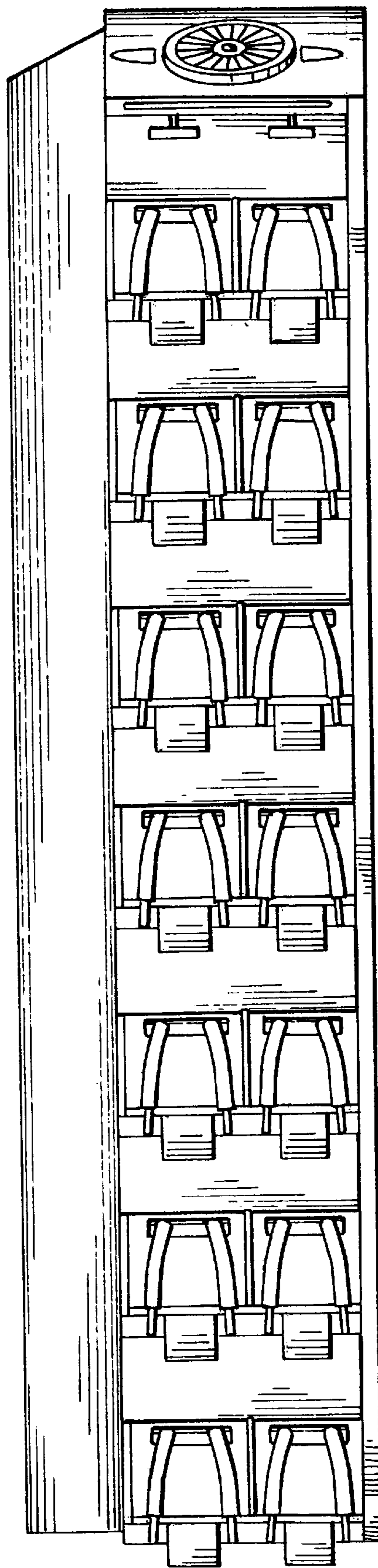


FIGURE 1

FIGURE 2



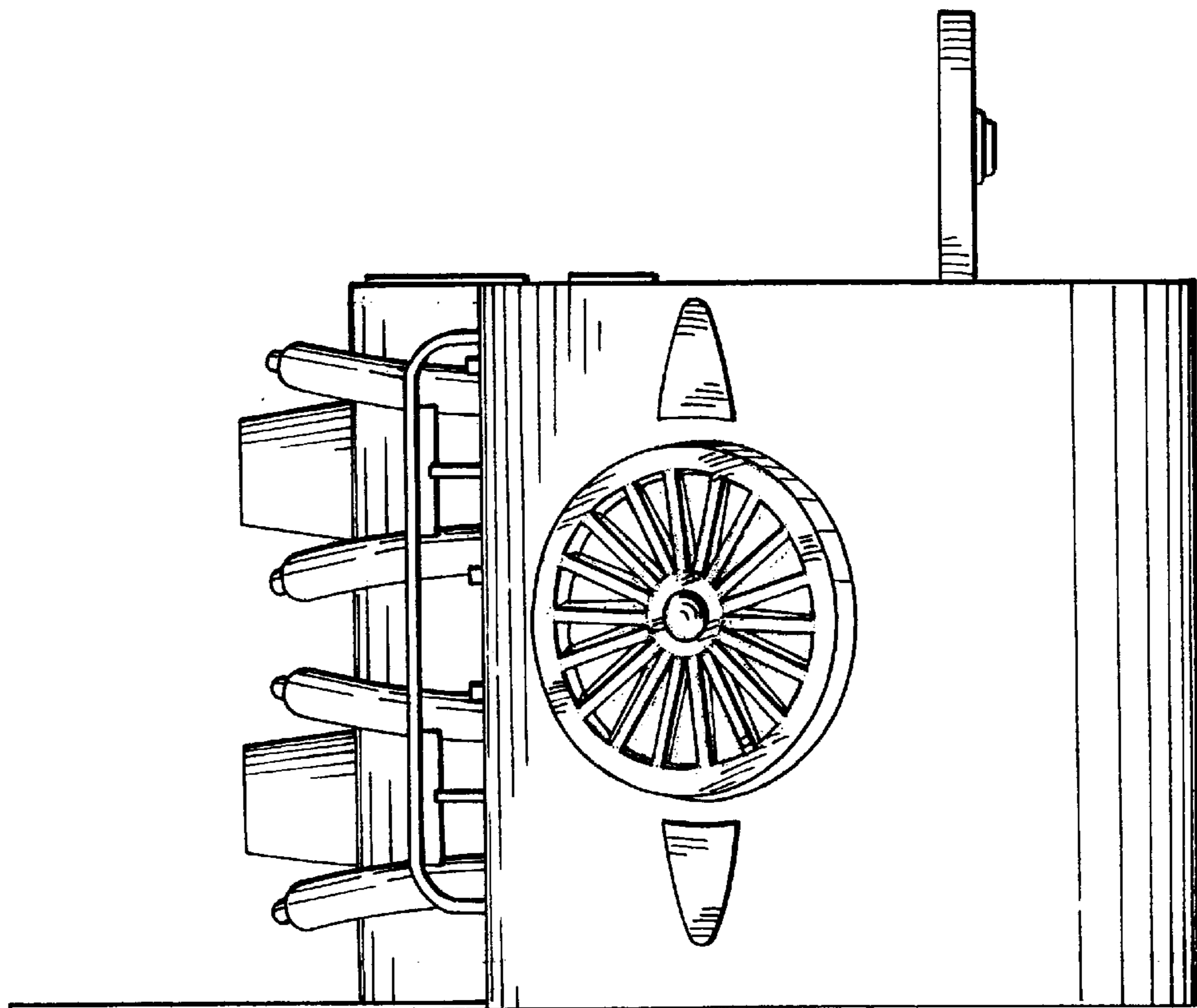
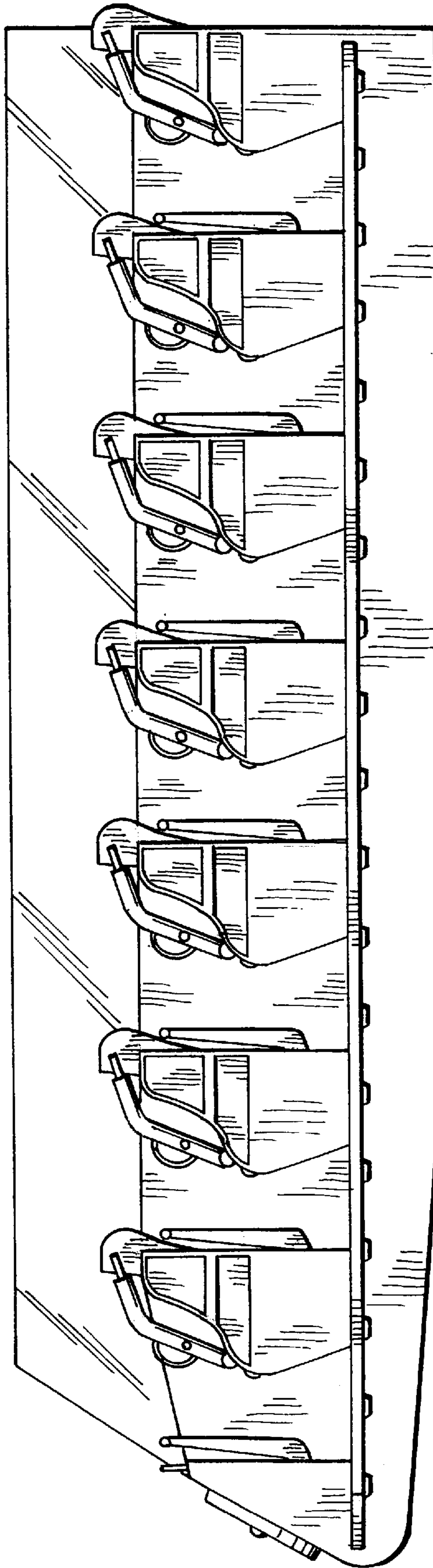


FIGURE 3

FIGURE 4



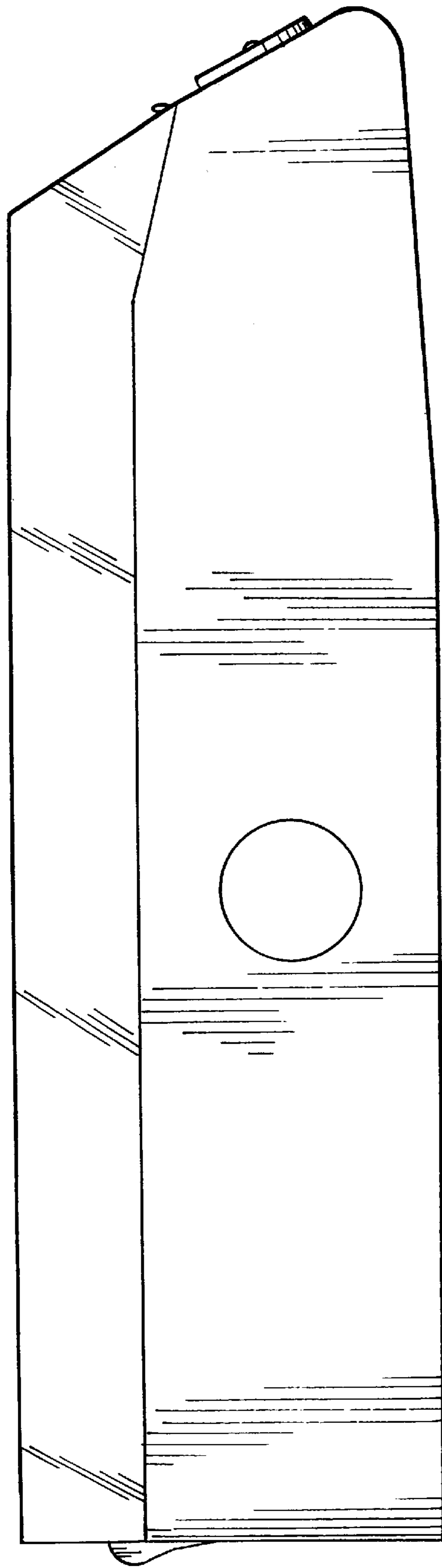


FIGURE 5

FIGURE 6

