



US00D443316S

(12) **United States Design Patent**  
**Huntsberger**

(10) **Patent No.:** **US D443,316 S**

(45) **Date of Patent:** **\*\* Jun. 5, 2001**

(54) **CHILDREN'S RIDE-ON VEHICLE**

(75) Inventor: **Kurt J. Huntsberger**, Chaffee, NY (US)

(73) Assignee: **Mattel, Inc.**, El Segundo, CA (US)

(\*\*) Term: **14 Years**

(21) Appl. No.: **29/131,408**

(22) Filed: **Oct. 20, 2000**

**Related U.S. Application Data**

(62) Division of application No. 29/118,445, filed on Feb. 7, 2000, now Pat. No. Des. 437,005.

(51) **LOC (7) Cl.** ..... **21-01**

(52) **U.S. Cl.** ..... **D21/424**

(58) **Field of Search** ..... D21/419-435,  
D21/533, 537, 548-560; D12/1, 16, 82,  
87; 280/87.01, 87.021, 1.13, 828; 446/465,  
470

(56) **References Cited**

**U.S. PATENT DOCUMENTS**

D. 252,652 8/1979 Nakao et al. .

D. 262,385 12/1981 Nakao et al. .  
D. 306,748 3/1990 Takahashi et al. .  
D. 379,407 5/1997 Liu .  
D. 423,603 4/2000 Tasy .  
D. 423,604 4/2000 Yeh .  
4,741,544 5/1988 Kassai .

**OTHER PUBLICATIONS**

The Disney Catalog, p. 30, 1989.

*Primary Examiner*—Raphael Barkai

(74) *Attorney, Agent, or Firm*—Kolisch, Hartwell, Dickinson, McCormack & Heuser, P.C.

(57) **CLAIM**

The ornamental design for a children's ride-on vehicle, as shown and described.

**DESCRIPTION**

FIG. 1 is a front perspective view of a children's ride-on vehicle showing my new design.

FIG. 2 a rear perspective view of the vehicle of FIG. 1.

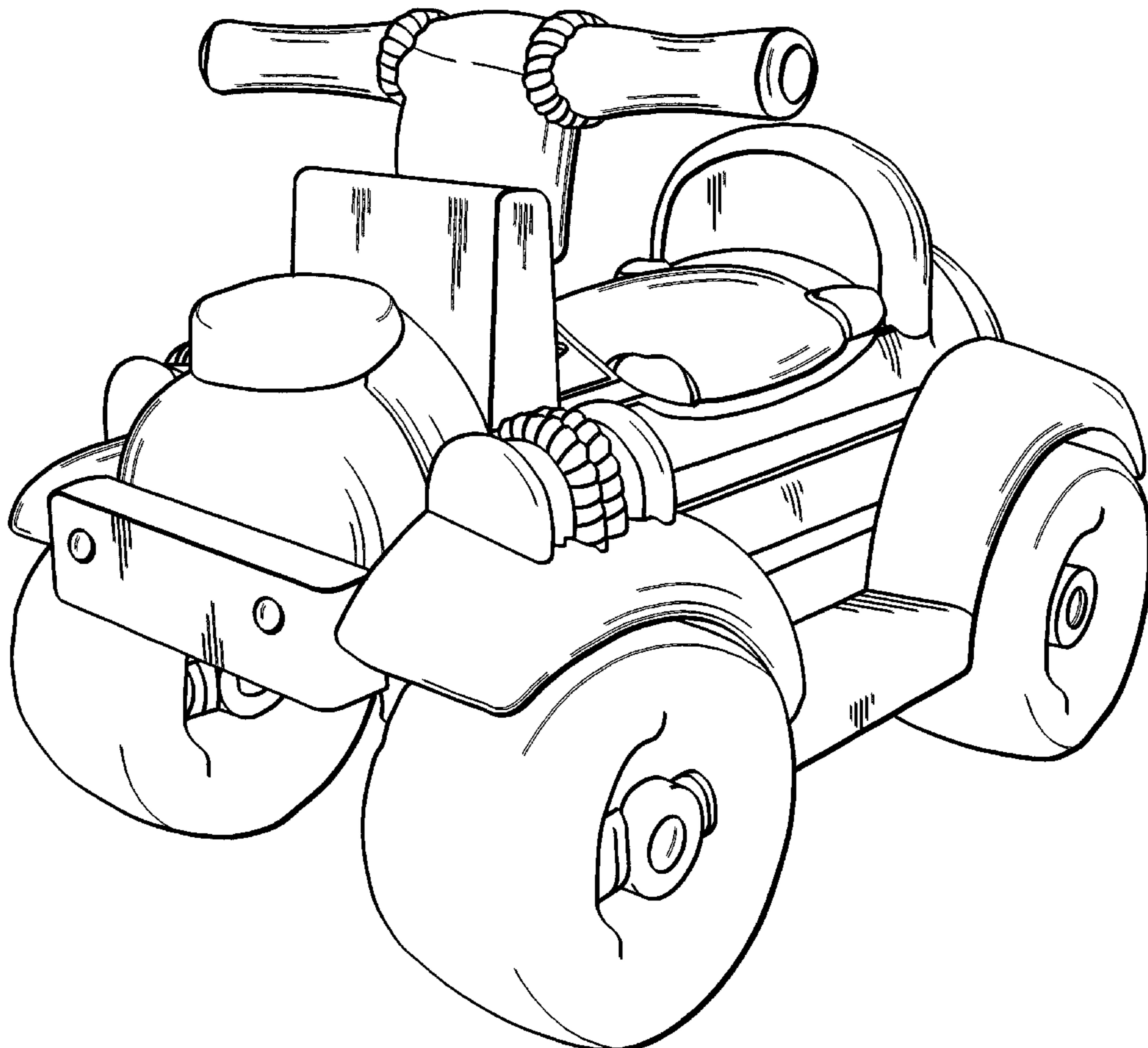
FIG. 3 is a left side elevation view of the vehicle of FIG. 1.

FIG. 4 is a top plan view of the vehicle of FIG. 1;

FIG. 5 is a front elevation view of the vehicle of FIG. 1; and,

FIG. 6 is a rear elevation view of the vehicle of FIG. 1.

**1 Claim, 4 Drawing Sheets**



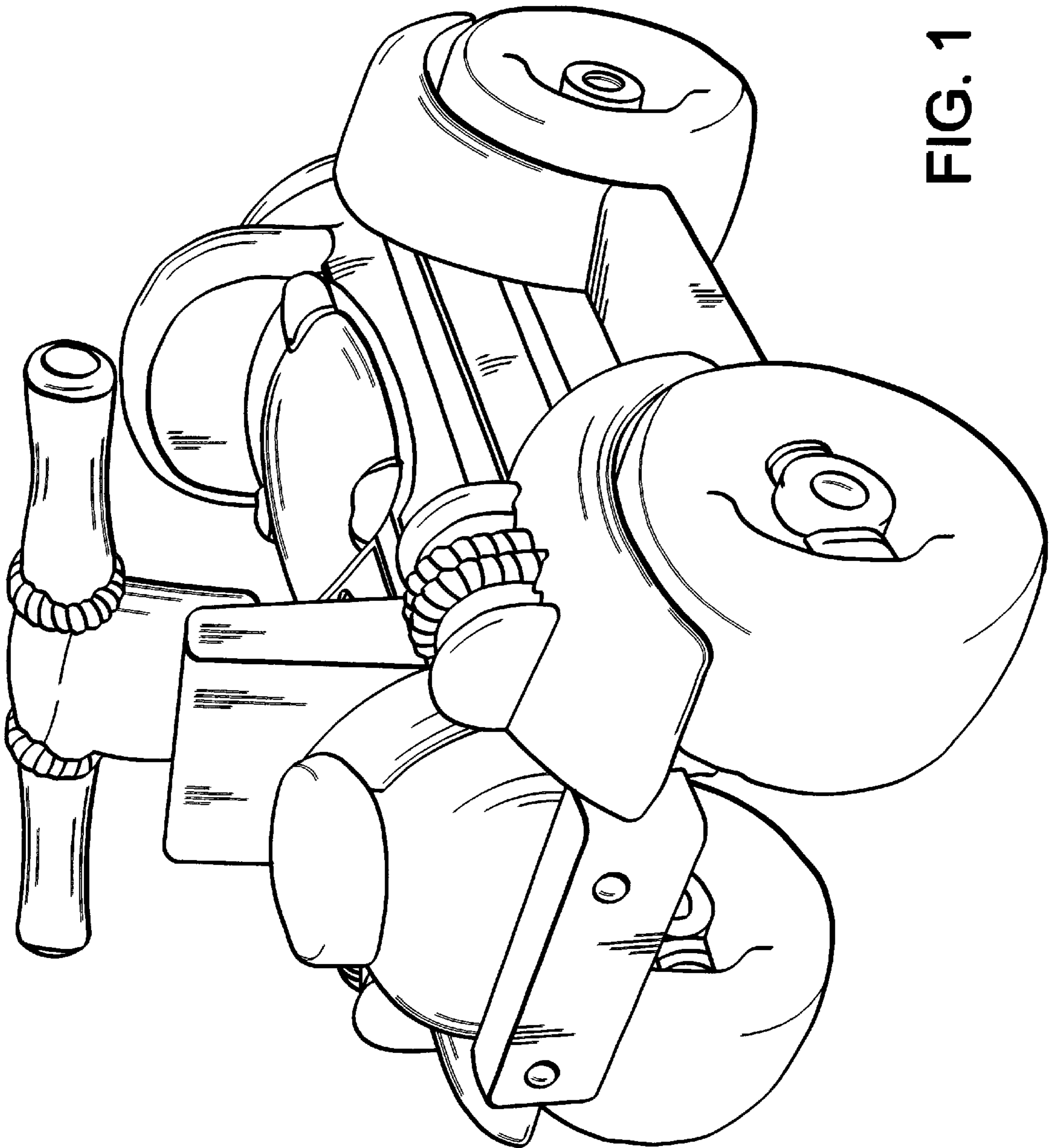


FIG. 1

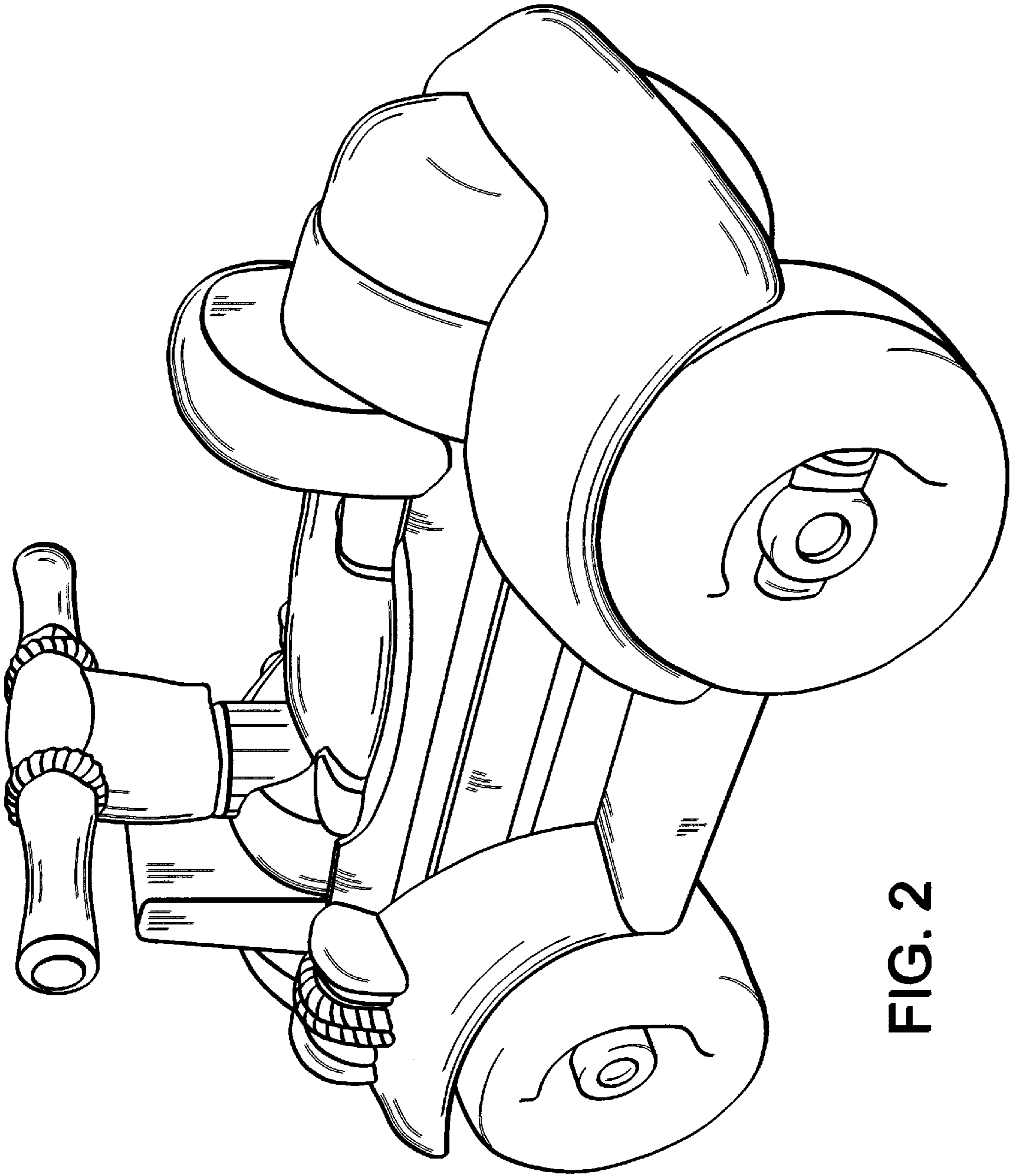


FIG. 2

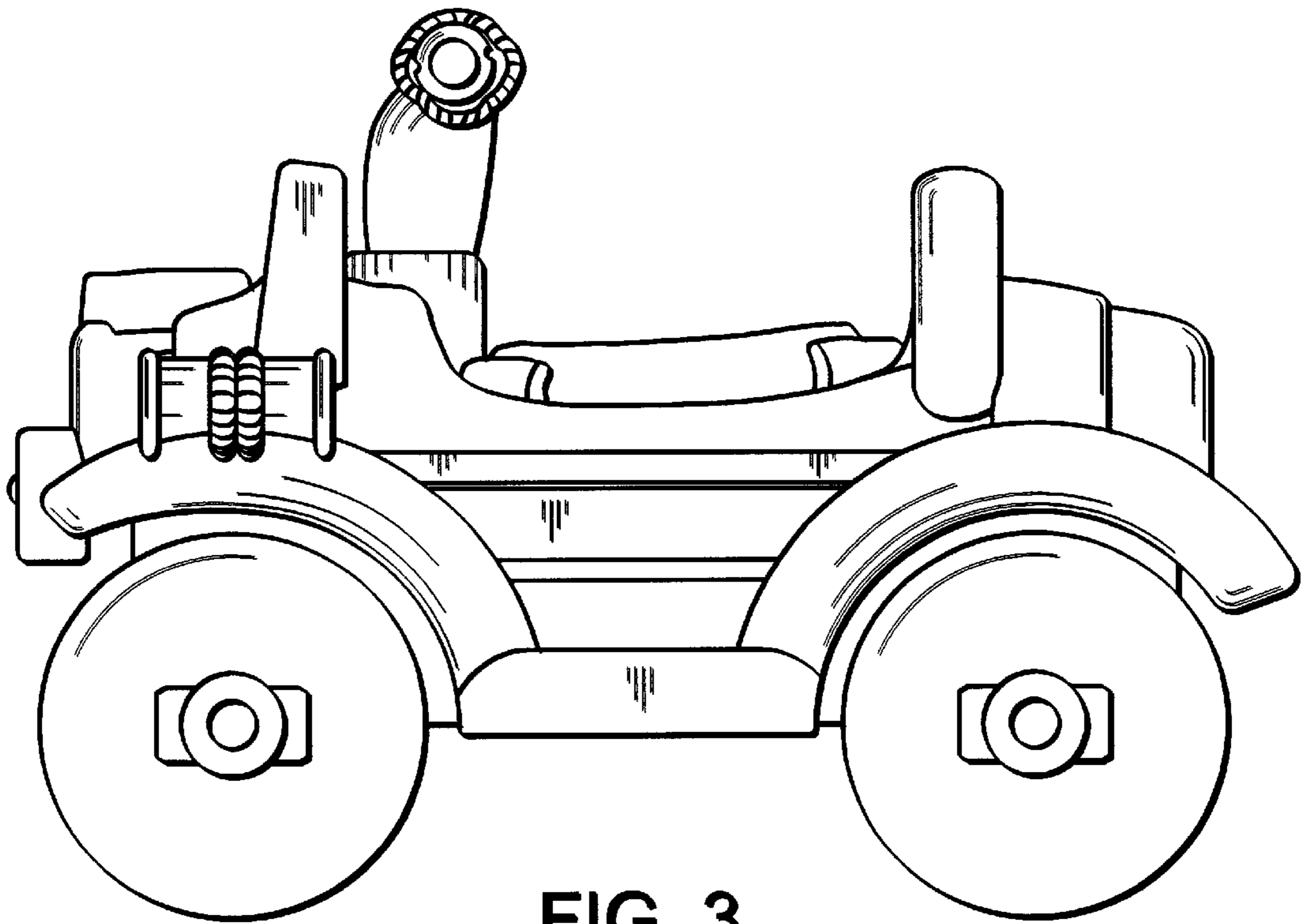


FIG. 3

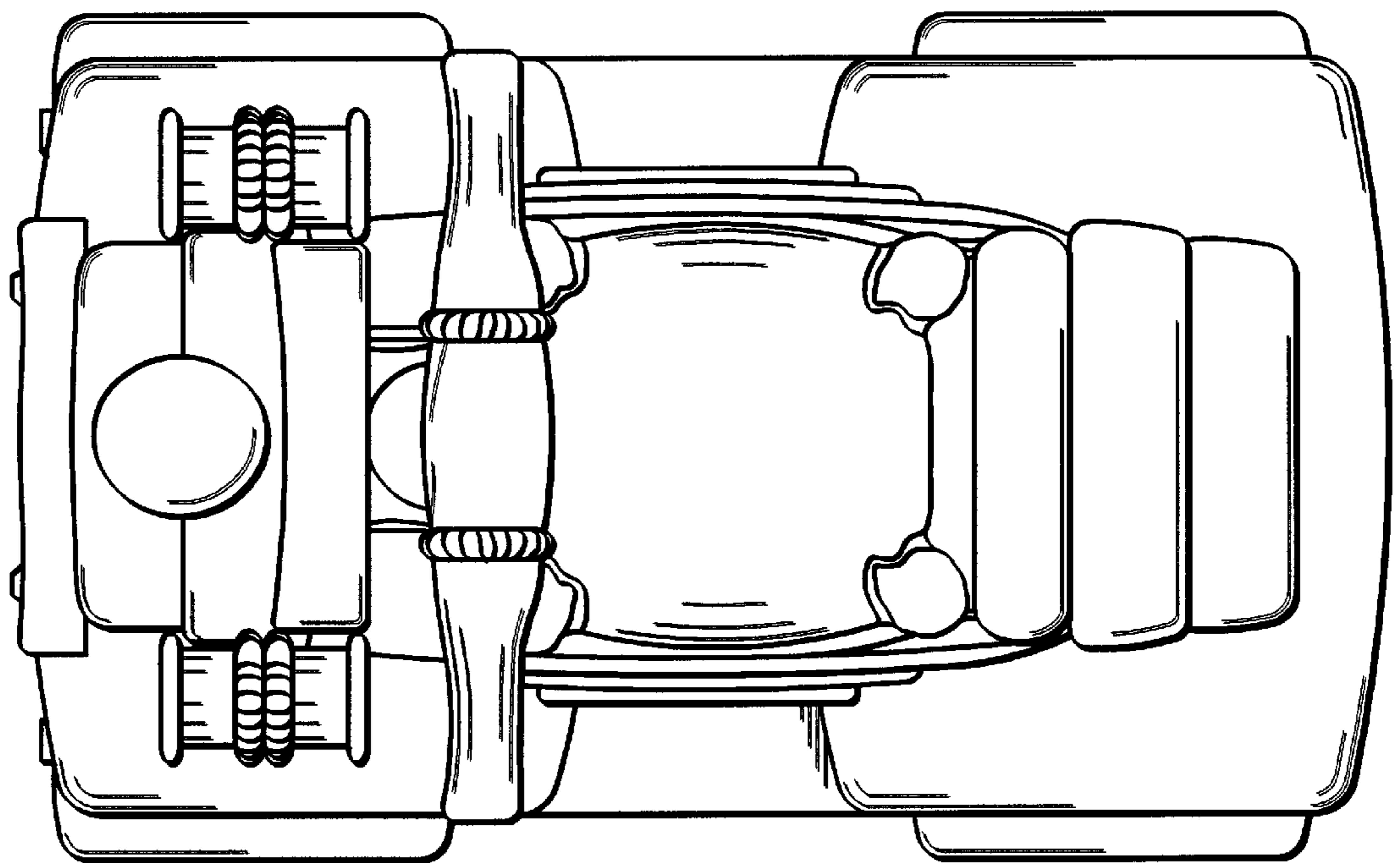


FIG. 4

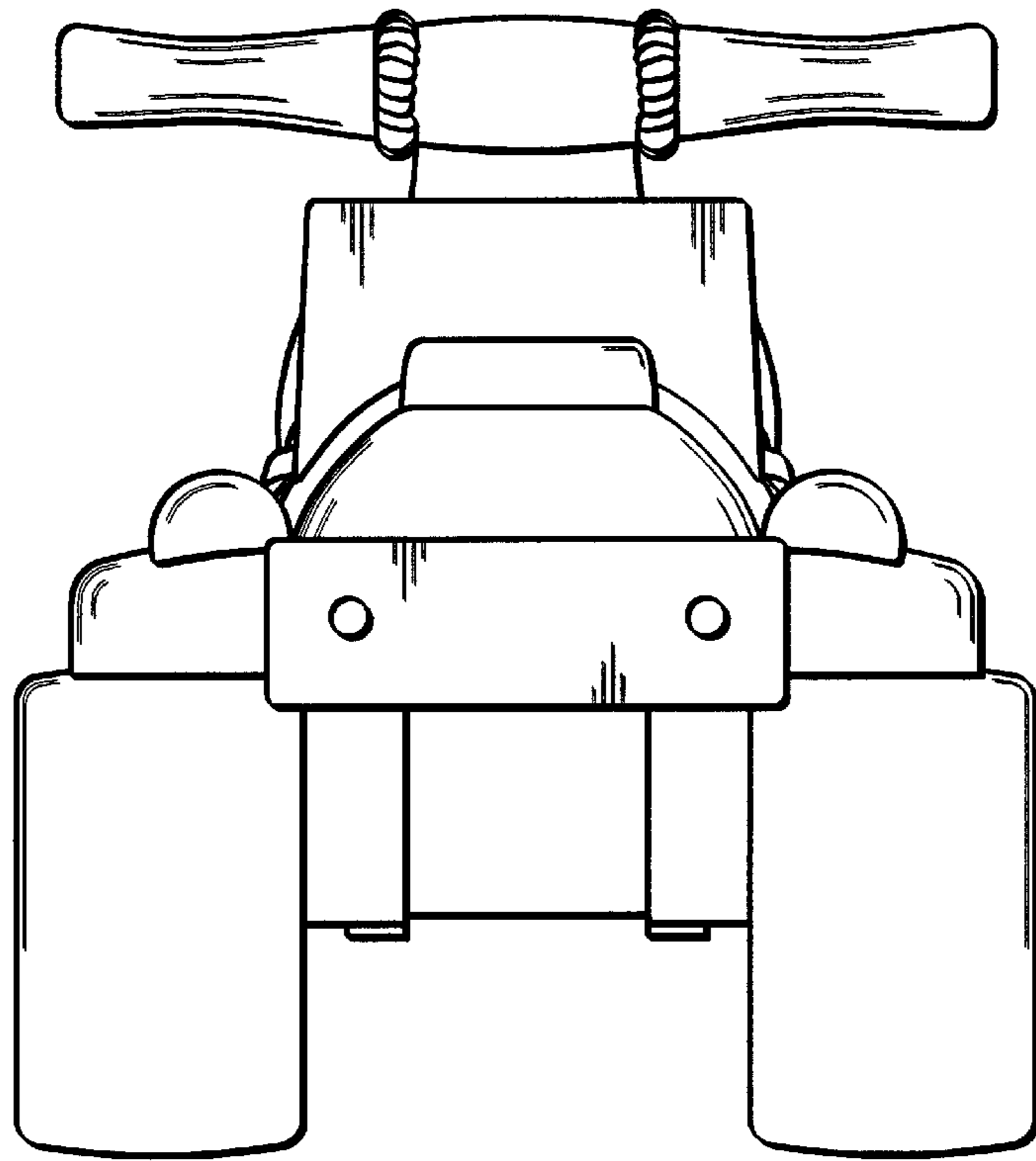


FIG. 5

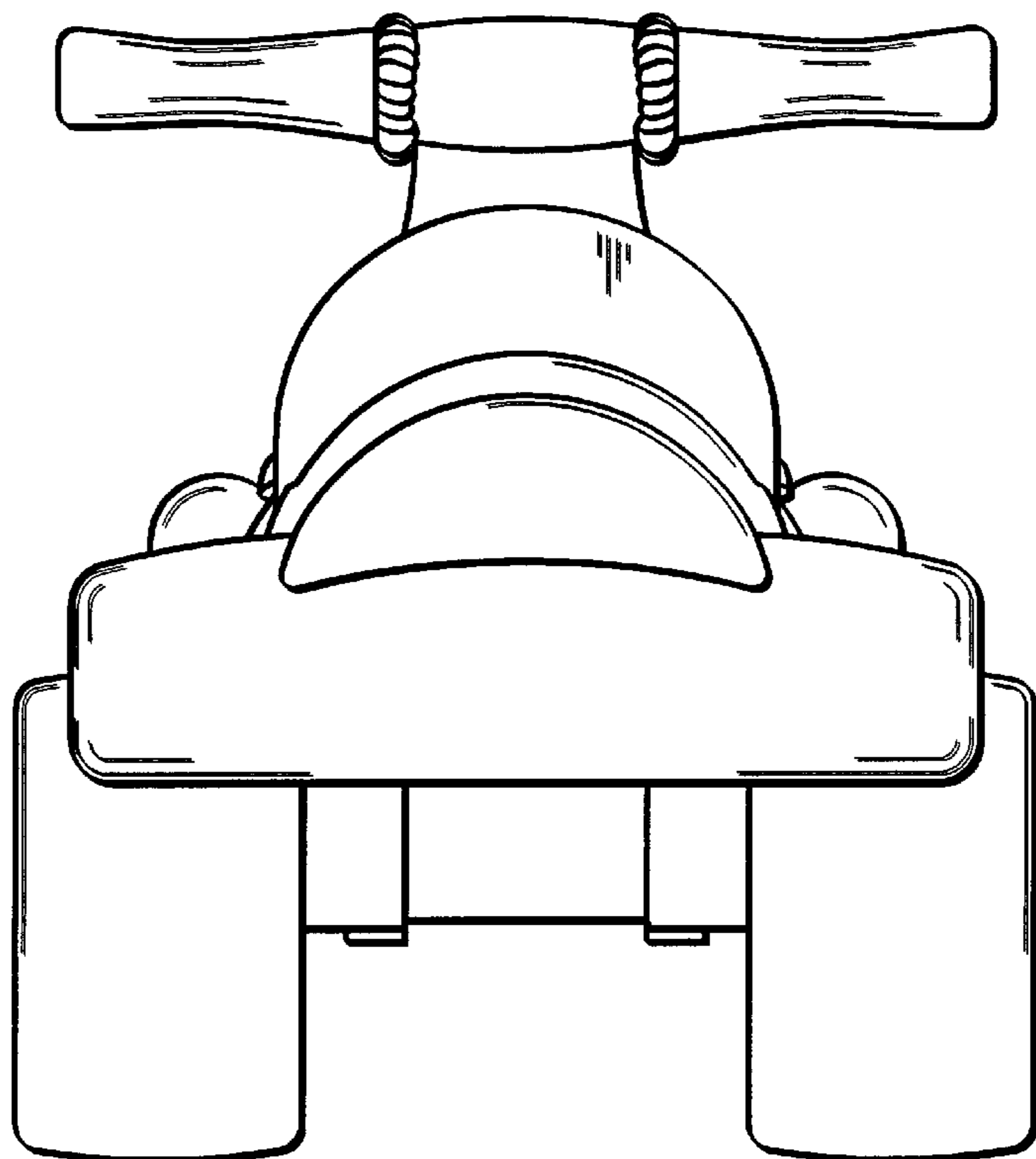


FIG. 6