



US00D443311S

(12) **United States Design Patent**
Wildrick

(10) **Patent No.:** **US D443,311 S**

(45) **Date of Patent:** **** Jun. 5, 2001**

(54) **CLIP-ON LABEL HOLDER**

(75) **Inventor:** **Richard J. Wildrick**, Hunlock Creek,
PA (US)

(73) **Assignee:** **Trion Industries, Inc.**, Wilkes-Barre,
PA (US)

(**) **Term:** **14 Years**

(21) **Appl. No.:** **29/132,204**

(22) **Filed:** **Nov. 3, 2000**

(51) **LOC (7) Cl.** **19-08**

(52) **U.S. Cl.** **D20/43**

(58) **Field of Search** D20/10, 39, 40,
D20/42, 43, 44; 40/1, 1.6, 1.5, 642, 643,
644, 649, 650, 658, 661, 662

(56) **References Cited**

U.S. PATENT DOCUMENTS

D. 347,449 * 5/1994 Garfinkle D20/43

D. 377,505 * 1/1997 Thompson D20/43

D. 398,029 * 9/1998 Falls et al. D20/44

5,899,011 5/1999 Brinkman .

6,105,295 8/2000 Brinkman et al. .

* cited by examiner

Primary Examiner—Marcus A. Jackson

(74) *Attorney, Agent, or Firm*—Schweitzer Cornman Gross
& Bondell LLP

(57) **CLAIM**

The ornamental design for a clip-on label holder, as shown
and described.

DESCRIPTION

FIG. 1 is a side elevational view of the clip-on label holder
of the invention.

FIG. 2 is a perspective view thereof, from the bottom.

FIG. 3 is a perspective view thereof, from the front; and,

FIG. 4 is a perspective view thereof, from the rear.

1 Claim, 4 Drawing Sheets

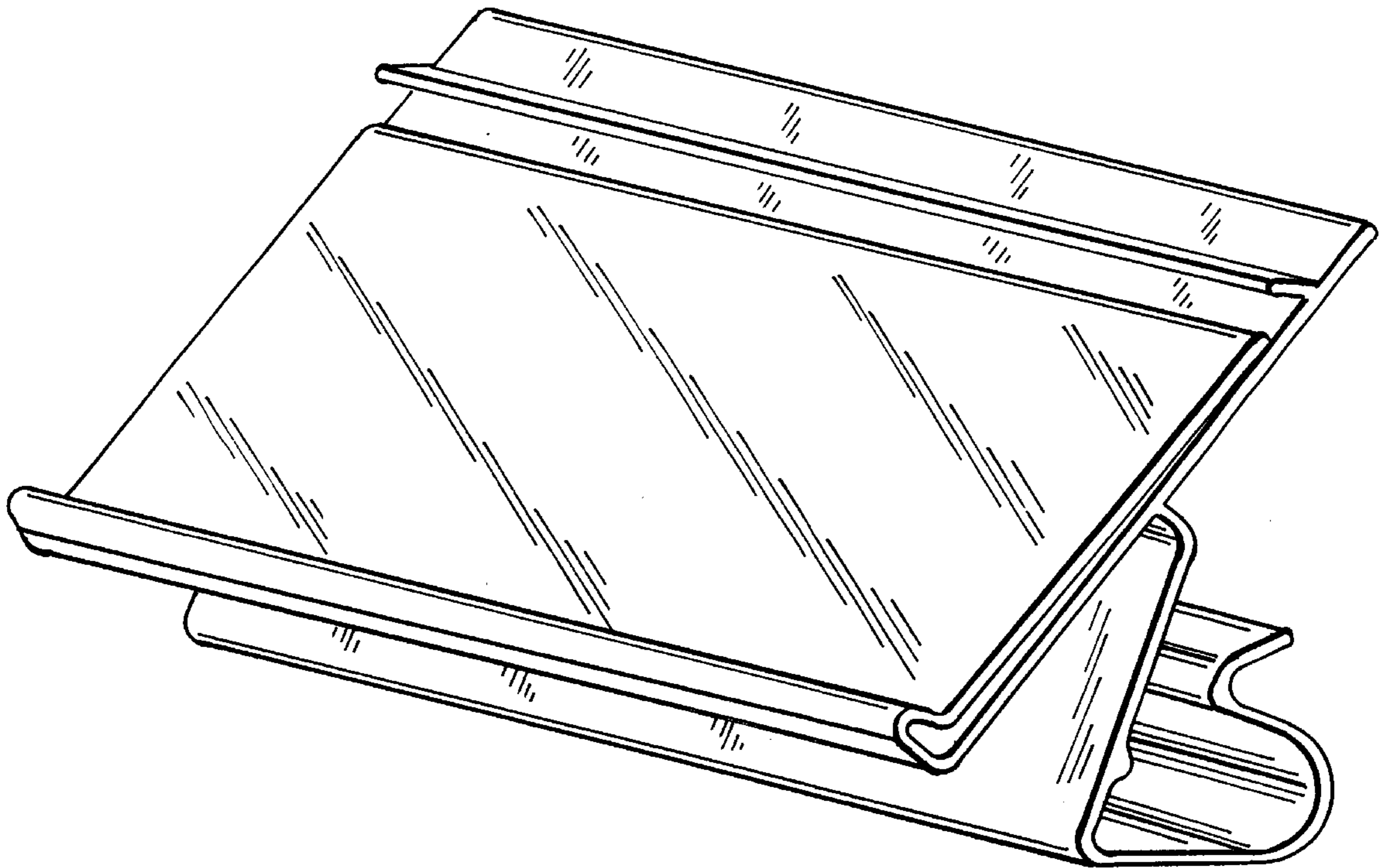
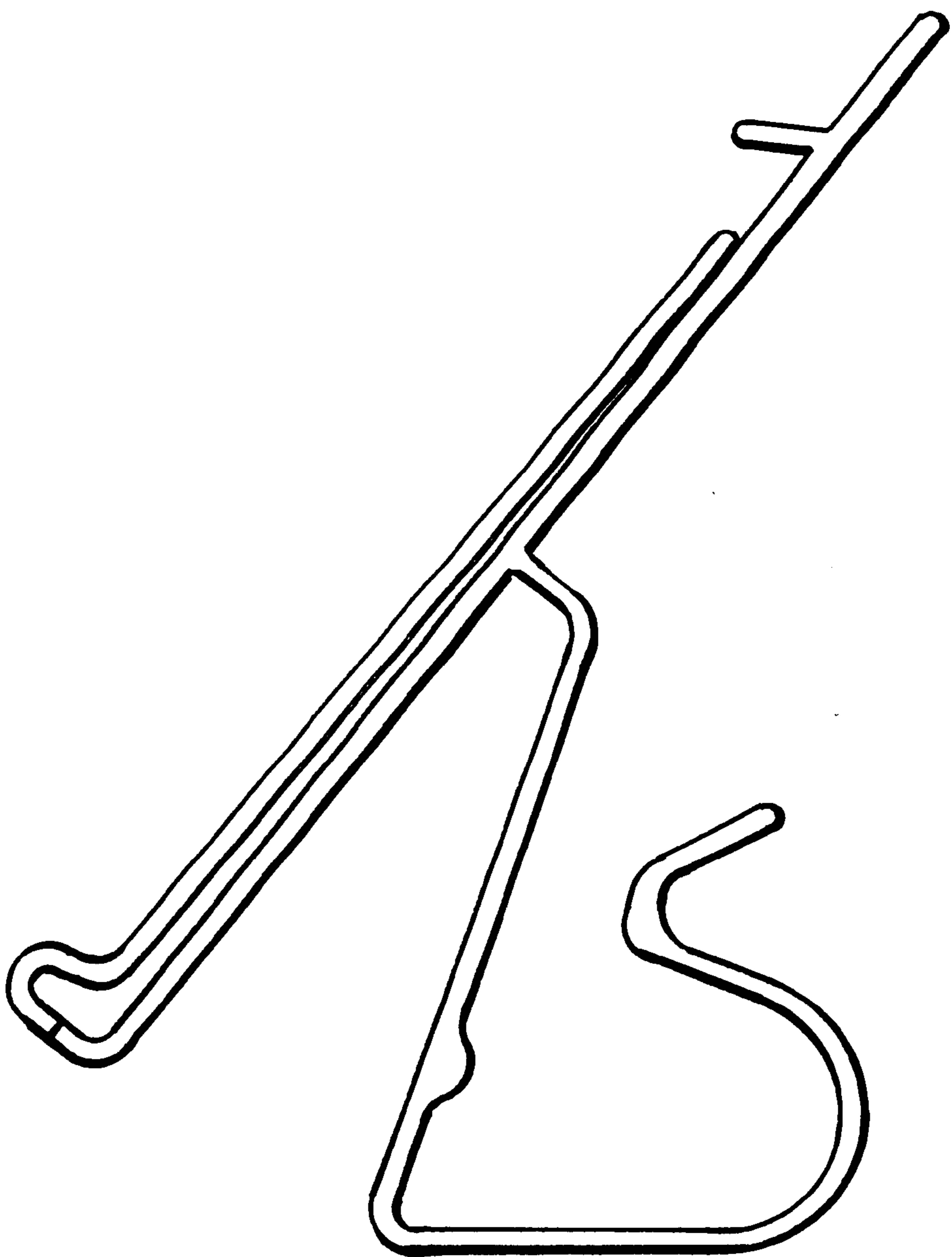


FIG. 1



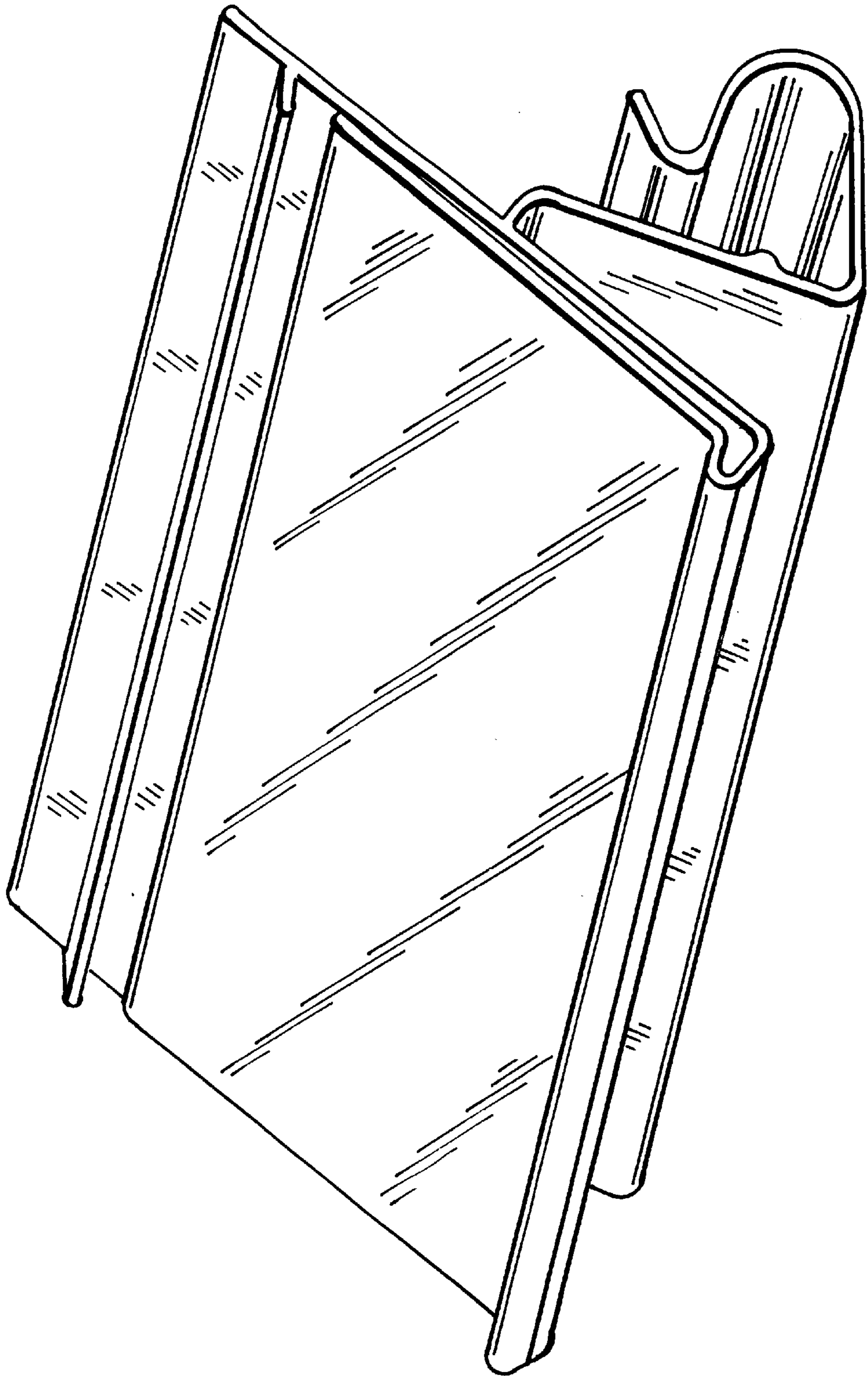


FIG. 2

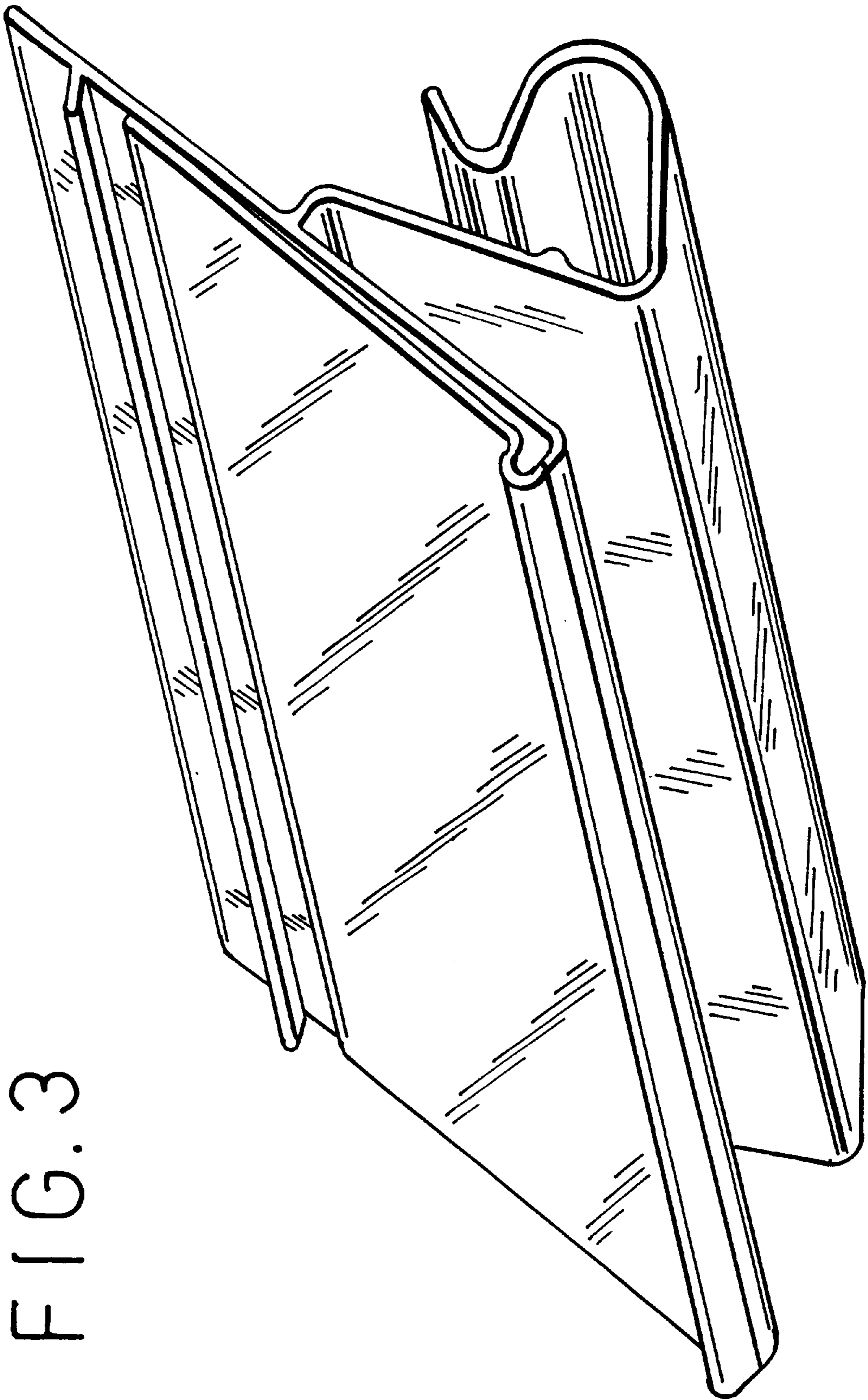


FIG. 3

FIG. 4

