



US00D443307S

(12) **United States Design Patent**
Nucci et al.

(10) **Patent No.:** **US D443,307 S**

(45) **Date of Patent:** **** Jun. 5, 2001**

(54) **MODEL FOR LIGHTED PANEL DEVICES**

D. 390,881 * 2/1998 Kiggins D20/42
D. 415,205 * 10/1999 Canton-Gongora et al. D20/10

(75) Inventors: **Giuseppe Nucci; Enrico Testa**, both of Rome (IT)

* cited by examiner

(73) Assignee: **So.I.e. Societa Luce Elettrica S.p.A. Gruppo Enel**, Perugia (IT)

Primary Examiner—Marcus A. Jackson
(74) *Attorney, Agent, or Firm*—Browdy and Neimark

(**) Term: **14 Years**

(57) **CLAIM**

(21) Appl. No.: **29/113,508**

The ornamental design for a model for lighted panel devices, as shown and described.

(22) Filed: **Nov. 4, 1999**

(30) **Foreign Application Priority Data**

May 4, 1999 (IT) RM99O0095

(51) **LOC (7) Cl.** **19-08**

(52) **U.S. Cl.** **D20/10**

(58) **Field of Search** D20/10, 41, 42;
40/540, 541, 584, 606, 608, 612, 624; 362/811,
812

DESCRIPTION

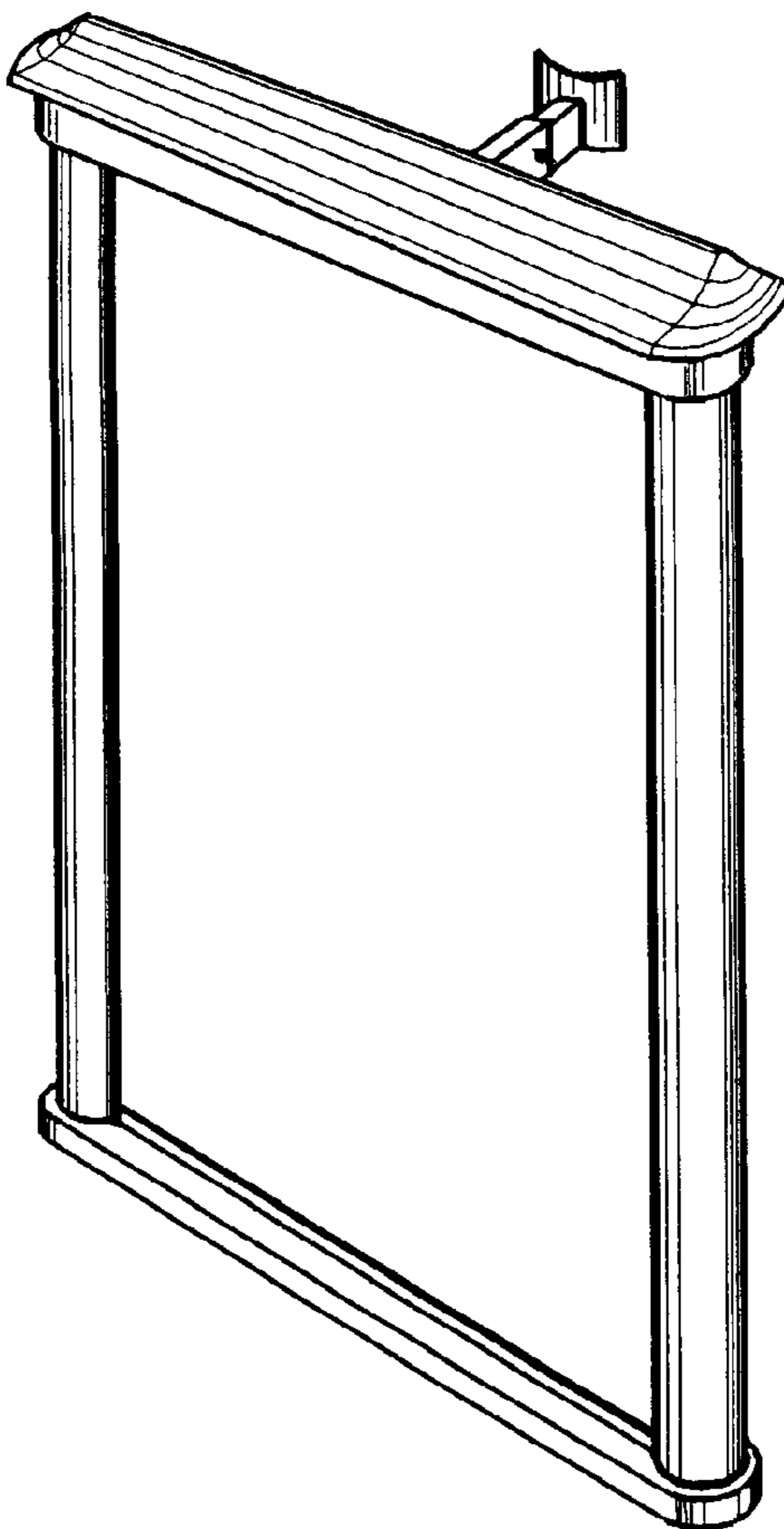
FIG. 1 is a perspective view of a model of lighted panel devices in accordance with the present design;
FIG. 2 is a top plan view thereof;
FIG. 3 is a lateral right view thereof;
FIG. 4 is a lateral left view thereof;
FIG. 5 is a front elevation view thereof;
FIG. 6 is a bottom plan view thereof; and,
FIG. 7 is a rear elevation thereof.

(56) **References Cited**

U.S. PATENT DOCUMENTS

D. 344,294 * 2/1994 Foust D20/42

1 Claim, 1 Drawing Sheet



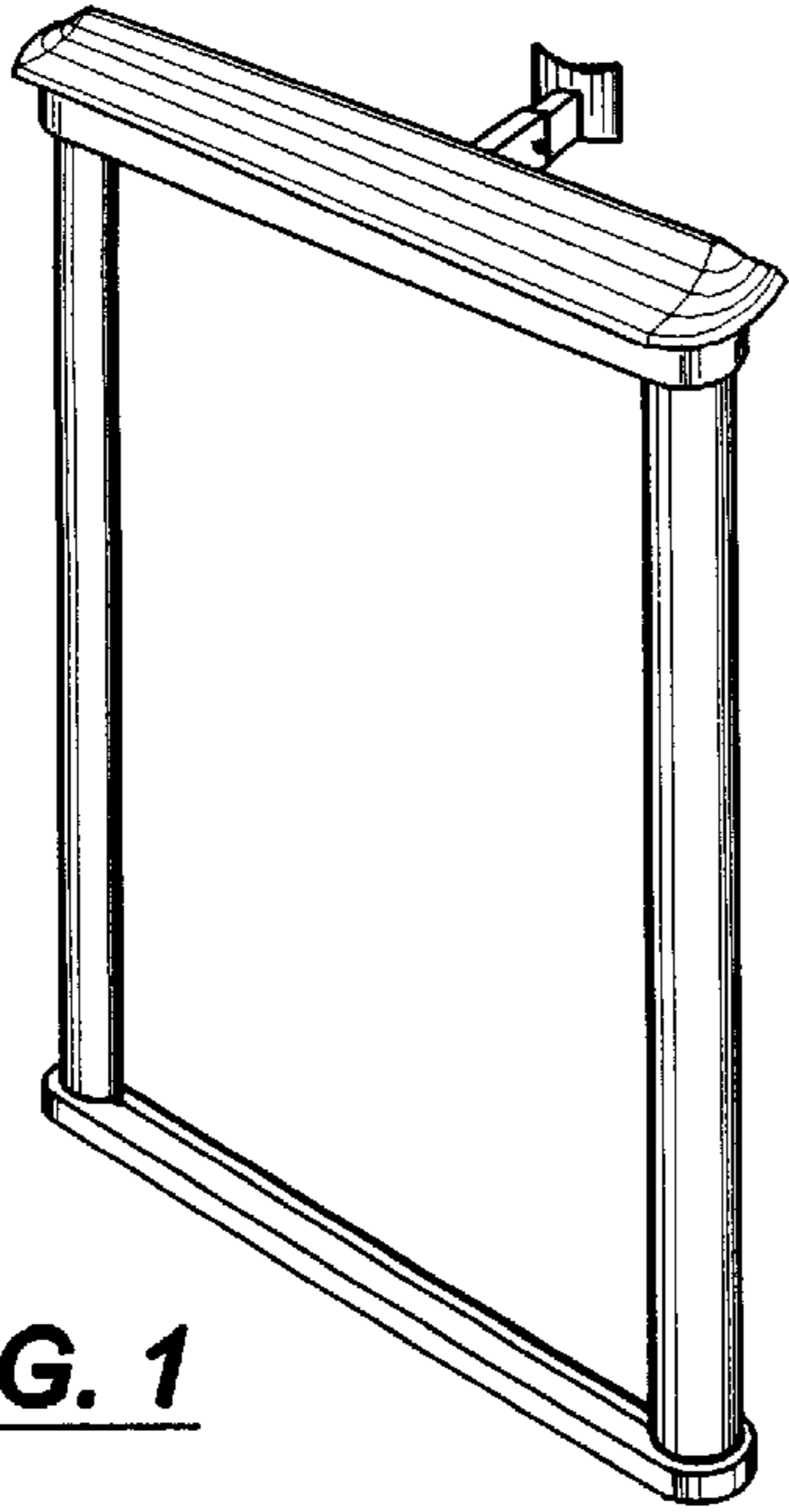


FIG. 1

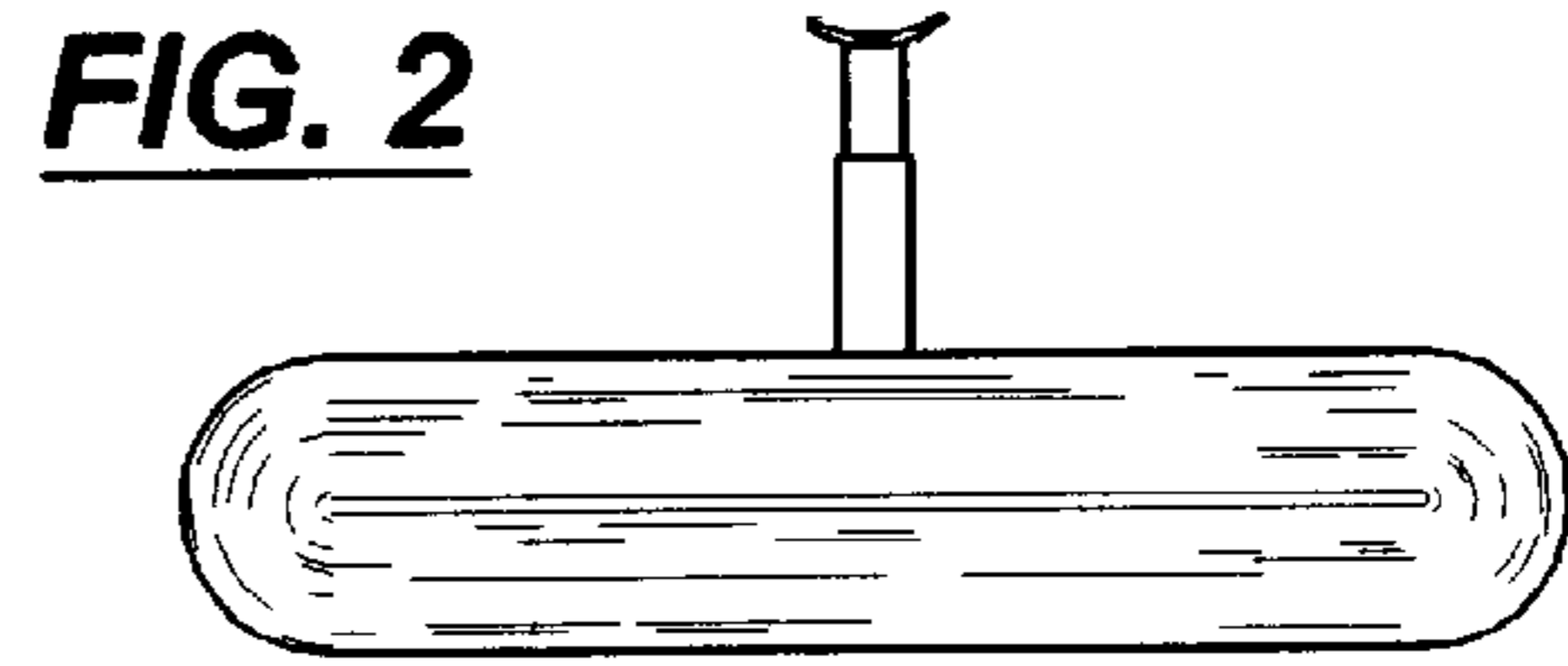


FIG. 2

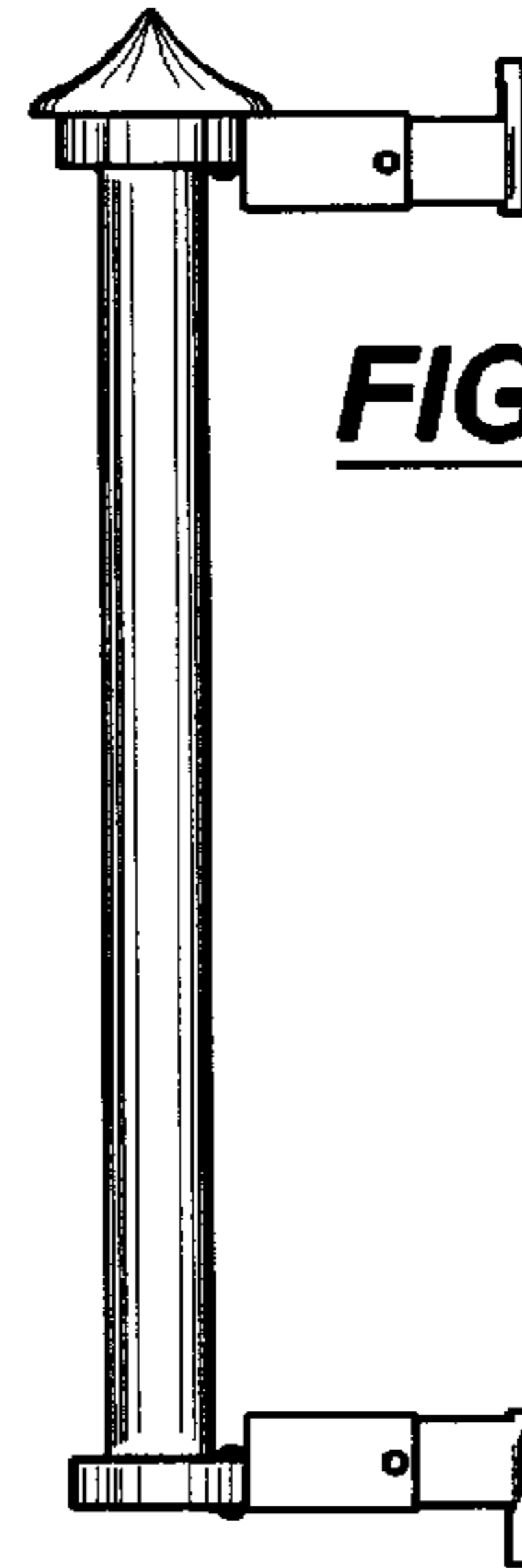


FIG. 3

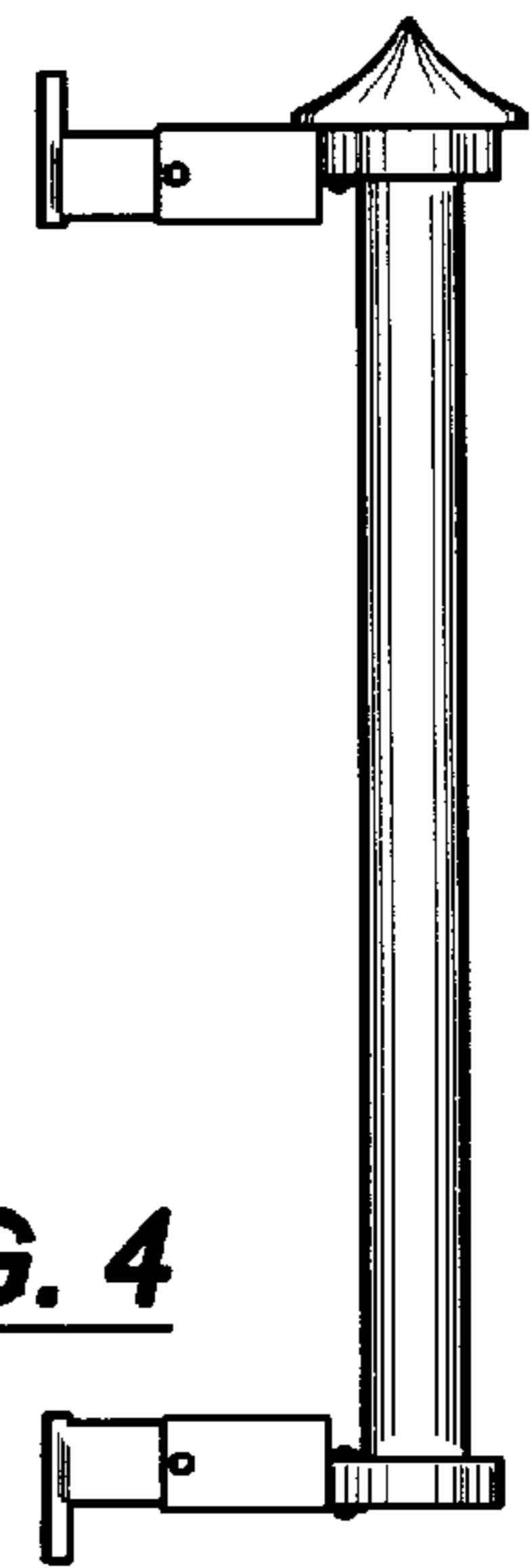


FIG. 4

FIG. 5

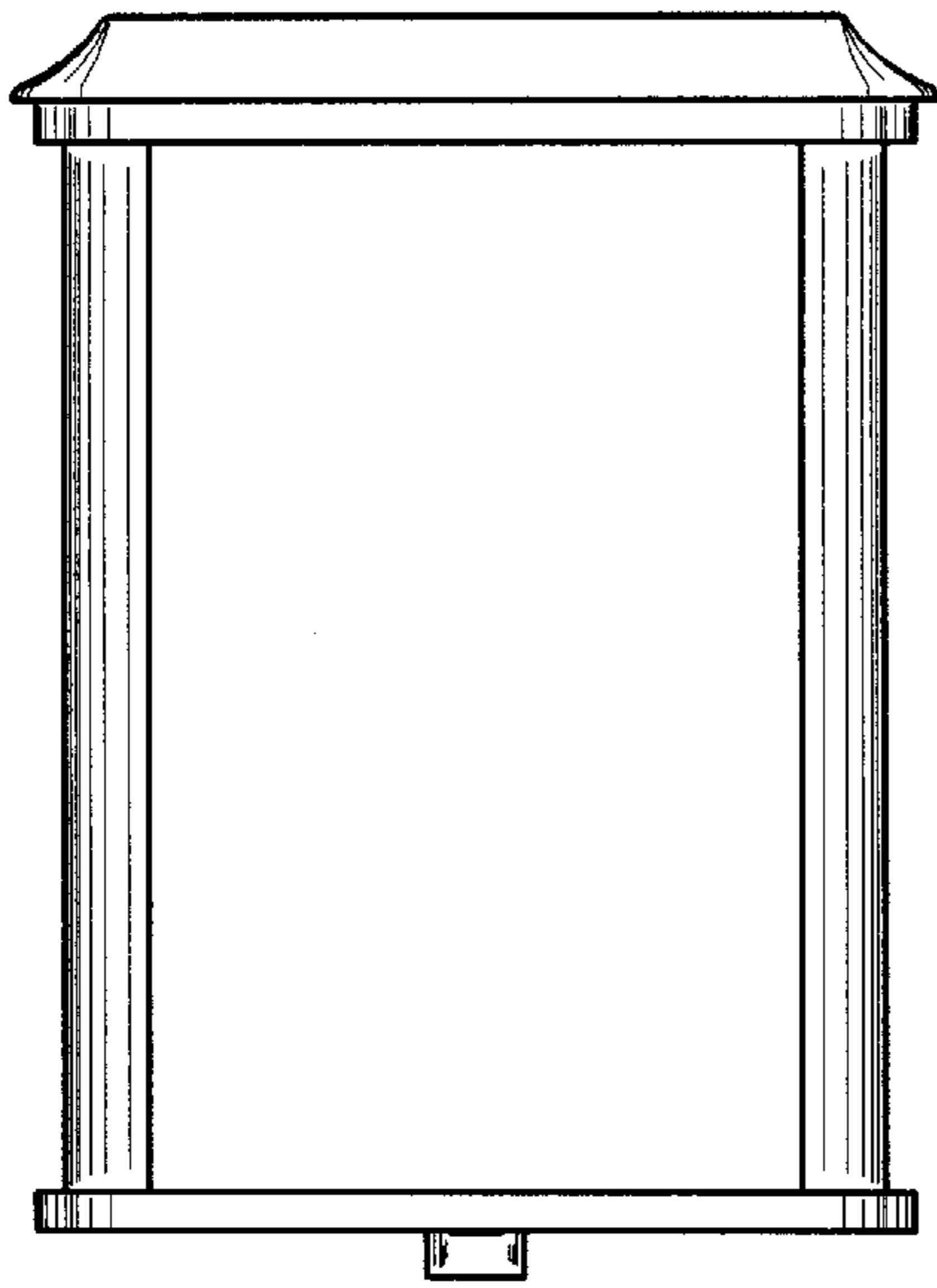


FIG. 6

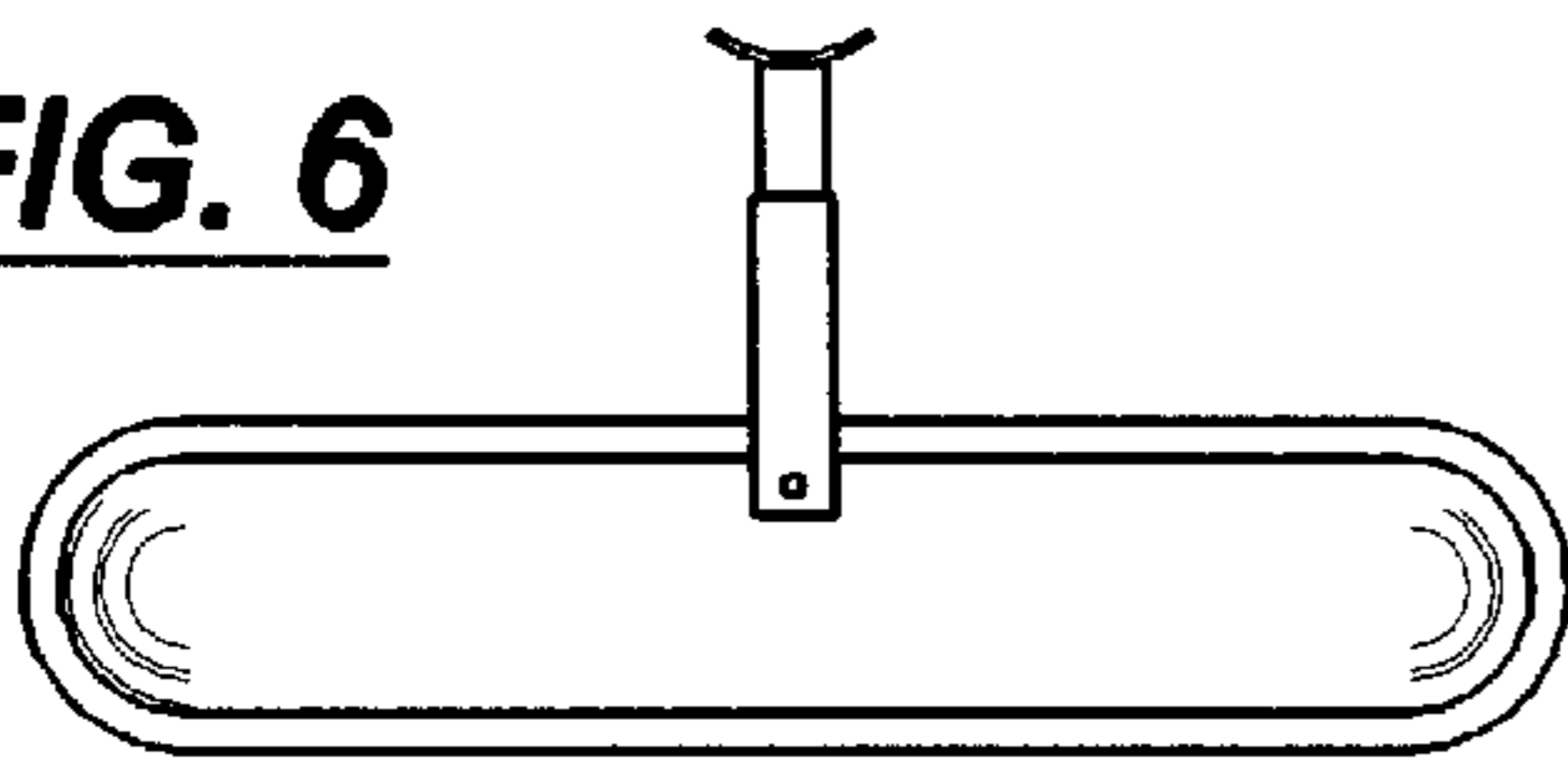


FIG. 7

