



US00D443306S

(12) **United States Design Patent**  
**Brent, III**

(10) **Patent No.:** **US D443,306 S**

(45) **Date of Patent:** **\*\* Jun. 5, 2001**

(54) **MAGAZINE RACK**

(76) **Inventor:** **James W. Brent, III**, 8860 Dent  
Cockrell Rd., Bastrop, LA (US) 71220

(\*\*) **Term:** **14 Years**

(21) **Appl. No.:** **29/110,972**

(22) **Filed:** **Sep. 20, 1999**

(51) **LOC (7) Cl.** ..... **20-01**

(52) **U.S. Cl.** ..... **D20/6**

(58) **Field of Search** ..... D6/449, 450, 473-479,  
D6/571; D20/1-7; 194/291, 350; 211/154,  
155, 191, 194, 195, 213, 215

(56) **References Cited**

**U.S. PATENT DOCUMENTS**

D. 75,739	7/1928	Little .	
D. 82,555	* 11/1930	Grant .....	D20/4
D. 164,577	9/1951	Henderson .	
D. 232,888	9/1974	McCommon .	
D. 238,641	2/1976	Edelson .	
D. 252,363	7/1979	Kern et al. .	
D. 266,773	* 11/1982	Poirier .....	D20/1
D. 297,691	9/1988	Hughes .	
D. 317,468	* 6/1991	Olson et al. ....	D20/6
D. 329,467	9/1992	Peterson .	
D. 361,684	8/1995	Russell .	

4,708,409	*	11/1987	Voegeli .....	D20/6	X
4,718,532	*	1/1988	Chalabian .....	D20/6	X
4,919,250	*	4/1990	Olson et al. ....	D20/6	X
5,054,862		10/1991	Vanaman .		

**FOREIGN PATENT DOCUMENTS**

2176694 1/1987 (GB) .

\* cited by examiner

*Primary Examiner*—Nanda Bondade

(74) *Attorney, Agent, or Firm*—Richard C. Litman

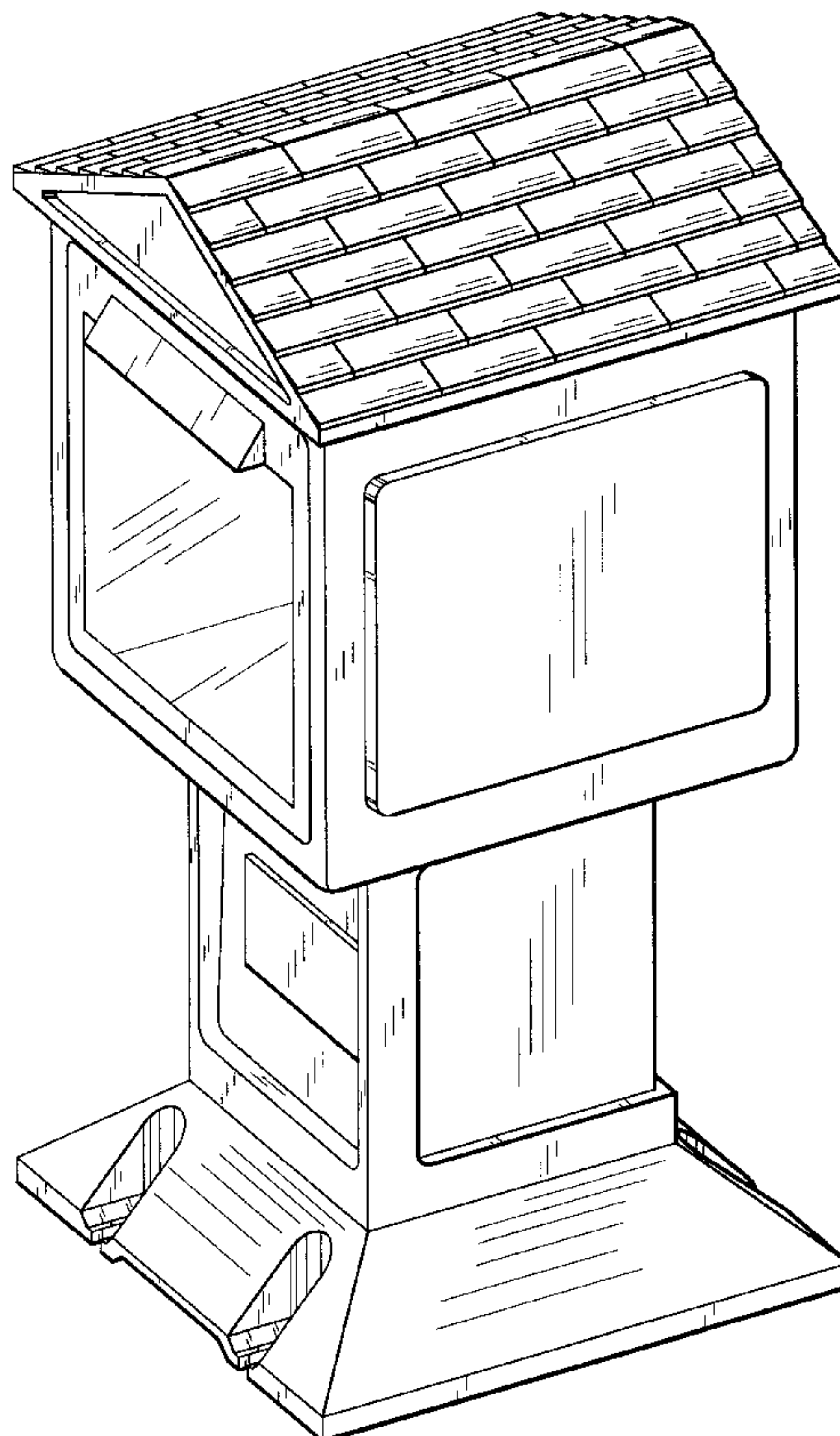
(57) **CLAIM**

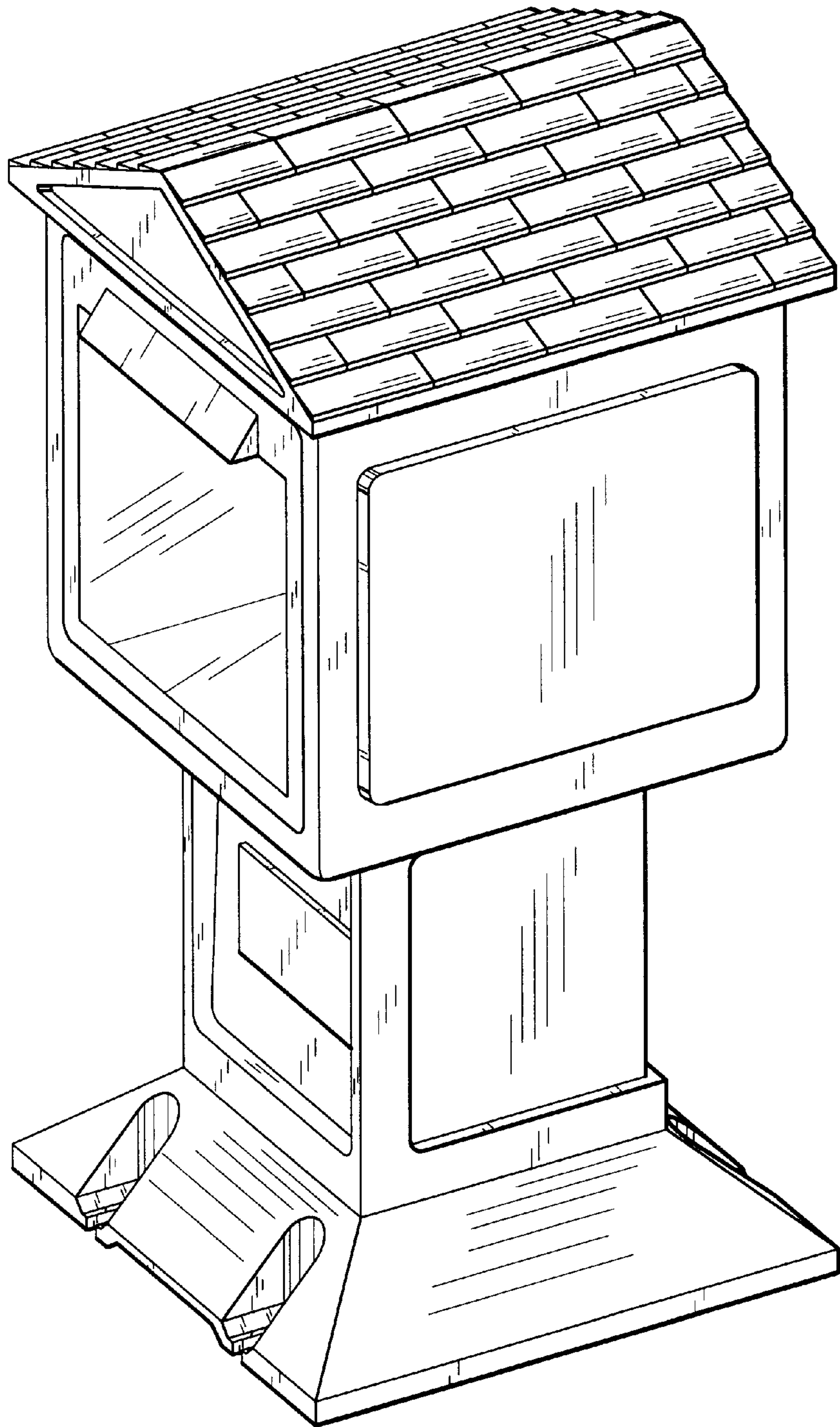
The ornamental design for a magazine rack, as shown and described.

**DESCRIPTION**

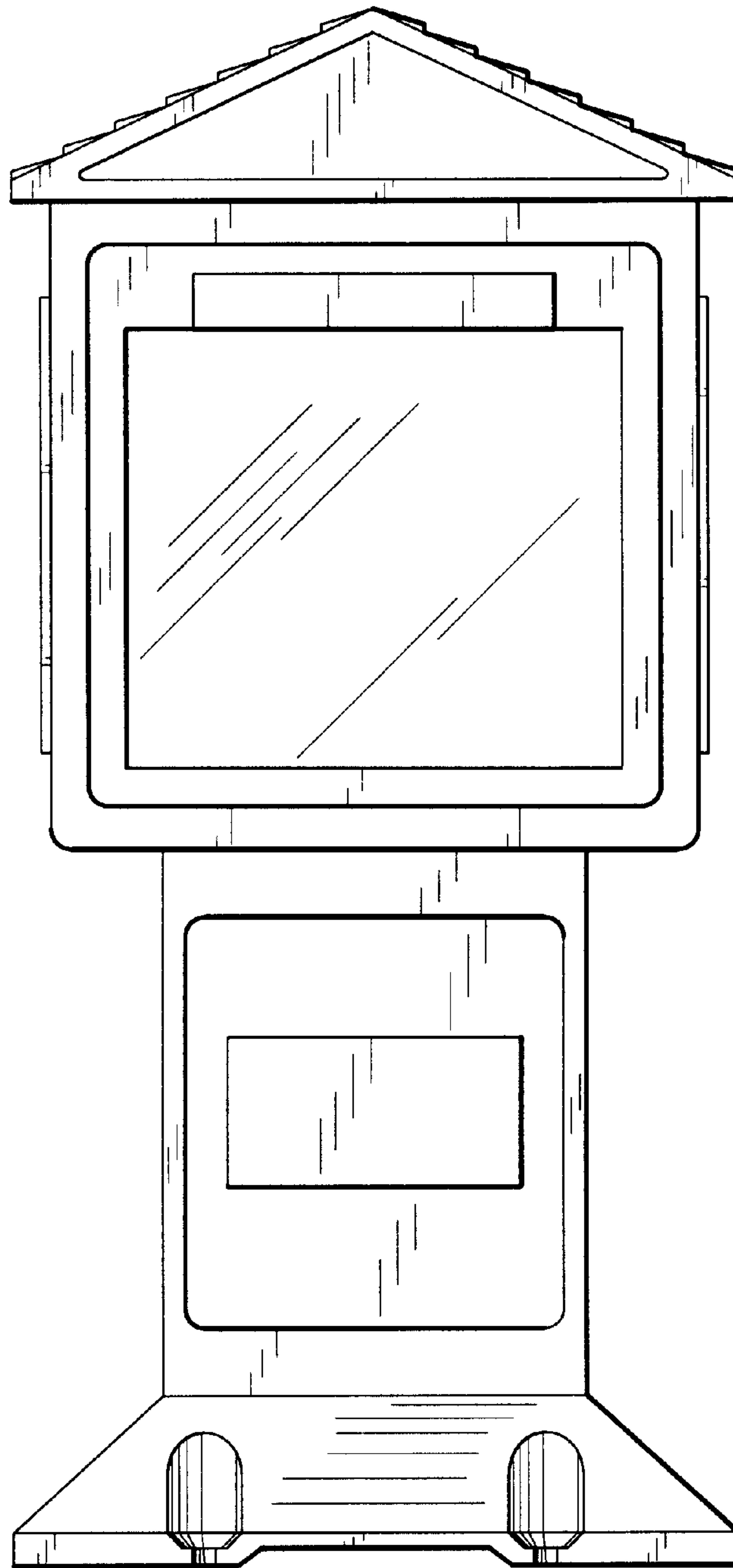
FIG. 1 is a perspective view of a magazine rack showing my new design;  
FIG. 2 is a front elevational view thereof;  
FIG. 3 is a rear elevational view thereof;  
FIG. 4 is a right side elevational view with the left side being a mirror image thereof;  
FIG. 5 is a top plan view thereof;  
FIG. 6 is a bottom plan view thereof; and,  
FIG. 7 is a perspective view in an open position thereof.

**1 Claim, 6 Drawing Sheets**

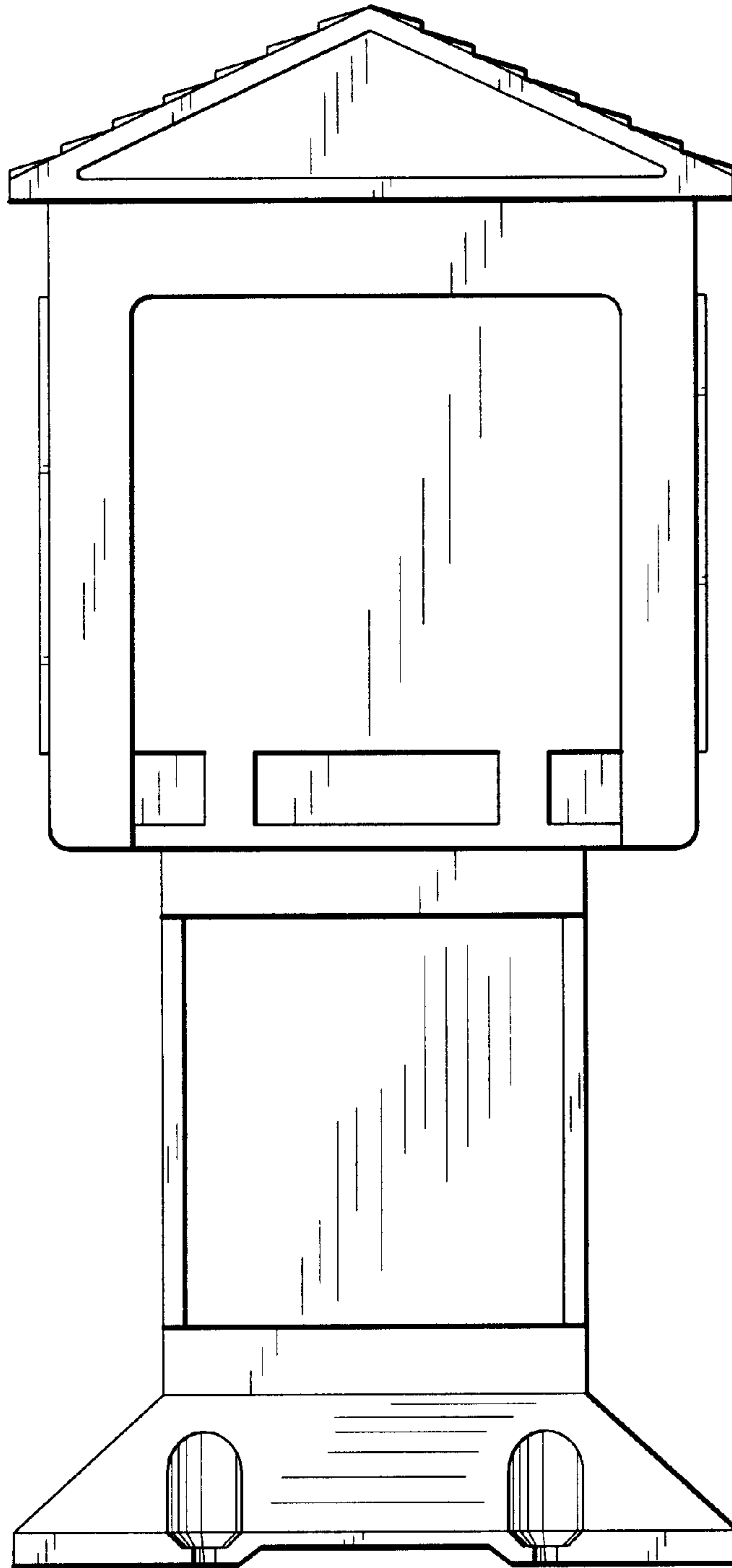




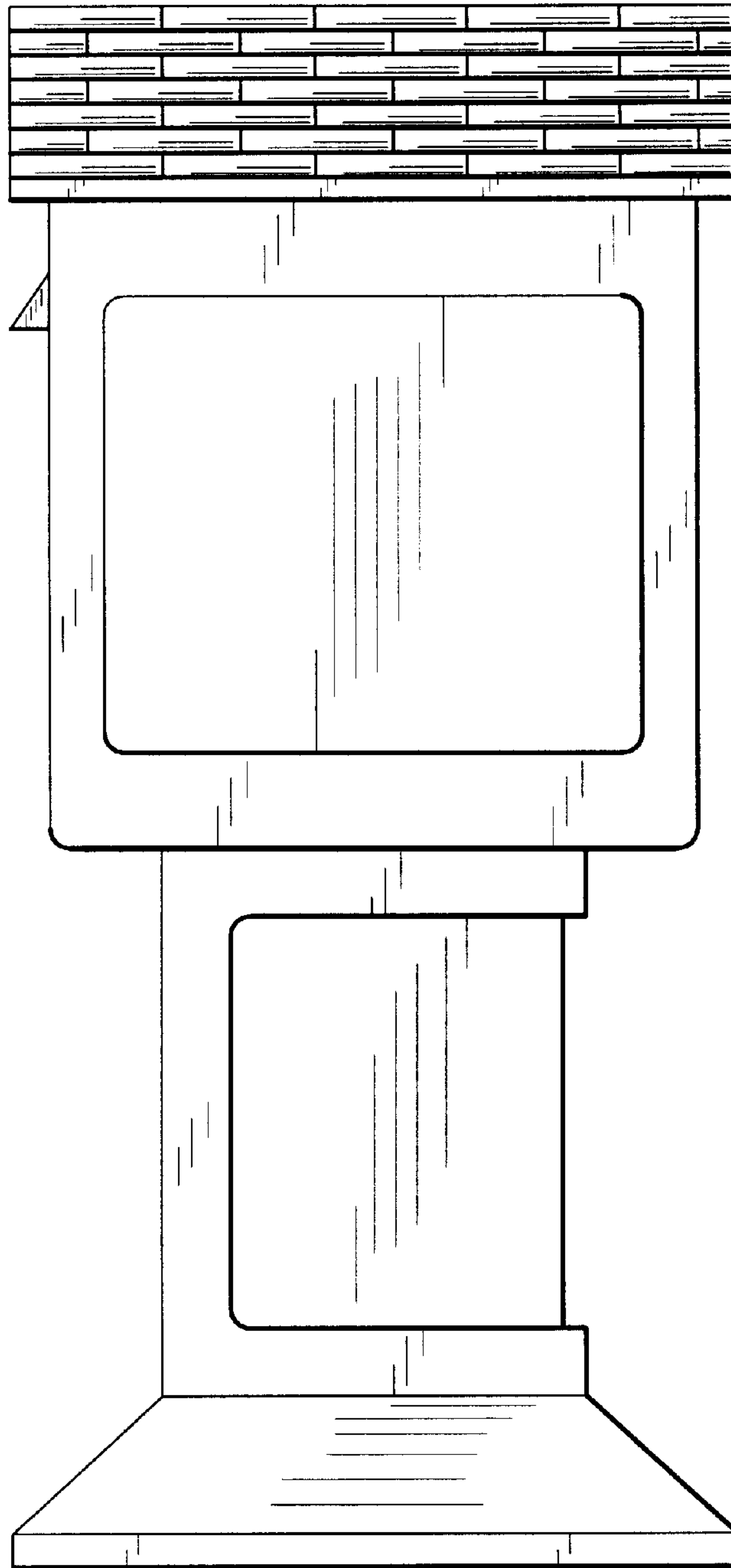
*Fig. 1*



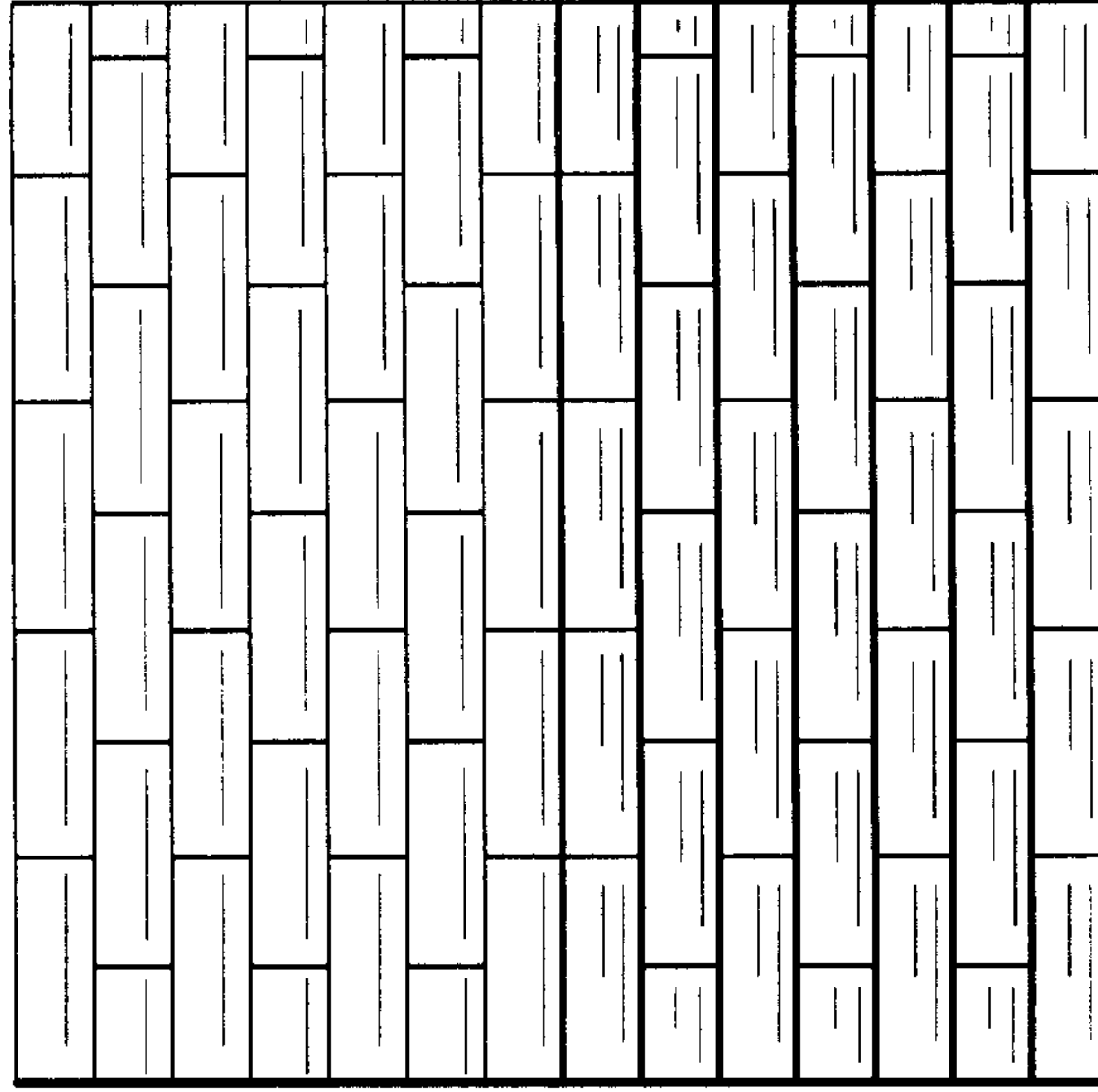
*Fig. 2*



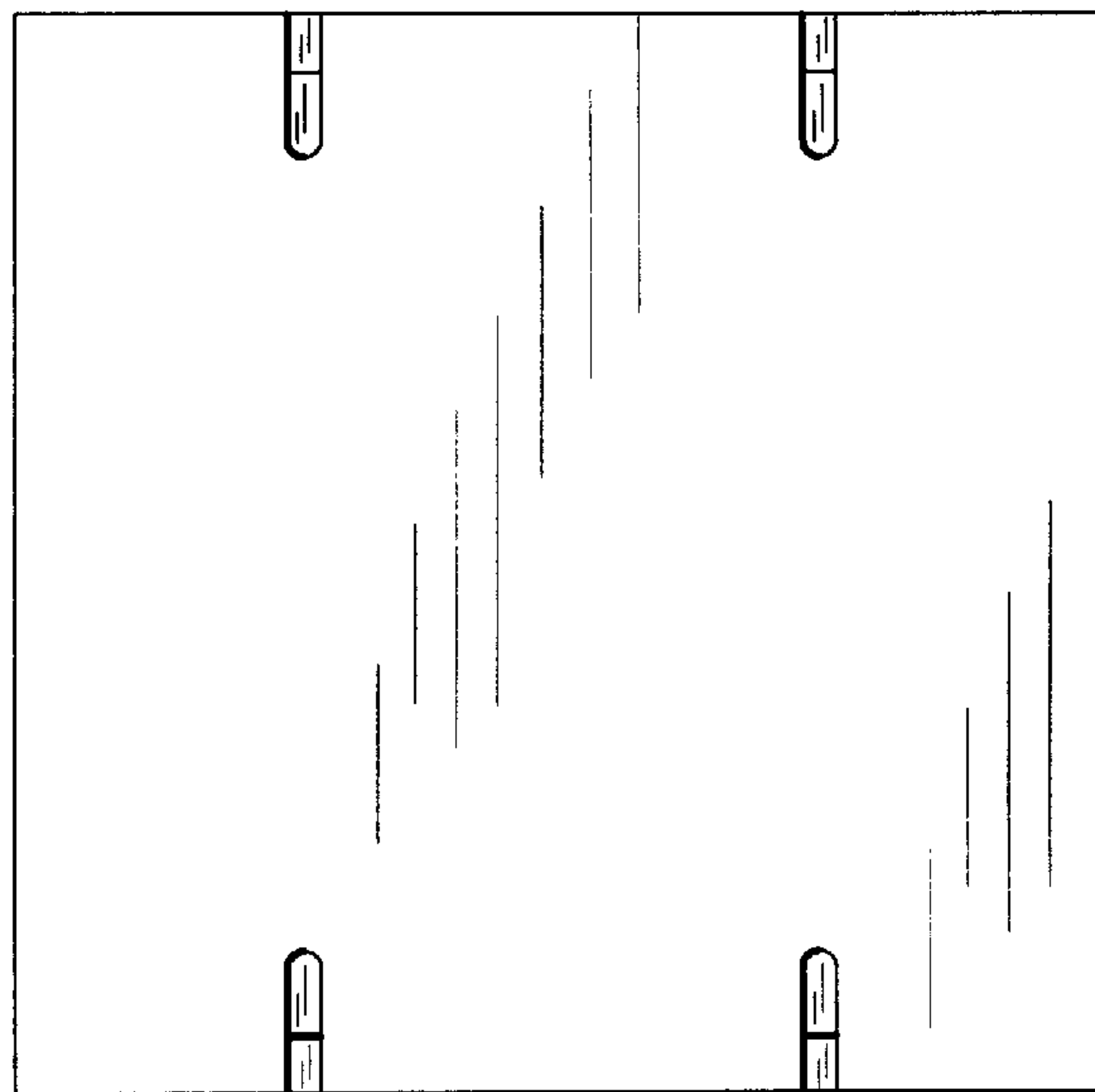
*Fig. 3*



*Fig. 4*

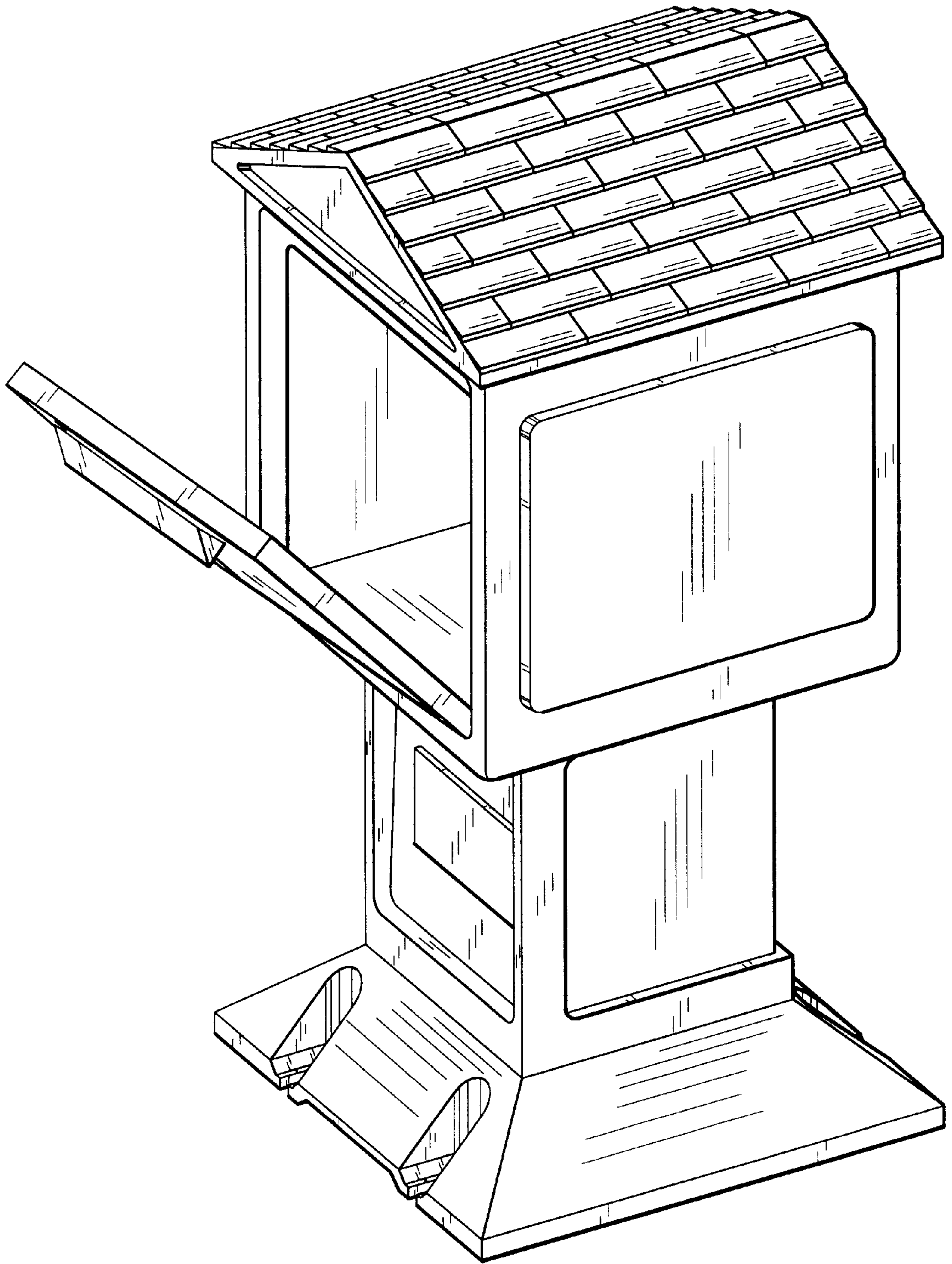


*Fig. 5*



*Fig. 6*





*Fig. 7*