



US00D443305S

(12) **United States Design Patent** (10) **Patent No.:** **US D443,305 S**
Stettes et al. (45) **Date of Patent:** **** Jun. 5, 2001**

(54) **BEVERAGE VENDING MACHINE**

(75) Inventors: **Gregory Glen Stettes**, Pacific; **Pieter Wilhelmus Werner Bouwkamp**, University City; **Wells Stone Beringer**, St. Louis, all of MO (US); **Robert J. Reese**, Spartanburg, SC (US)

(73) Assignee: **Crane Co.**, Stamford, CT (US)

(**) Term: **14 Years**

(21) Appl. No.: **29/107,279**

(22) Filed: **Jun. 30, 1999**

(51) **LOC (7) Cl.** **20-01**

(52) **U.S. Cl.** **D20/5**

(58) **Field of Search** D20/1-6; 194/205, 194/206, 212, 255, 350; 221/75, 92, 94-96, 126, 155, 195; 99/282, 283, 285

(56) **References Cited**

U.S. PATENT DOCUMENTS

- D. 256,376 * 8/1980 MacKrell D20/4
- D. 306,092 * 2/1990 Rockola D20/5
- D. 356,342 * 3/1995 Reese et al. D20/4
- D. 359,764 * 6/1995 King D20/4
- D. 368,102 * 3/1996 Bidwell et al. D20/5 X
- 4,454,670 * 6/1984 Bachmann et al. 194/350
- 5,090,589 * 2/1992 Brades et al. D20/5 X

OTHER PUBLICATIONS

- Zanussi Vending, *PRIMA*, Jan. 1993, pp. 1-2.
- Westomatic Vending Services Limited, *Sonata*, Apr. 1995, pp. 1-4.
- Xpresso, Inc., *Impressa X70*, 1998, pp. 1-2.
- Stentorfield, *Contour*, Apr. 1998, pp. 1-6.
- Stentorfield, *Profile*, Apr. 1998, pp. 1-6.
- Automatic Marketing Industries, Inc., *Coffee-Inn's® The Mocha Mart (Model MM-2C)*, undated, p. 1.
- Cafection inc. Enterprises, *Discover the Timeless Coffee Perfection of Avalon*, undated, pp. 1-5.

- Cafeja® coffee fresh®, *De lekkerste koffie door de beste ingrediënten en de modernste techniek*, undated, pp. 1-11.
- Cecilware Corporation, *When you think Cappuccino . . . think Cecilware!*, undated, pp. 1-6.
- Coffee Fresh International, LLC, *Coffee Fresh 1000*, undated, pp. 1-2.
- Coffee Fresh Sverig AB, *coffee fresh www.coffeefresh.com*, undated, pp. 1-4.
- Coffee-Inn's, *C•B•C• Always Freshly Brewed Cup•By•Cup•*, undated, pp. 1.
- Crane National Vendors, *Café System 7 Hot Beverage Table- Top Dispenser*, undated, pp. 1-2.
- D.E.S. Distribution Inc., *Compagno*, undated, pp. 1-2.
- Douwe Egberts, *Gallery 100. De compact automaat voor altijd verse koffie.*, undated, pp. 1-2.
- Douwe Egberts, *Gallery 200. De stijlvolle automaat voor altijd verse koffie in vele variaties.*, undated, pp. 1-2.

(List continued on next page.)

Primary Examiner—Nanda Bondade

(74) *Attorney, Agent, or Firm*—Hughes & Luce, L.L.P.

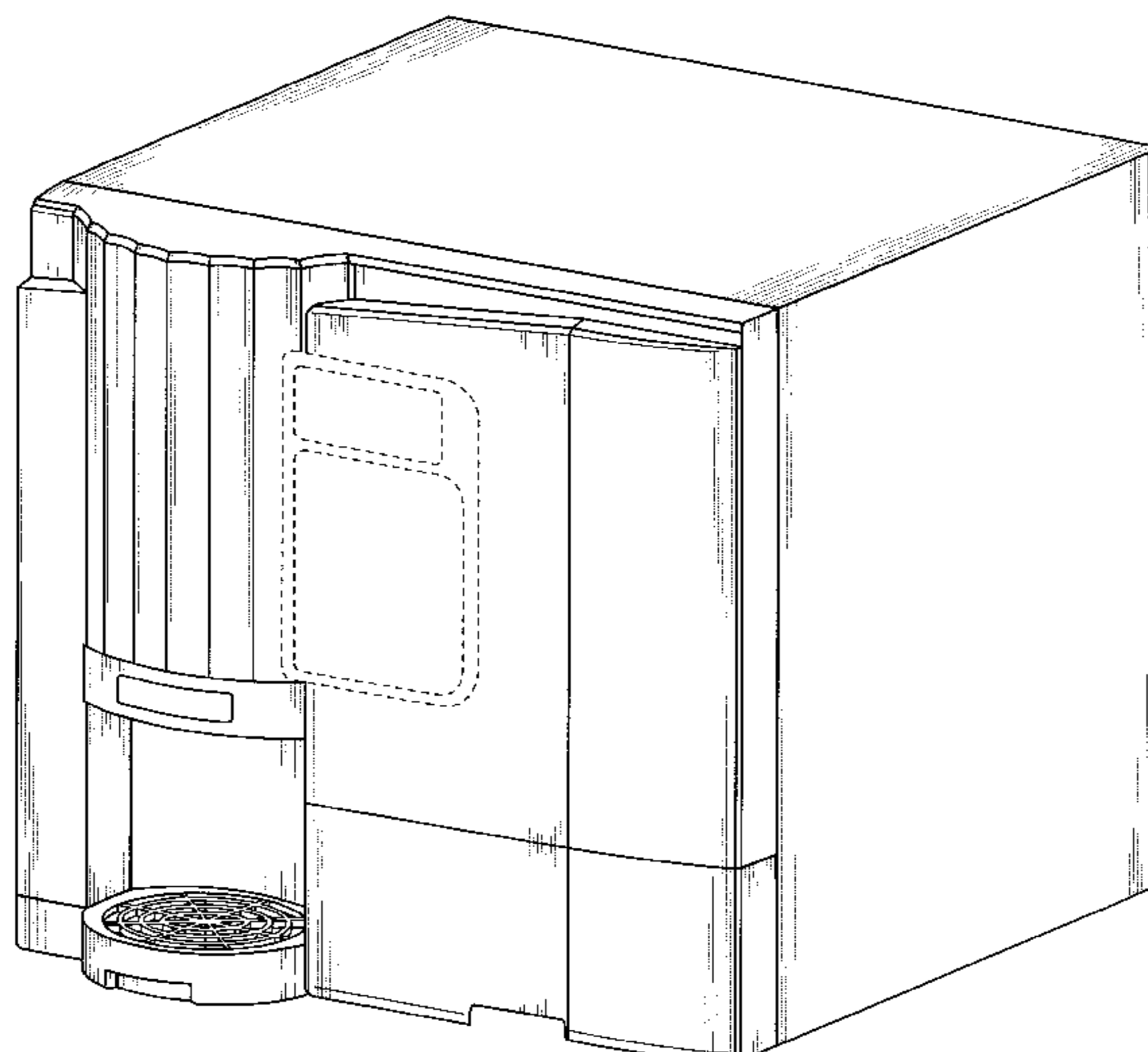
(57) **CLAIM**

The ornamental design for a beverage vending machine, as shown and described.

DESCRIPTION

FIG. 1 is a perspective view of a beverage vending machine showing our new design;
 FIG. 2 is a front elevational view thereof;
 FIG. 3 is a rear elevational view thereof;
 FIG. 4 is a right side elevational view thereof;
 FIG. 5 is a left side elevational view thereof;
 FIG. 6 is a top plan view thereof; and,
 FIG. 7 is a bottom plan view thereof.
 The broken line showing on FIGS. 1, 2, 4 and 6-7 is for illustrative purposes only and forms no part of the claimed design.

1 Claim, 7 Drawing Sheets



OTHER PUBLICATIONS

Filterfresh, *Filterfresh is always ready to serve you the perfect cup of coffee!*, undated, pp. 1-2.

Rhea Vendors S.p.A., *P.C.M. The racing car for coffee*, undated, pp. 1-4.

Saeco® Vending, *Saeco 10P Plus*, undated, pp. 1-4.

Spengler Getränkemaschinen GmbH, *top FB 11 AND IN 11 The New Generation of Tabletop Dispensers*, undated, pp. 1-2.

Spengler Getränkemaschinen GmbH, *top FB 11 AND IN 11 Das Einzigartige Geschmackserlebnis*, undated, pp. 1-2.

Spengler Getränkemaschinen GmbH, *Office Line*, (English version), undated, pp. 1-2.

Spengler Getränkemaschinen GmbH, *Office Line*, (German version) undated, pp. 1-2.

The Sankey Unicafé, *A New Dimension In Fresh Brewed Coffee*, undated, pp. 1-2.

Van Nelle, *Gallery 300 Vers, Gevarieerd. Volautomatisch.*, undated, pp. 1-3.

Westomatic Vending Services Limited, *MONACO®*, undated, pp. 1-3.

Zanussi Vending, *Dispenser*, undated, pp. 1-2.

Zanussi Vending, *Firenze*, undated, pp. 1-2.

* cited by examiner

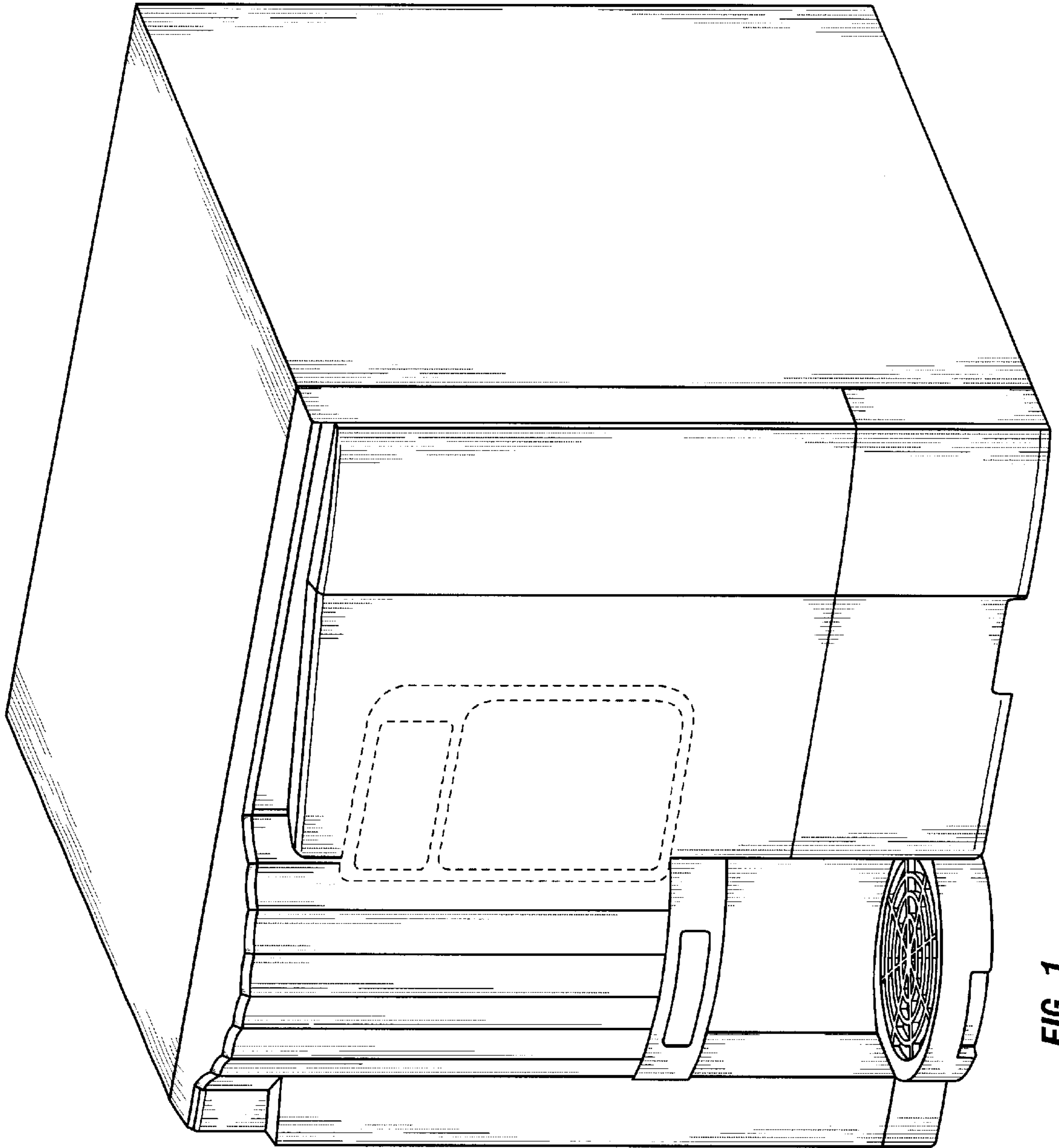


FIG. 1

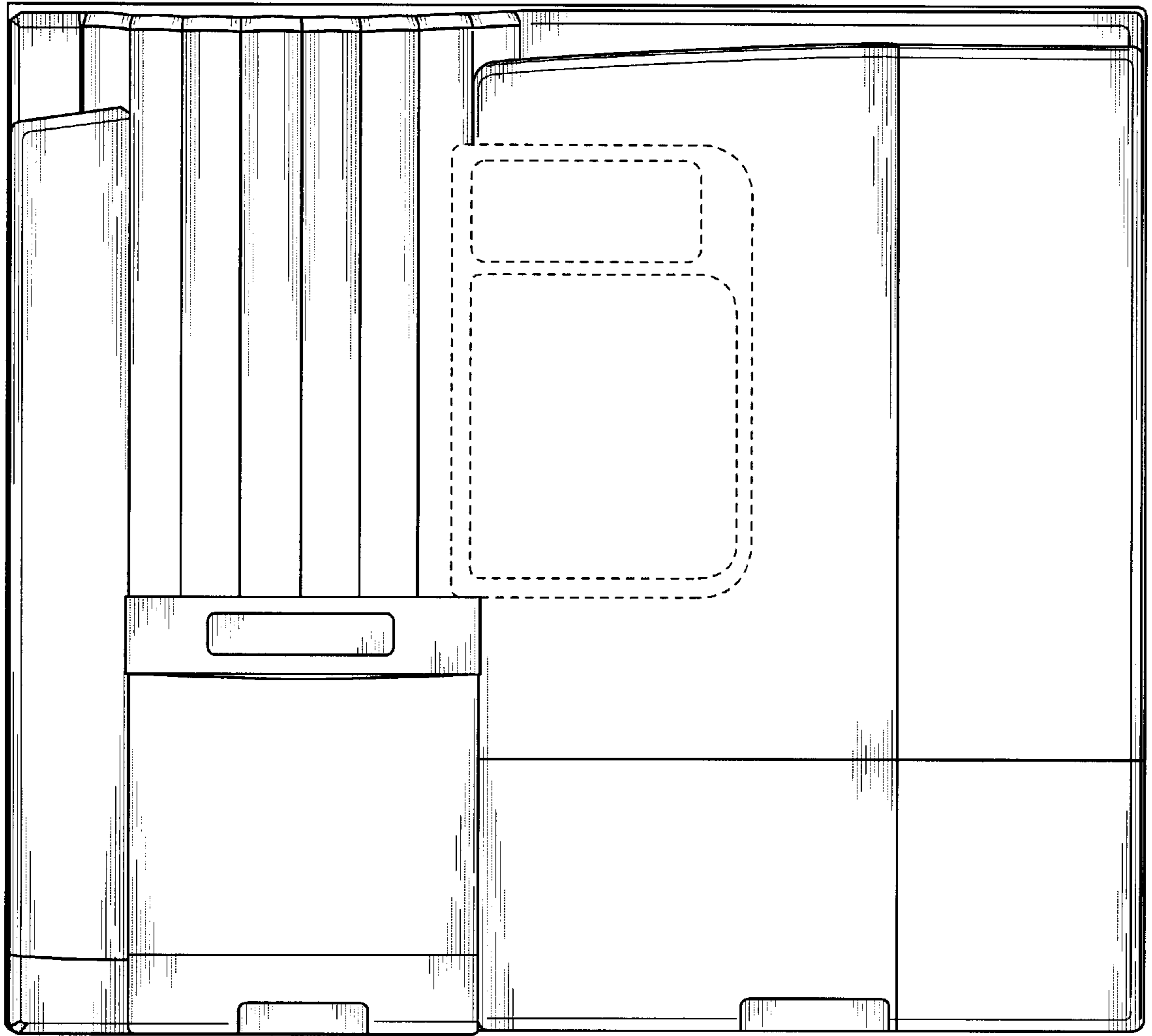


FIG. 2

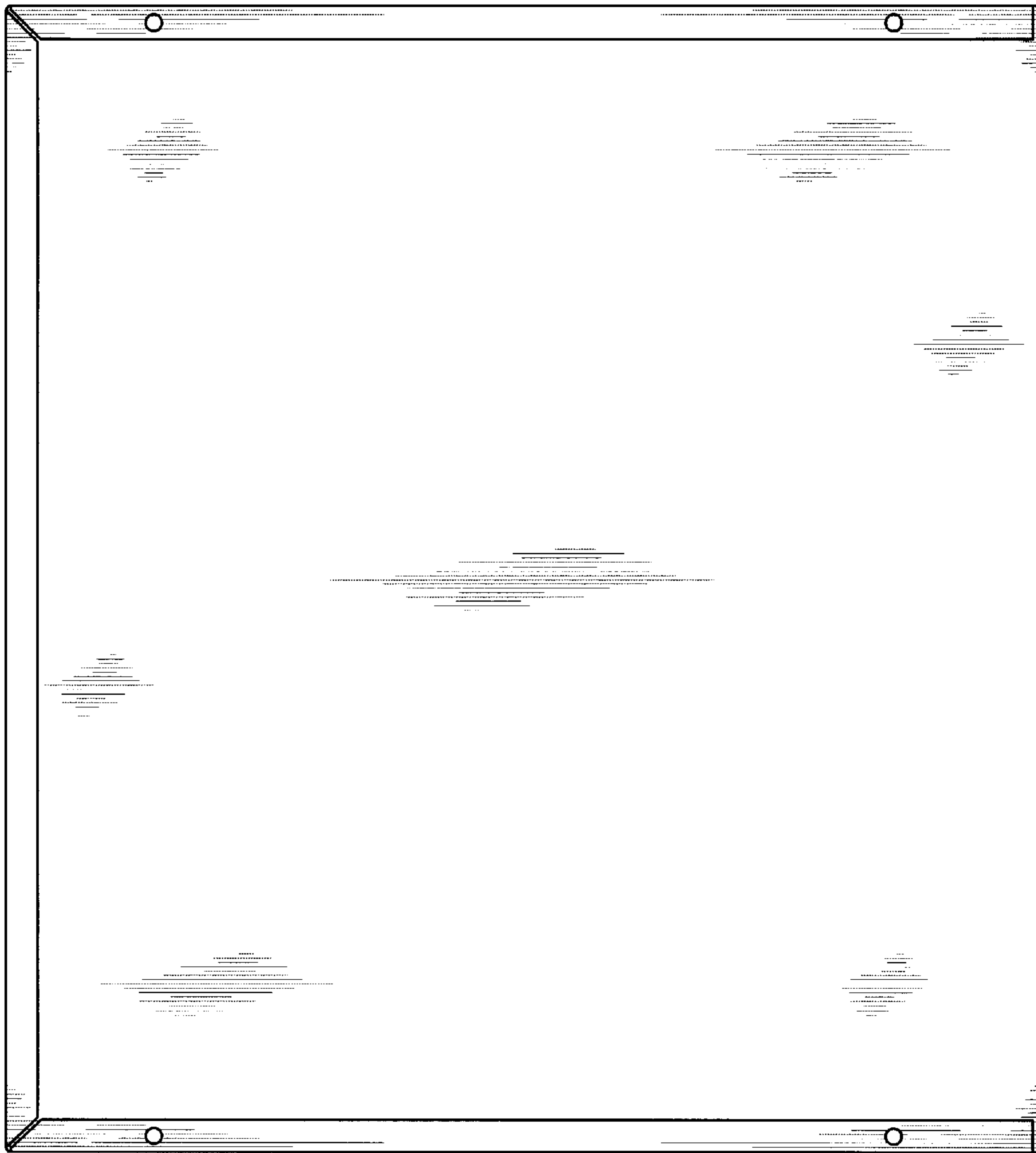


FIG. 3

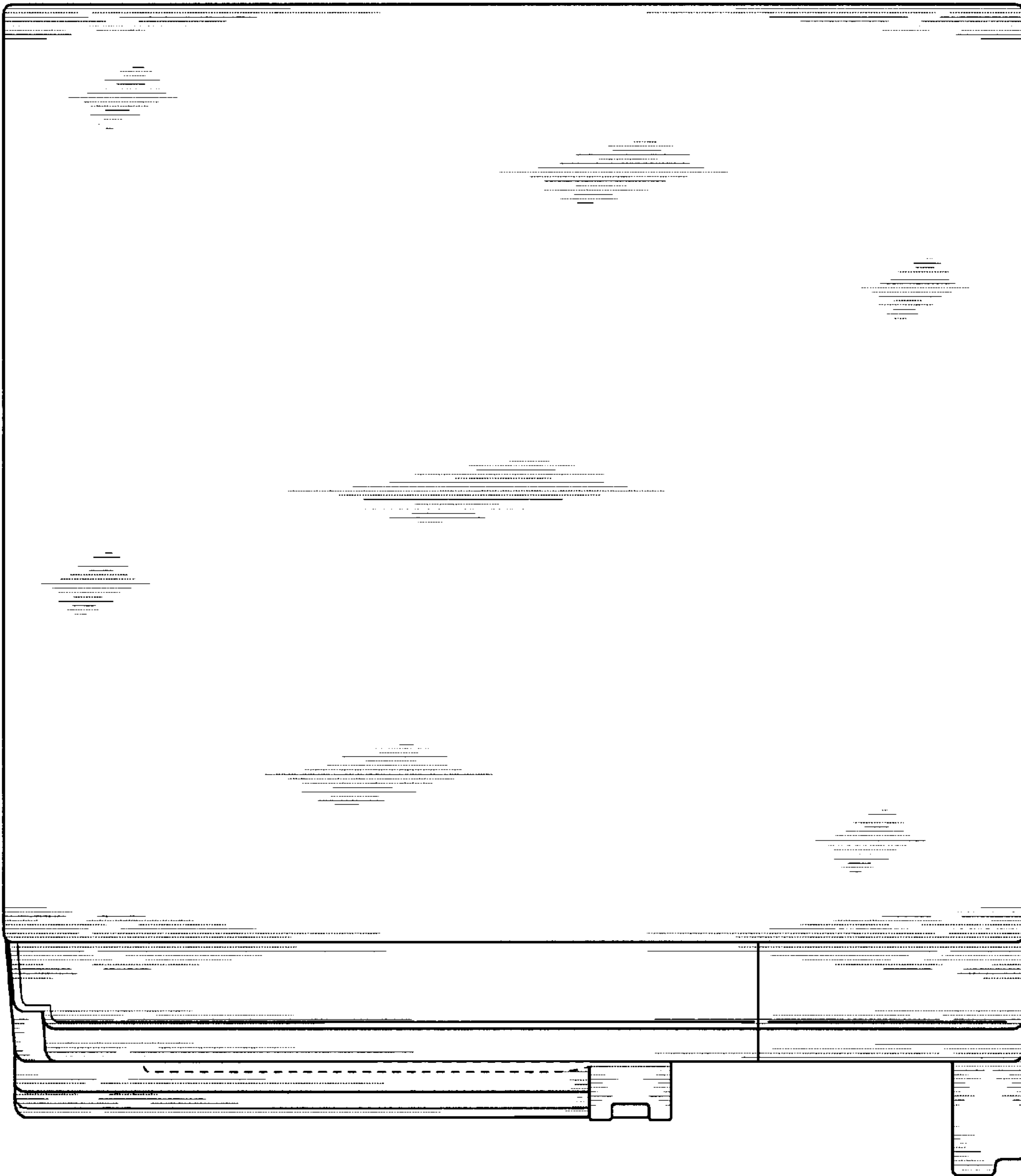


FIG. 4

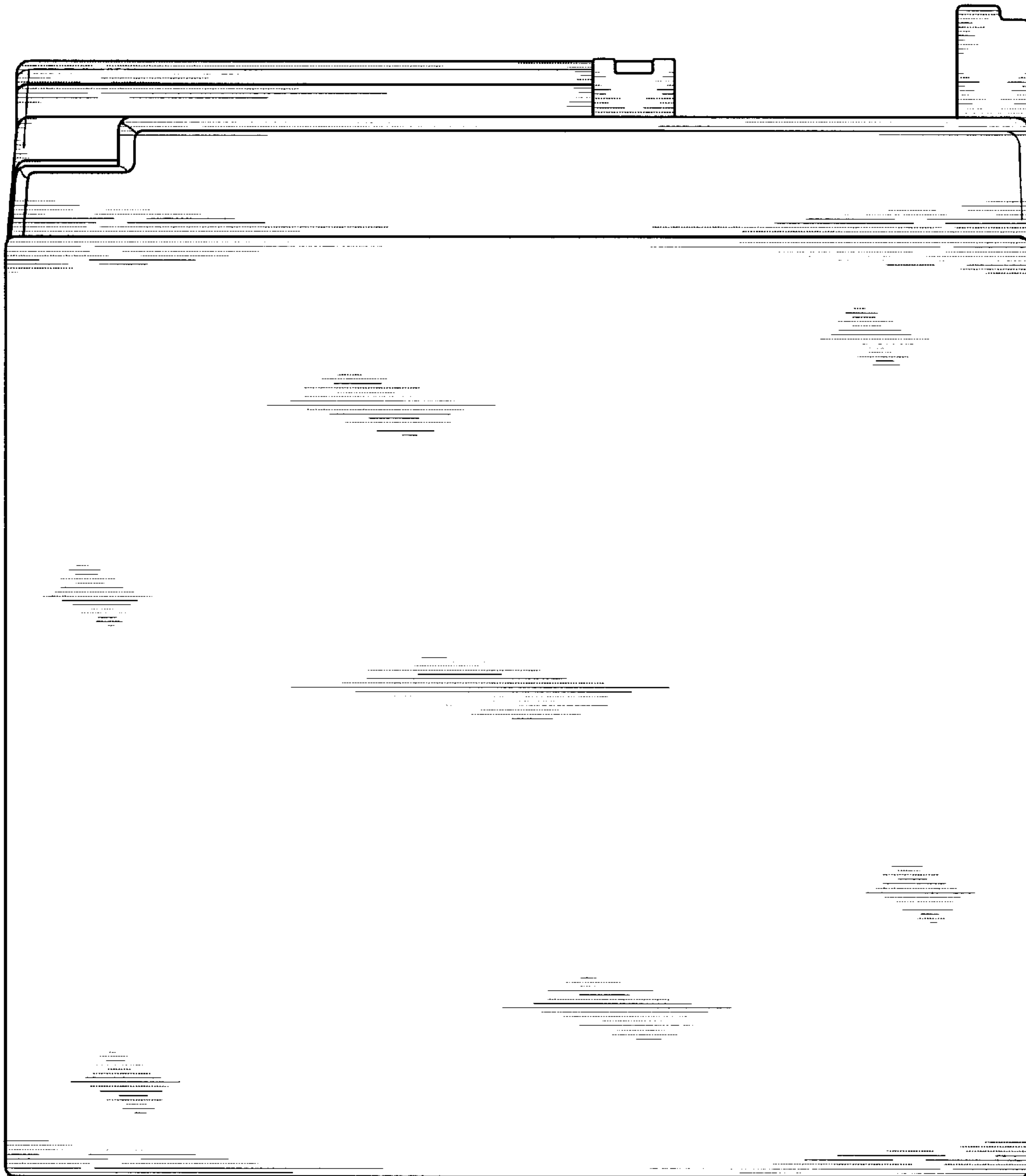


FIG. 5

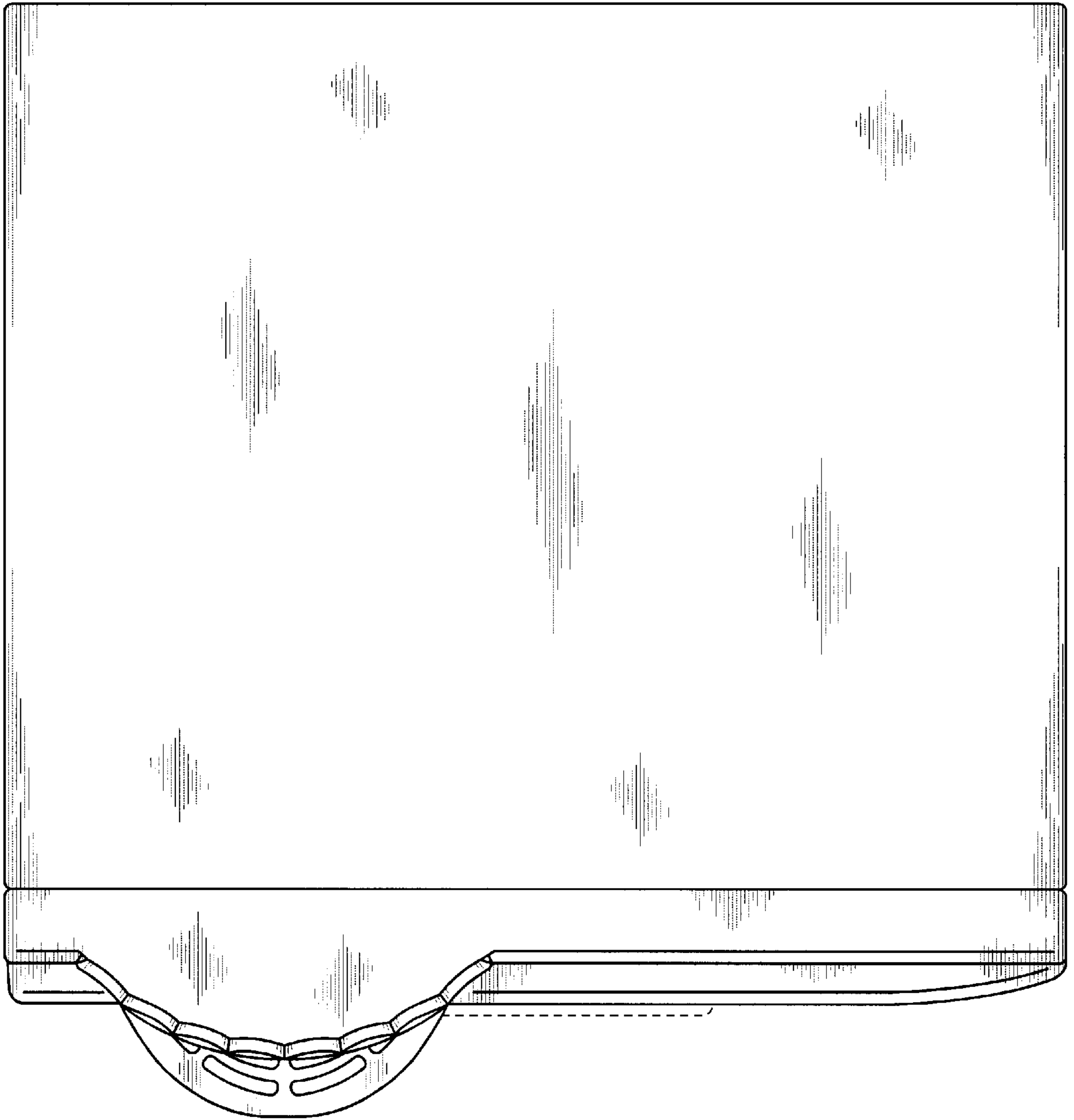


FIG. 6

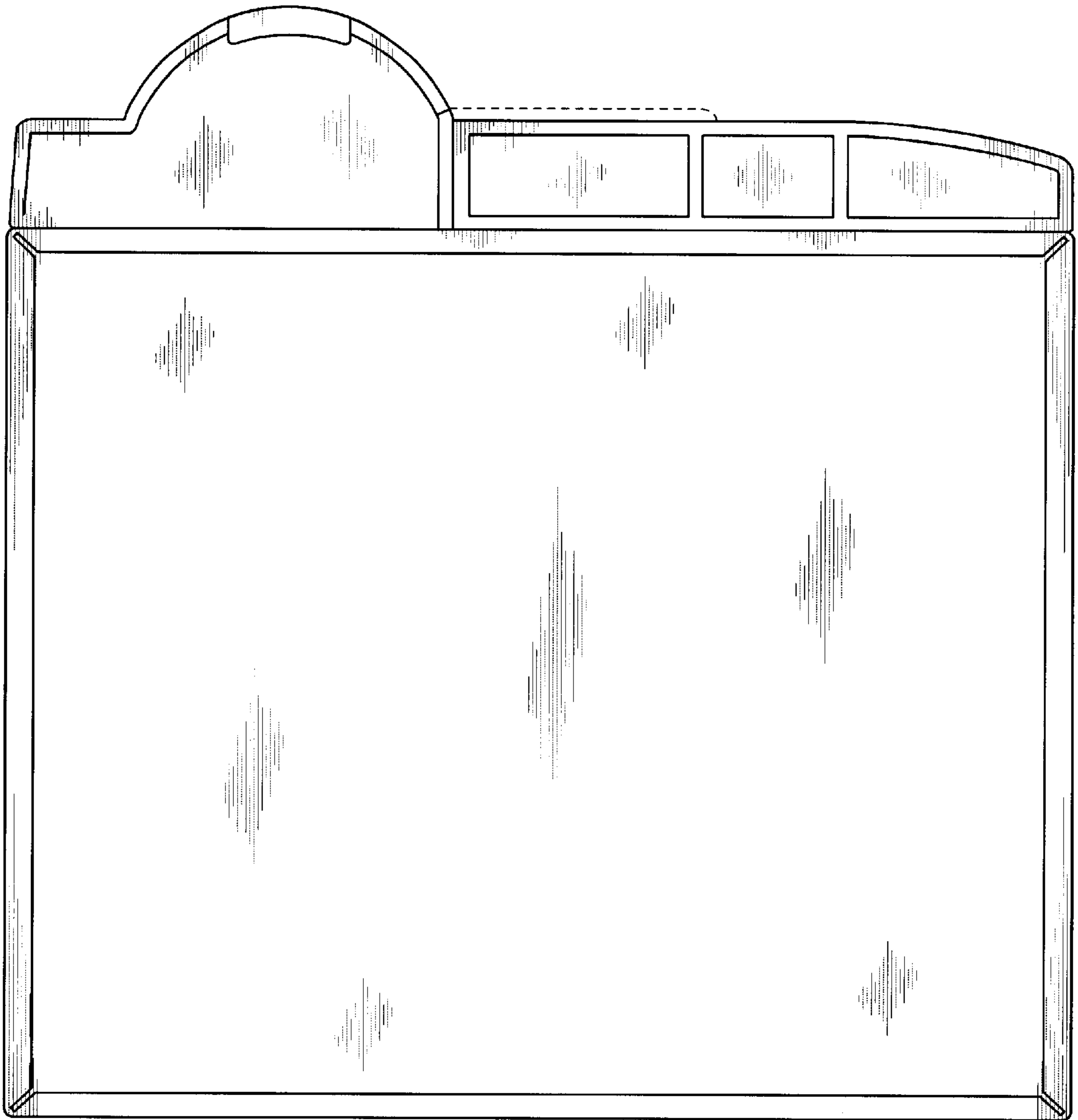


FIG. 7