



US00D443304S

(12) **United States Design Patent**
Mak

(10) **Patent No.:** **US D443,304 S**

(45) **Date of Patent:** **** Jun. 5, 2001**

(54) **TOY DRAWING BOARD**

(75) **Inventor:** **Kai-Shun Mak, N. T. (CN)**

(73) **Assignee:** **Hop Lee Cheong Industrial Company Limited, Kwai Chung (CN)**

(**) **Term:** **14 Years**

(21) **Appl. No.:** **29/116,962**

(22) **Filed:** **Jan. 13, 2000**

(51) **LOC (7) Cl.** **19-06**

(52) **U.S. Cl.** **D19/52; D19/35; D21/398**

(58) **Field of Search** **D21/398; D19/35, D19/36, 78, 81-85, 52, 65, 86, 90, 91, 100; 434/81, 84, 85, 87, 88, 90, 91, 98, 408, 415, 410, 422**

(56) **References Cited**

U.S. PATENT DOCUMENTS

- D. 327,498 * 6/1992 Watson et al. D21/469
- D. 359,984 * 7/1995 Mak D19/52
- D. 419,190 * 1/2000 Mak D19/52

- D. 419,599 * 1/2000 Mak D19/52
- 4,669,984 * 6/1987 Jones et al. 434/85
- 5,263,866 * 11/1993 Campbell 434/416
- 5,676,549 * 10/1997 Arad et al. 434/84
- 5,820,385 * 10/1998 Ohashi et al. 434/409

* cited by examiner

Primary Examiner—Martie K. Holtje

(74) *Attorney, Agent, or Firm*—Alix, Yale & Ristas, LLP

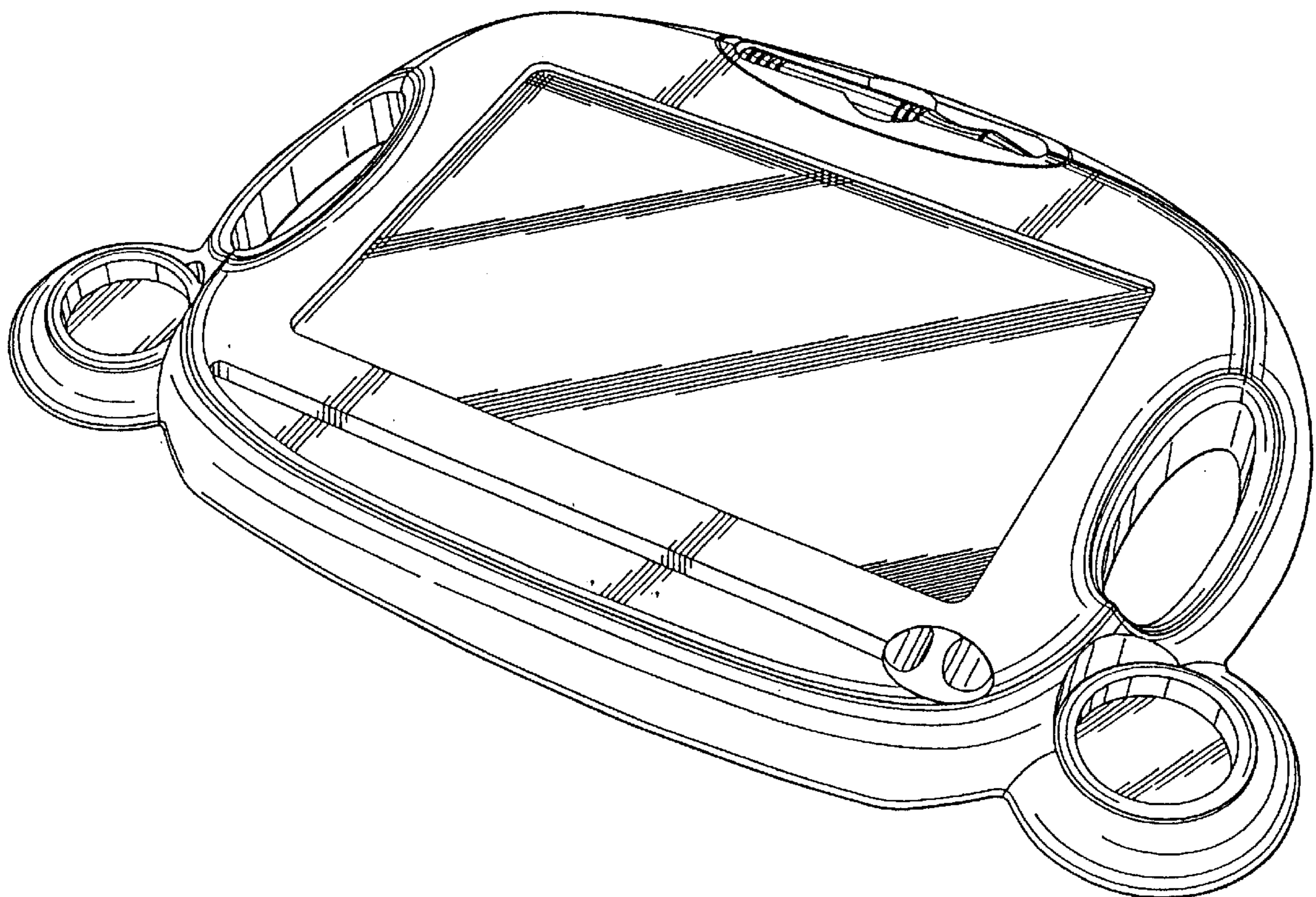
(57) **CLAIM**

The ornamental design for a toy drawing board, as shown and described.

DESCRIPTION

FIG. 1 is a perspective view of a toy drawing board showing my new design;
 FIG. 2 is a front elevational view thereof;
 FIG. 3 is a top plan view thereof;
 FIG. 4 is a rear elevational view thereof;
 FIG. 5 is a bottom plan view thereof;
 FIG. 6 is a left side elevational view thereof; and,
 FIG. 7 is a right side elevational view thereof.

1 Claim, 4 Drawing Sheets



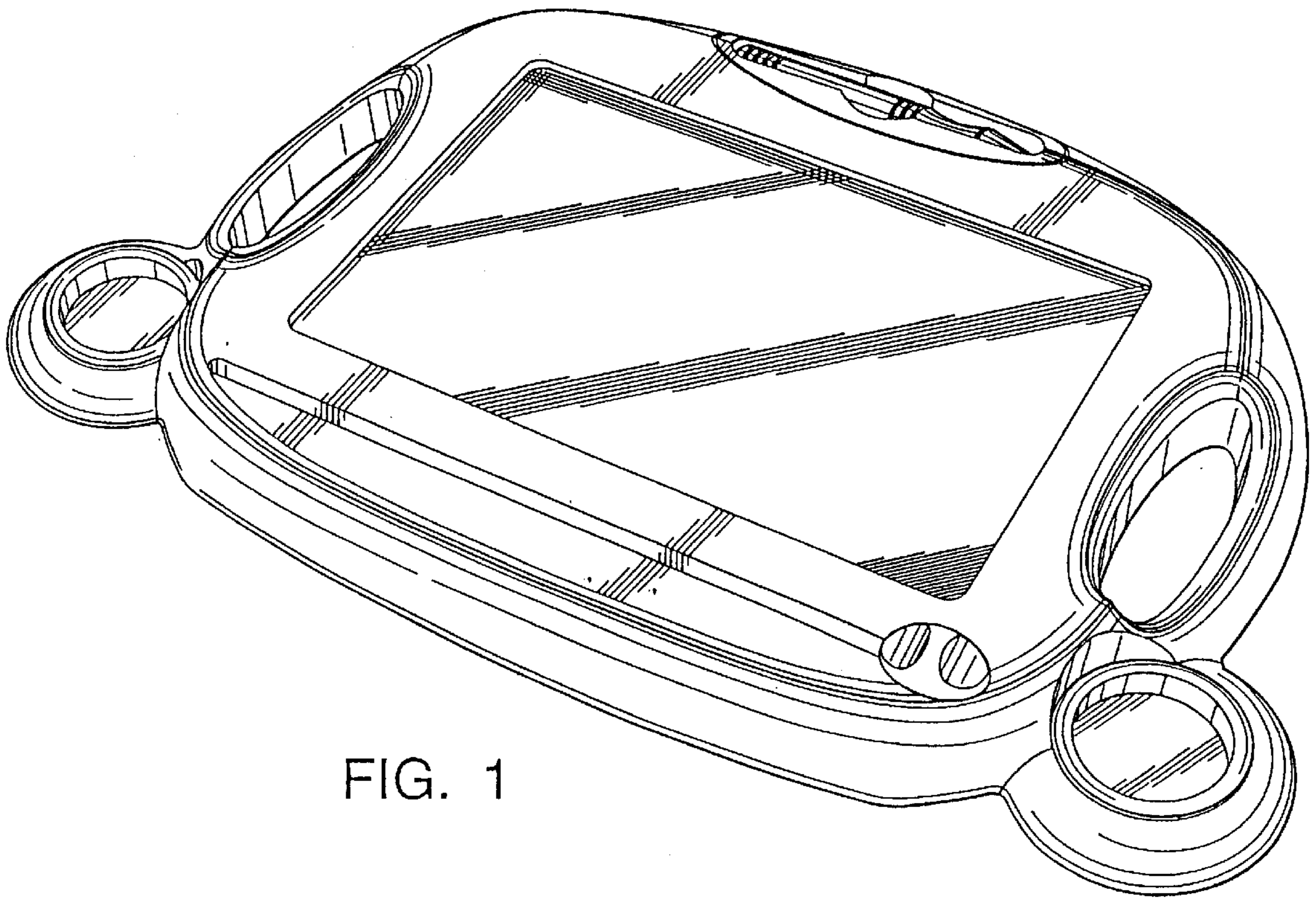


FIG. 1

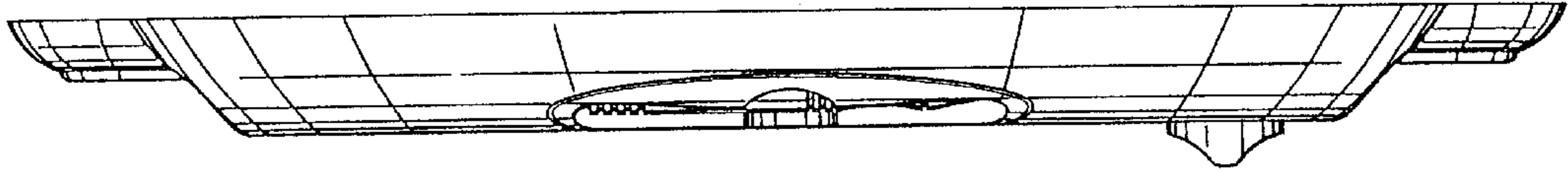


FIG. 3

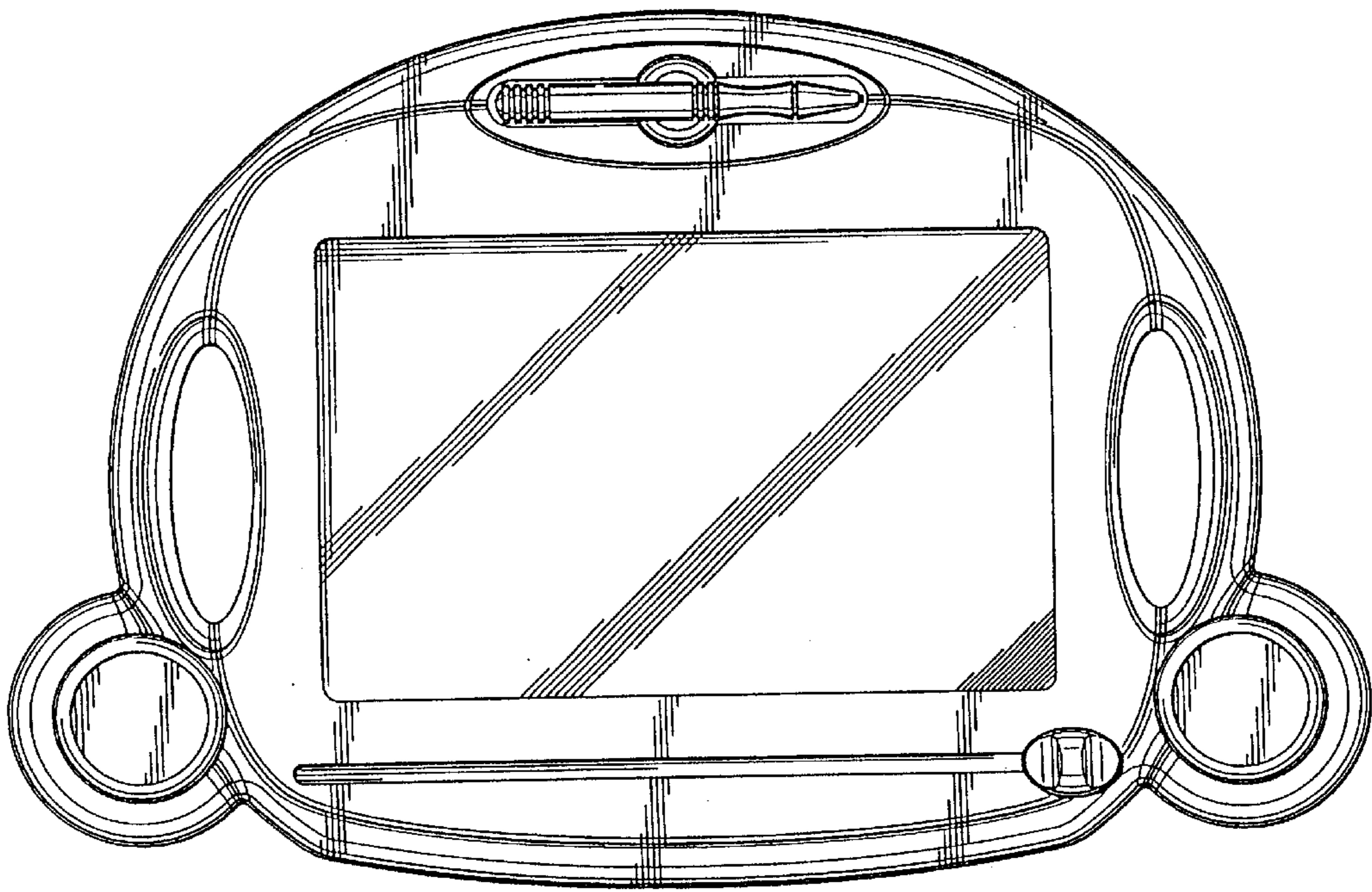


FIG. 2

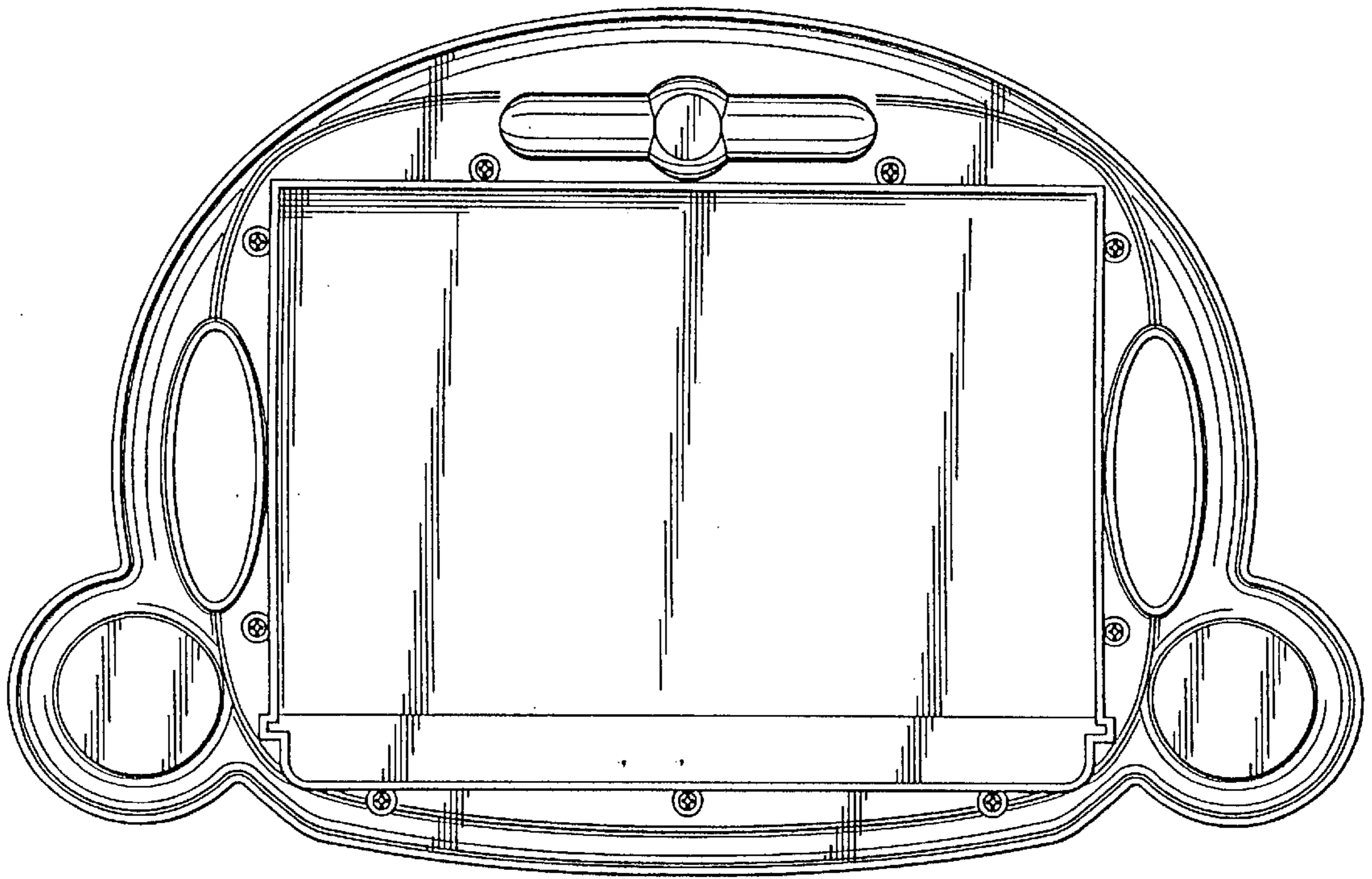


FIG. 4

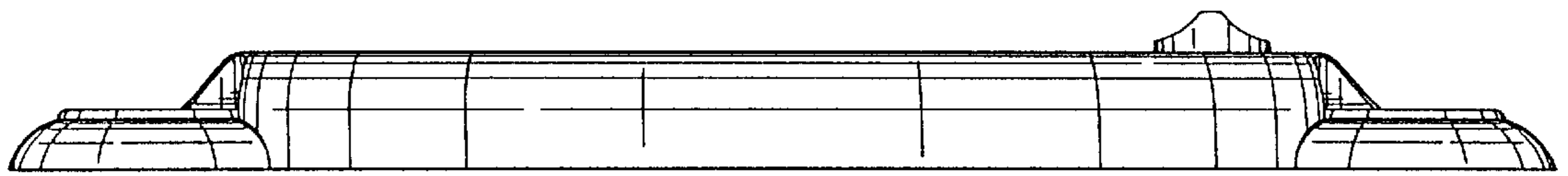


FIG. 5

FIG. 6

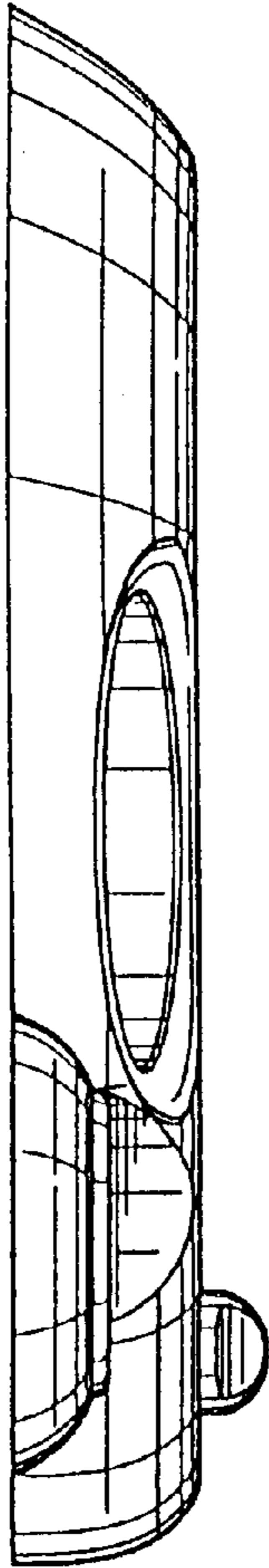


FIG. 7

