



US00D443303S

(12) **United States Design Patent**  
**Ashe**

(10) **Patent No.:** **US D443,303 S**

(45) **Date of Patent:** **\*\* Jun. 5, 2001**

(54) **BATH PEN**

(76) **Inventor:** **Jay A. Ashe**, 409 Jay Ct., Sonoma, CA  
(US) 95476

(\*\*) **Term:** **14 Years**

(21) **Appl. No.:** **29/130,172**

(22) **Filed:** **Sep. 27, 2000**

(51) **LOC (7) Cl.** ..... **19-06**

(52) **U.S. Cl.** ..... **D19/48; D19/51; D21/473**

(58) **Field of Search** ..... **D19/35, 36, 41-51,**  
**D19/53-58, 81-85; D21/473; 401/6, 7,**  
**88, 99, 209**

(56) **References Cited**

**U.S. PATENT DOCUMENTS**

D. 145,586	*	9/1946	Reynolds	.....	D19/48
D. 149,672	*	5/1948	Phillips	.....	D19/48
D. 329,873	*	9/1992	Tu	.....	D19/48
D. 360,223	*	7/1995	Lamber	.....	D19/55
D. 372,497	*	8/1996	Lamber	.....	D19/48

\* cited by examiner

*Primary Examiner*—Martie K. Holtje

(74) *Attorney, Agent, or Firm*—Daniel C. McKown

(57) **CLAIM**

The ornamental design for a bath pen, as shown and described.

**DESCRIPTION**

FIG. 1 is a front left bottom perspective view of a bath pen showing my new design in a first embodiment;

FIG. 2 is a front elevational view thereof;

FIG. 3 is a top plan view thereof; and,

FIG. 4 is a bottom plan view thereof.

The left, right, and rear elevational views are identical to the front elevational view of FIG. 2.

FIG. 5 is a front left bottom perspective view of a bath pen showing my new design in a second embodiment;

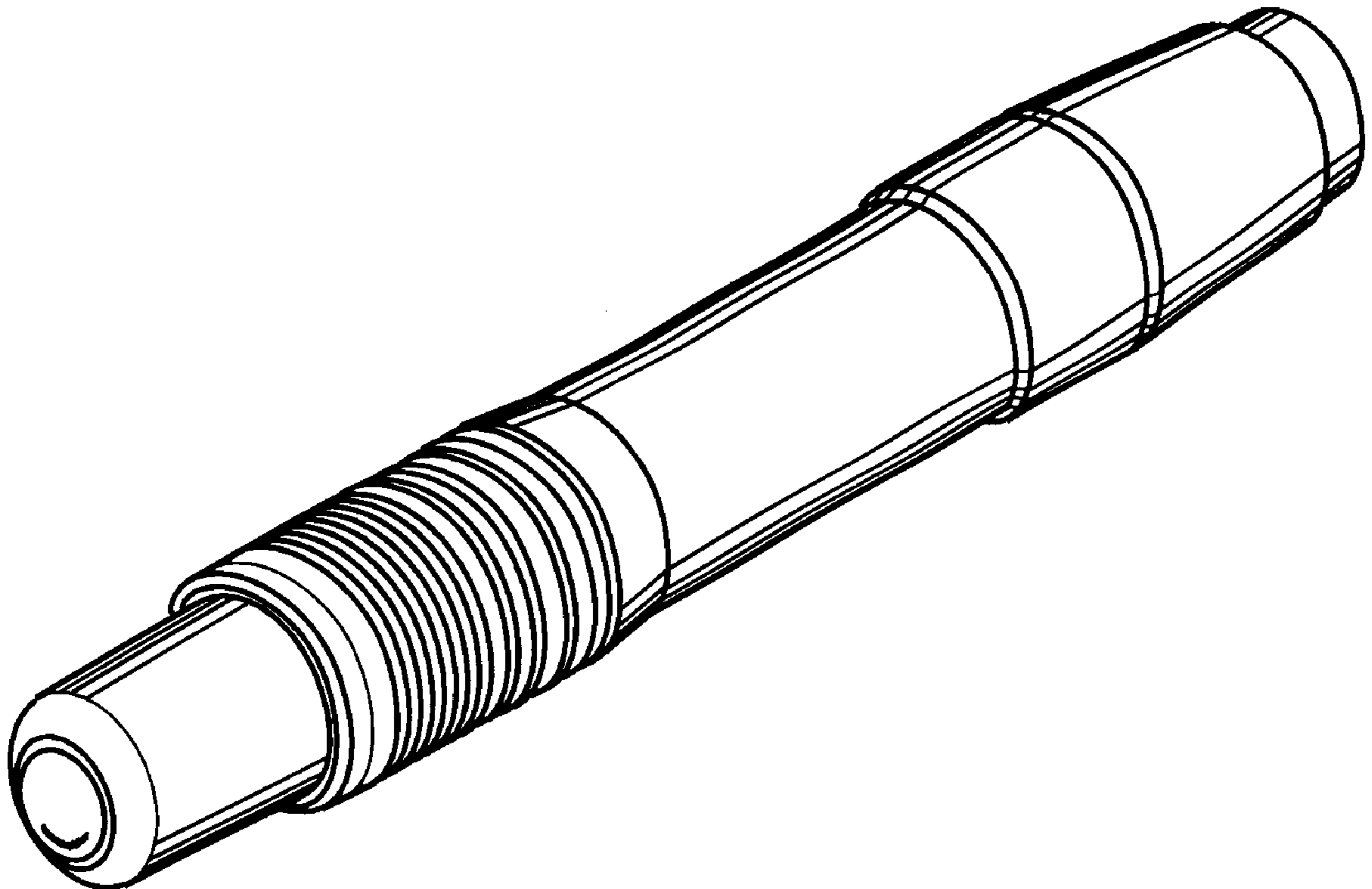
FIG. 6 is a front elevational view thereof;

FIG. 7 is a top plan view thereof; and,

FIG. 8 is a bottom plan view thereof.

The left, right, and rear elevational views are identical to the front elevational view of FIG. 6.

**1 Claim, 2 Drawing Sheets**



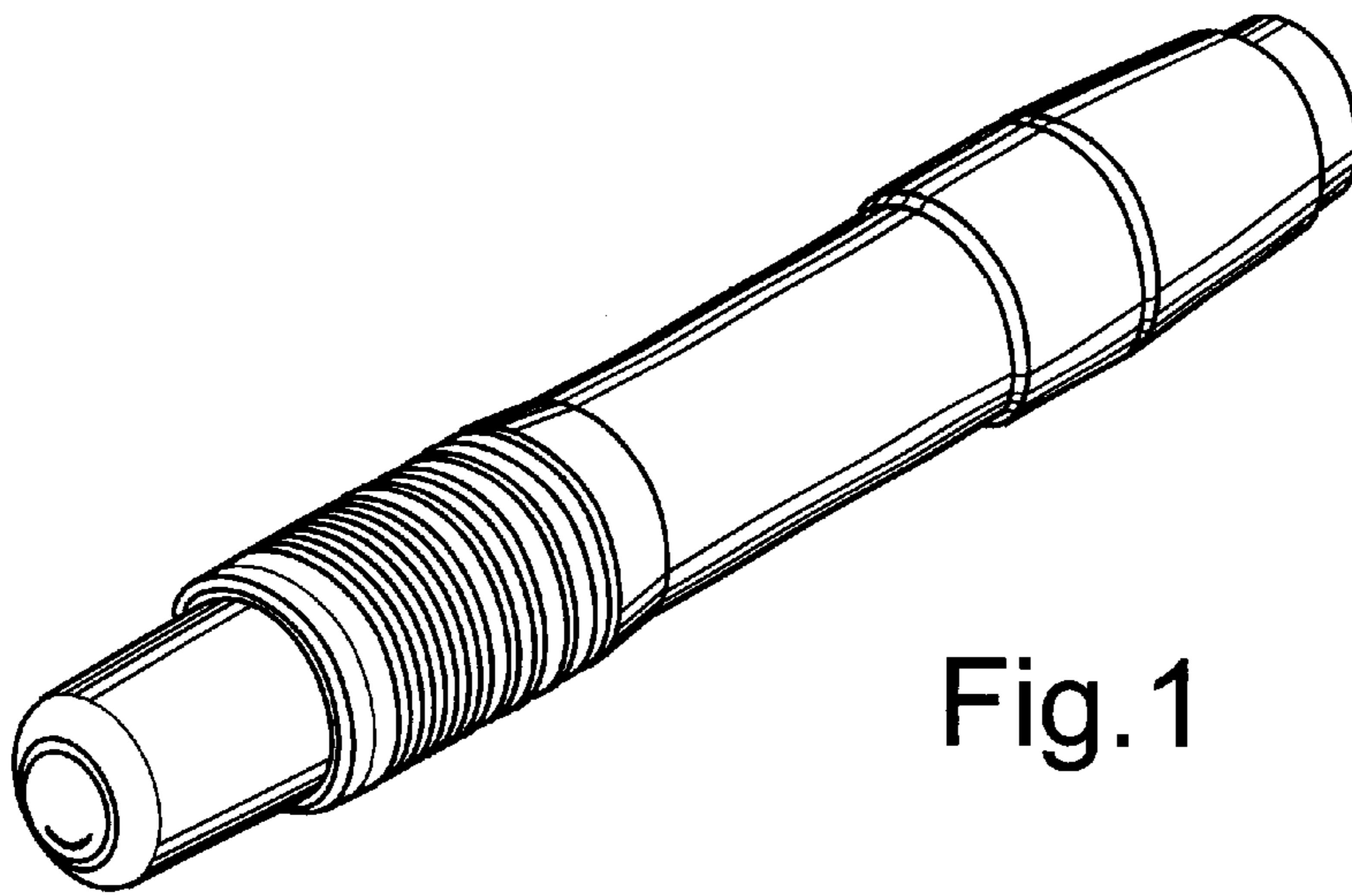


Fig. 1

Fig. 2

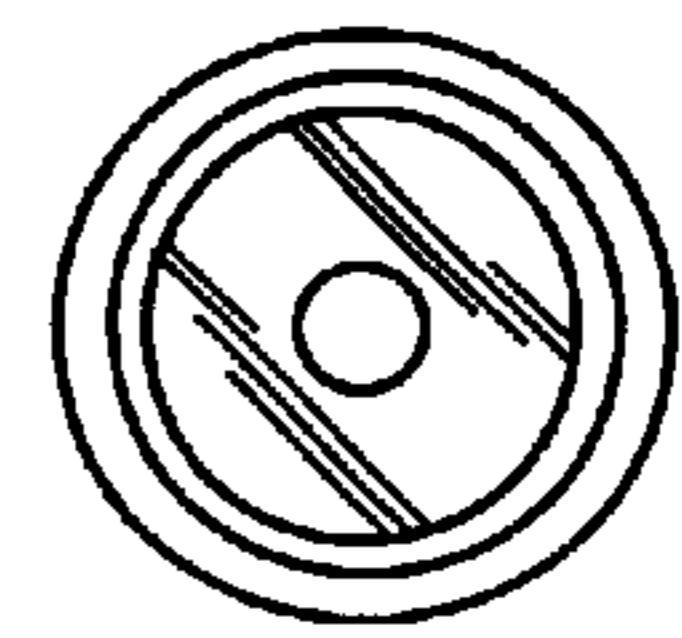
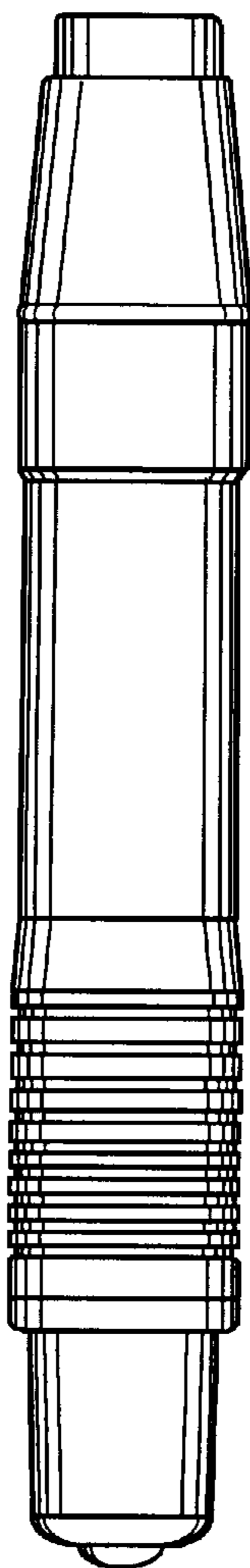


Fig. 3

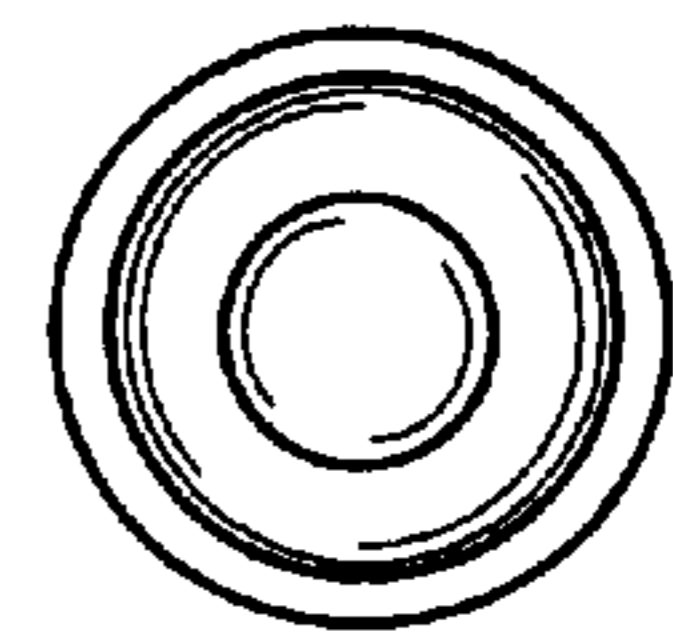


Fig. 4

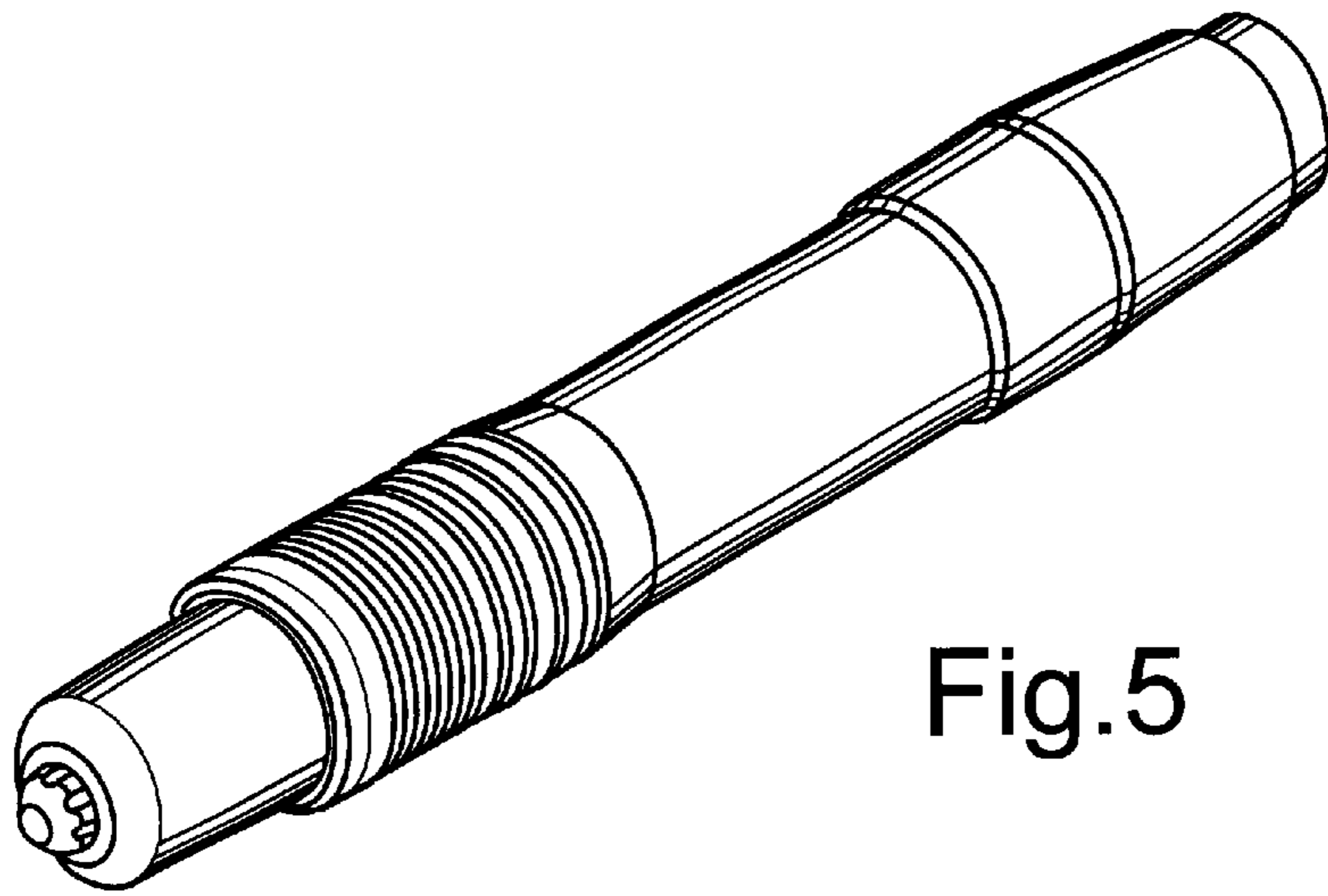


Fig.5

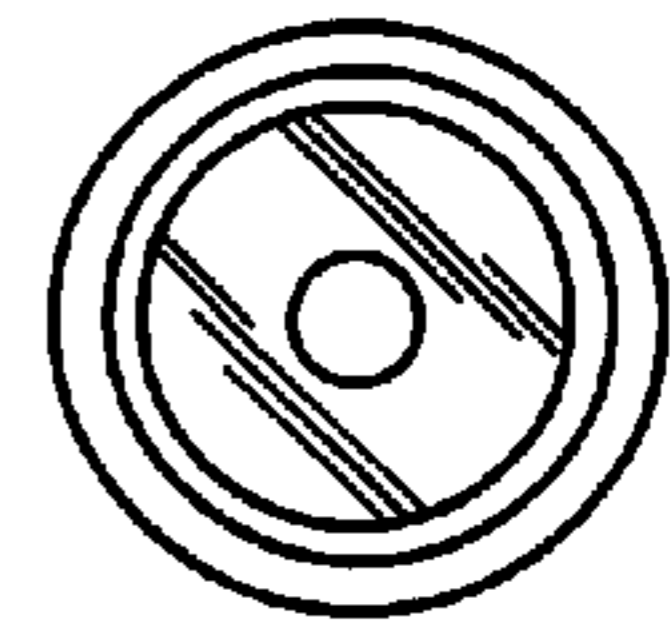


Fig.7

Fig.6

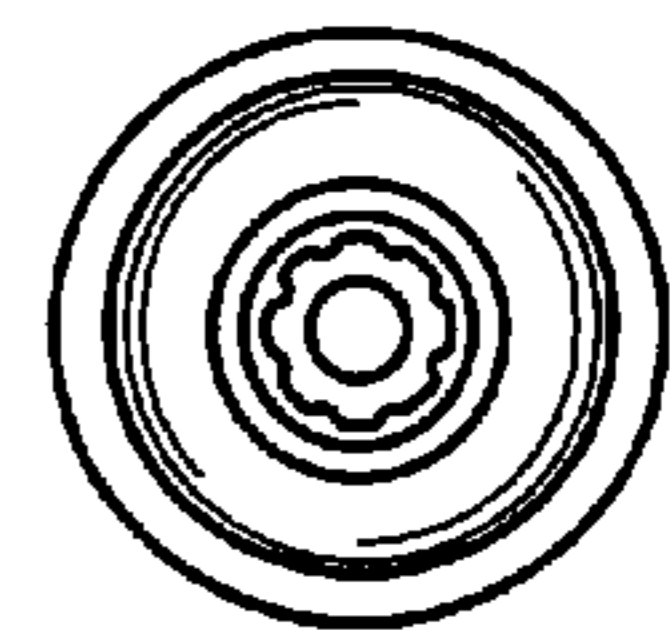
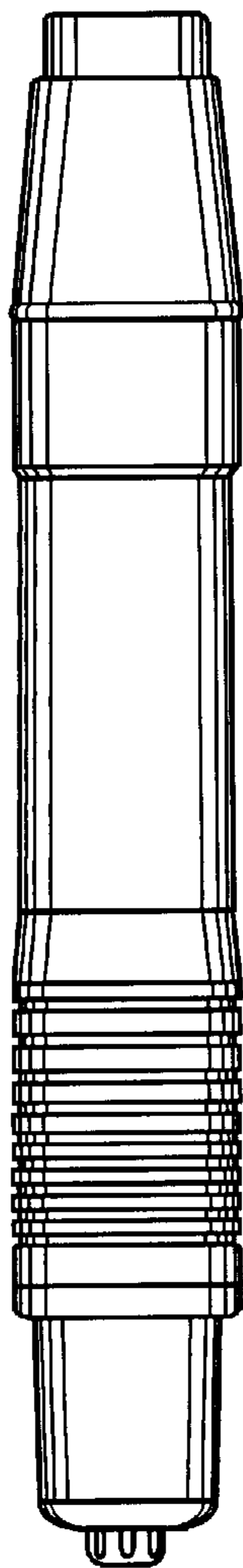


Fig.8