



US00D443302S

(12) **United States Design Patent**  
**Schmidt et al.**

(10) **Patent No.:** **US D443,302 S**

(45) **Date of Patent:** **\*\* Jun. 5, 2001**

(54) **PENS**

(75) **Inventors:** **Roland Schmidt; Klaus Lackner**, both of Heidelberg (DE)

(73) **Assignee:** **Klio-Eterna Schreibgerate GmbH & Co.KG**, Wolfach (DE)

(\*\*) **Term:** **14 Years**

(21) **Appl. No.:** **29/128,345**

(22) **Filed:** **Aug. 22, 2000**

(30) **Foreign Application Priority Data**

Jul. 25, 2000 (XH) ..... 164188001

(51) **LOC (7) Cl.** ..... **19-06**

(52) **U.S. Cl.** ..... **D19/46; D19/51; D19/57; D9/451**

(58) **Field of Search** ..... D19/35, 36, 41-51, D19/53-58, 81-85; 401/6, 7, 88, 209, 202, 243-247, 262, 52, 195

(56) **References Cited**

**U.S. PATENT DOCUMENTS**

D. 31,311 \* 8/1899 Schroeder ..... D9/451

D. 188,575 \* 8/1960 Zierhut ..... D19/51  
D. 298,147 \* 10/1988 Tesla ..... D21/443  
D. 314,590 \* 2/1991 Molina ..... D19/42  
D. 331,778 \* 12/1992 Christen ..... D19/46  
2,459,993 \* 1/1949 Crain ..... 401/6  
3,297,003 \* 1/1967 Benson ..... 401/195 X

\* cited by examiner

*Primary Examiner*—Martie K. Holtje

(74) *Attorney, Agent, or Firm*—Volpe & Koenig, P.C.

(57) **CLAIM**

The ornamental design for pens, as shown and described.

**DESCRIPTION**

FIG. 1 is a perspective view of a pen in accordance with our new design;

FIG. 2 is a left side elevational view thereof;

FIG. 3 is a top plan view thereof;

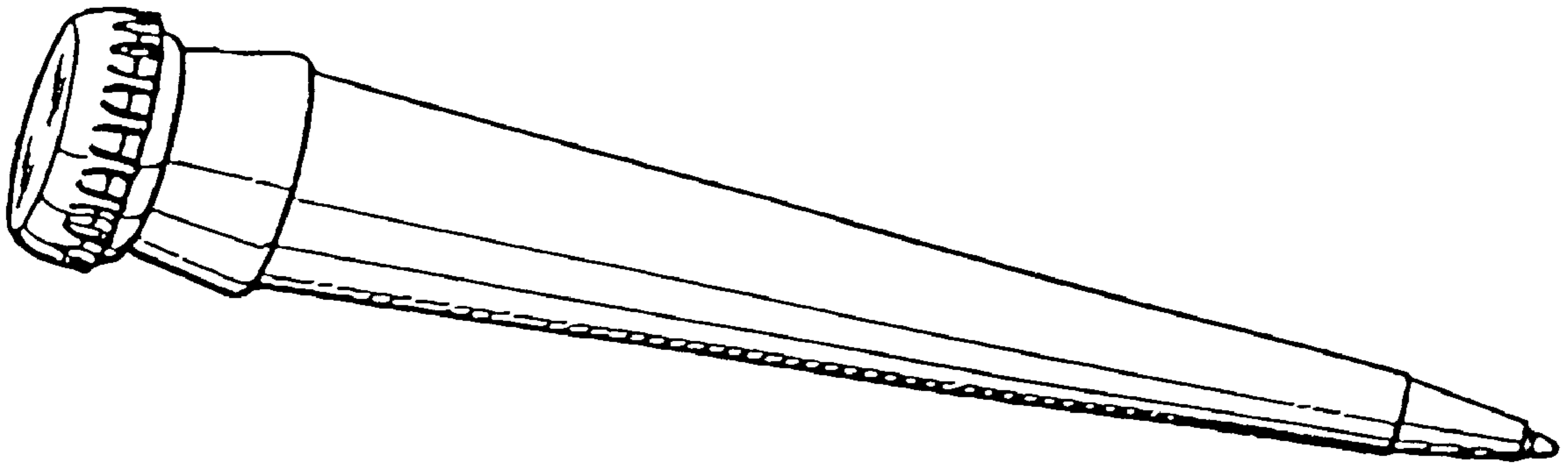
FIG. 4 is a front elevational view thereof;

FIG. 5 is a bottom plan view thereof;

FIG. 6 is a right side elevational view thereof; and,

FIG. 7 is a rear elevational view thereof.

**1 Claim, 1 Drawing Sheet**



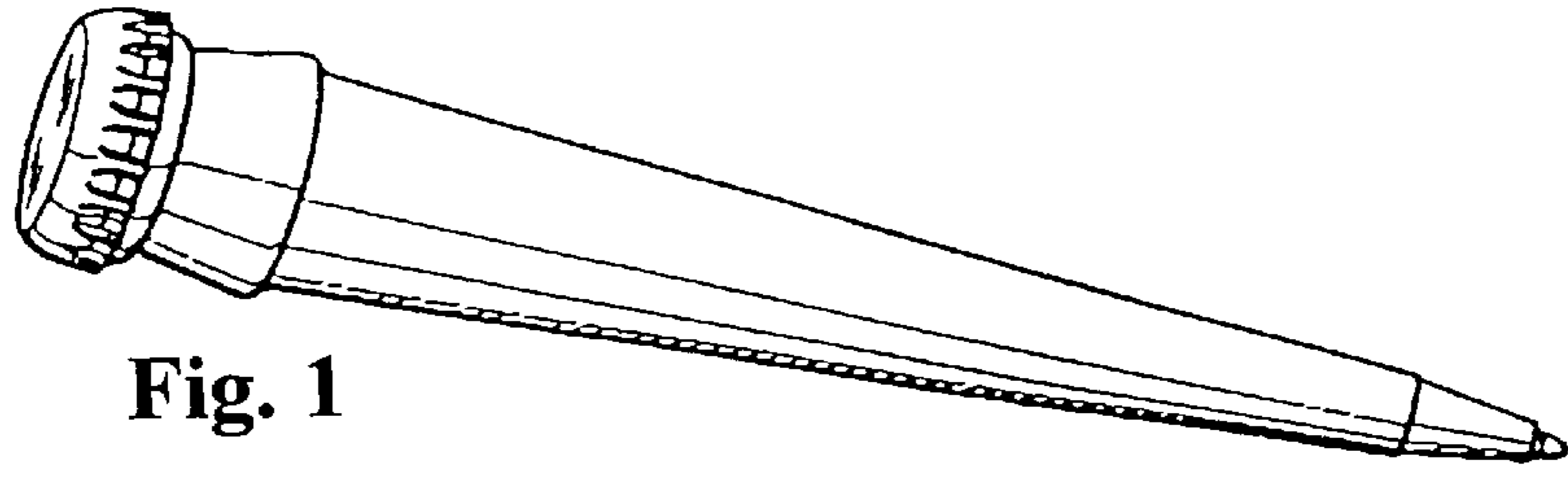


Fig. 1

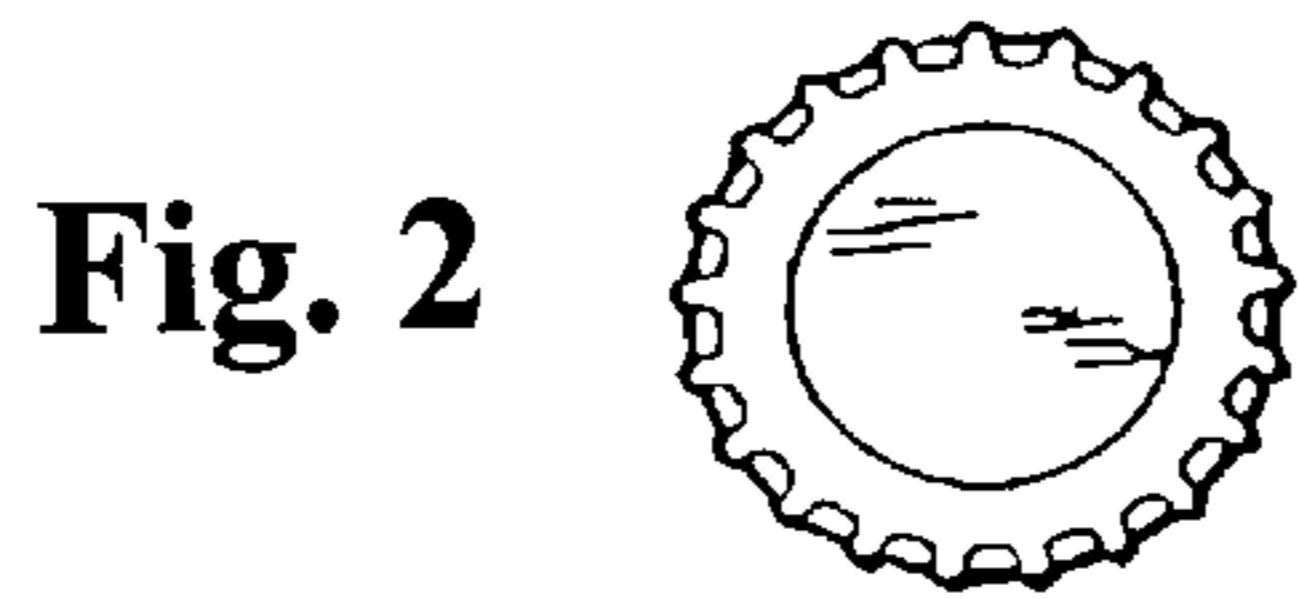


Fig. 2

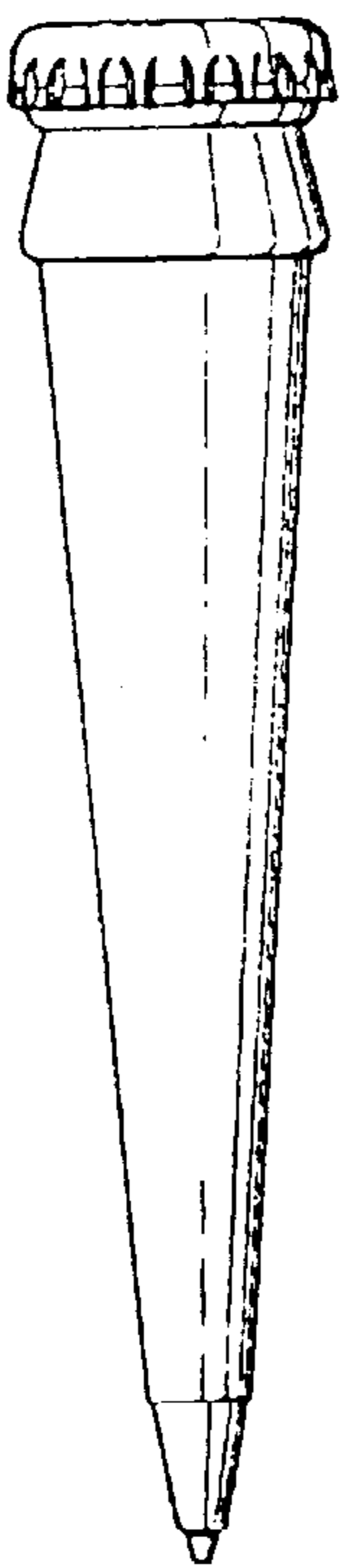


Fig. 3

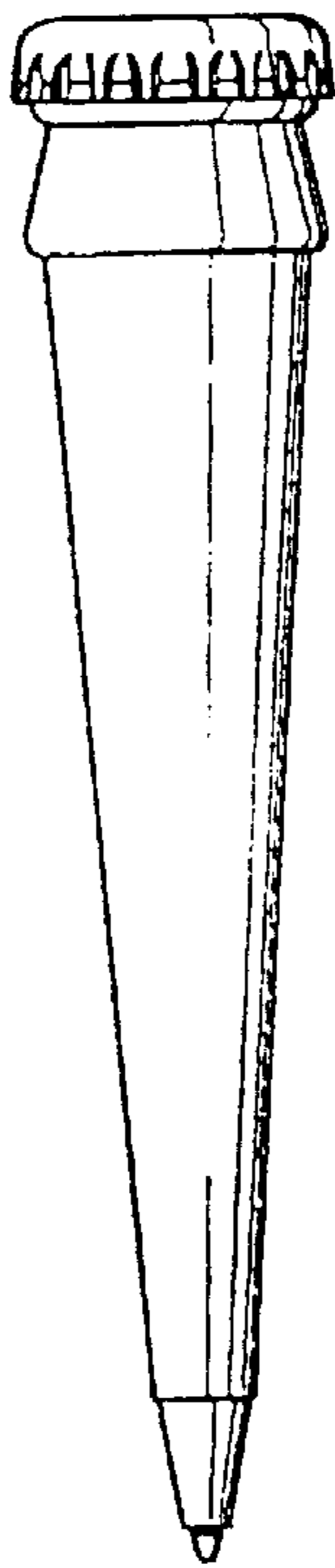


Fig. 4

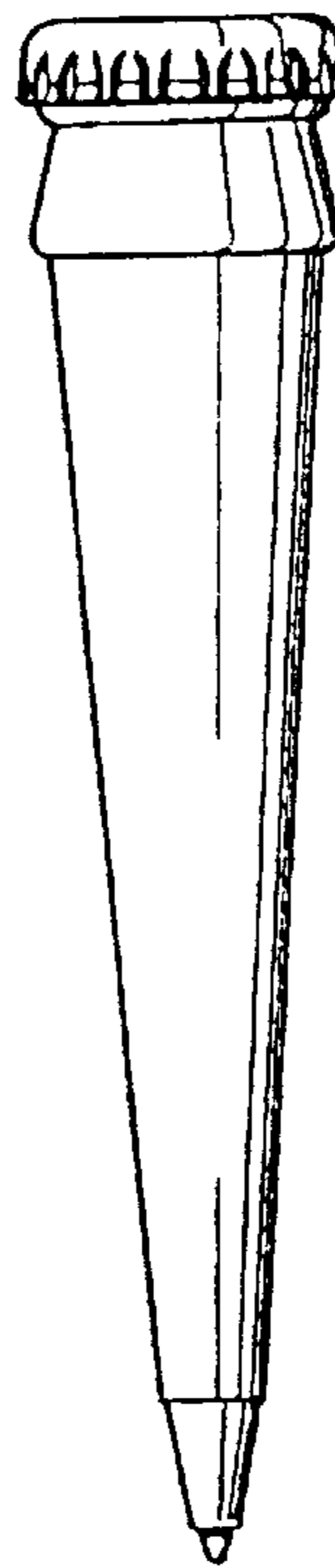


Fig. 5

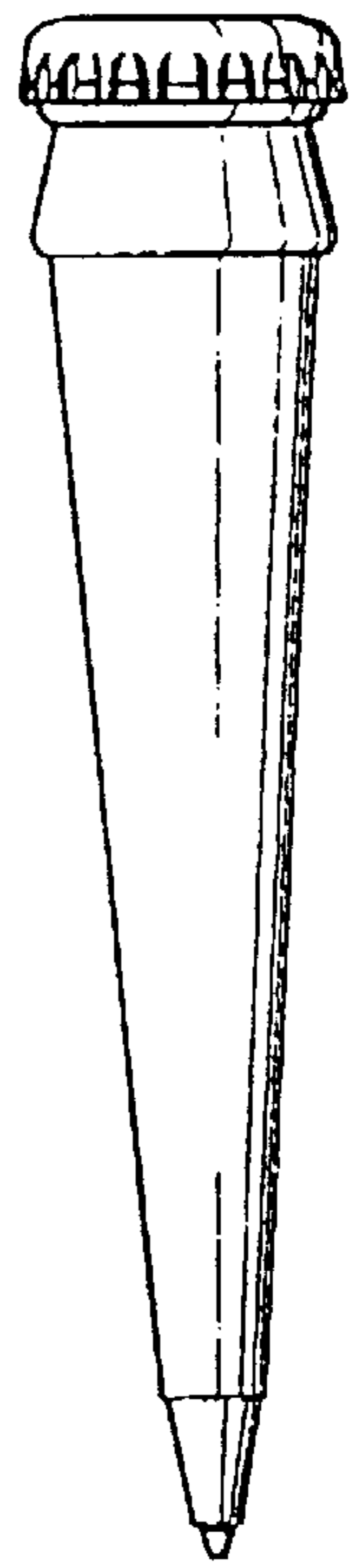


Fig. 6

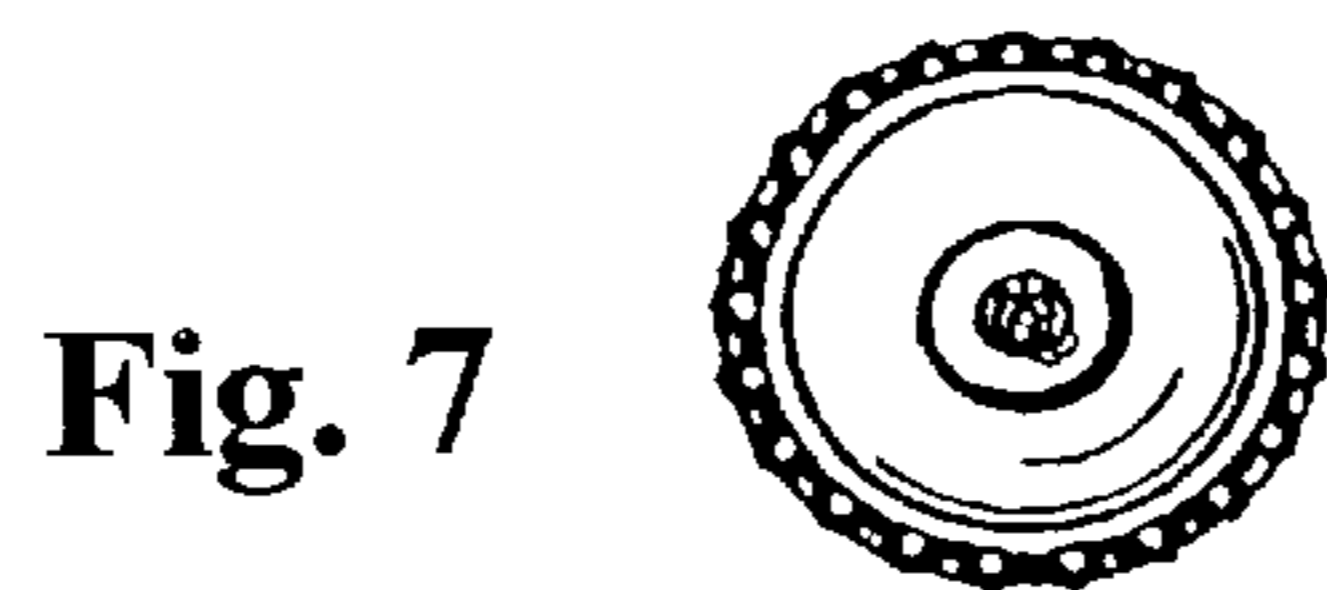


Fig. 7