



US00D443298S

(12) **United States Design Patent**
Webb et al.

(10) **Patent No.: US D443,298 S**
(45) **Date of Patent: ** Jun. 5, 2001**

(54) **CARD WITH AN ORNAMENTAL
RECTANGLE, MACHINE READABLE
STRIPE AND IC CHIP**

(75) Inventors: **Lisa Webb**, Darien, CT (US); **William
J. Faenza, Jr.**, Manassas, VA (US);
Ellen Lasch, New York; **Judy Vigiletti**,
Croton, both of NY (US)

(73) Assignee: **American Express Travel Related
Services Company, Inc.**, New York,
NY (US)

(**) Term: **14 Years**

(21) Appl. No.: **29/110,191**

(22) Filed: **Sep. 1, 1999**

(51) **LOC (7) Cl.** **19-08**

(52) **U.S. Cl.** **D19/10; D19/9; D14/437**

(58) **Field of Search** **D14/435, 436,
D14/437, 438, 479; D19/9, 10; 235/380-382.5,
441-443, 449, 454, 457, 469, 487-494;
283/72, 74, 75, 77, 78, 82-93, 107-114,
904**

(56) **References Cited**

U.S. PATENT DOCUMENTS

- D. 61,466 9/1922 Foltz .
- D. 270,546 9/1983 Malmberg .
- D. 280,214 8/1985 Opel .
- D. 290,136 * 6/1987 Ball et al. D19/9
- D. 310,386 9/1990 Michels et al. .
- D. 358,419 * 5/1995 Runyan D19/10
- D. 384,971 10/1997 Kawan .
- D. 387,746 * 12/1997 Ishihara D14/114
- D. 406,861 * 3/1999 Leedy, Jr. D19/10
- D. 408,054 4/1999 Leedy, Jr. .
- D. 427,577 * 7/2000 Haas et al. D14/117
- 3,838,252 9/1974 Hynes et al. .
- 3,894,756 7/1975 Ward .
- 4,058,839 11/1977 Darjany .
- 4,223,918 * 9/1980 Smoczynski 283/83

- 4,547,002 10/1985 Colgate, Jr. .
- 4,563,024 1/1986 Blyth .
- 4,593,936 6/1986 Opel .
- 4,597,814 7/1986 Colgate, Jr. .
- 4,641,017 2/1987 Lopata .
- 4,684,795 8/1987 Colgate, Jr. .
- 4,705,299 * 11/1987 Hedgcoth et al. 283/68
- 4,711,690 12/1987 Haghiri-Tehrani .

(List continued on next page.)

FOREIGN PATENT DOCUMENTS

- 0 403 134 A3 1/1992 (EP) .
- WO 89/03760 5/1989 (WO) .

OTHER PUBLICATIONS

GAP credit card (see attached) The card may be related to the art of the invention, but based upon the information on the card, it is unclear if the credit card is prior art. However, in an abundance of caution, the Applicant desires to put the credit card in the file wrapper.

North American Mortgage Company Card (see attached) The card may be related to the art of the invention, but based upon the information on the card, it is unclear if the credit card is prior art. However, in an abundance of caution, the Applicant desires to put the credit card in the file wrapper.

Primary Examiner—Martie K. Holtje

(74) *Attorney, Agent, or Firm*—Snell & Wilmer L.L.P.

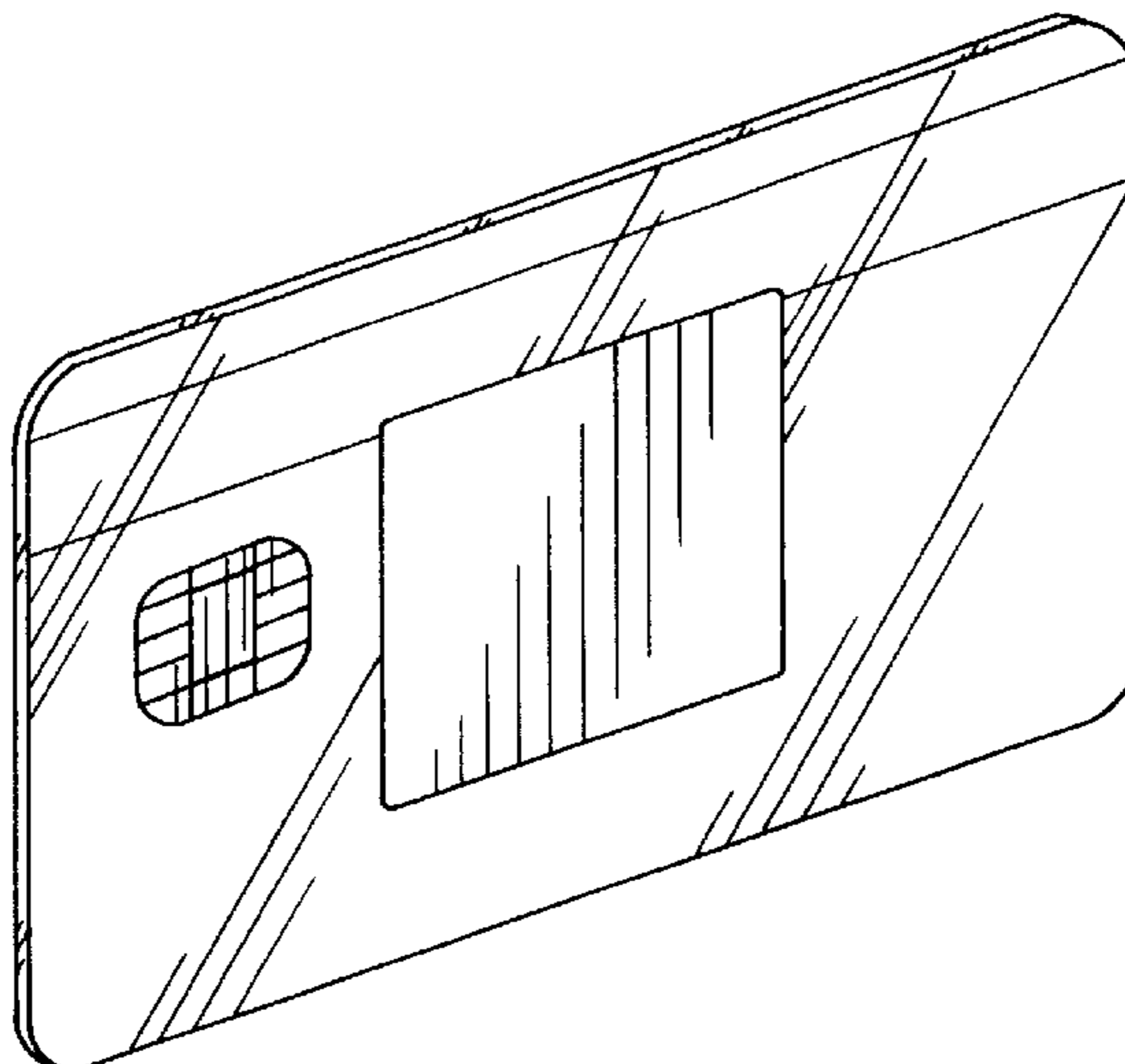
(57) **CLAIM**

The ornamental design for a card with an ornamental rectangle, machine readable stripe and IC chip, as shown.

DESCRIPTION

FIG. 1 is a perspective view of a card with an ornamental rectangle, machine readable stripe and integrated circuit (IC) chip, showing my new design;
FIG. 2 is a front view of the card of FIG. 1;
FIG. 3 is a rear view of the card of FIG. 1;
FIG. 4 is a front elevational view thereof; and,
FIG. 5 is a right side elevational view thereof.

1 Claim, 1 Drawing Sheet



US D443,298 S

Page 2

U.S. PATENT DOCUMENTS

4,779,898	10/1988	Berning et al. .	5,516,153	5/1996	Kaule .	
4,852,911	8/1989	Hoppe .	5,608,203	3/1997	Finkelstein et al. .	
4,889,366	12/1989	Fabbiani .	5,697,649	12/1997	Dames et al. .	
5,026,452 *	6/1991	Kodai 283/904 X	5,700,037	12/1997	Keller .	
5,106,125	4/1992	Antes .	5,720,500	2/1998	Okazaki et al. .	
5,142,383	8/1992	Mallik .	5,789,733	8/1998	Jachimowicz et al. .	
5,246,375 *	9/1993	Goede 283/904 X	5,808,758	9/1998	Solmsdorf .	
5,251,937	10/1993	Ojster .	5,857,709	1/1999	Chock .	
5,351,142	9/1994	Cueli .	5,900,954	5/1999	Katz et al. .	
5,355,411	10/1994	MacDonald .	6,027,028 *	2/2000	Pieterse et al. 235/492	
5,383,687	1/1995	Suess et al. .	6,076,731 *	6/2000	Terrell 235/454	

* cited by examiner

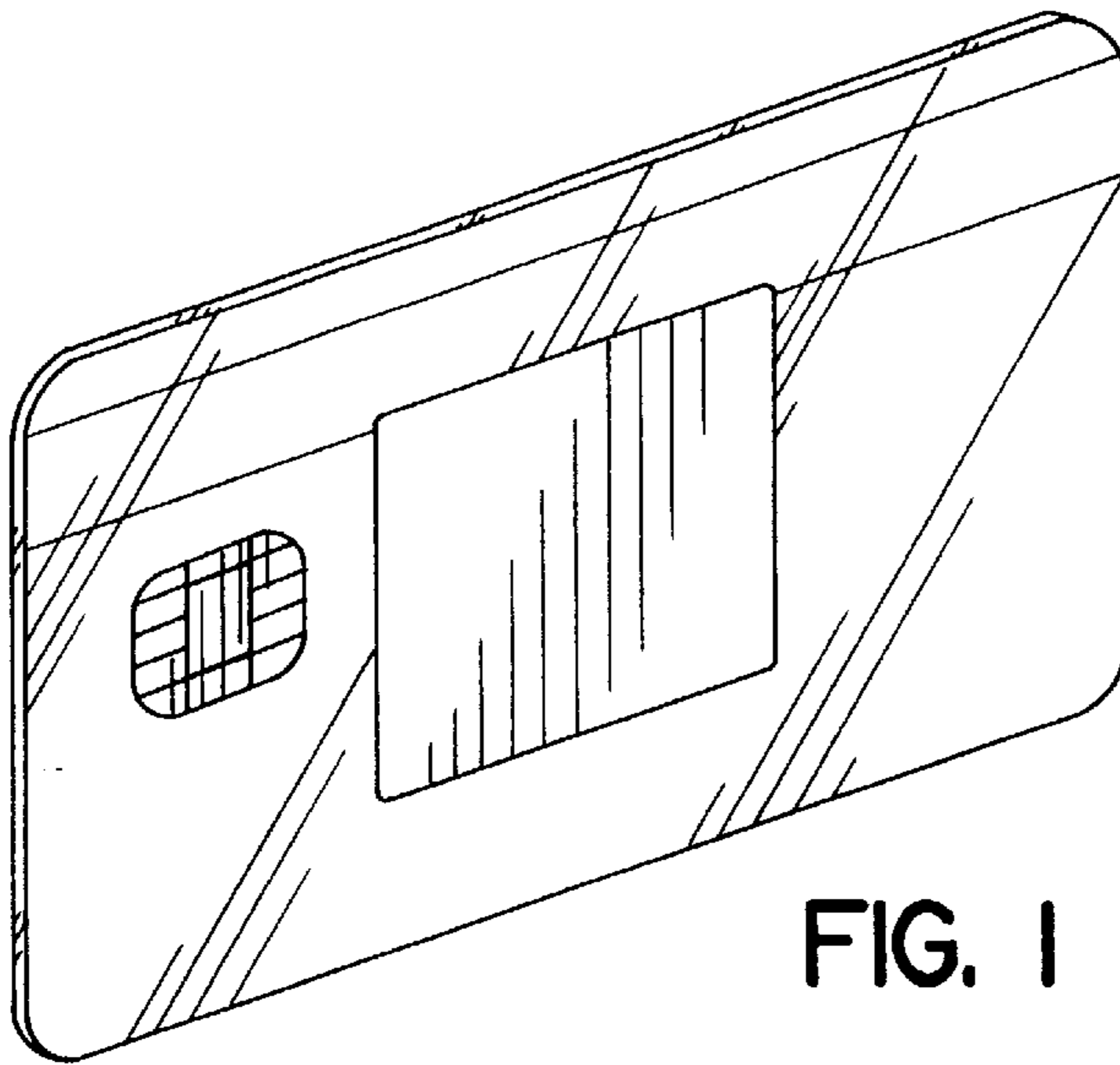


FIG. 1

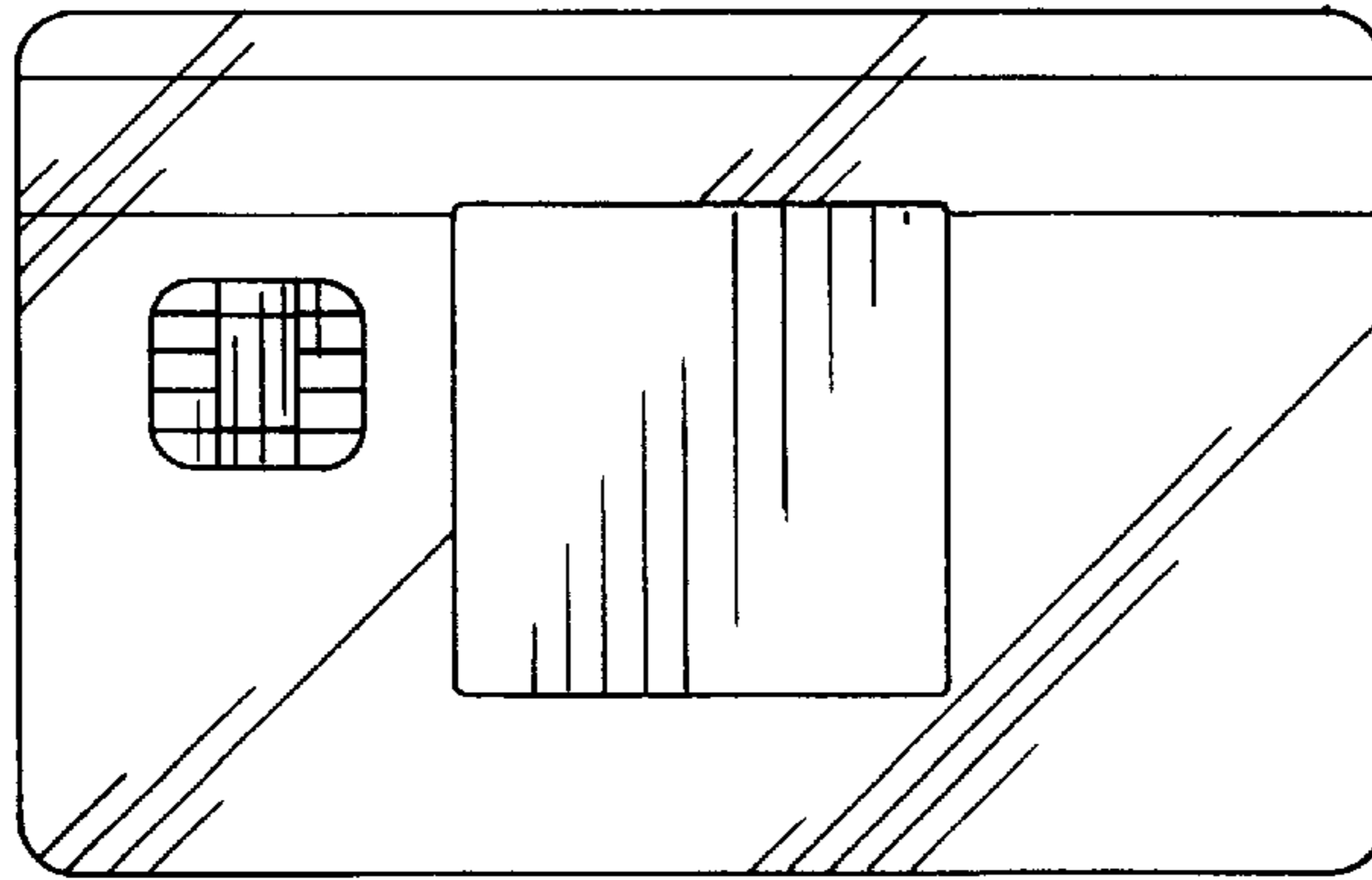


FIG. 2

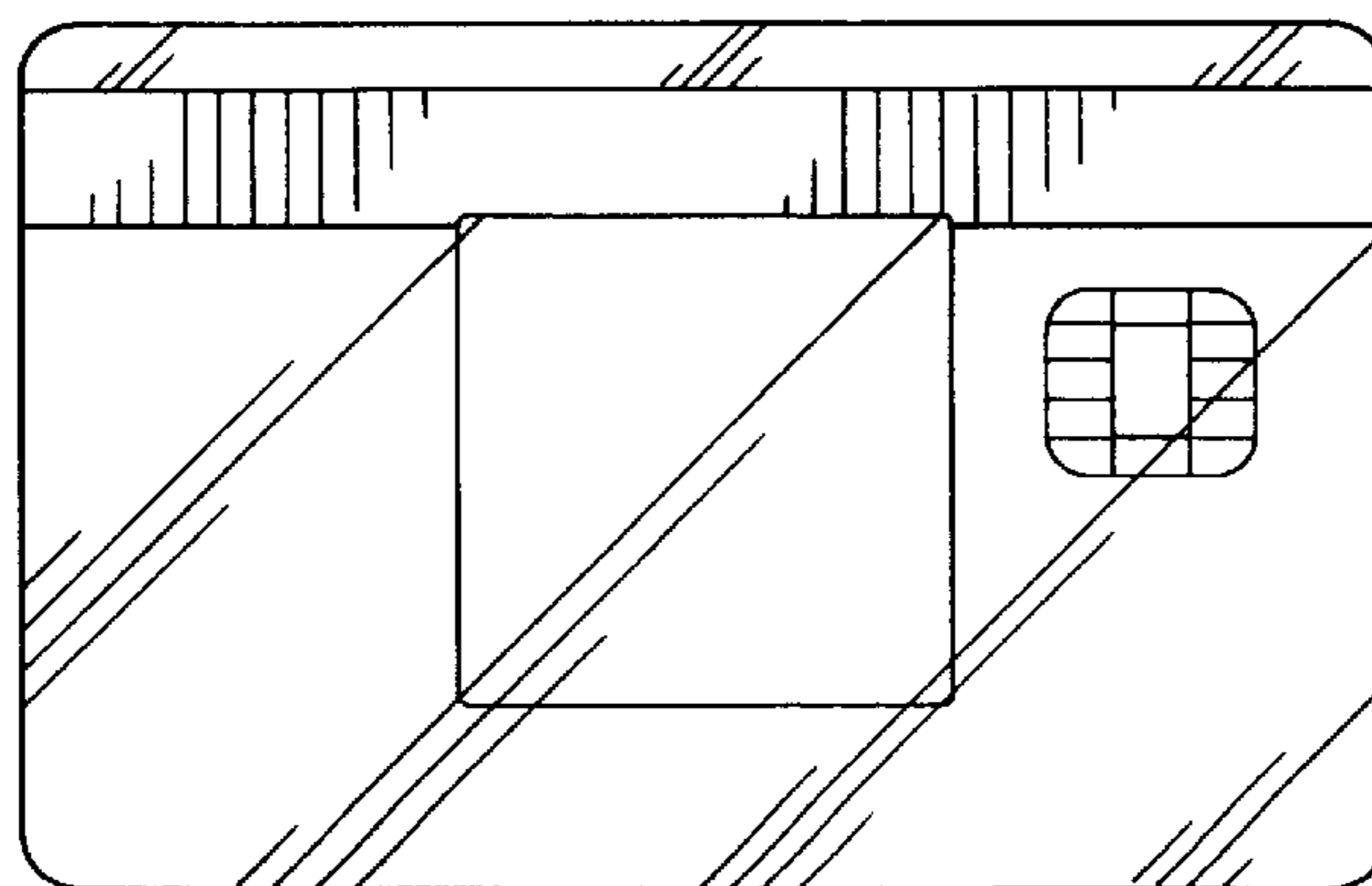


FIG. 3



FIG. 4



FIG. 5