



US00D443296S

(12) **United States Design Patent**
Dwyer et al.

(10) **Patent No.:** **US D443,296 S**

(45) **Date of Patent:** **** Jun. 5, 2001**

(54) **INKJET PRINTER**

(75) Inventors: **Daniel R. Dwyer**, Battle Ground; **Peter G. Hwang**, Vancouver; **Kevin D. O'Hara**, Washougal; **Donald R. Bloyer**, Brush Prairie; **Raymond C. Sherman**, Camas; **Jeffrey G. Bingham**, Vancouver; **Matthew B. Clark**, Vancouver; **Corlene M. Ankrum**, Vancouver, all of WA (US); **Eric S. Schuh**, Portland, OR (US)

(73) Assignee: **Hewlett-Packard Company**, Palo Alto, CA (US)

(**) Term: **14 Years**

(21) Appl. No.: **29/109,692**

(22) Filed: **Aug. 19, 1999**

(51) **LOC (7) Cl.** **18-02**

(52) **U.S. Cl.** **D18/55**

(58) **Field of Search** D18/50, 54-55,
D18/36-39; 400/613, 613.1-613.4, 691-694,
690.1-690.4; D14/462

(56) **References Cited**

U.S. PATENT DOCUMENTS

- D. 350,364 * 9/1994 Kawashima et al. D18/50
- D. 356,596 * 3/1995 Dubson et al. D18/55
- D. 370,026 5/1996 McGlashan .
- D. 373,378 * 9/1996 Brown et al. D18/55
- D. 373,380 * 9/1996 Dwyer et al. D18/55
- D. 382,894 * 8/1997 Berriman et al. D18/55
- D. 390,257 * 2/1998 Dwyer et al. D18/55
- D. 392,311 * 3/1998 Takano D18/50
- D. 402,689 12/1998 Brown et al. .

D. 406,273 * 3/1999 Dwyer et al. D18/55

D. 428,052 7/2000 Dwyer et al. .

D. 429,279 8/2000 Dwyer et al. .

D. 429,759 8/2000 Dwyer et al. .

OTHER PUBLICATIONS

Hewlett-Packard Company Design Patent Application filed Aug. 19, 1999, Ser. No. 29/109,691, entitled "Inkjet Printer With Fixed Sheet Feeder And Window Access Door".

Hewlett-Packard Company Design Patent Application filed Aug. 19, 1999, Ser. No. 29/109,693, entitled "Inkjet Printer With Photographic Media Supply Tray, Fixed Sheet Feeder, And Window Access Door".

* cited by examiner

Primary Examiner—Cathy Anne MacCormac

(74) *Attorney, Agent, or Firm*—Flory L. Martin

(57) **CLAIM**

The ornamental design for an inkjet printer, substantially as shown and described.

DESCRIPTION

FIG. 1 is a perspective view of an inkjet printer in accordance with the present invention, shown with the fold-up media supply tray in an operable position for printing;

FIG. 2 is a top plan view thereof;

FIG. 3 is a front elevational view thereof;

FIG. 4 is a bottom plan view thereof;

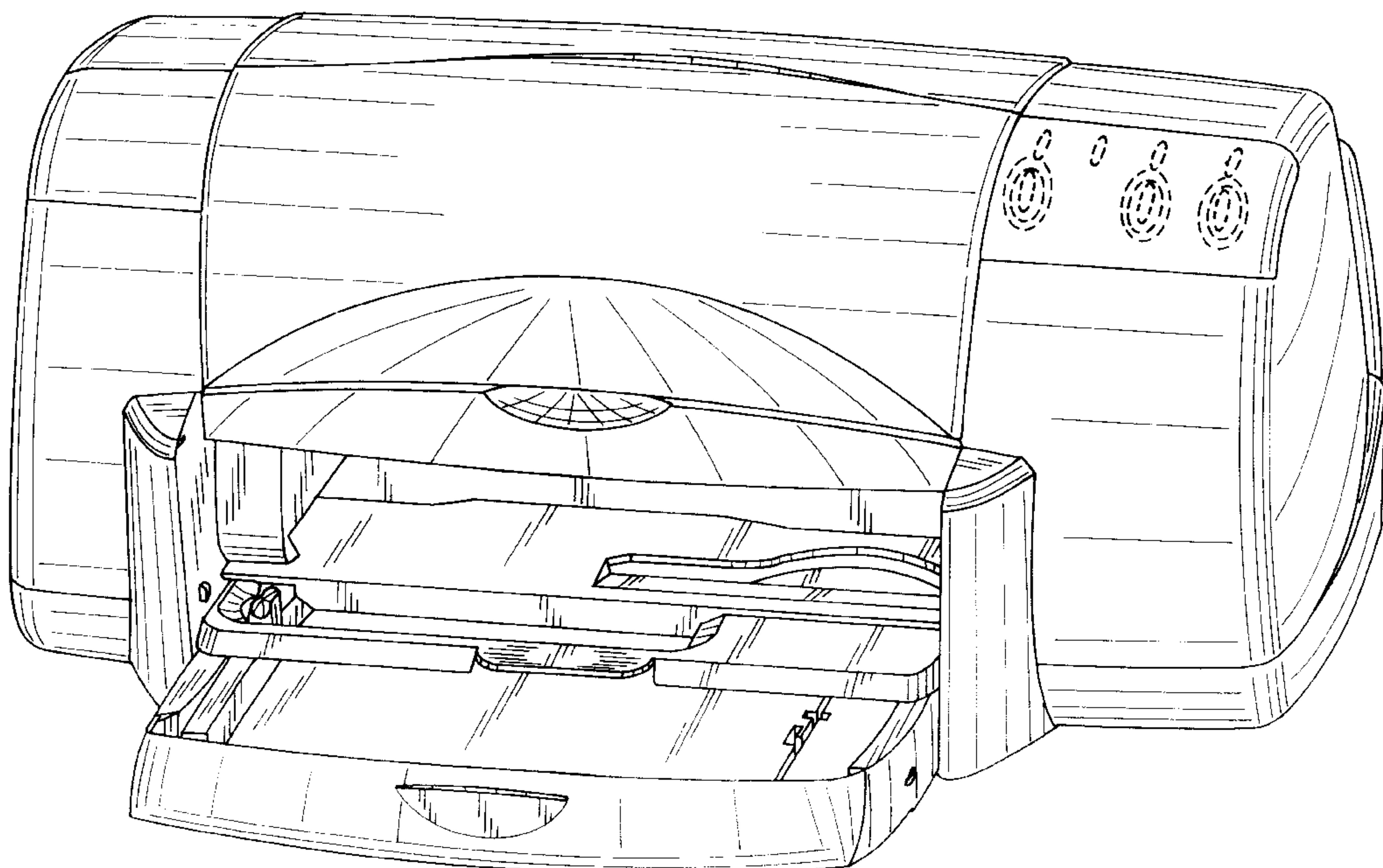
FIG. 5 is a rear elevational view thereof;

FIG. 6 is a left side elevational view thereof; and,

FIG. 7 is a right side elevational view thereof.

The broken lines in FIGS. 1-3, 5 and 7, are for illustrative purposes only and form no part of the claimed design.

1 Claim, 6 Drawing Sheets



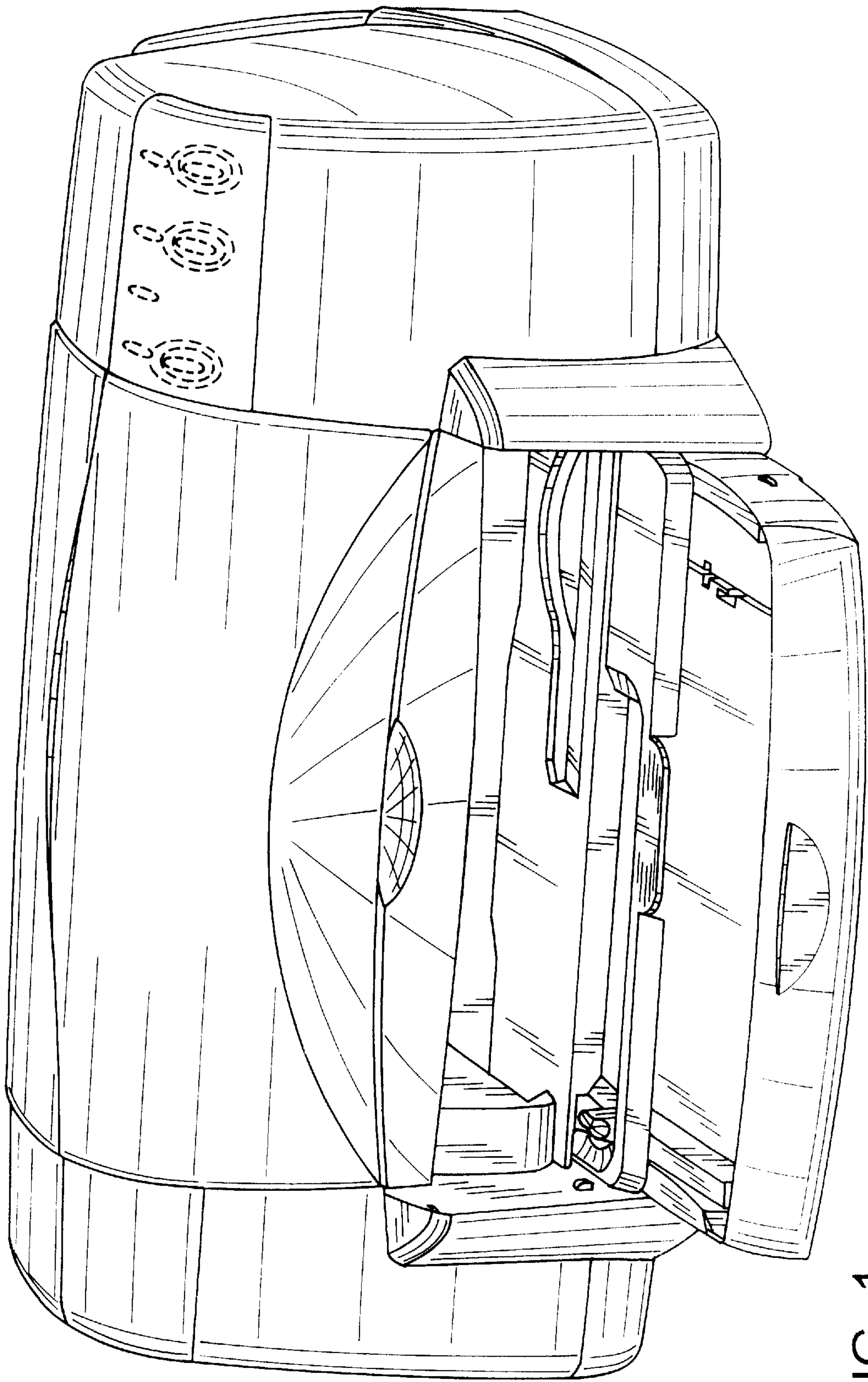


FIG. 1

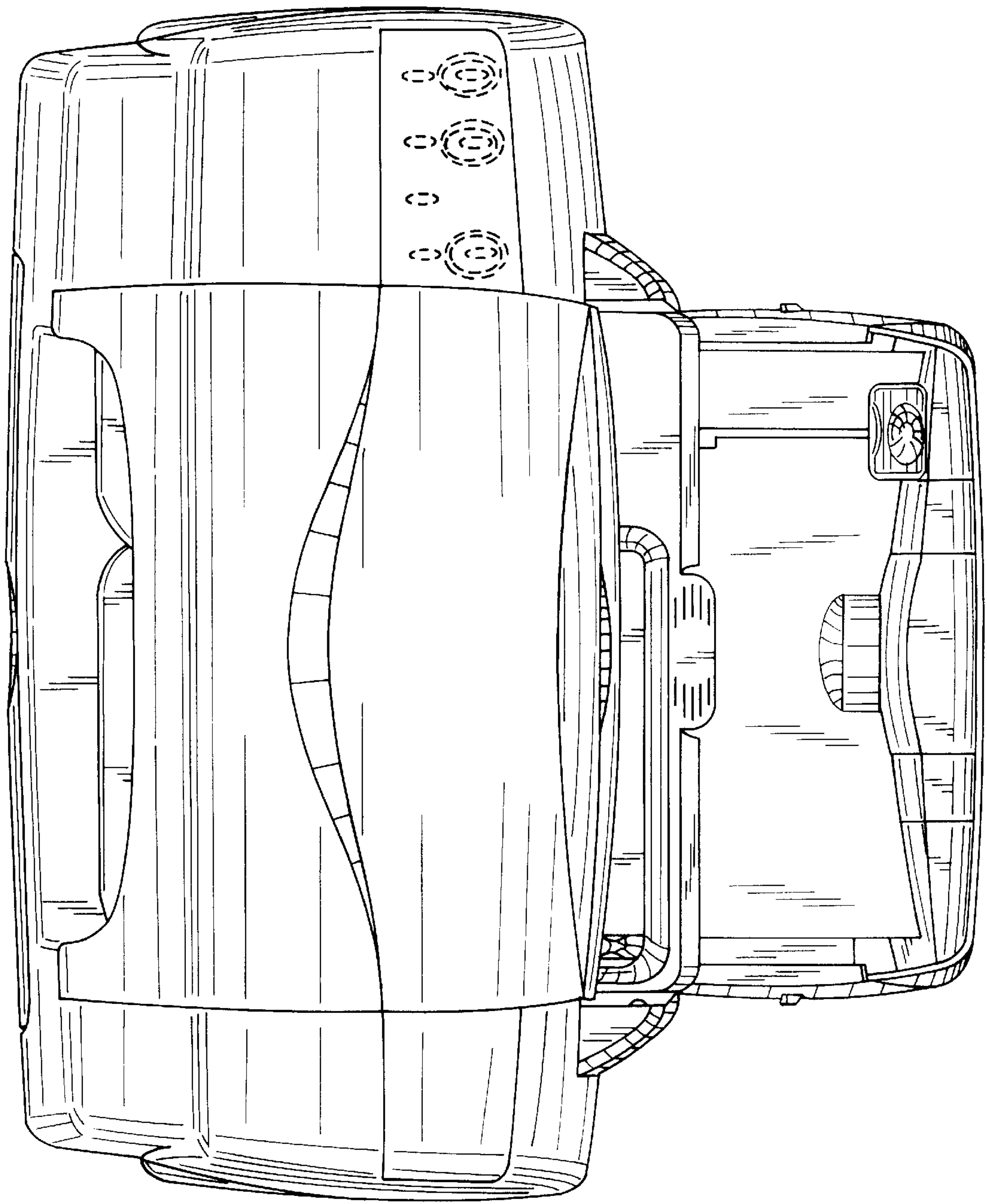


FIG. 2

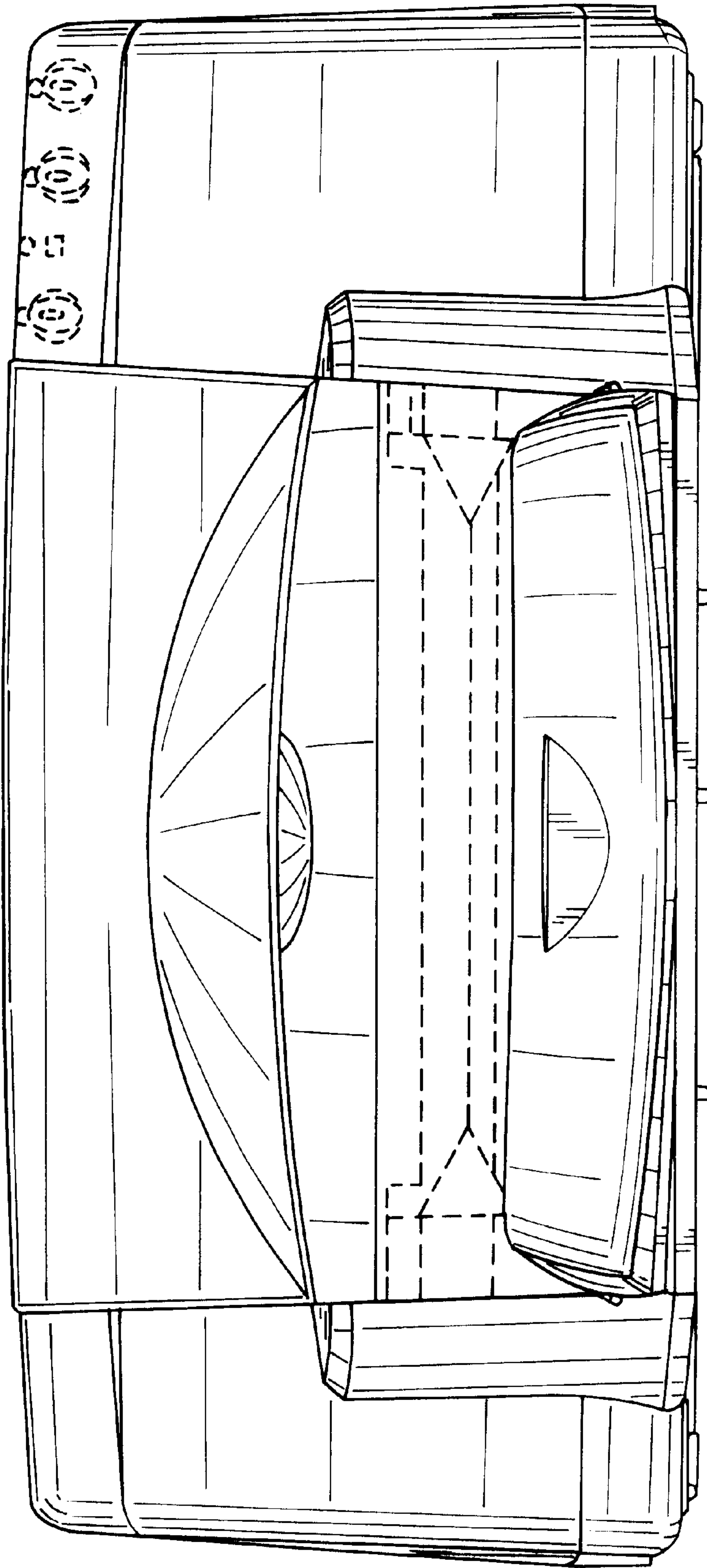


FIG. 3

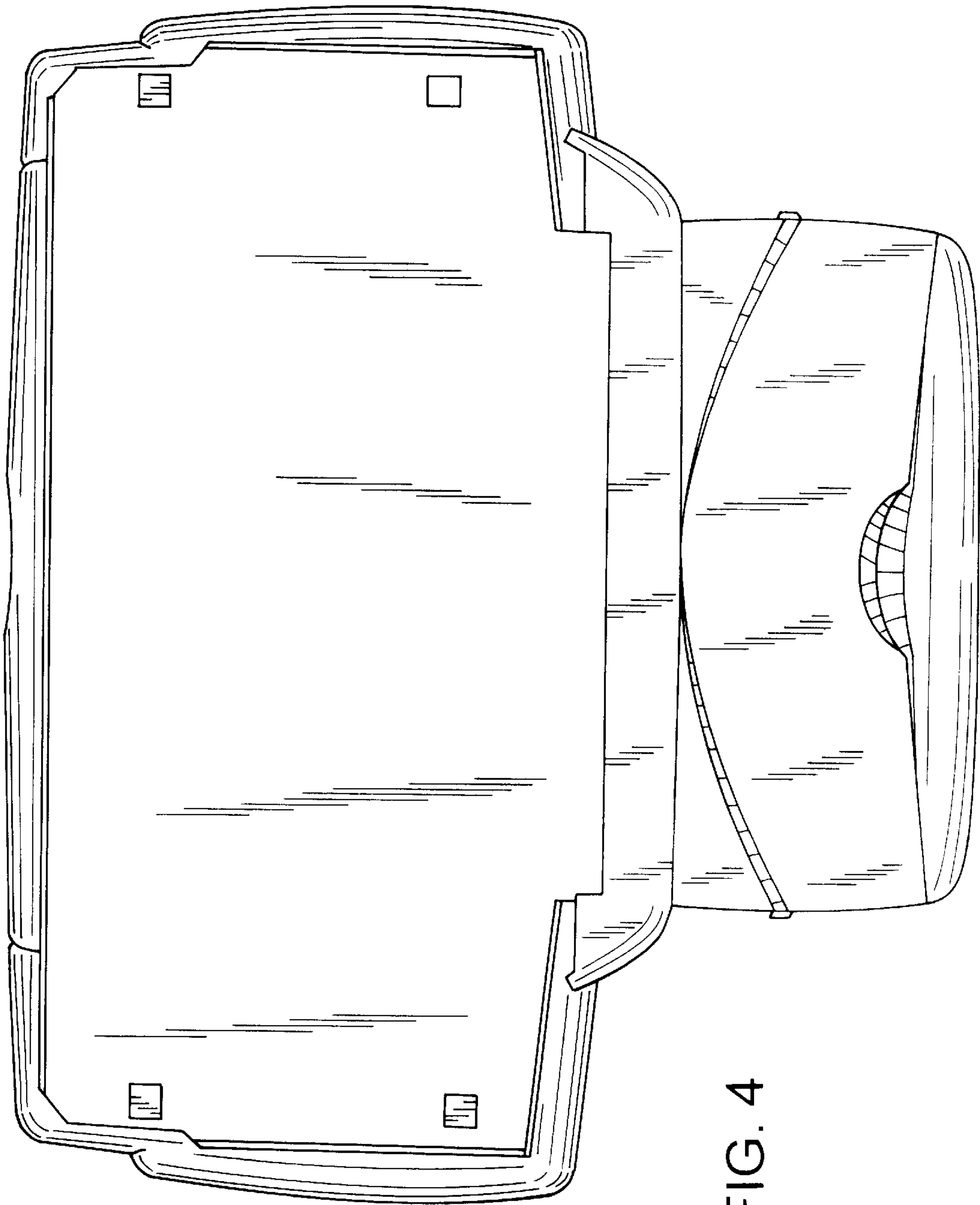


FIG. 4

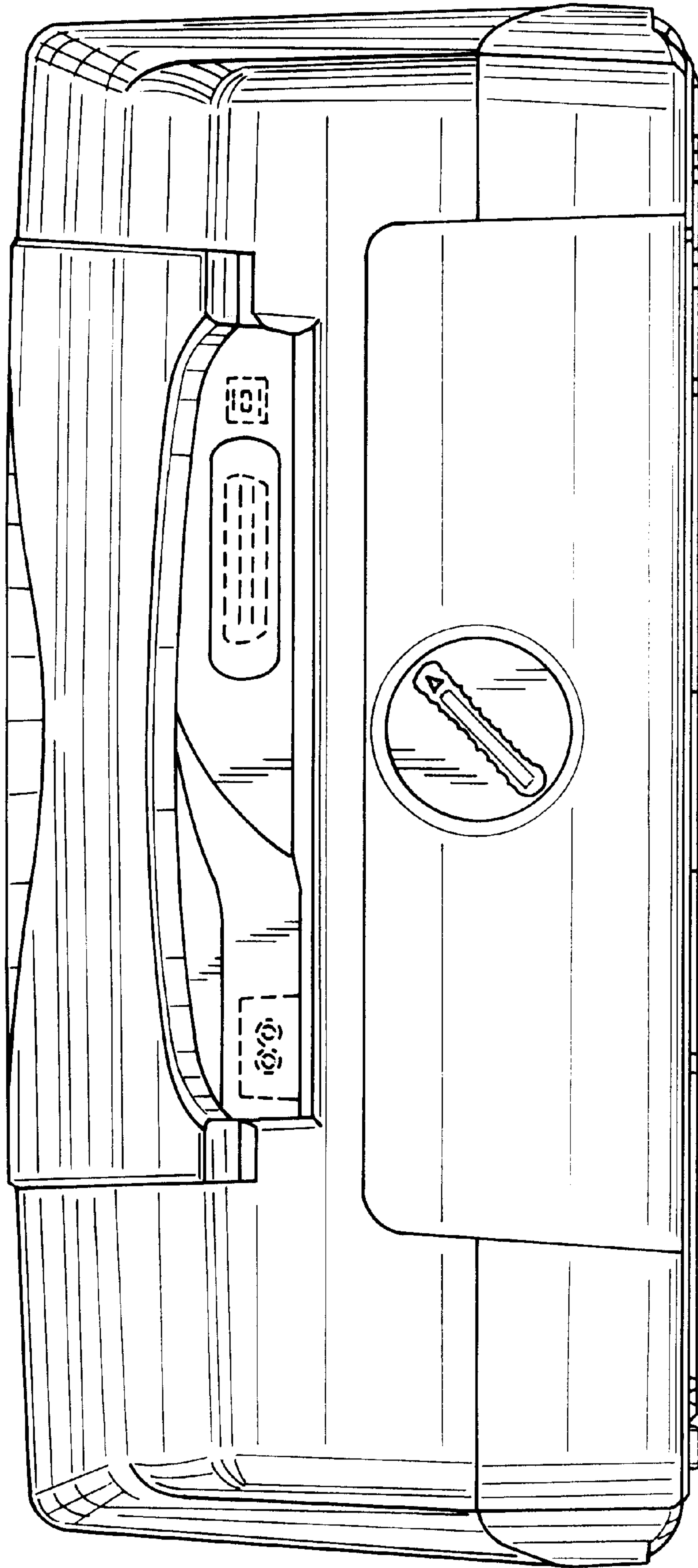


FIG. 5

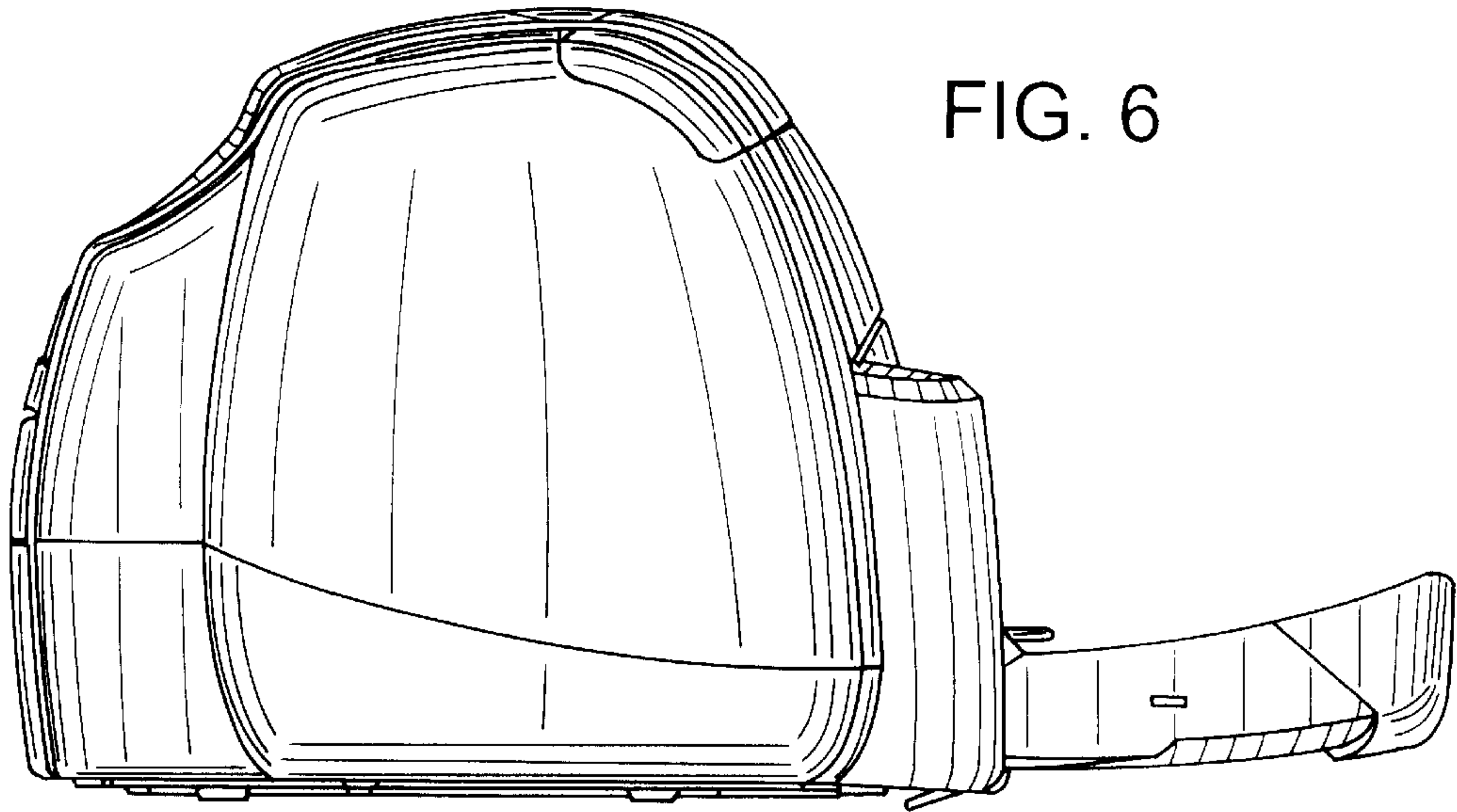


FIG. 6

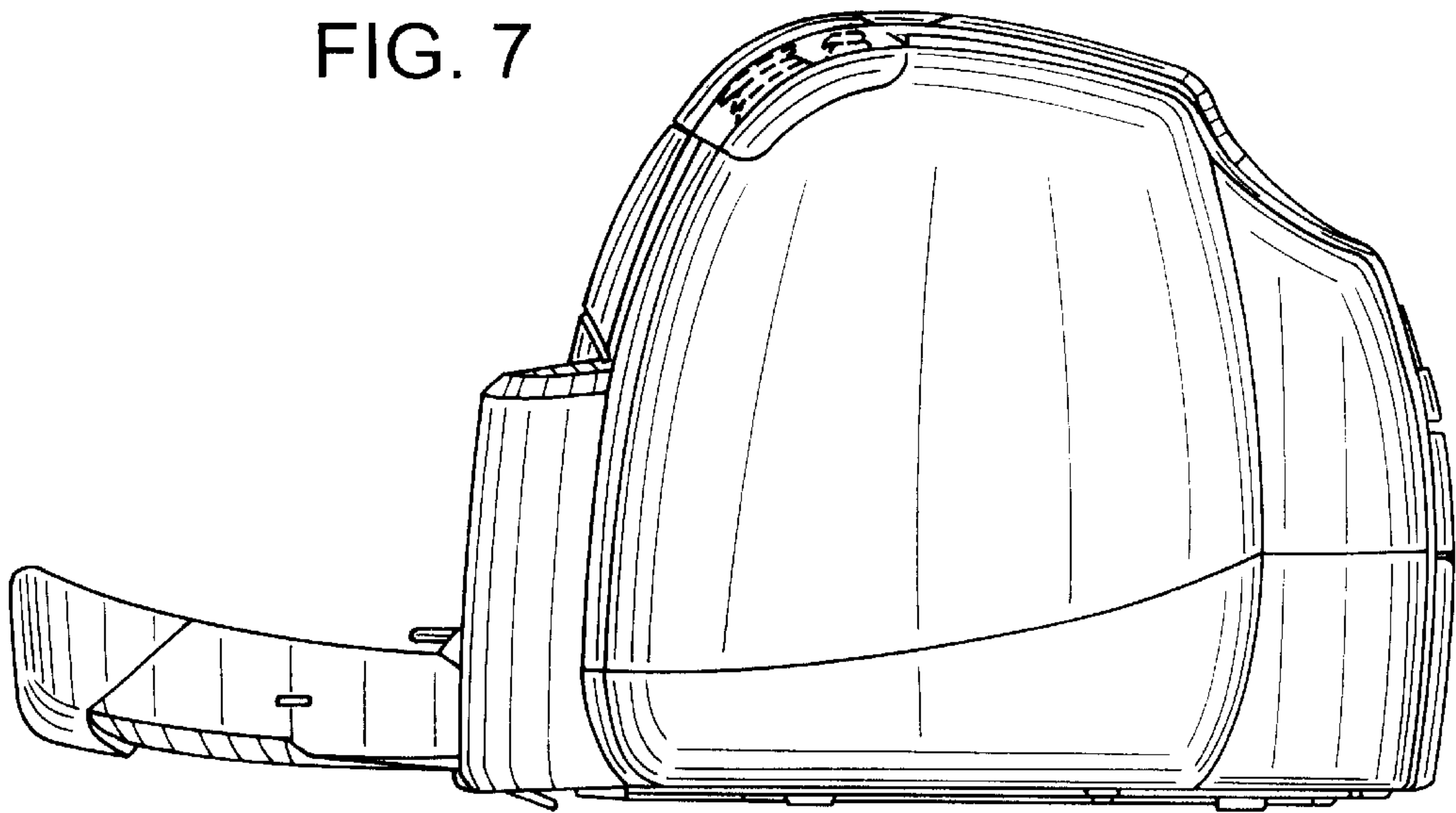


FIG. 7