



US00D443294S

(12) **United States Design Patent**  
**Munoz**

(10) **Patent No.:** **US D443,294 S**

(45) **Date of Patent:** **\*\* Jun. 5, 2001**

(54) **PAPER CUTTER**

(75) Inventor: **Raul Munoz**, Chicago, IL (US)

(73) Assignee: **General Binding Corporation**, Skokie, IL (US)

(\*\*) Term: **14 Years**

(21) Appl. No.: **29/129,103**

(22) Filed: **Sep. 7, 2000**

(51) **LOC (7) Cl.** ..... **18-34**

(52) **U.S. Cl.** ..... **D18/34**

(58) **Field of Search** ..... D18/34, 99; D15/127, D15/129, 141; 83/585, 607, 468, 485, 583, 614, 636, 663; D19/72

(56) **References Cited**

**U.S. PATENT DOCUMENTS**

- D. 409,651 \* 5/1999 Rellinger ..... D18/34
- D. 415,519 \* 10/1999 Mori ..... D18/34
- D. 425,548 \* 5/2000 Rellinger ..... D18/34

\* cited by examiner

*Primary Examiner*—Melody N. Brown

(74) *Attorney, Agent, or Firm*—Martin Faier; Faier & Faier P.C.

(57) **CLAIM**

The ornamental design for a paper cutter, as shown and described.

**DESCRIPTION**

FIG. 1 is a perspective view of a paper cutter embodying the invention.

FIG. 2 is a top view of a paper cutter embodying the invention.

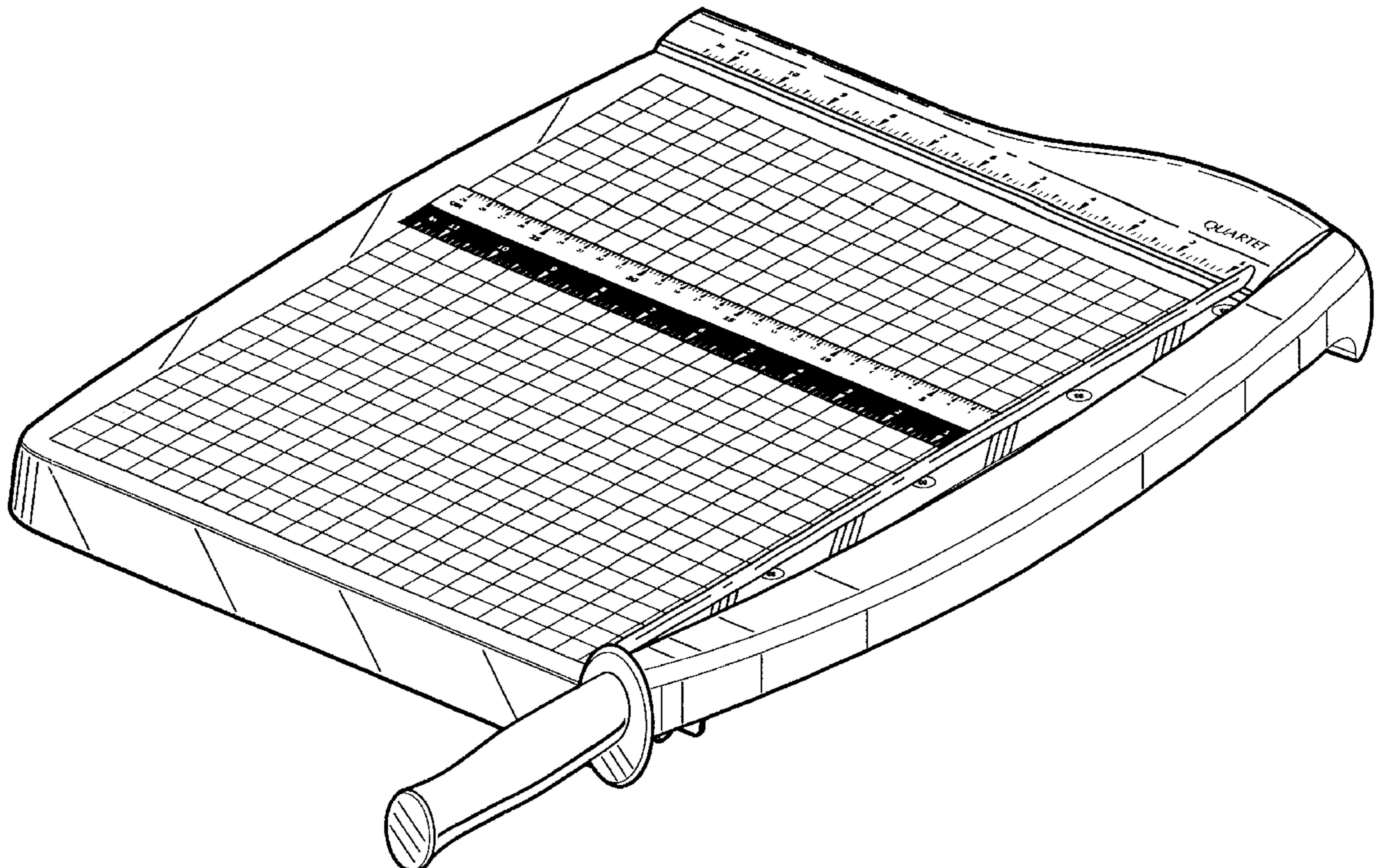
FIG. 3 is a left side elevational view of the paper cutter embodying the invention.

FIG. 4 is a right side elevational view of the paper cutter embodying the invention.

FIG. 5 is a front side elevational view of a paper cutter embodying the invention; and,

FIG. 6 is a rear side elevational view of a paper cutter embodying the invention.

**1 Claim, 2 Drawing Sheets**



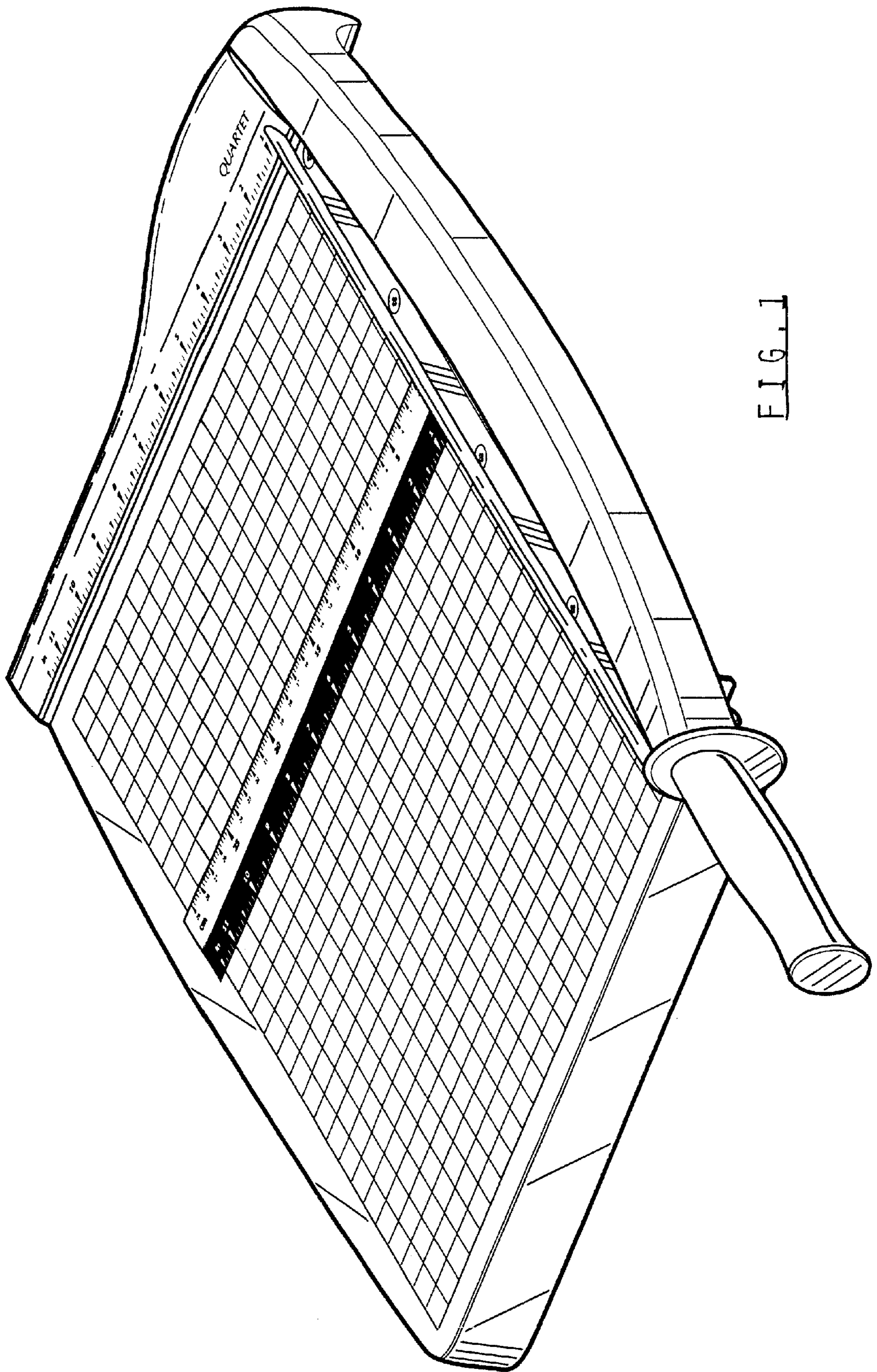


FIG. 1

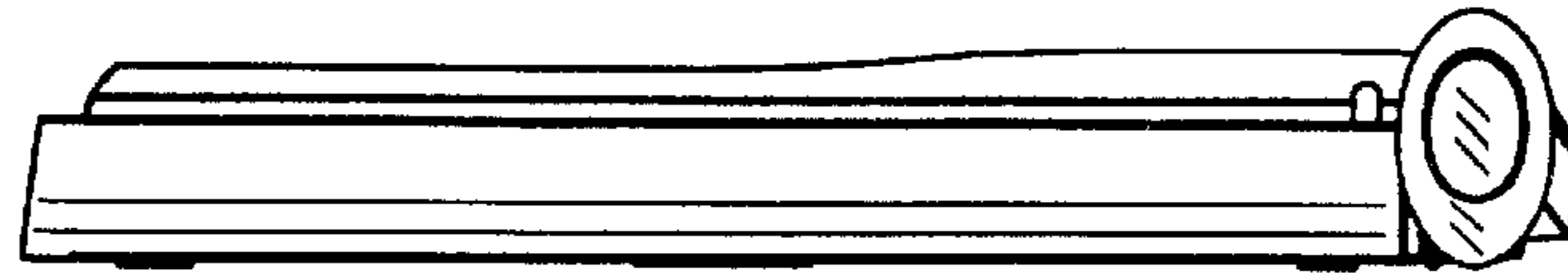


FIG. 5

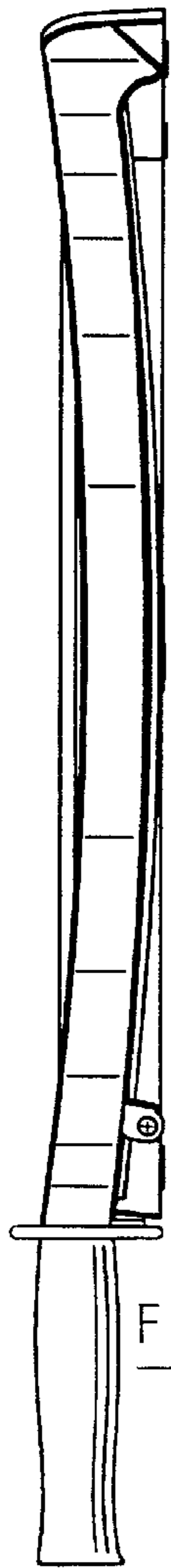


FIG. 3

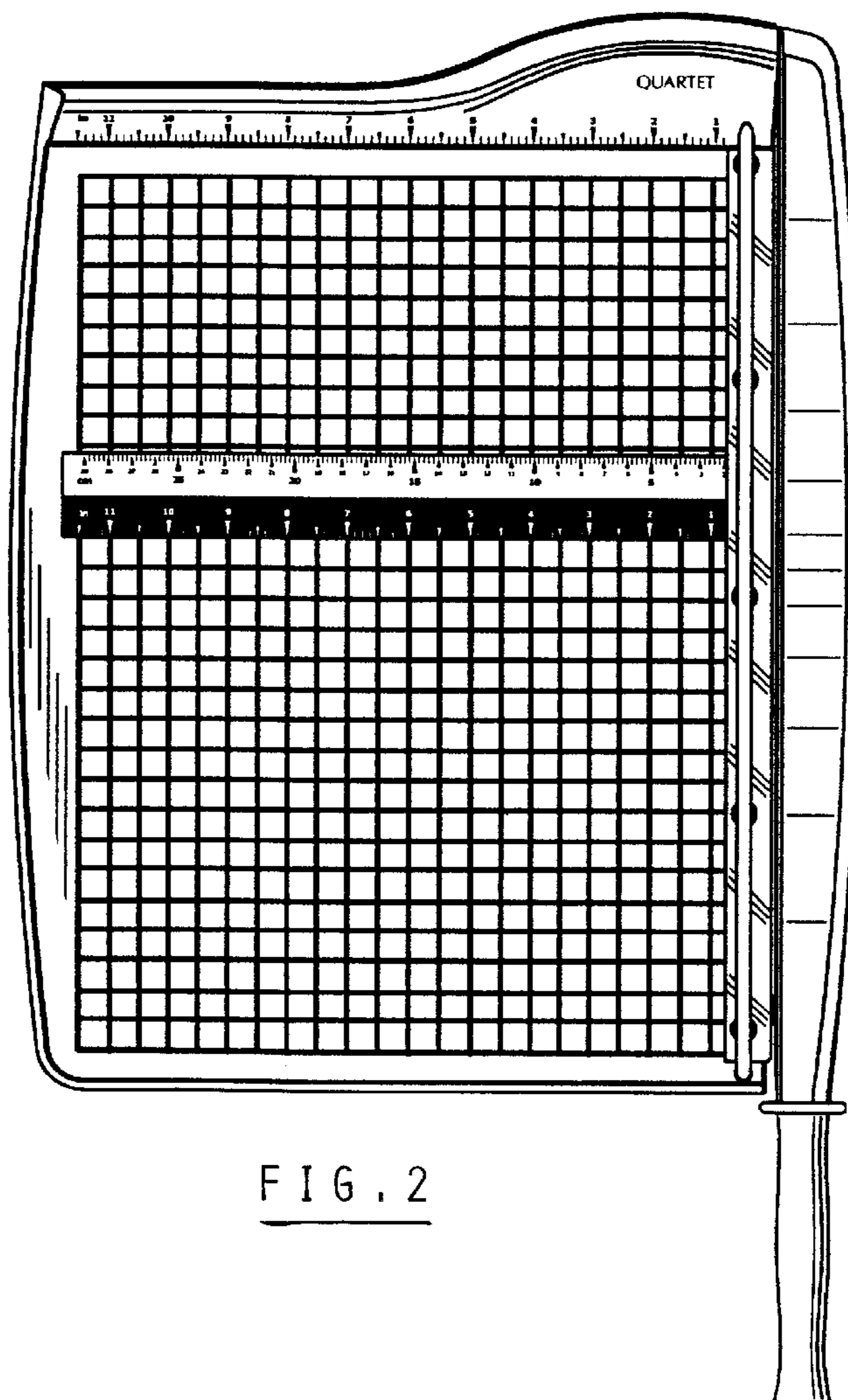


FIG. 2

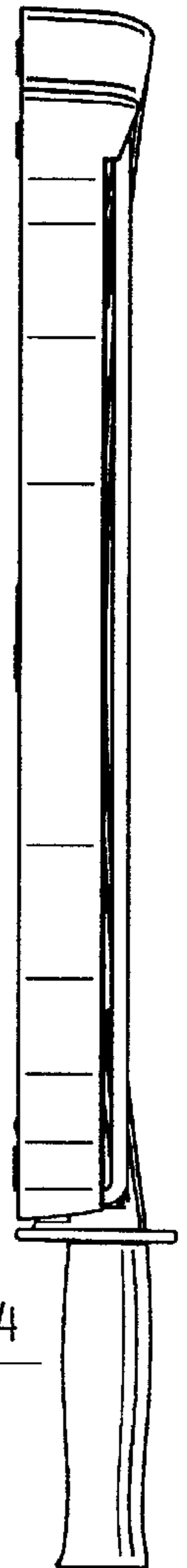


FIG. 4

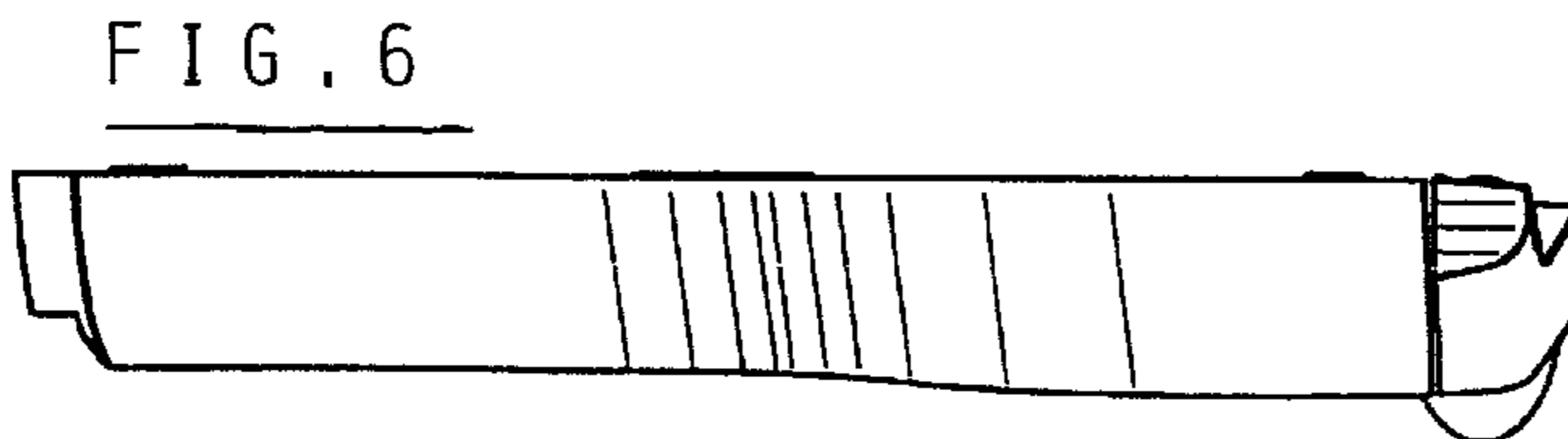


FIG. 6