



US00D443292S

(12) **United States Design Patent**
Nottingham et al.

(10) **Patent No.:** **US D443,292 S**

(45) **Date of Patent:** **** Jun. 5, 2001**

(54) **COIN SORTER FOR VEHICLES**

5,501,632 * 3/1996 Adams et al. 453/3
5,827,117 10/1998 Naas 453/9

(75) Inventors: **John R. Nottingham**, Hunting Valley;
John W. Spirk, Gates Mills; **Jeffrey S. Plantz**, Medina; **William J. Knox, Jr.**, Painesville, all of OH (US)

OTHER PUBLICATIONS

“Mag-Nif Makes it in the U.S.A.!” Brochure, 1998.

* cited by examiner

(73) Assignee: **Mag-Nif Incorporated**, Mentor, OH (US)

Primary Examiner—Caron D. Veynar

(**) Term: **14 Years**

(74) *Attorney, Agent, or Firm*—Fay, Sharpe, Fagan, Minnich & McKee, LLP

(21) Appl. No.: **29/118,630**

(57) **CLAIM**

(22) Filed: **Feb. 11, 2000**

The ornamental design for a coin sorter for vehicles, as shown and described.

(51) **LOC (7) Cl.** **18-01**

DESCRIPTION

(52) **U.S. Cl.** **D18/3.1**

FIG. 1 is a perspective view of a coin sorter for vehicles showing our new design;

(58) **Field of Search** D18/3.1–3.3; 453/3, 453/9; D99/28, 34, 35

FIG. 2 is a rear elevational view thereof;

(56) **References Cited**

U.S. PATENT DOCUMENTS

D. 296,029	5/1988	Knox	D99/35
D. 347,929	6/1994	Perkitny	D99/34
D. 359,152	* 6/1995	Adams et al.	D18/3.1
D. 388,584	* 12/1997	Sugawara	D99/35
D. 393,530	4/1998	Perkitny	D99/34
4,495,959	* 1/1985	Farber	133/1 A
4,871,055	* 10/1989	Poythress et al.	D99/35 X

FIG. 3 is a left side elevational view thereof;

FIG. 4 is a front elevational view thereof;

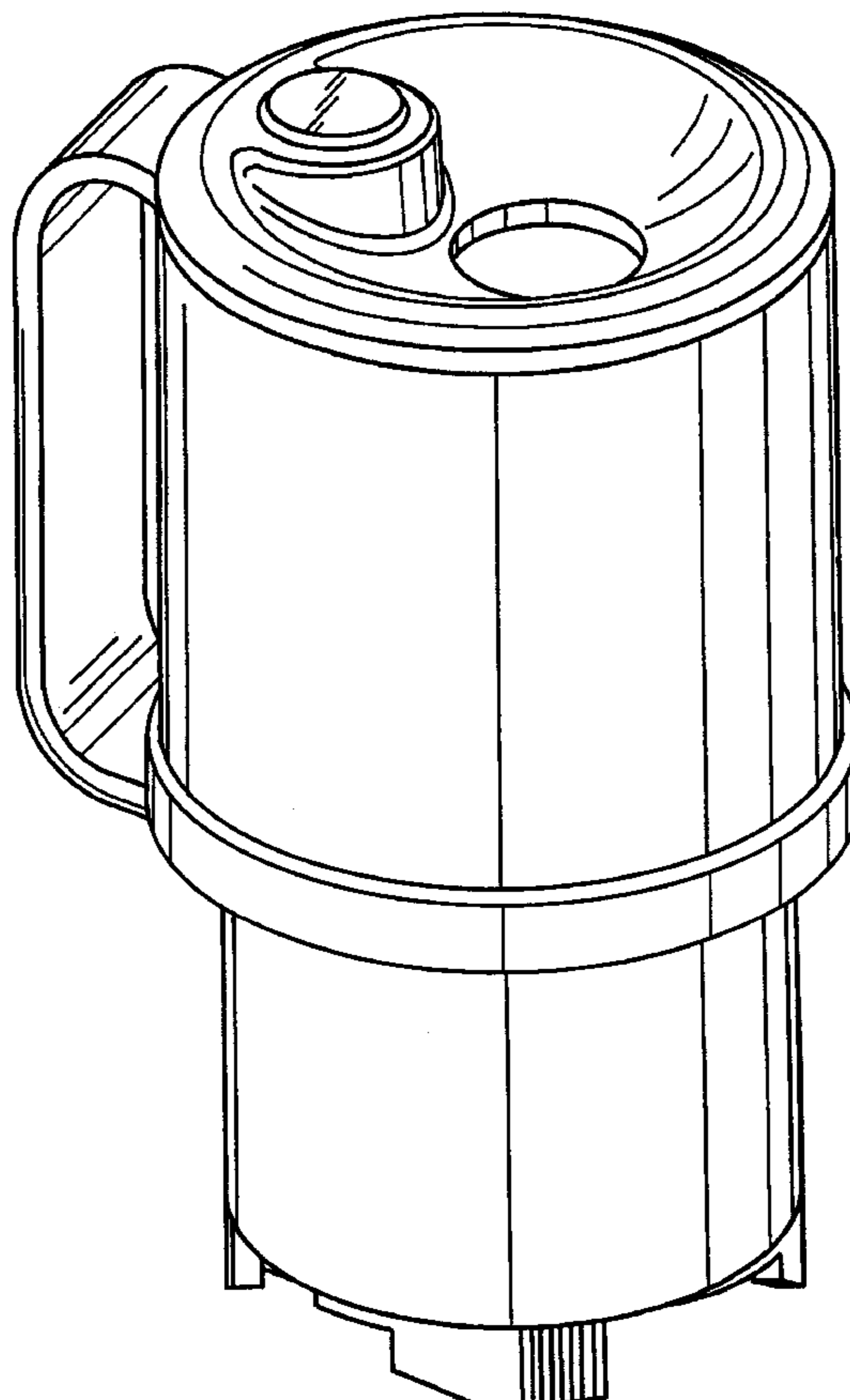
FIG. 5 is a right side elevational view thereof;

FIG. 6 is a top plan view thereof; and,

FIG. 7 is a bottom plan view thereof.

Figure drawings 2–5 are drawn on a smaller scale from FIGS. 1, 6, and 7.

1 Claim, 4 Drawing Sheets



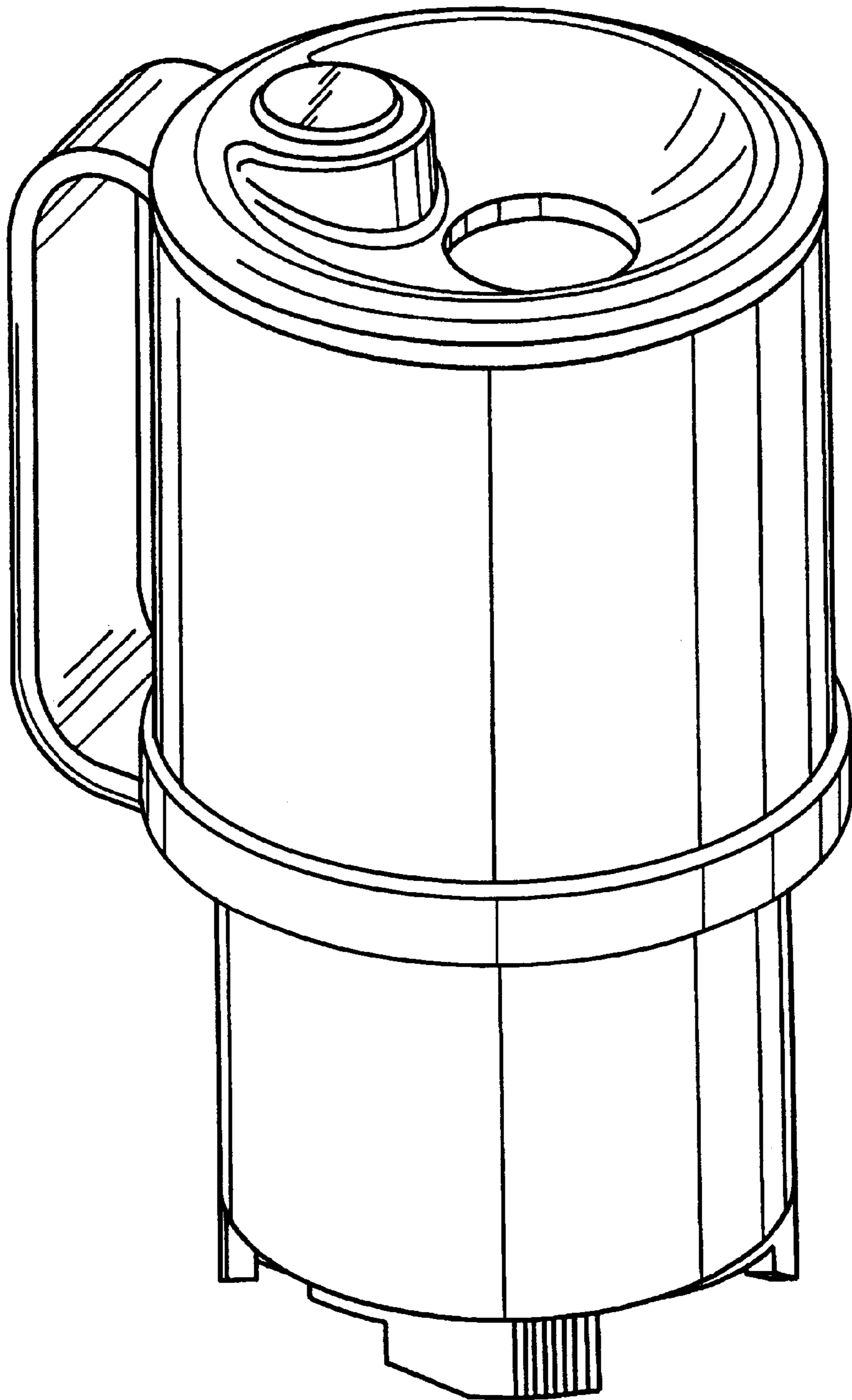


FIG. 1

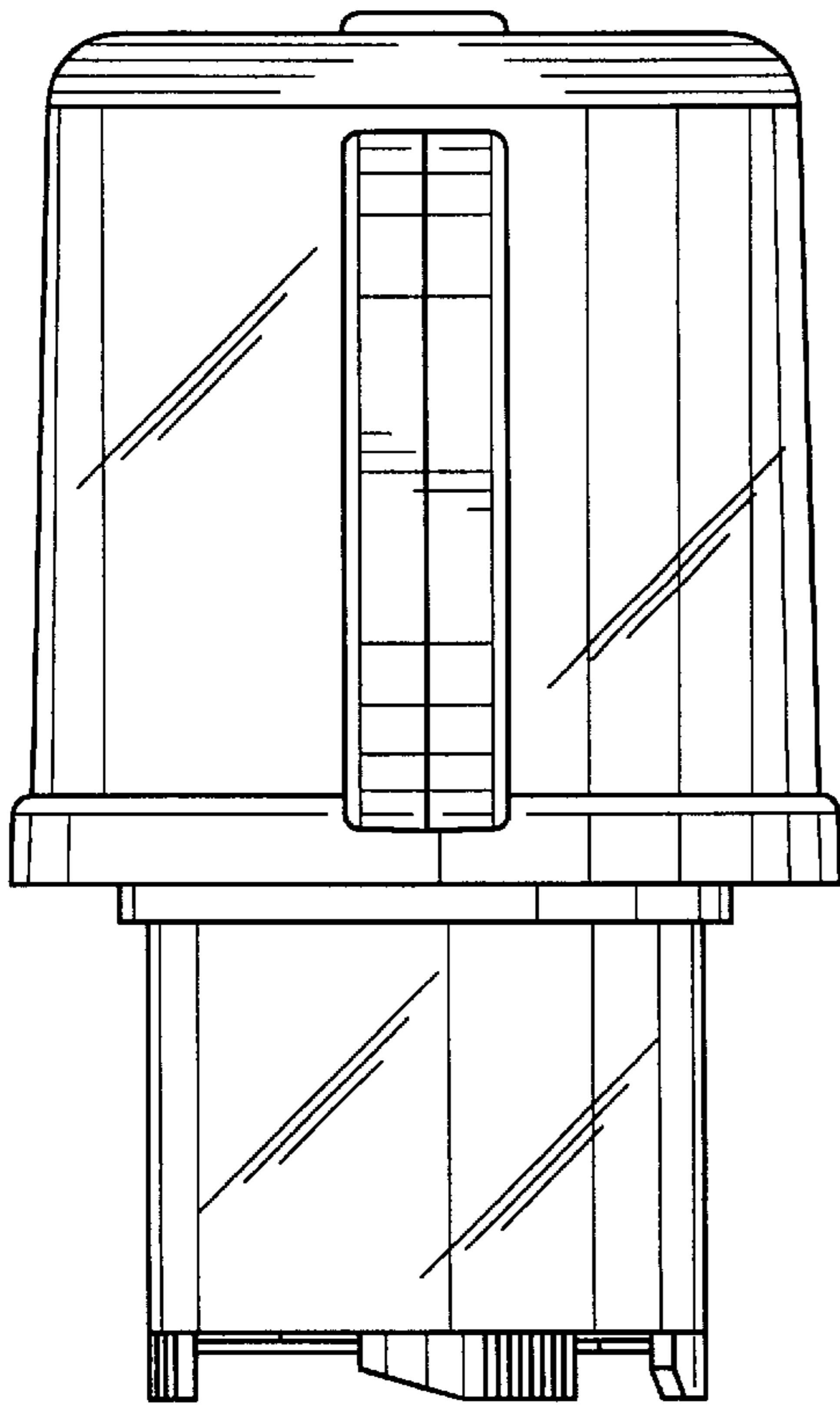


FIG. 2

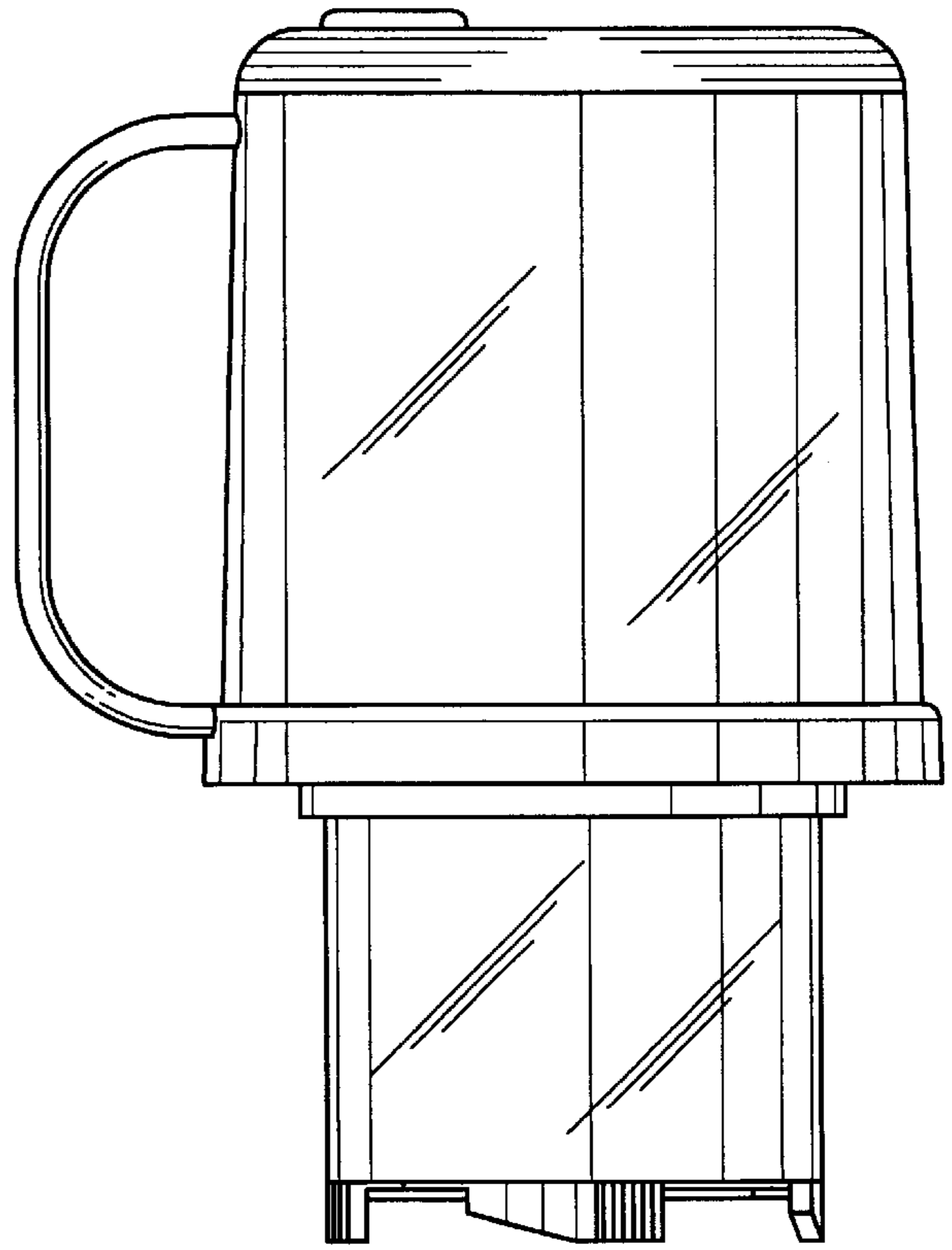


FIG. 3

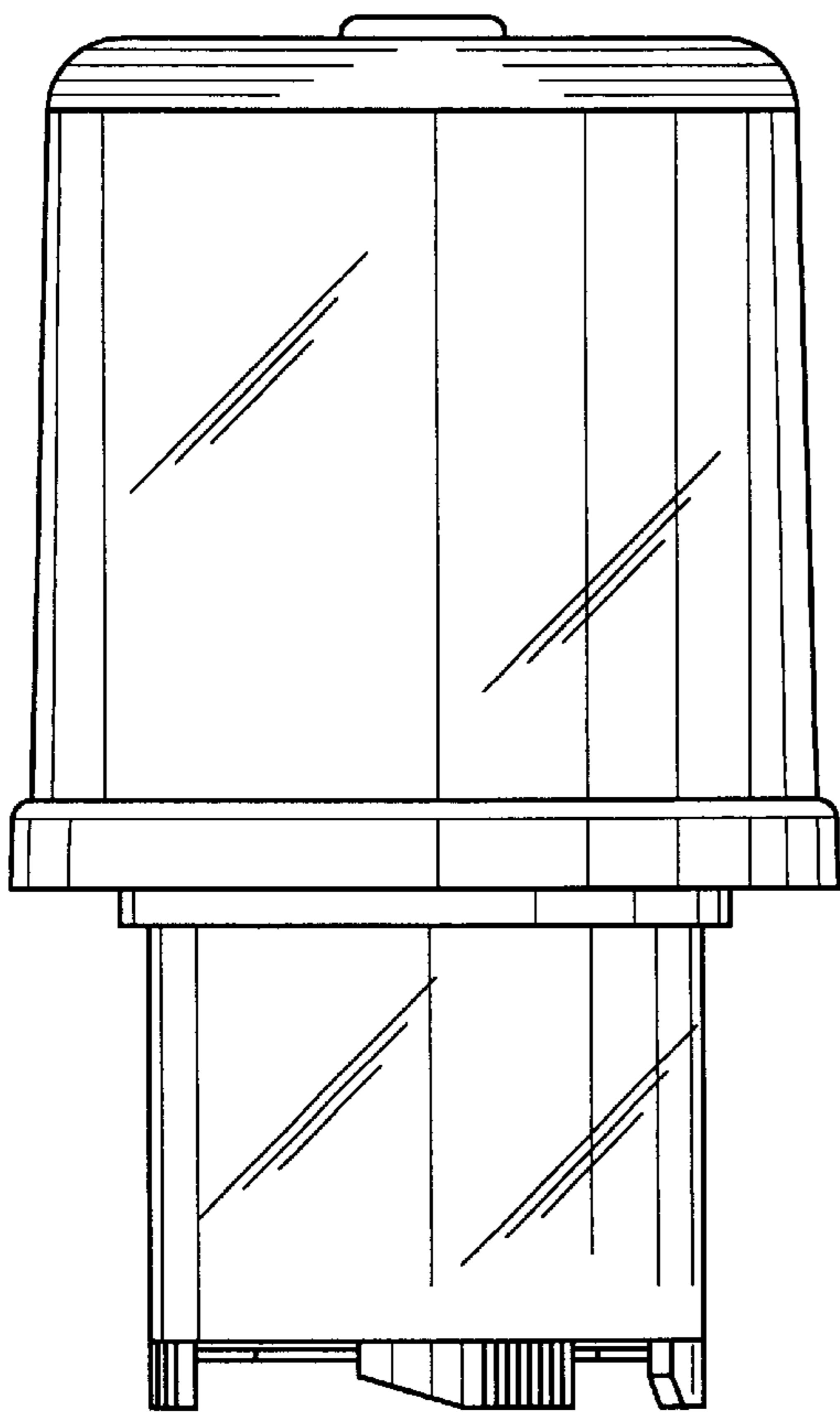


FIG. 4

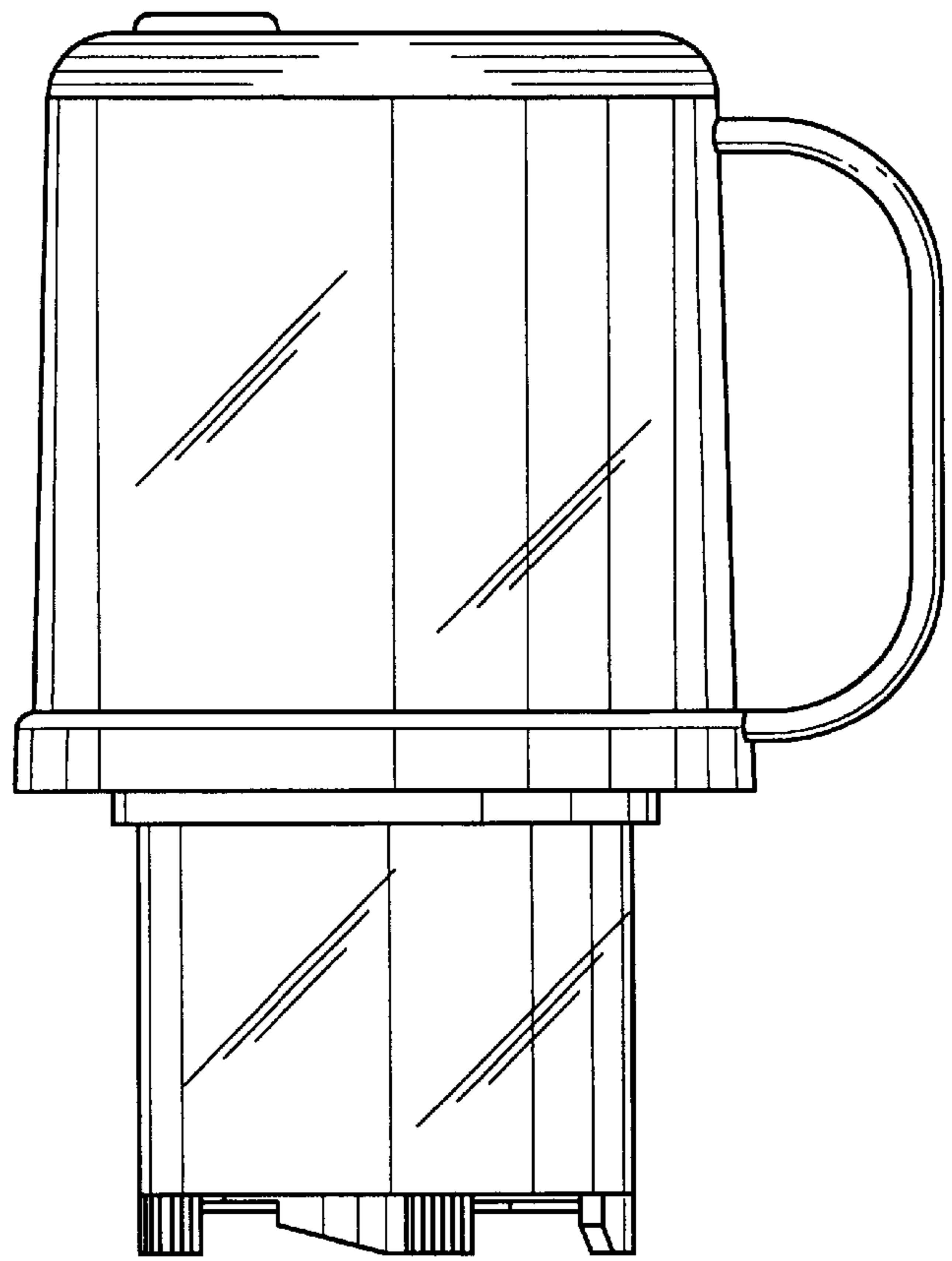


FIG. 5

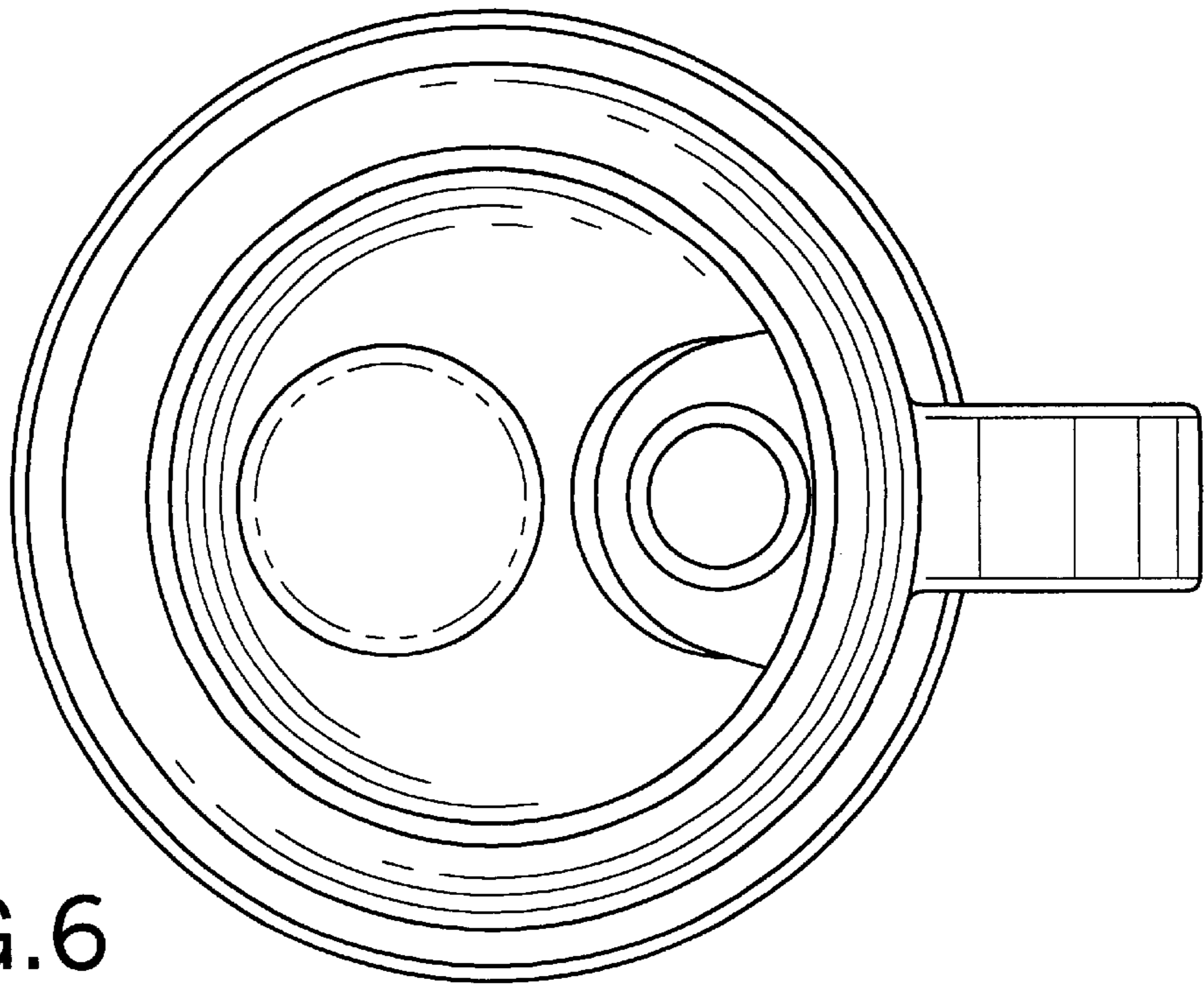


FIG. 6

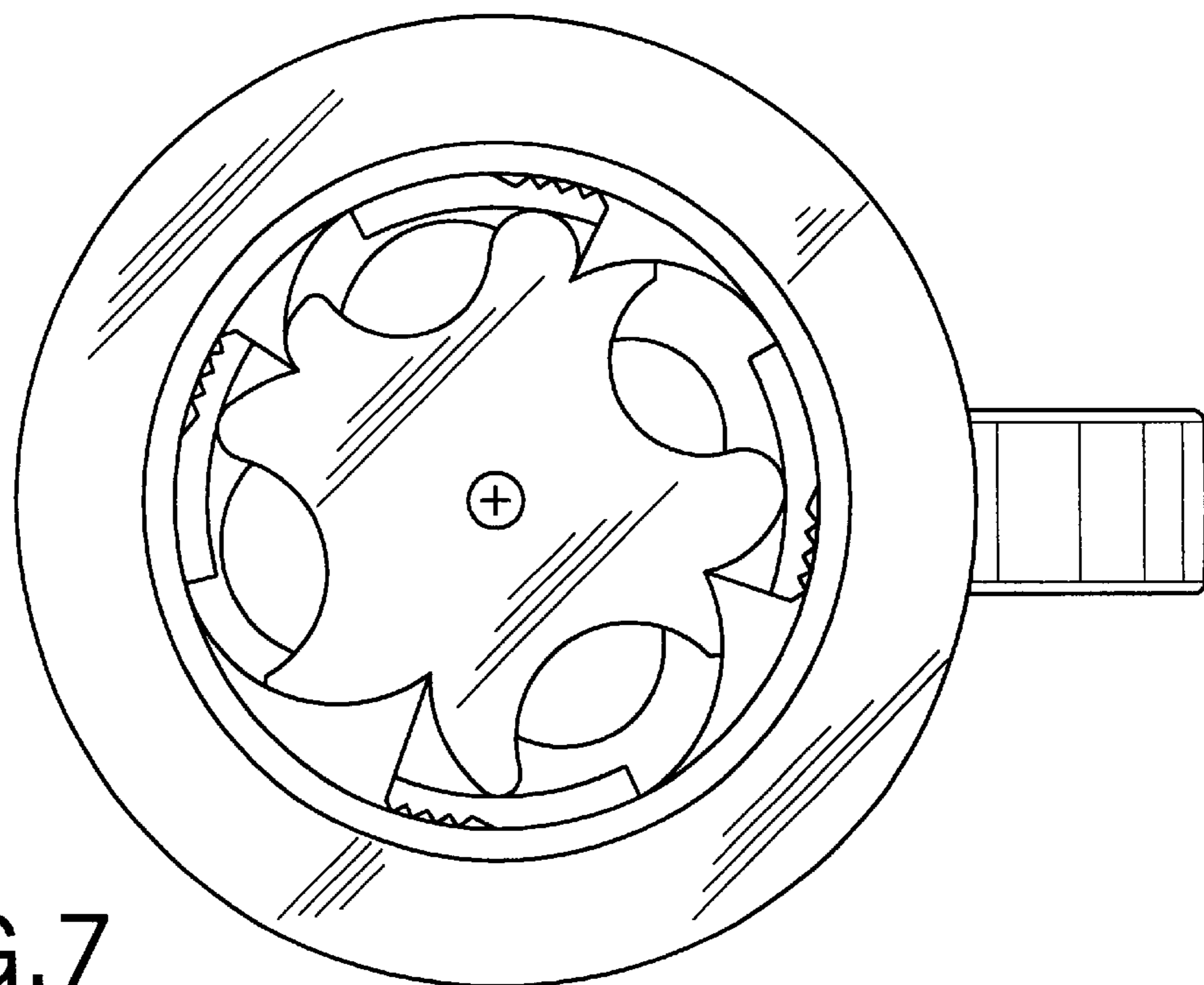


FIG. 7