



US00D443291S

(12) **United States Design Patent**
East

(10) **Patent No.:** **US D443,291 S**

(45) **Date of Patent:** **** Jun. 5, 2001**

(54) **GUITAR ATTACHMENT**

(76) Inventor: **John East**, 10 Back Lane, Ducklington, Witney, Oxfordshire OX8 7UE (GB)

(**) Term: **14 Years**

(21) Appl. No.: **29/099,978**

(22) Filed: **Feb. 1, 1999**

(51) **LOC (7) Cl.** **17-03**

(52) **U.S. Cl.** **D17/20**

(58) **Field of Search** D17/14, 15, 18-20;
84/267, 290, 291, 293, 726, 743

(56) **References Cited**

U.S. PATENT DOCUMENTS

- D. 256,803 * 9/1980 Fender D17/20
- D. 280,640 * 9/1985 Fender D17/20
- 4,245,540 * 1/1981 Groupp 84/726
- 5,693,898 * 12/1997 Fishman 84/267

6,051,765 * 4/2000 Regenberg et al. 84/293

* cited by examiner

Primary Examiner—Adir Aronovich

(74) *Attorney, Agent, or Firm*—Davis & Bujold, P.L.L.C.

(57) **CLAIM**

I claim the ornamental design for a guitar attachment, as shown and described.

DESCRIPTION

FIG. 1 is a front elevational view of a guitar attachment embodying my new design, the rear elevational view being a mirror image thereof;

FIG. 2 is a top plan view thereof;

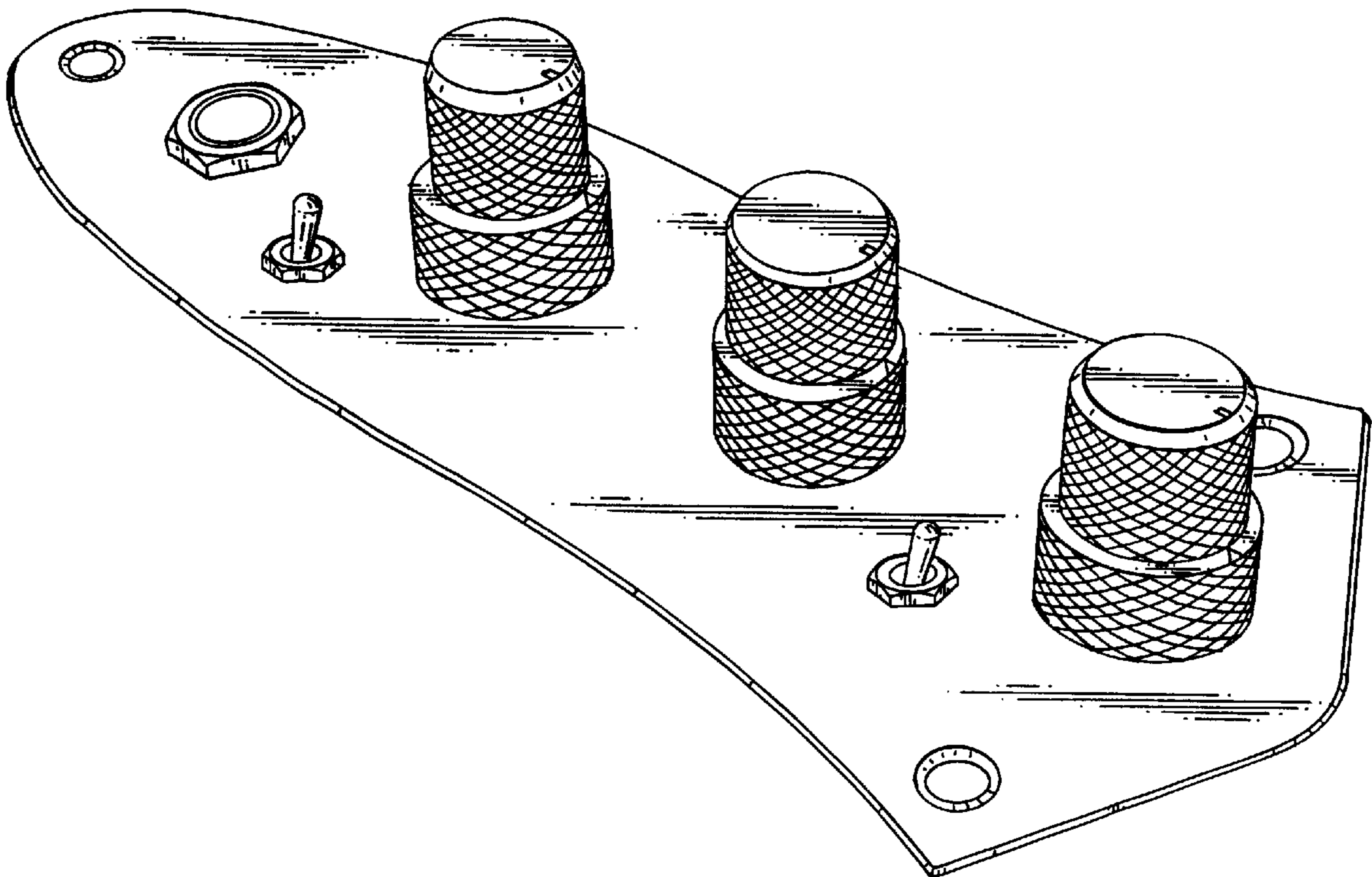
FIG. 3 is a left side elevational view thereof

FIG. 4 is a right elevational view thereof; and,

FIG. 5 is a top, rear, left side elevational view thereof.

The broken line shown in FIGS. 1, 3 and 4 is for illustrative purposes only and forms no part of the claimed design. The appearance of the guitar attachment, as seen from the bottom, forms no part of the claimed design.

1 Claim, 2 Drawing Sheets



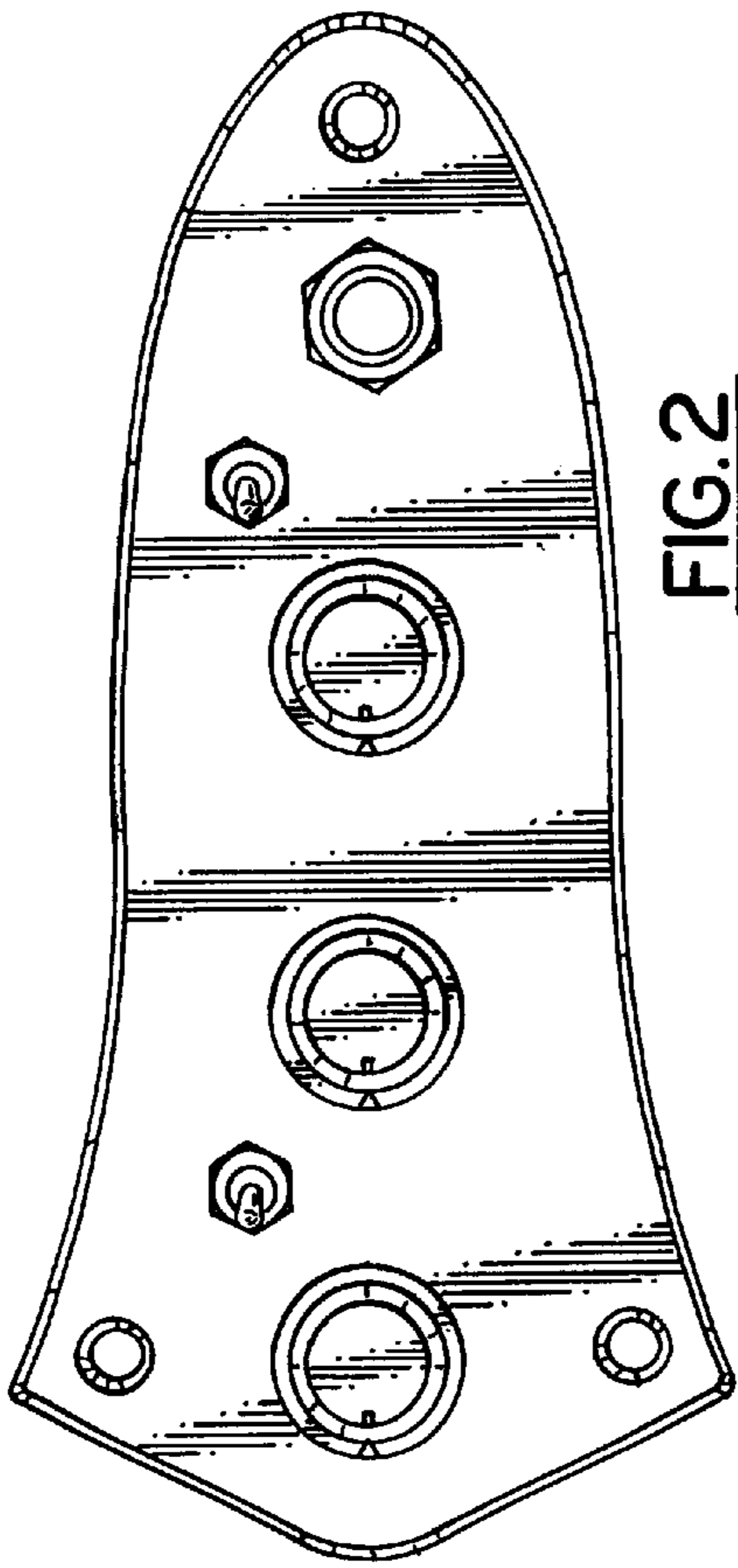


FIG. 2

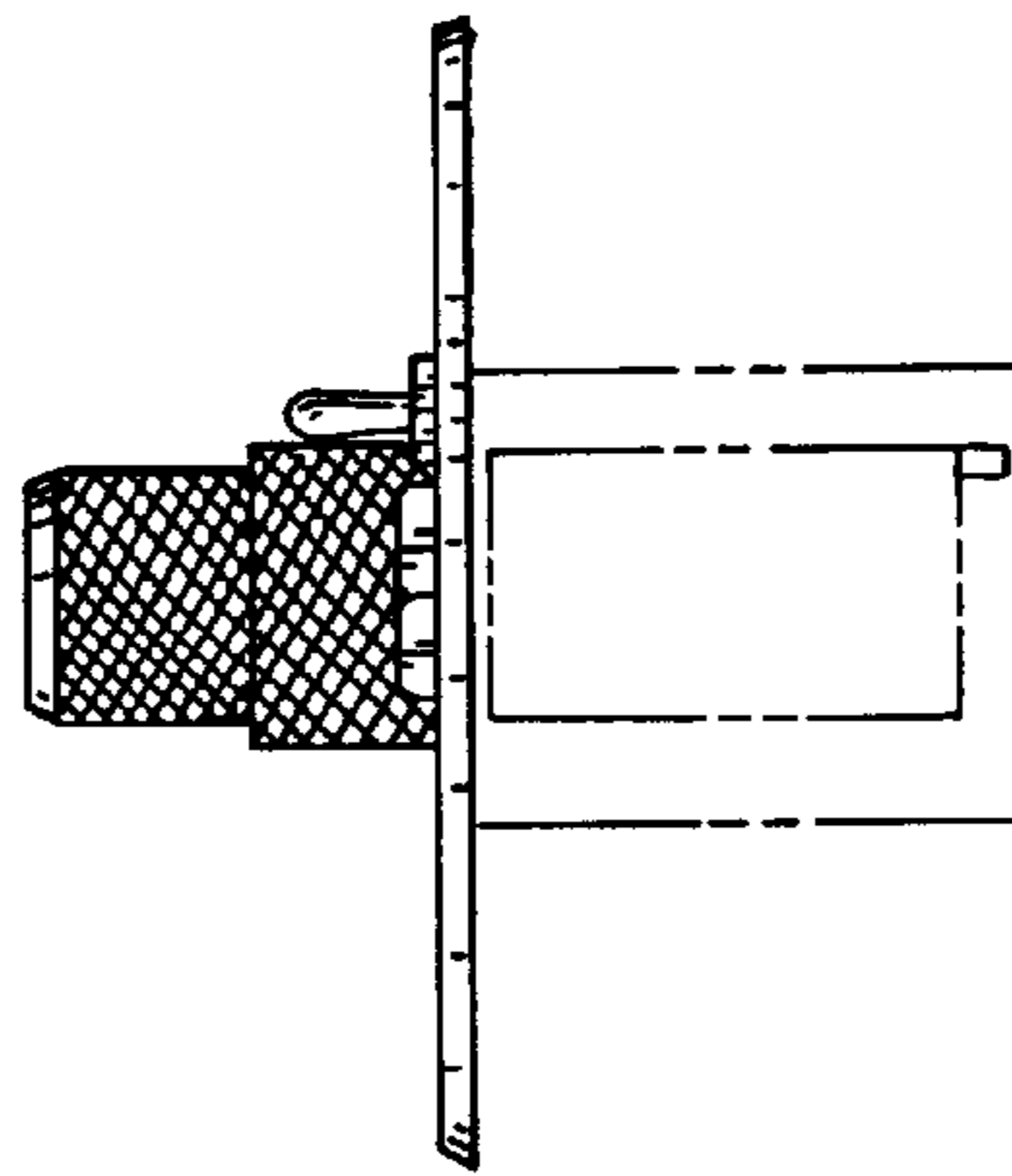


FIG. 4

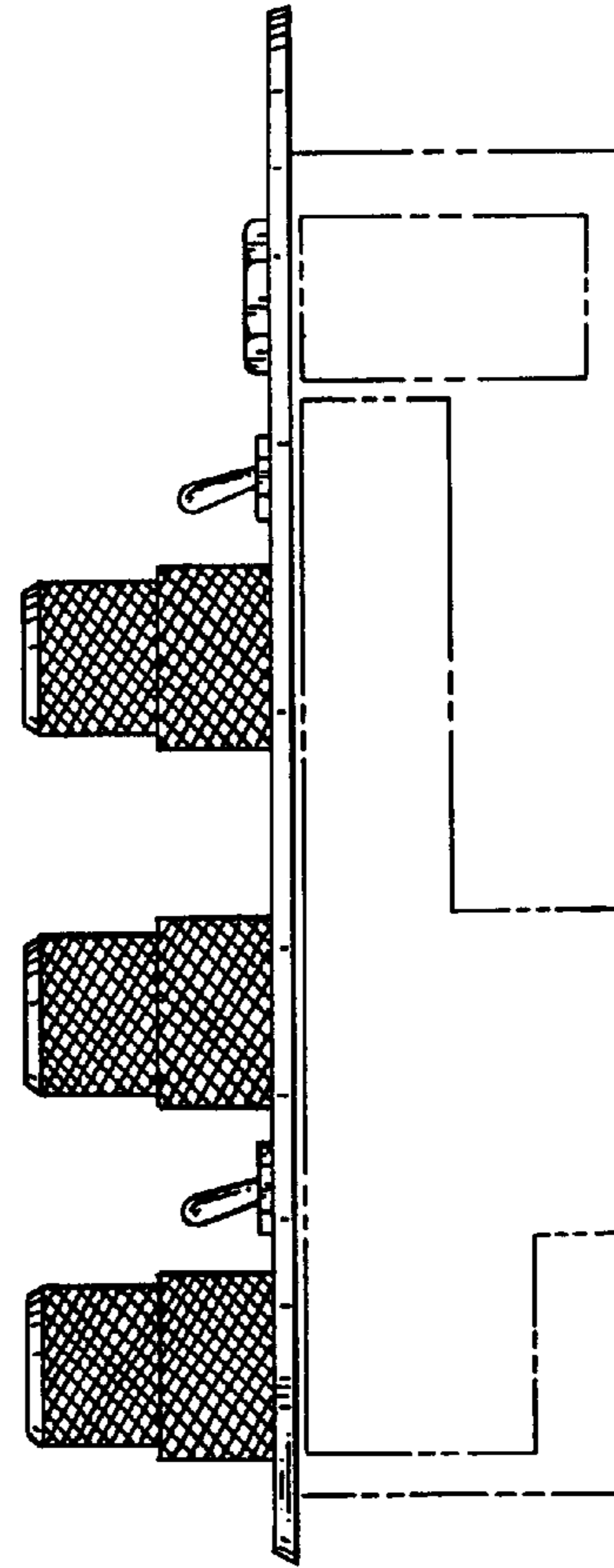


FIG. 1

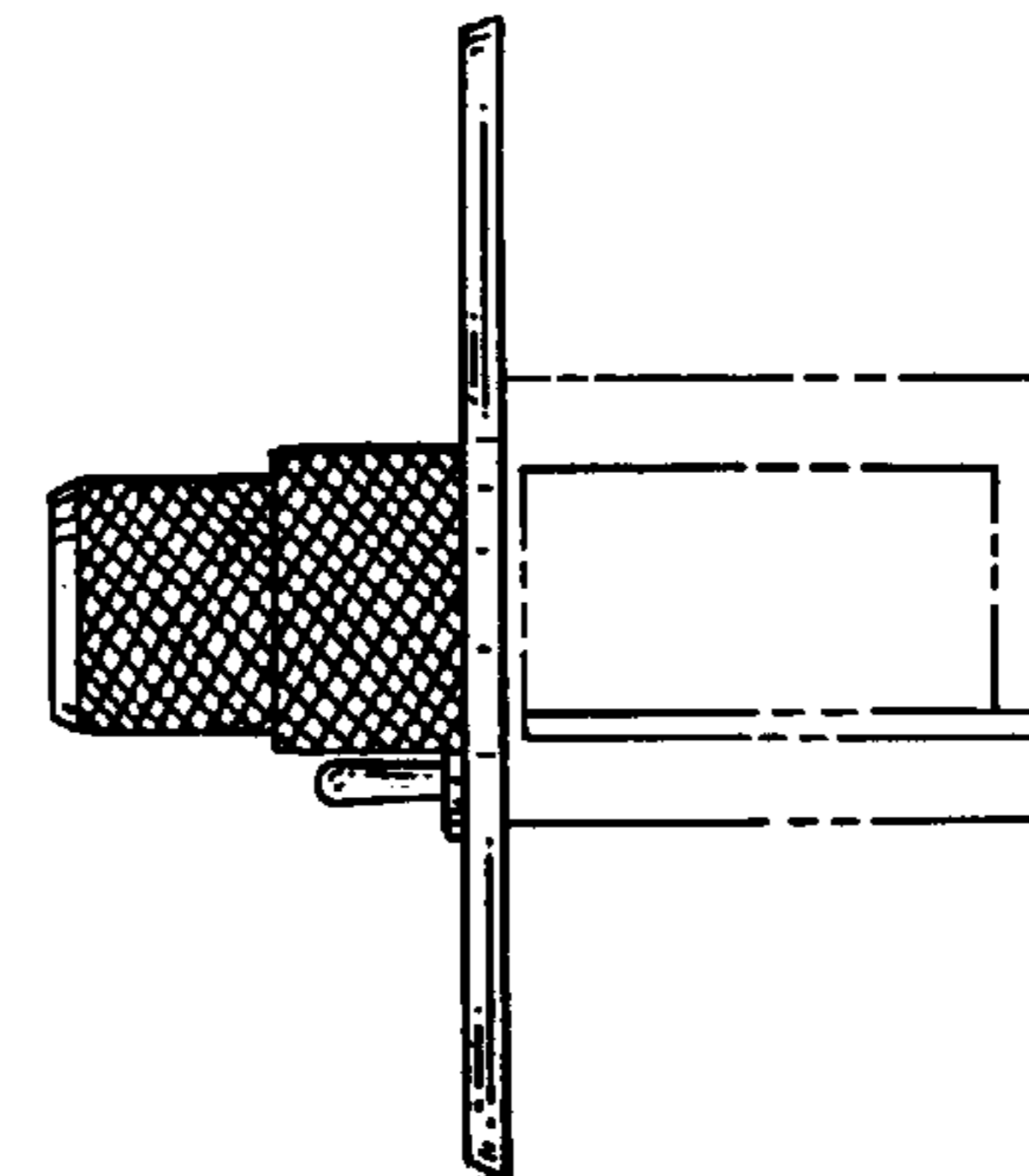


FIG. 3

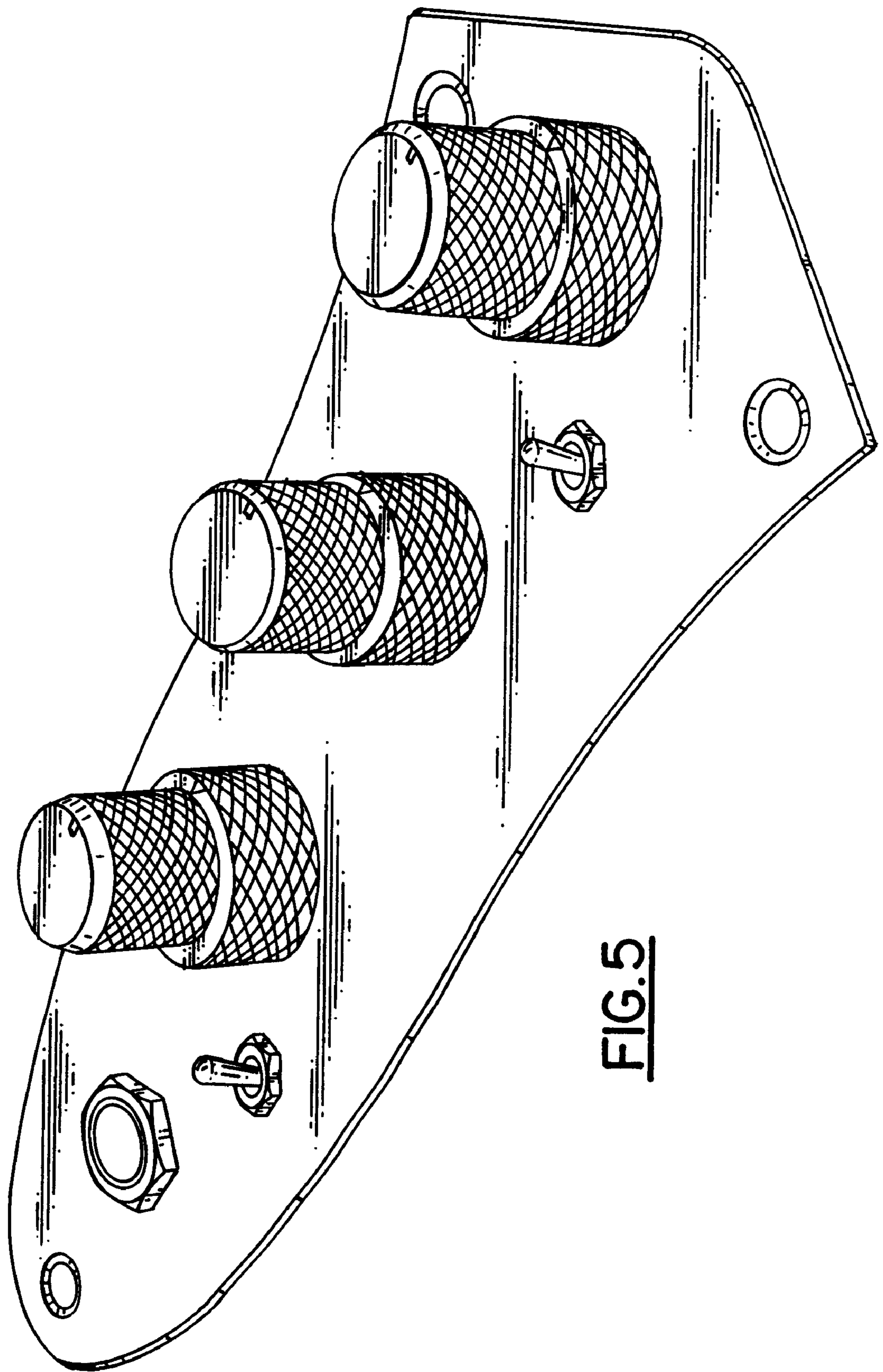


FIG. 5