



US00D443288S

(12) **United States Design Patent**
Kung

(10) **Patent No.:** **US D443,288 S**

(45) **Date of Patent:** **** *Jun. 5, 2001**

(54) **BINOCULARS**

(76) **Inventor:** **Su-Min Kung**, 8F., No. 276-2, Sec. 1,
Ta-Tung Rd., His Chin Town, Taipei
Hsien (TW)

(*) **Notice:** This patent is subject to a terminal disclaimer.

(**) **Term:** **14 Years**

(21) **Appl. No.:** **29/110,464**

(22) **Filed:** **Sep. 3, 1999**

(51) **LOC (7) Cl.** **16-06**

(52) **U.S. Cl.** **D16/133**

(58) **Field of Search** D16/130, 133;
359/407, 408, 409, 410, 411, 412, 413,
414, 415, 416, 417, 418

(56) **References Cited**

U.S. PATENT DOCUMENTS

- D. 195,146 * 4/1963 Jensen D16/133
- D. 223,298 * 4/1972 Senda et al. D16/133
- D. 227,705 * 7/1973 Mizukawa D16/133

- D. 356,586 * 3/1995 Takahashi D16/133
- D. 380,225 * 6/1997 Kung D16/133
- 4,325,602 * 4/1982 Lange 359/408
- 4,867,533 * 9/1989 Akin, Jr. 359/414 X

* cited by examiner

Primary Examiner—Paula A. Mortimer
(74) *Attorney, Agent, or Firm*—Pro-Techtor International Services

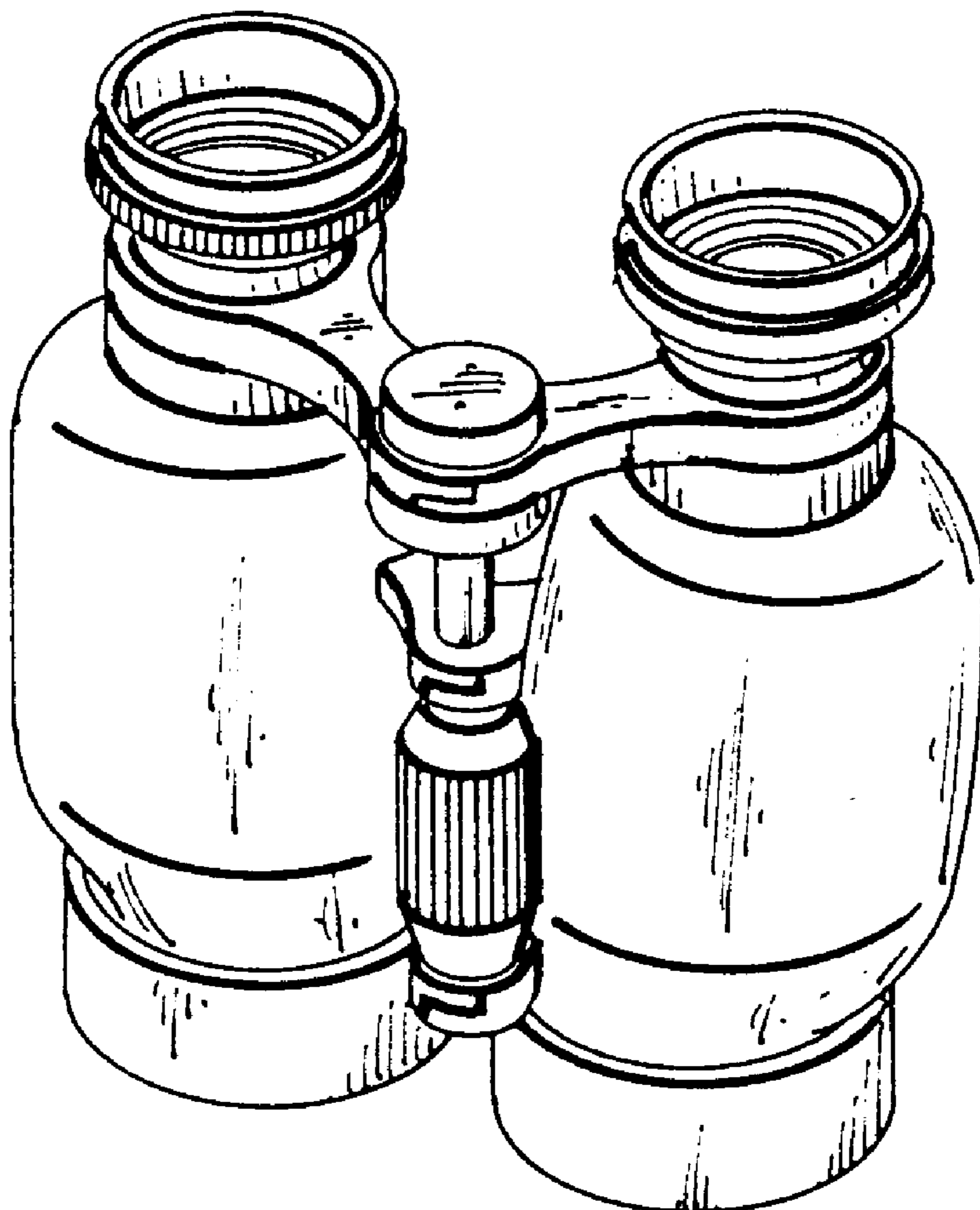
(57) **CLAIM**

The ornamental design for binoculars, as shown and described.

DESCRIPTION

FIG. 1 is a perspective view of binoculars showing my new design;
FIG. 2 is front elevation view thereof;
FIG. 3 is rear elevation view thereof;
FIG. 4 is left side elevation view thereof;
FIG. 5 is a right side elevation view thereof;
FIG. 6 is a top view thereof; and,
FIG. 7 is a bottom view thereof.

1 Claim, 4 Drawing Sheets



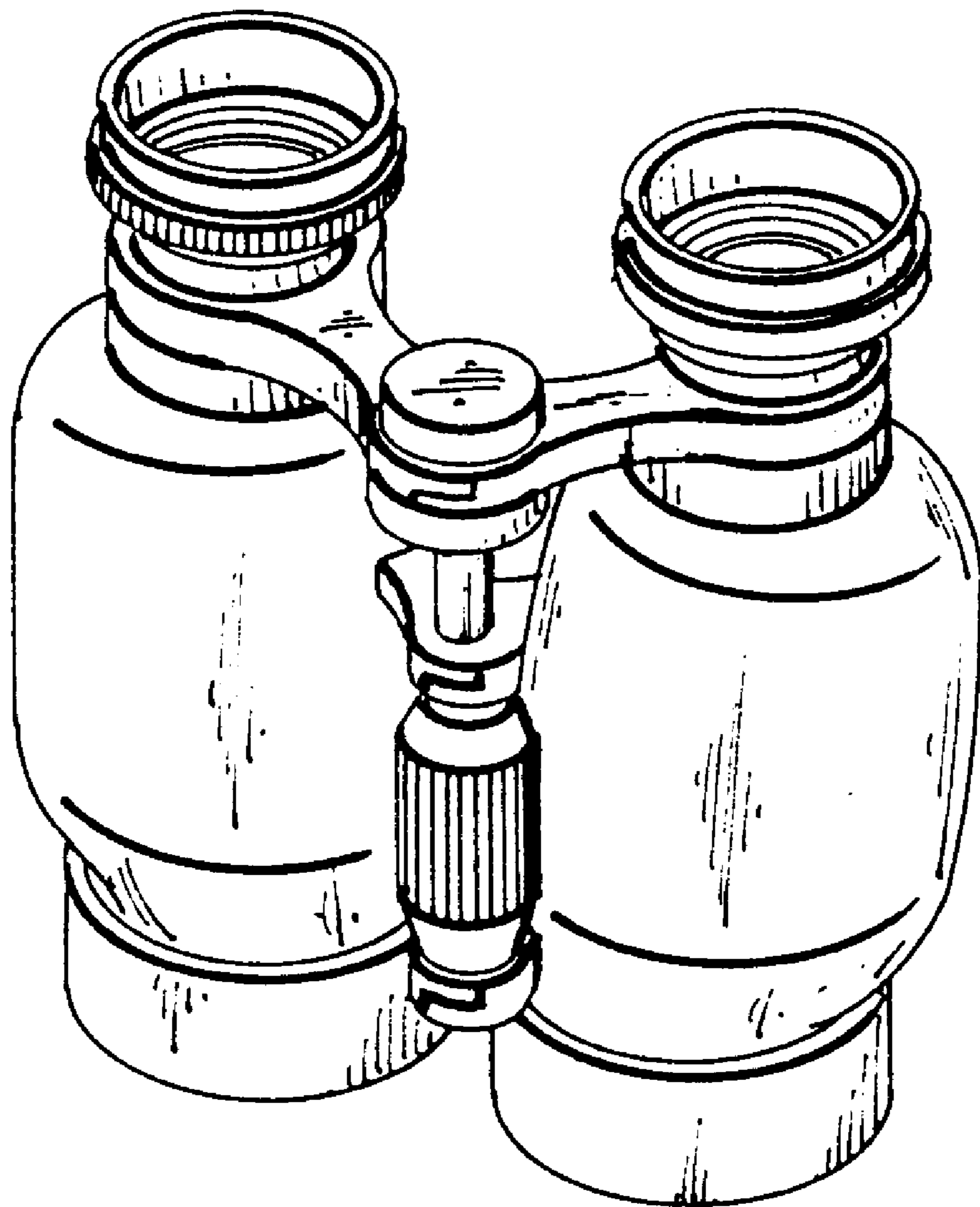


FIG. 1

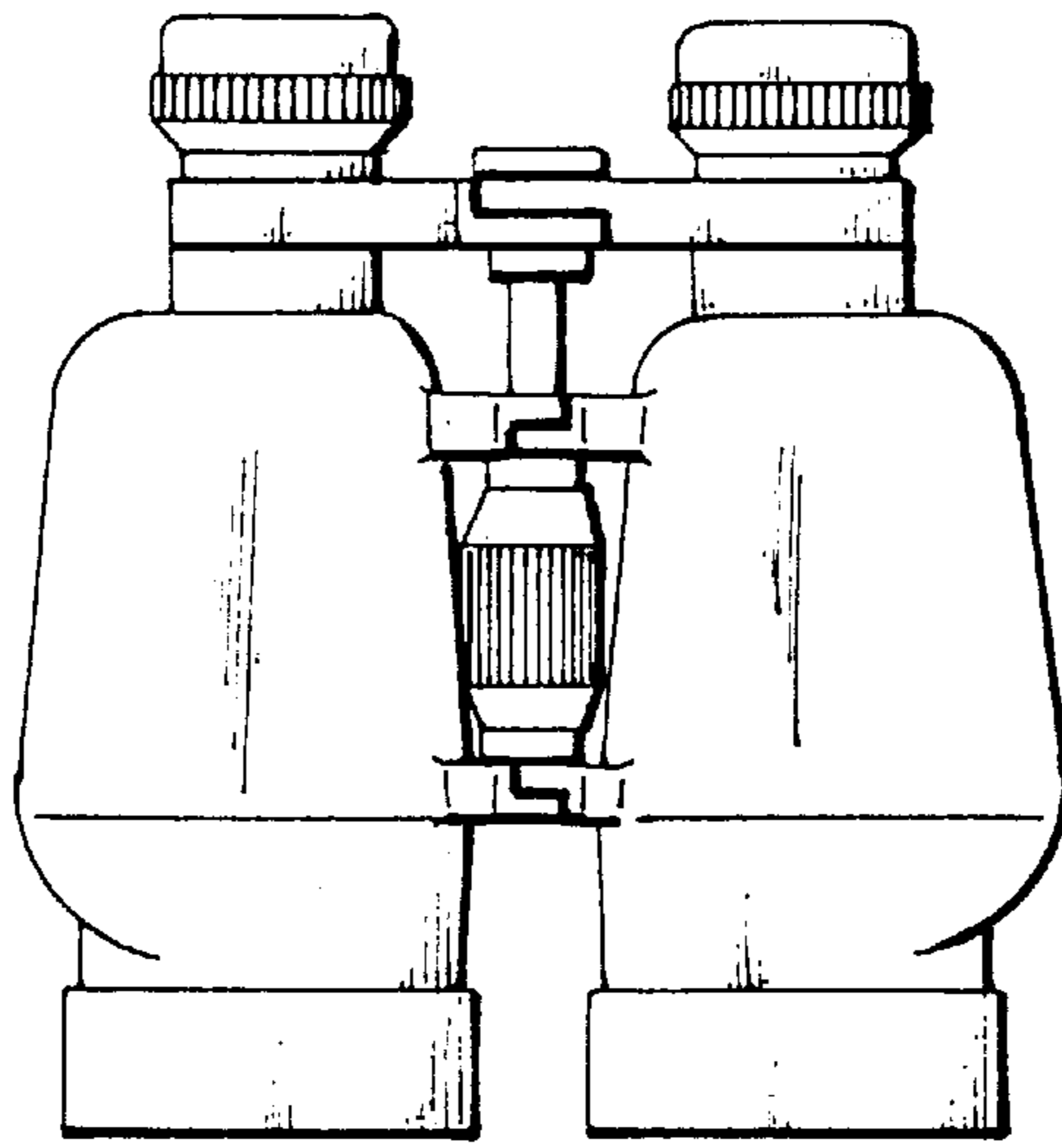


FIG. 2

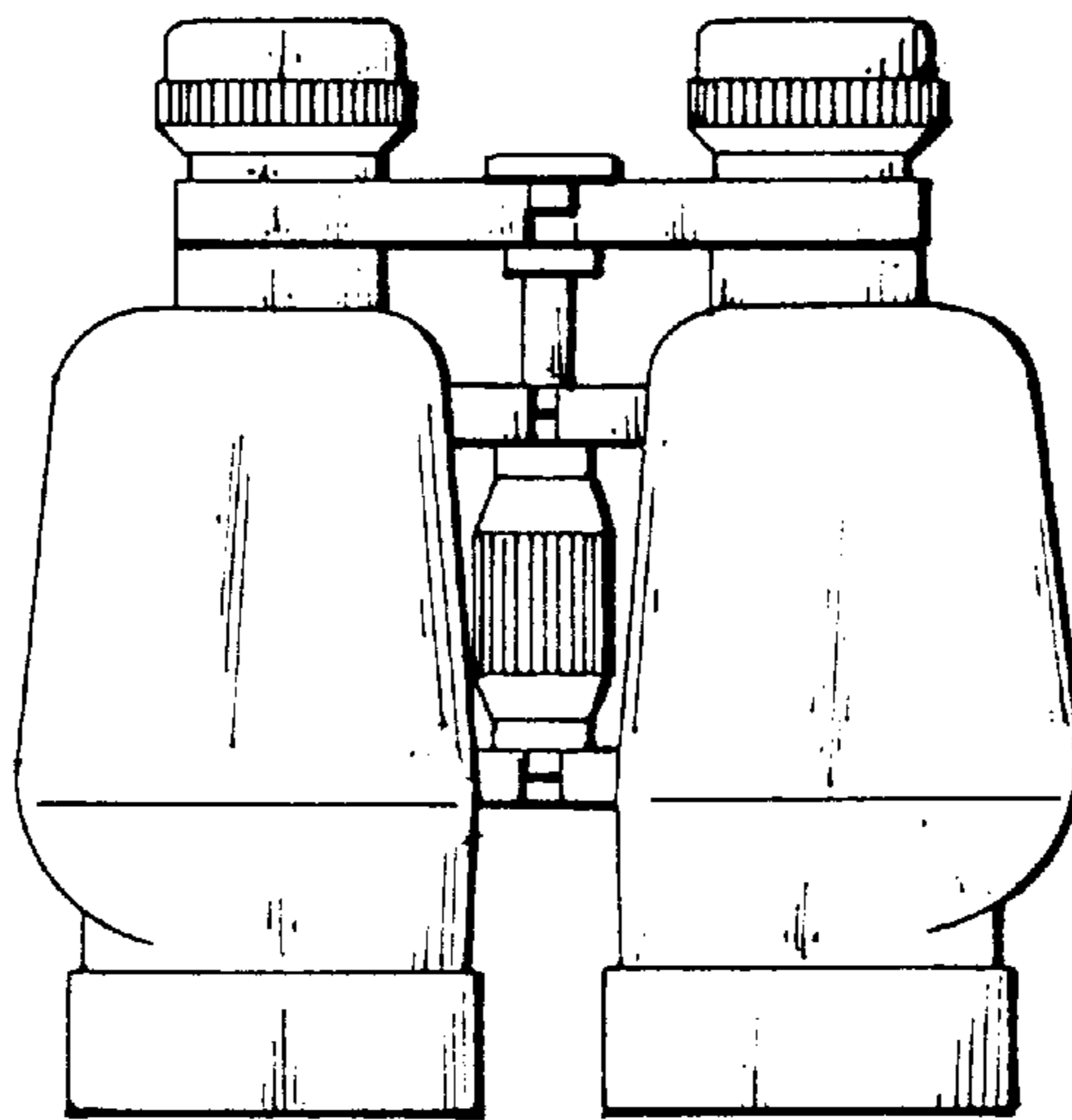


FIG. 3

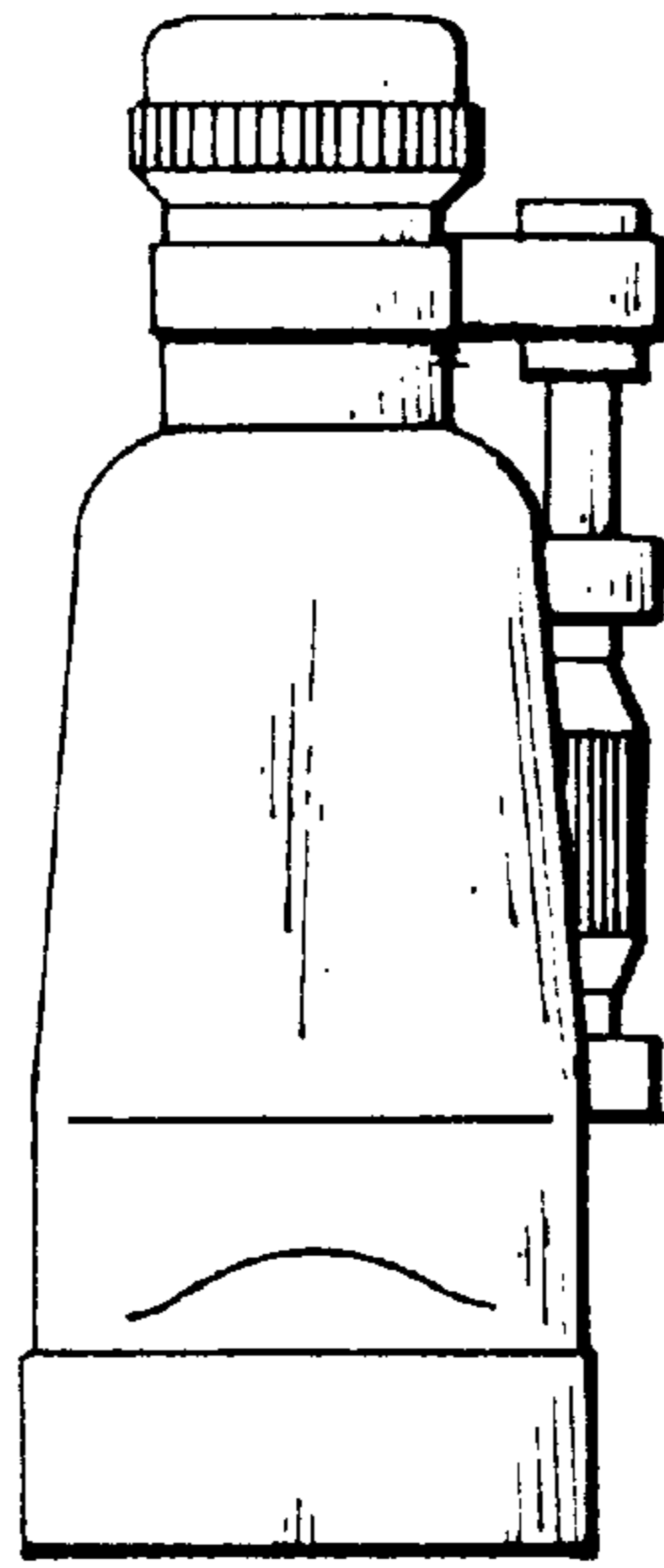


FIG. 4

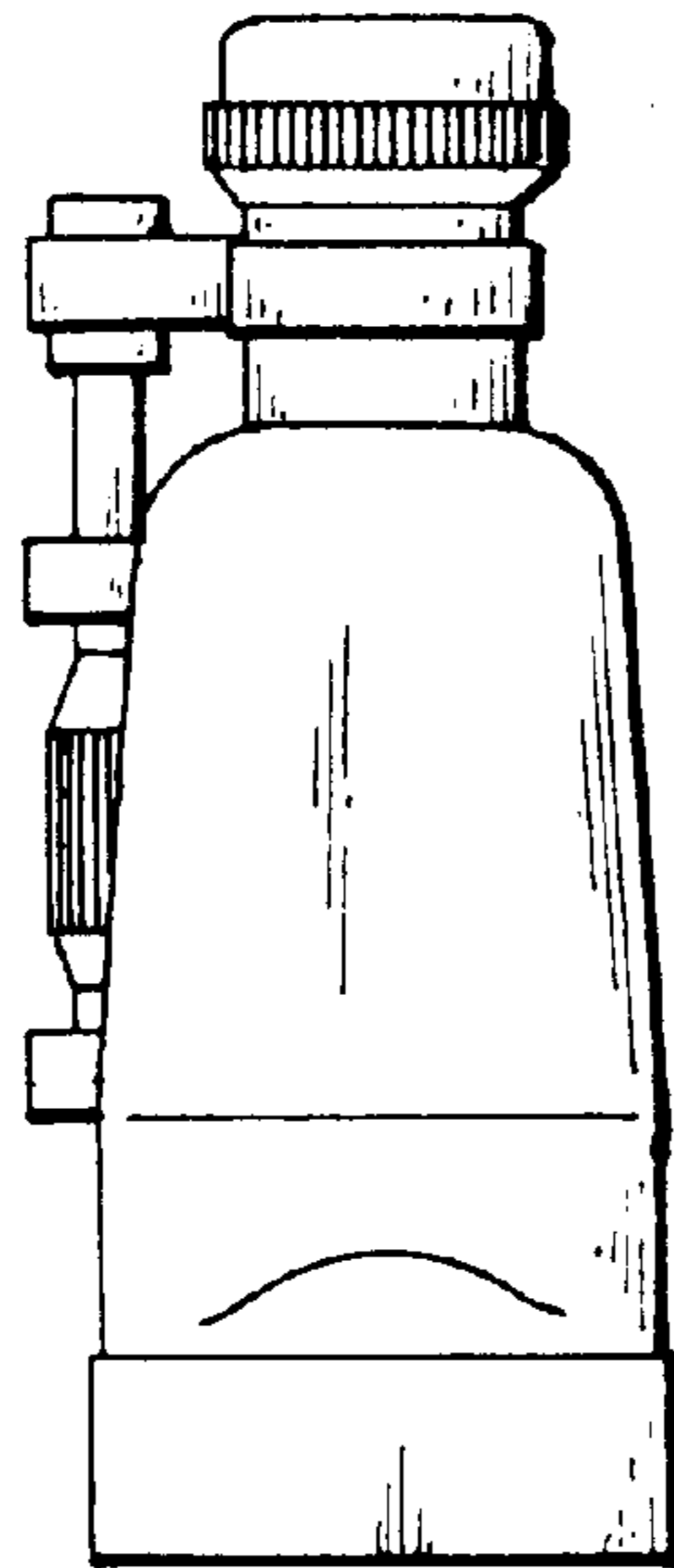


FIG. 5

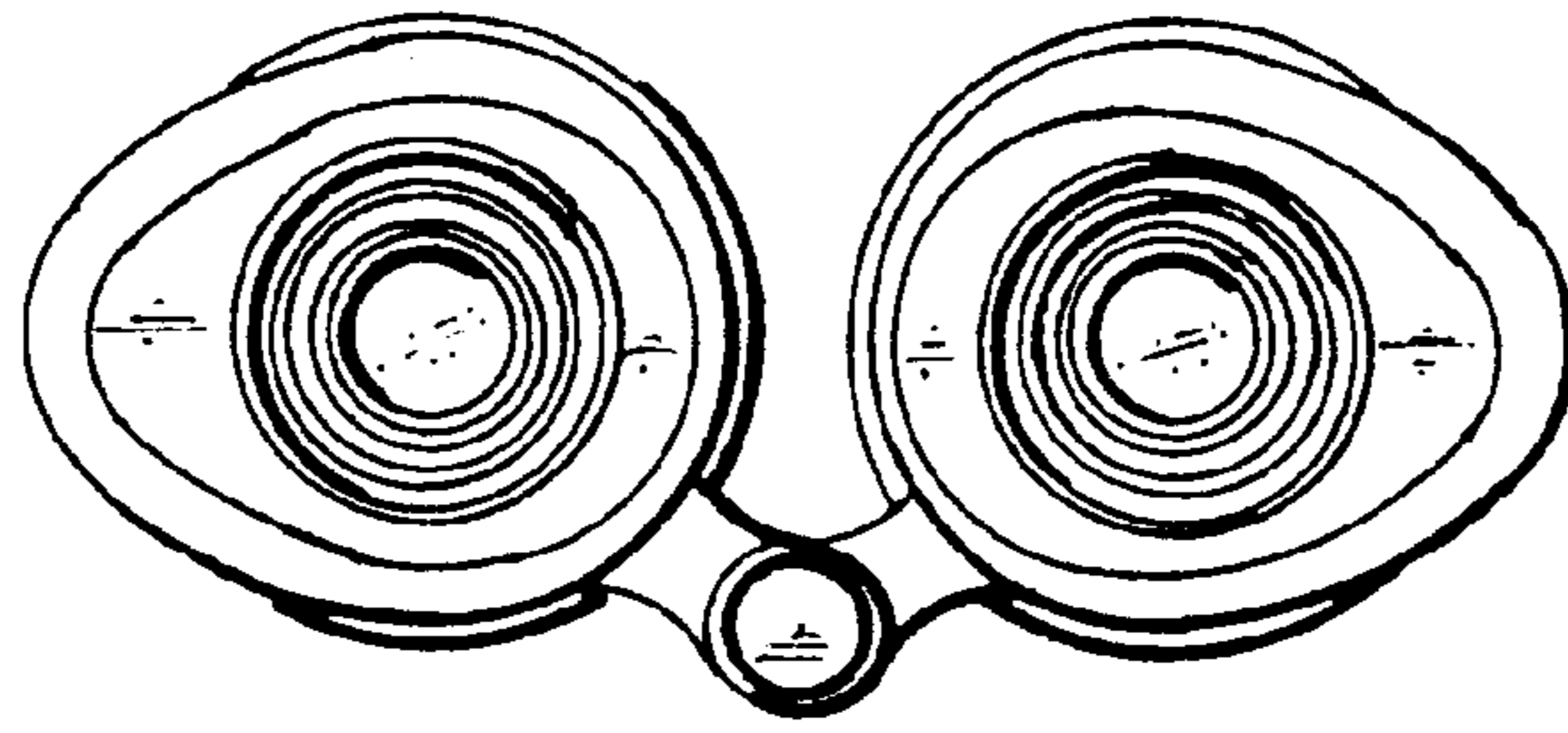


FIG. 6

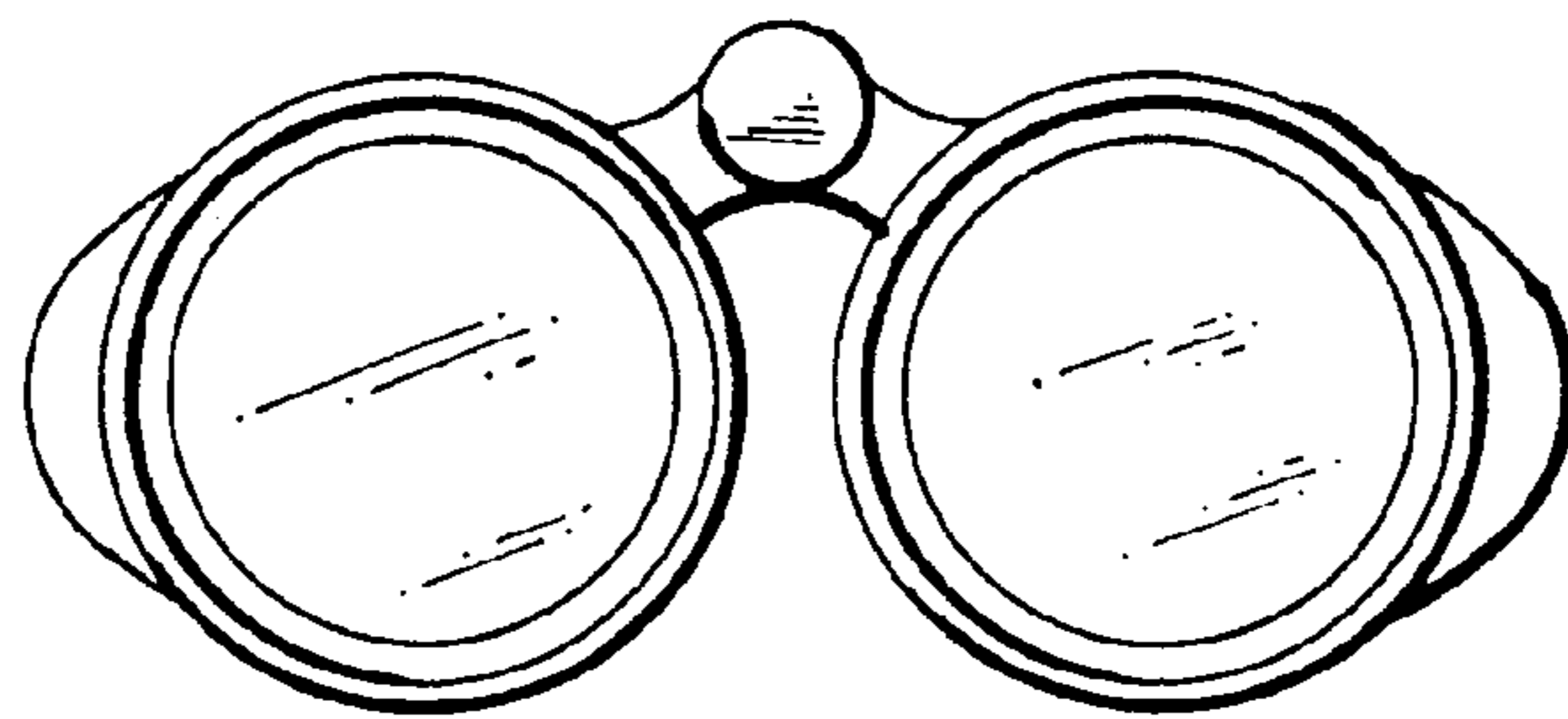


FIG. 7