



US00D443287S

(12) **United States Design Patent**
Kawahara et al.

(10) **Patent No.:** **US D443,287 S**

(45) **Date of Patent:** **** Jun. 5, 2001**

(54) **INDUSTRIAL ROBOT**

(75) Inventors: **Kenta Kawahara; Junji Takehara,**
both of Tokyo (JP)

(73) Assignee: **Mitsubishi Denki Kabushiki Kaisha,**
Tokyo (JP)

(**) Term: **14 Years**

(21) Appl. No.: **29/121,088**

(22) Filed: **Apr. 3, 2000**

(30) **Foreign Application Priority Data**

Oct. 4, 1999 (JP) 11-26945

(51) **LOC (7) Cl.** **15-09**

(52) **U.S. Cl.** **D15/199**

(58) **Field of Search** D15/199; 33/503;
74/665 A, 409.02; 414/735; 702/150; 901/2,
23, 25

(56) **References Cited**

U.S. PATENT DOCUMENTS

D. 300,935 * 5/1989 Maddock et al. D15/199

4,828,451 * 5/1989 Milkoshi et al. 74/665 A
5,753,834 * 5/1998 Stewart 74/665 A
5,807,449 * 9/1998 Hooker et al. 33/503
6,078,876 * 6/2000 Rosenberg et al. 33/503 X

* cited by examiner

Primary Examiner—Antoine Duval Davis

(74) *Attorney, Agent, or Firm*—Oblon, Spivak, McClelland,
Maier & Neustadt, P.C.

(57) **CLAIM**

The ornamental design for a industrial robot, as shown.

DESCRIPTION

FIG. 1 is a front, and right side perspective view of an industrial robot, showing our new design; FIG. 2 is a front elevational view thereof; FIG. 3 is a rear elevational view thereof; FIG. 4 is a top plan view thereof; FIG. 5 is a bottom plan view thereof; FIG. 6 is a left side elevational view thereof; FIG. 7 is a right side elevational view thereof; and, FIG. 8 is an enlarged cross-sectional view thereof, taken along line 8—8 of FIG. 2, with the internal system omitted.

1 Claim, 5 Drawing Sheets

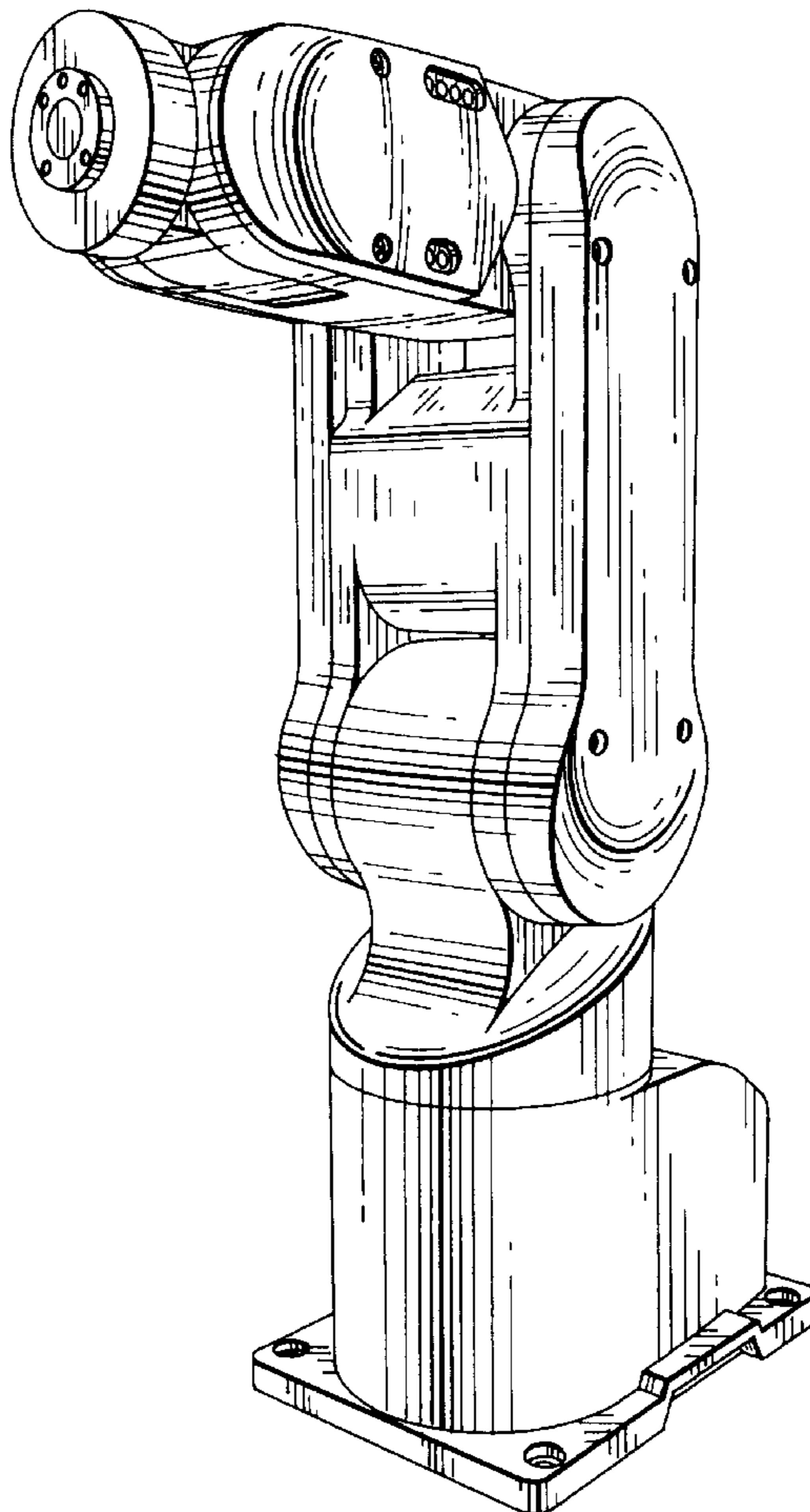


FIG. 1

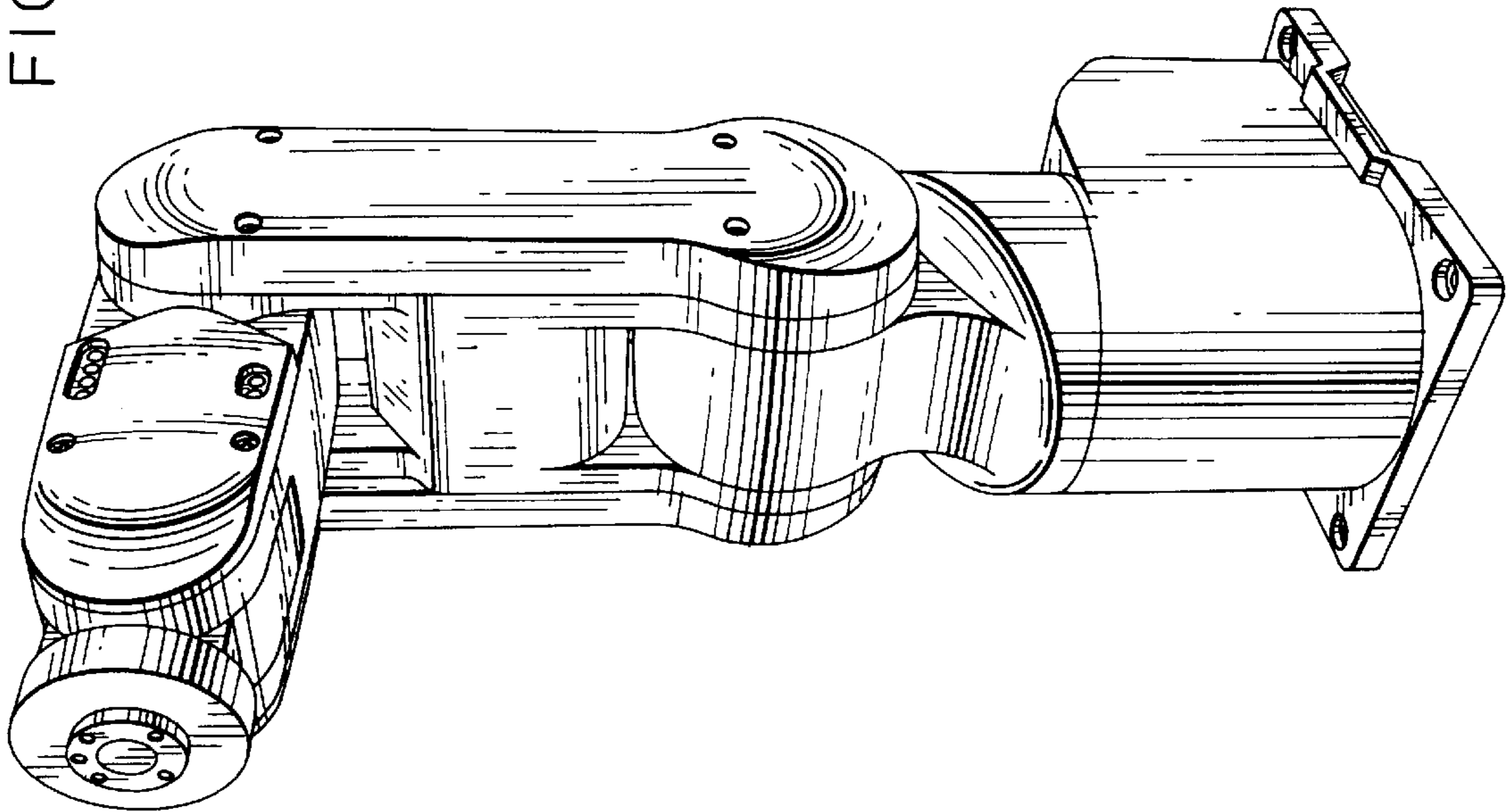


FIG. 3

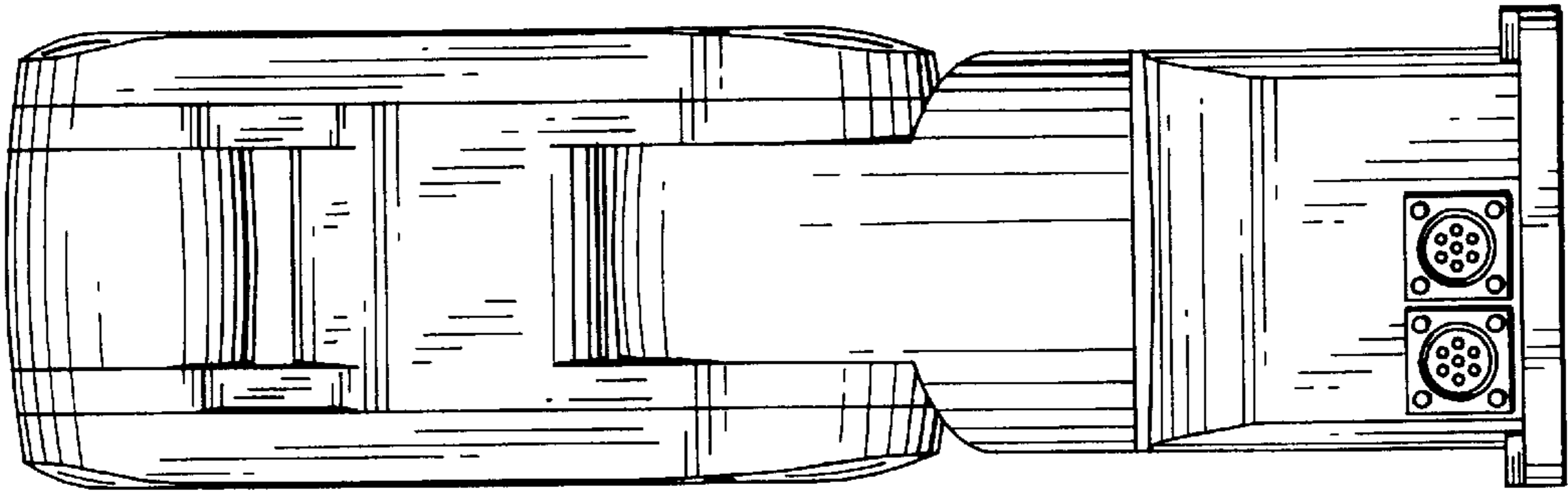


FIG. 2

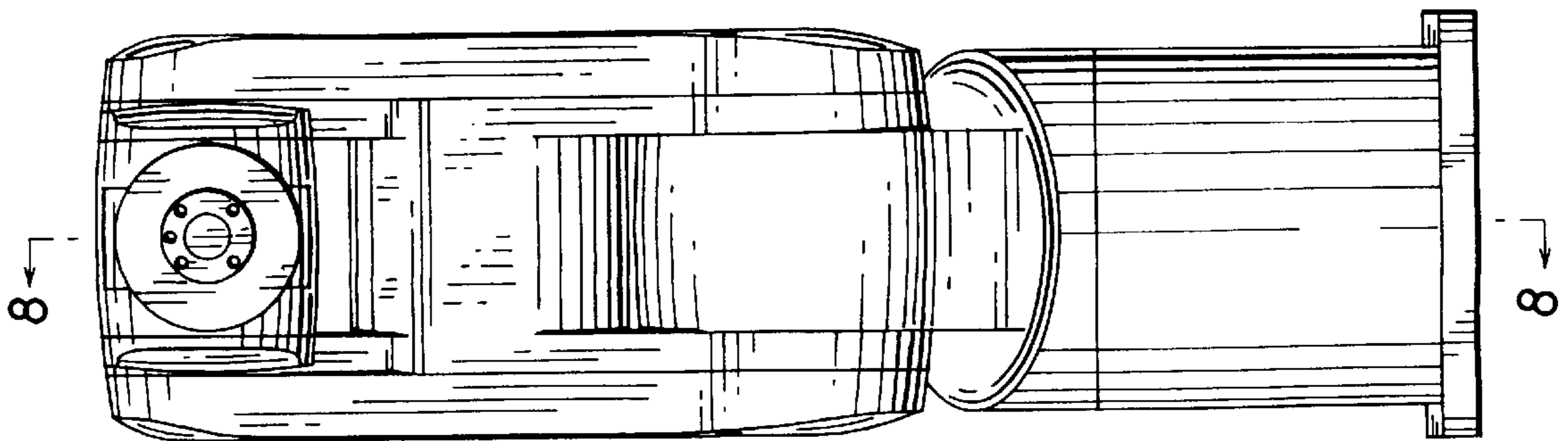


FIG. 5

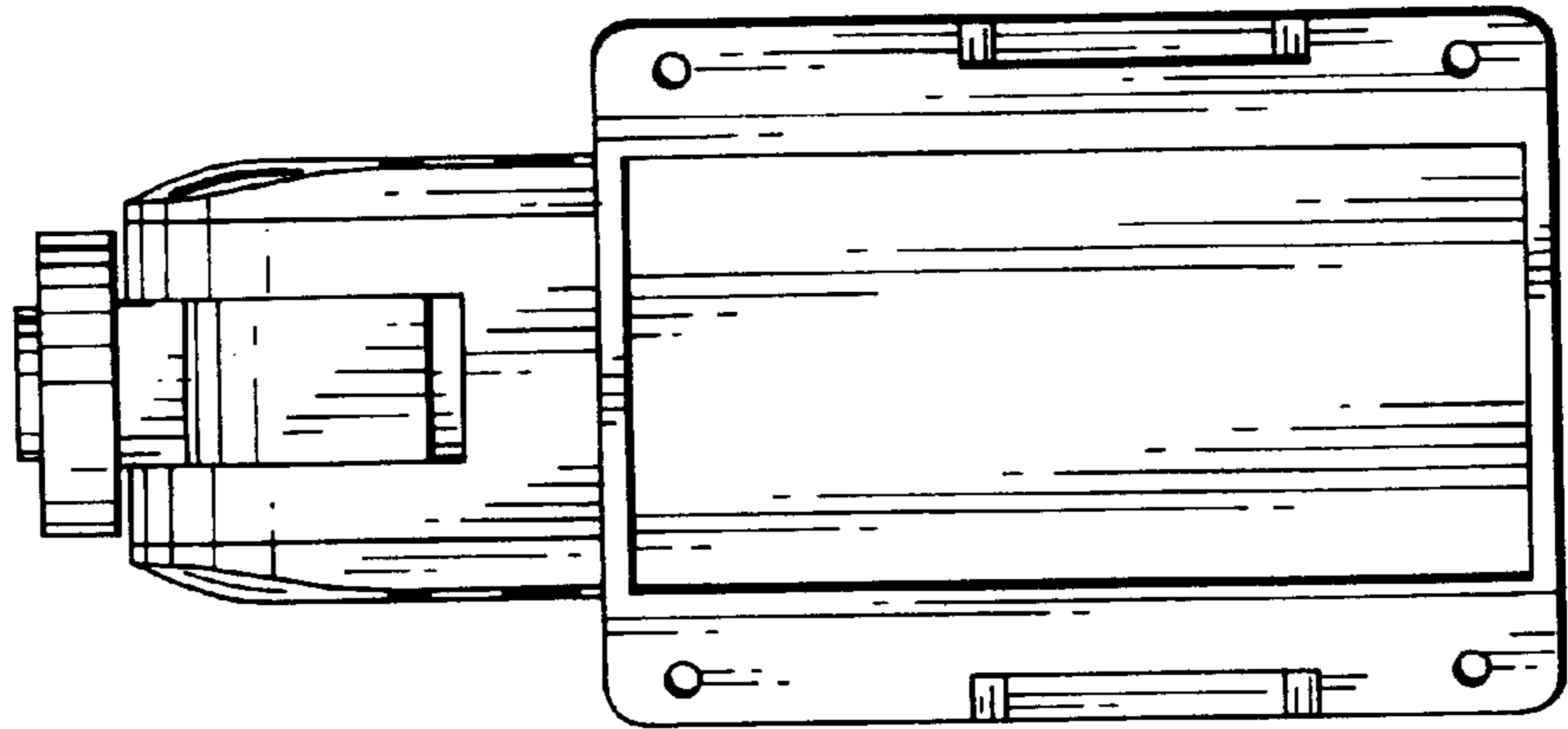


FIG. 4

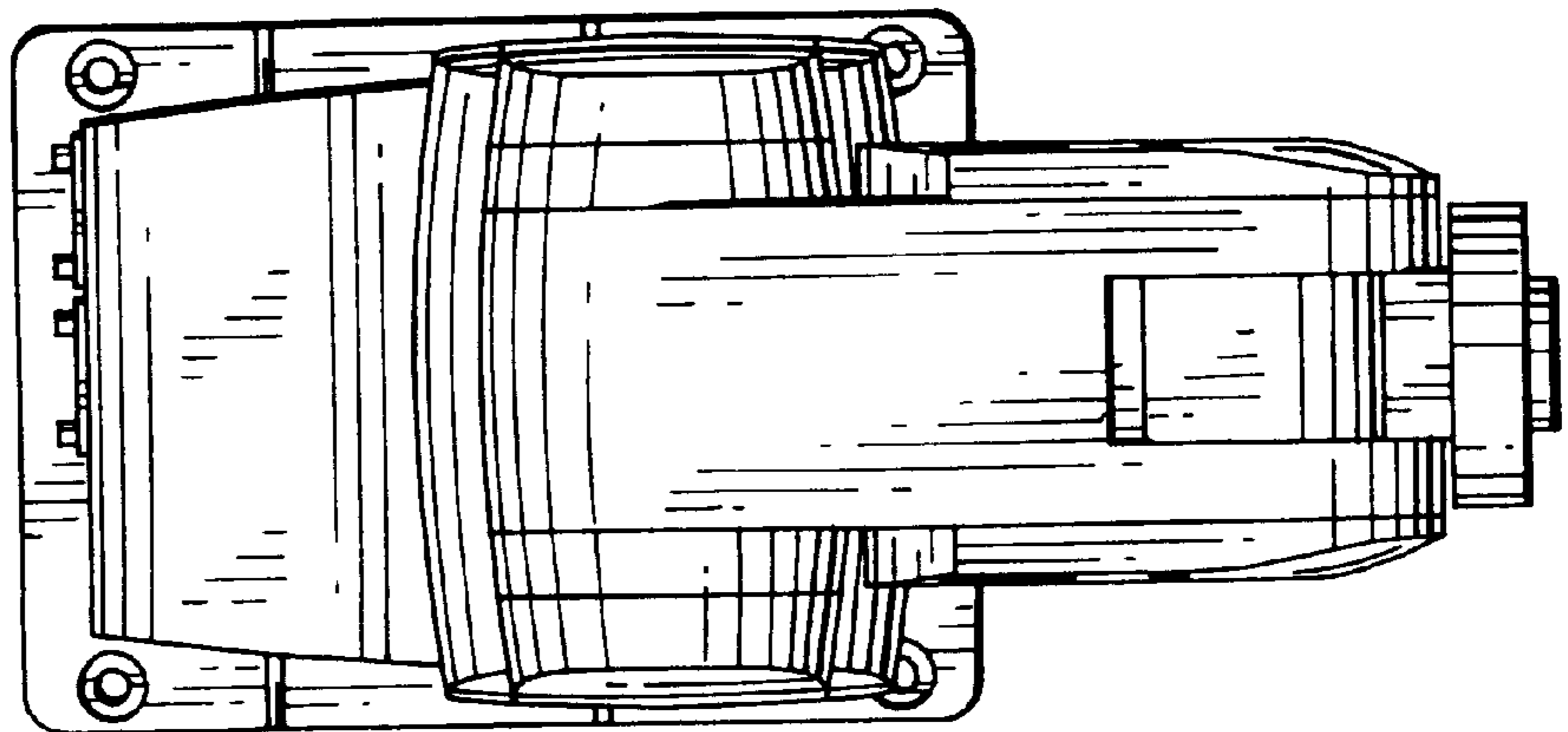


FIG. 7

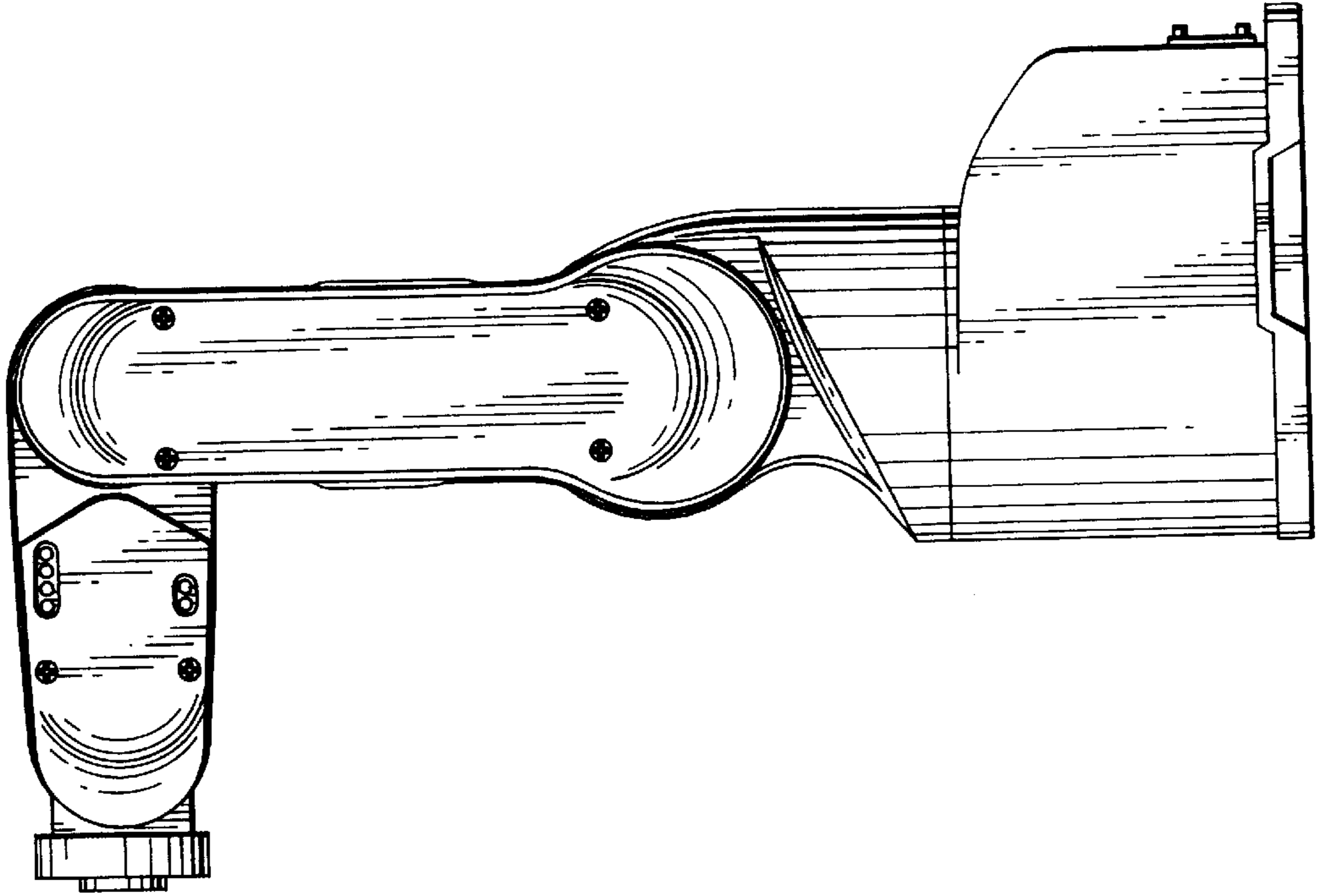


FIG. 6

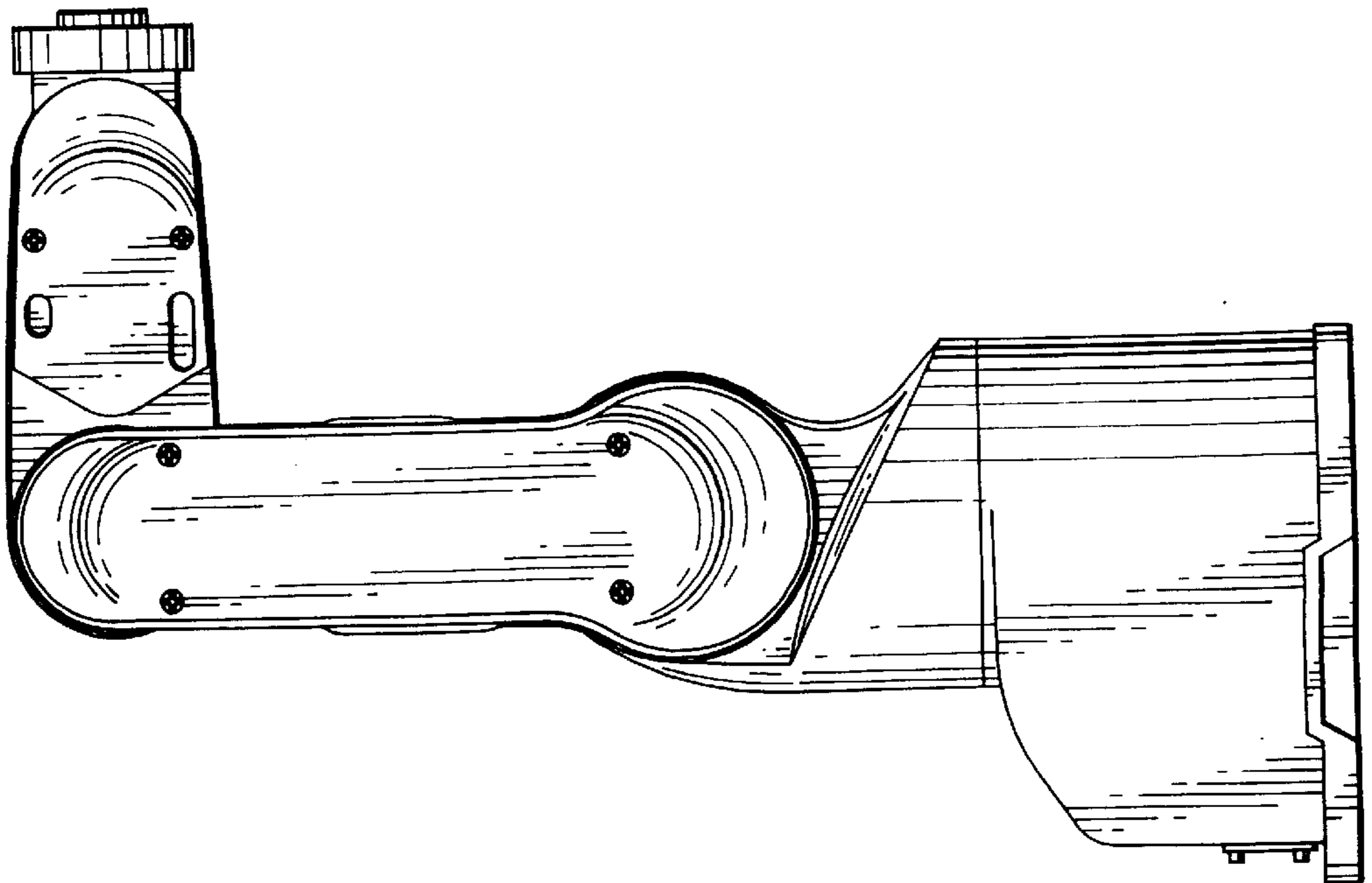


FIG. 8

