



US00D443286S

(12) **United States Design Patent**
Simko

(10) **Patent No.:** **US D443,286 S**

(45) **Date of Patent:** **** Jun. 5, 2001**

(54) **LADLE COVER**

(75) Inventor: **Dan Simko**, Hobart, IN (US)

(73) Assignee: **Simko & Sons Industrial Refractories, INC**, East Chicago, IN (US)

(**) Term: **14 Years**

(21) Appl. No.: **29/125,239**

(22) Filed: **Jun. 21, 2000**

(51) **LOC (7) Cl.** **05-09**

(52) **U.S. Cl.** **D15/144.1**

(58) **Field of Search** D15/199, 144.1, D15/144.2; 266/275, 286, 287, 283

(56) **References Cited**

U.S. PATENT DOCUMENTS

D. 340,466 * 10/1993 Simko D15/144.1
5,234,660 * 8/1993 Simko 266/286

* cited by examiner

Primary Examiner—Antoine Duval Davis
(74) *Attorney, Agent, or Firm*—Richard G. Kinney

(57) **CLAIM**

The ornamental design for a ladle cover, as shown and described.

DESCRIPTION

FIG. 1 is a perspective view of a ladle cover draped over the opening of a molten steel or iron ladle which is turned to one side. The ladle is shown in broken lines and is depicted to show the environment of use of the cover. The cover is made in accordance with the principles of the present inventive design. The cover's major surface is a fabric formed of woven metal wires.

FIG. 2 is a front elevational view of the ladle cover of FIG. 1.

FIG. 3 is a rear elevational view of the ladle cover of FIGS. 1 and 2.

FIG. 4 is a top view of the ladle cover of FIGS. 1-3.

FIG. 5 is a left side view of the ladle cover of FIGS. 1-4.

FIG. 6 is a right side view of the ladle cover of FIGS. 1-5.

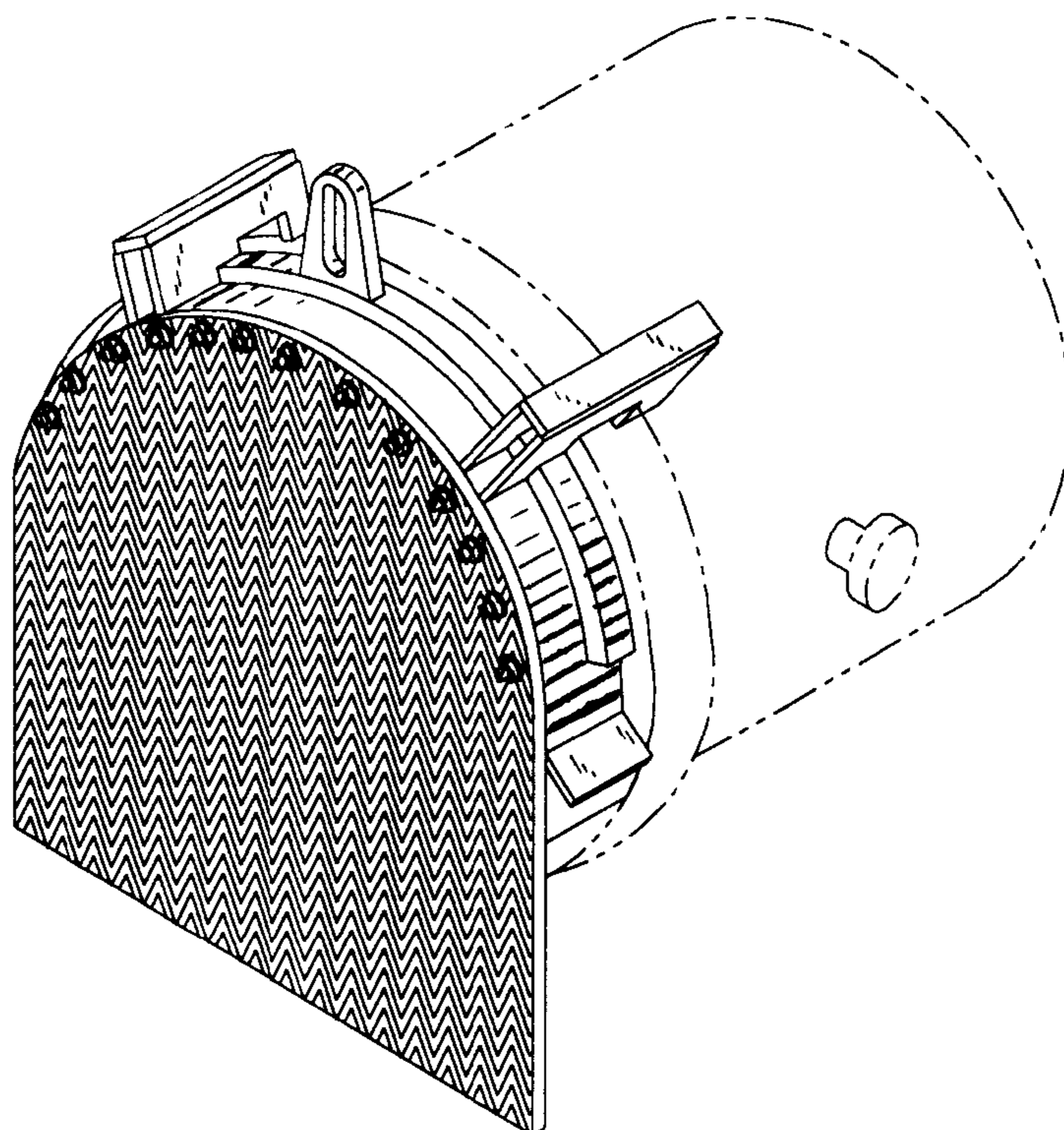
FIG. 7 is a bottom view of the ladle cover of FIGS. 1-6.

FIG. 8 is a detailed view of the woven metal wire fabric shown of FIGS. 1 to 7, partly broken away and on an enlarged scale compared to FIGS. 1 to 7 so as to better depict the appearance of the fabric and thus the appearance of the ladle cover of FIGS. 1-7.

FIG. 9 is a detailed side view of the wire fabric of FIG. 8; and,

FIG. 10 is a top view of the wire fabric of FIGS. 8 and 9. The woven metal wire fabric of FIGS. 8, 9 and 10 is not, by itself, the present inventive design and no claim is made to its appearance per se.

1 Claim, 3 Drawing Sheets



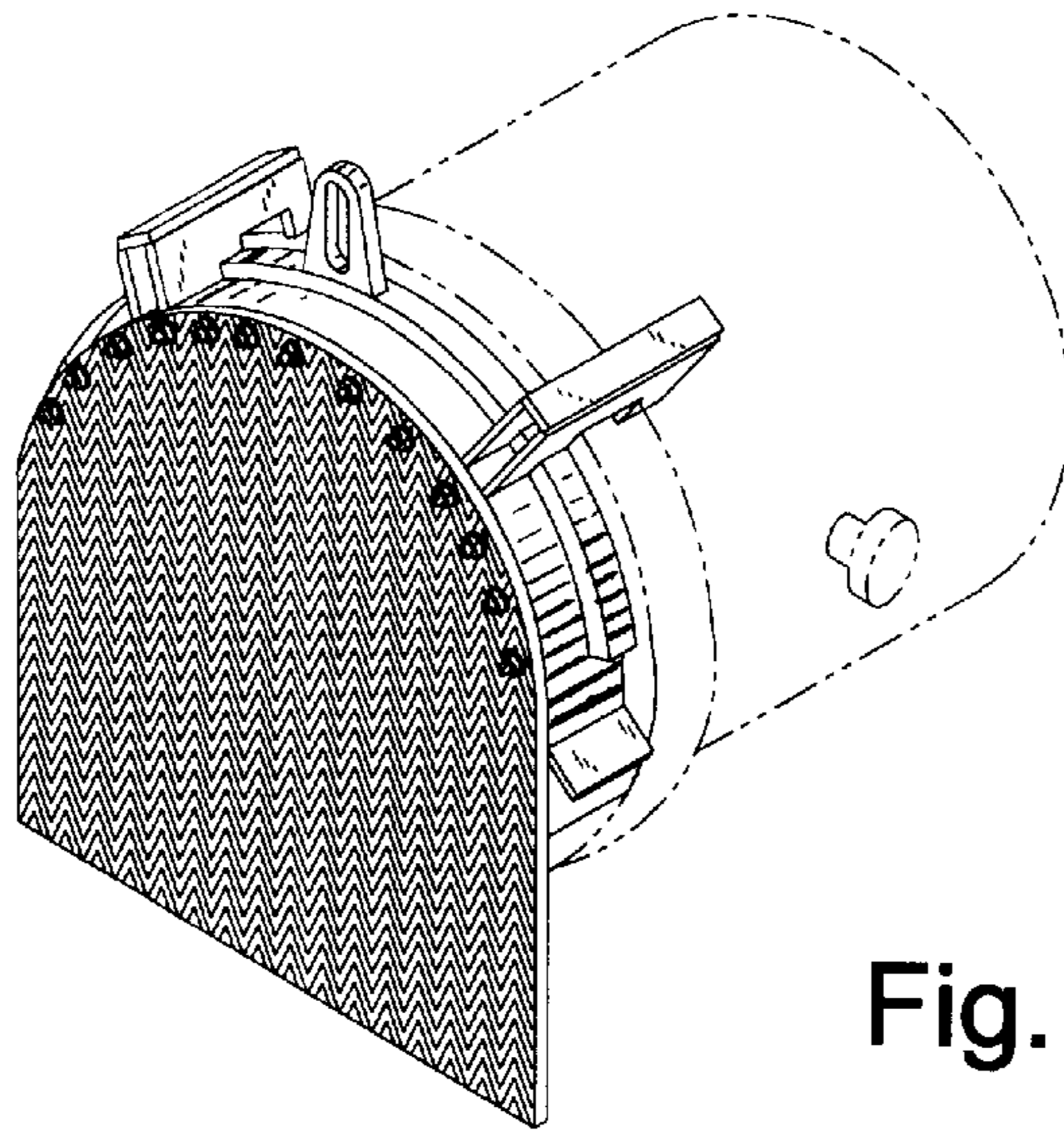


Fig. 1

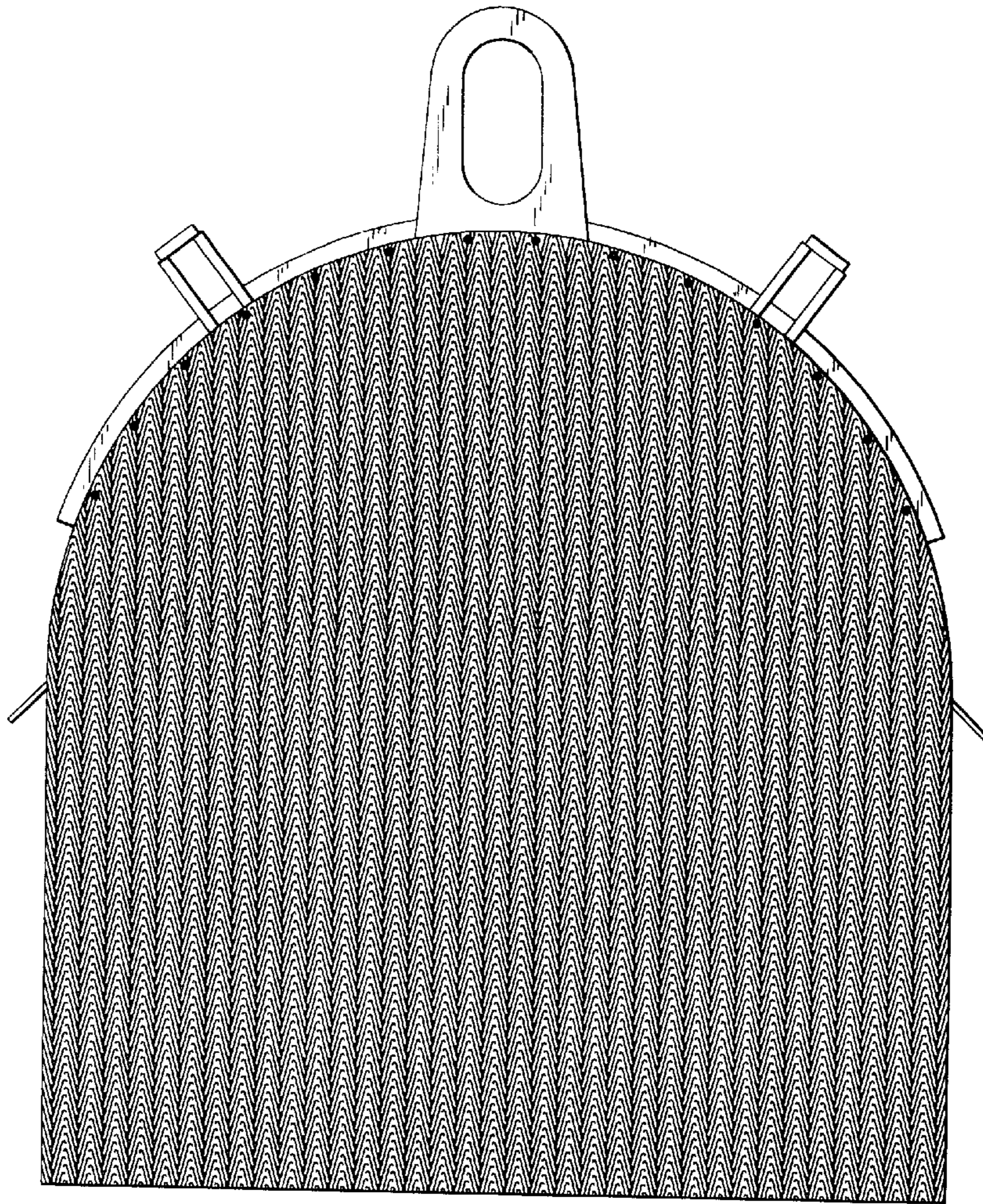


Fig. 2

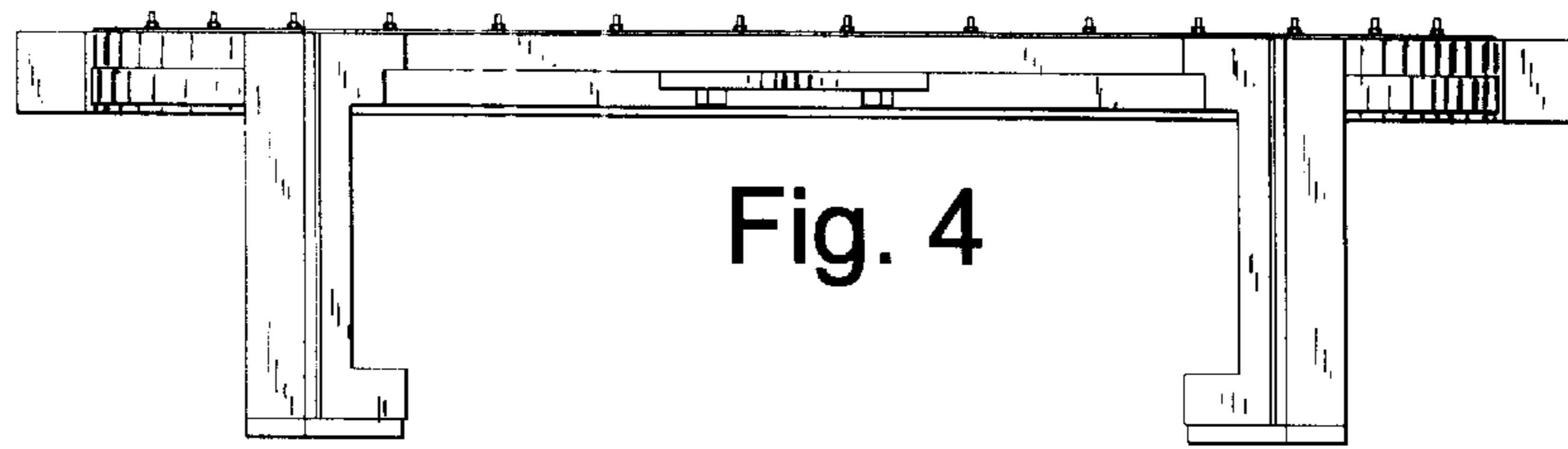


Fig. 4

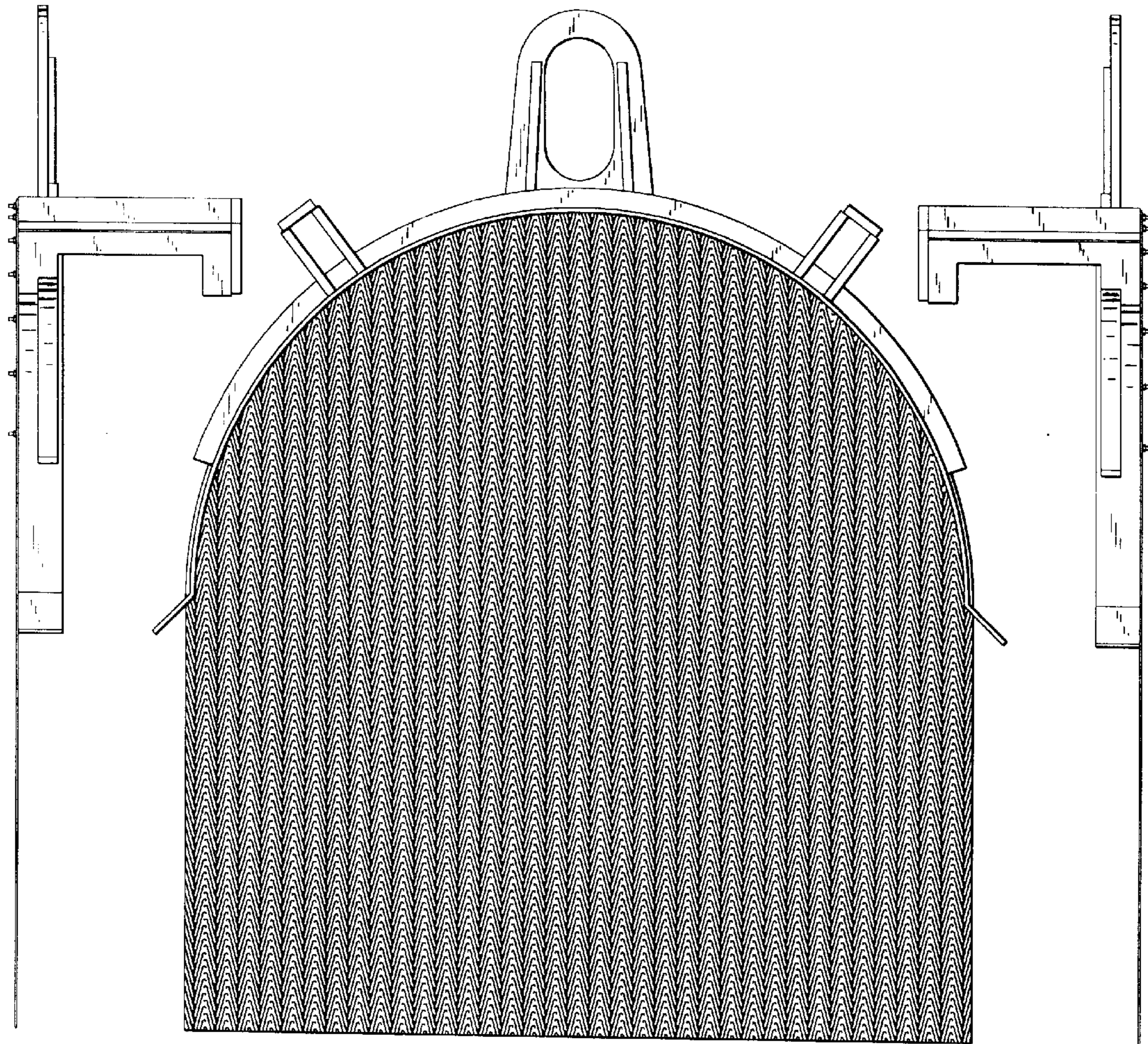


Fig. 5

Fig. 3

Fig. 6



Fig. 7

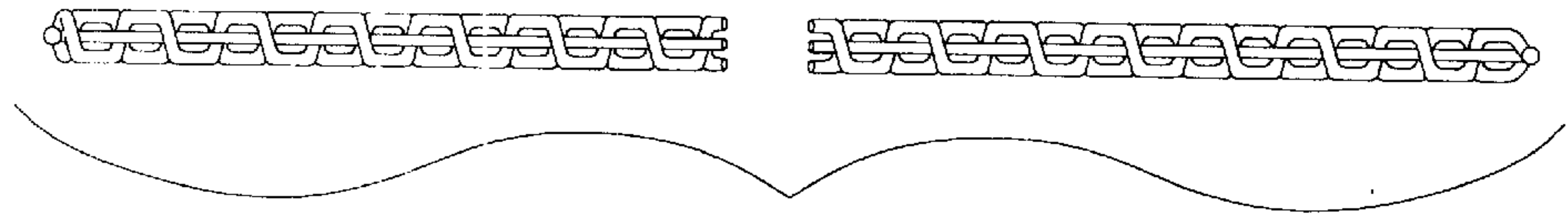


Fig. 10

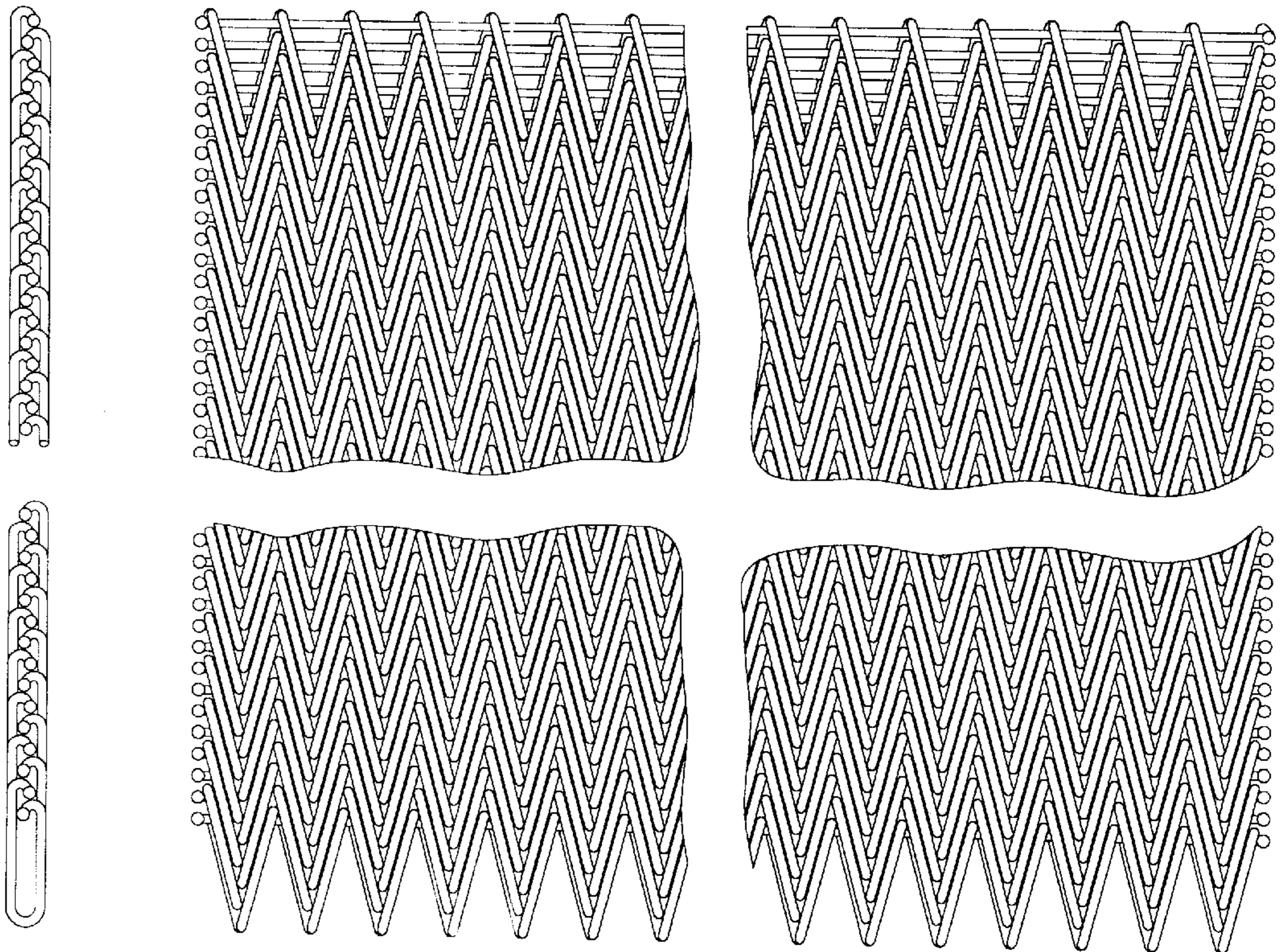


Fig. 9

Fig. 8