



US00D443283S

(12) **United States Design Patent**
Lin Ku

(10) **Patent No.:** **US D443,283 S**

(45) **Date of Patent:** **** Jun. 5, 2001**

(54) **BELT SANDER**

(75) Inventor: **Jung-Mei Lin Ku, Tse-Chiang Sheng**
(CN)

(73) Assignee: **Ningbo Dai Ton Machinery Ind. Co., Ltd.** (CN)

(**) Term: **14 Years**

(21) Appl. No.: **29/124,716**

(22) Filed: **Jun. 9, 2000**

(51) **LOC (7) Cl.** **15-09**

(52) **U.S. Cl.** **D15/124**

(58) **Field of Search** D15/124; 451/310,
451/360, 65, 297, 311

(56) **References Cited**

U.S. PATENT DOCUMENTS

D. 285,929 * 9/1986 Cheng D15/124

D. 341,844 * 11/1993 Arehart D15/124

D. 421,445 * 3/2000 Huang D15/124
5,168,656 * 12/1992 Jolly et al. D15/124 X

* cited by examiner

Primary Examiner—Antoine Duval Davis

(74) *Attorney, Agent, or Firm*—Brooks & Kushman P.C.

(57) **CLAIM**

The ornamental design for belt sander, as shown and described.

DESCRIPTION

FIG. 1 is a perspective view of belt sander showing my new design;

FIG. 2 is a front elevational view thereof;

FIG. 3 is a rear elevational view thereof;

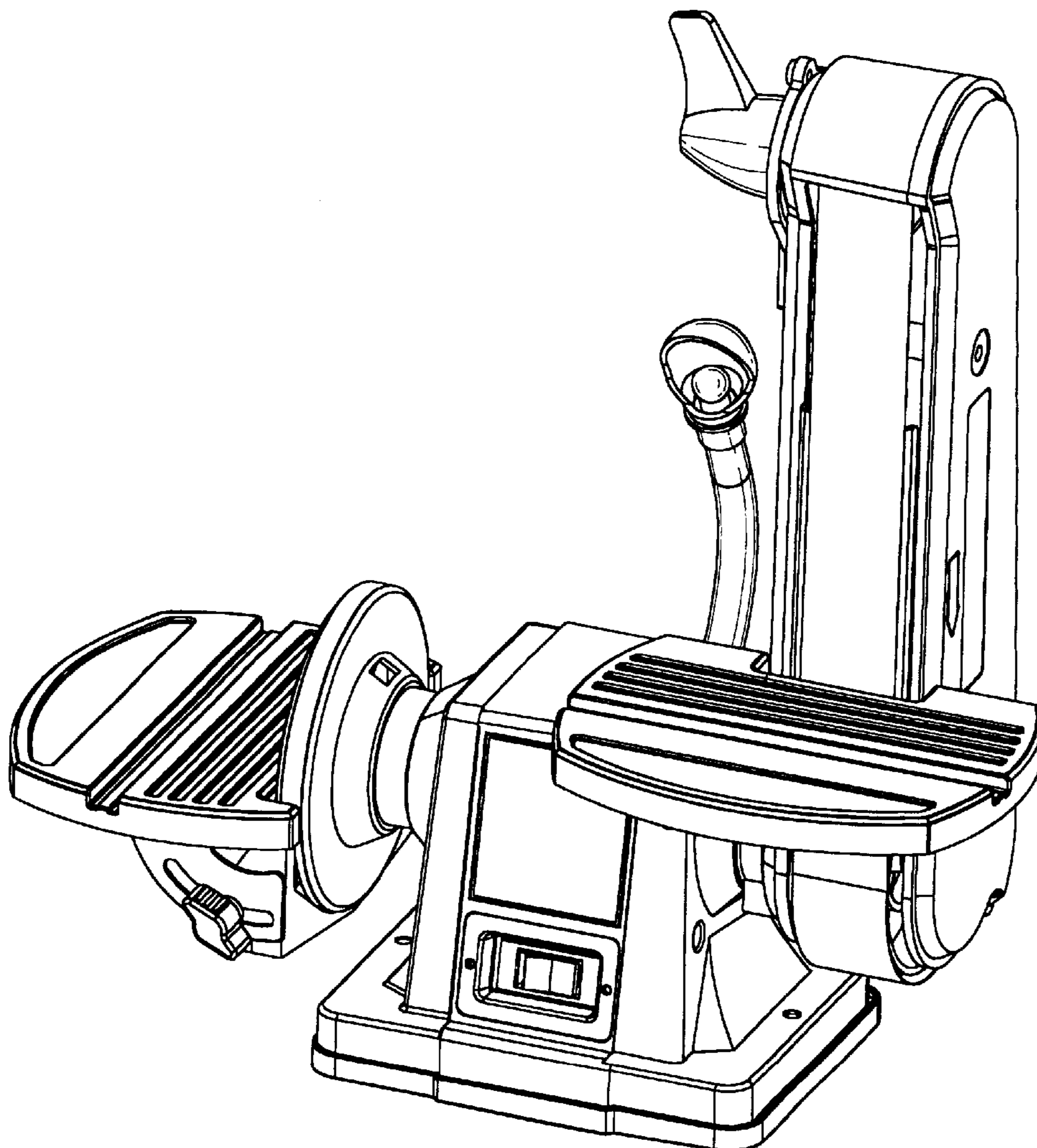
FIG. 4 is a left side elevational view thereof;

FIG. 5 is a right side elevational view thereof;

FIG. 6 is a top plan view thereof; and,

FIG. 7 is a bottom plan view thereof.

1 Claim, 7 Drawing Sheets



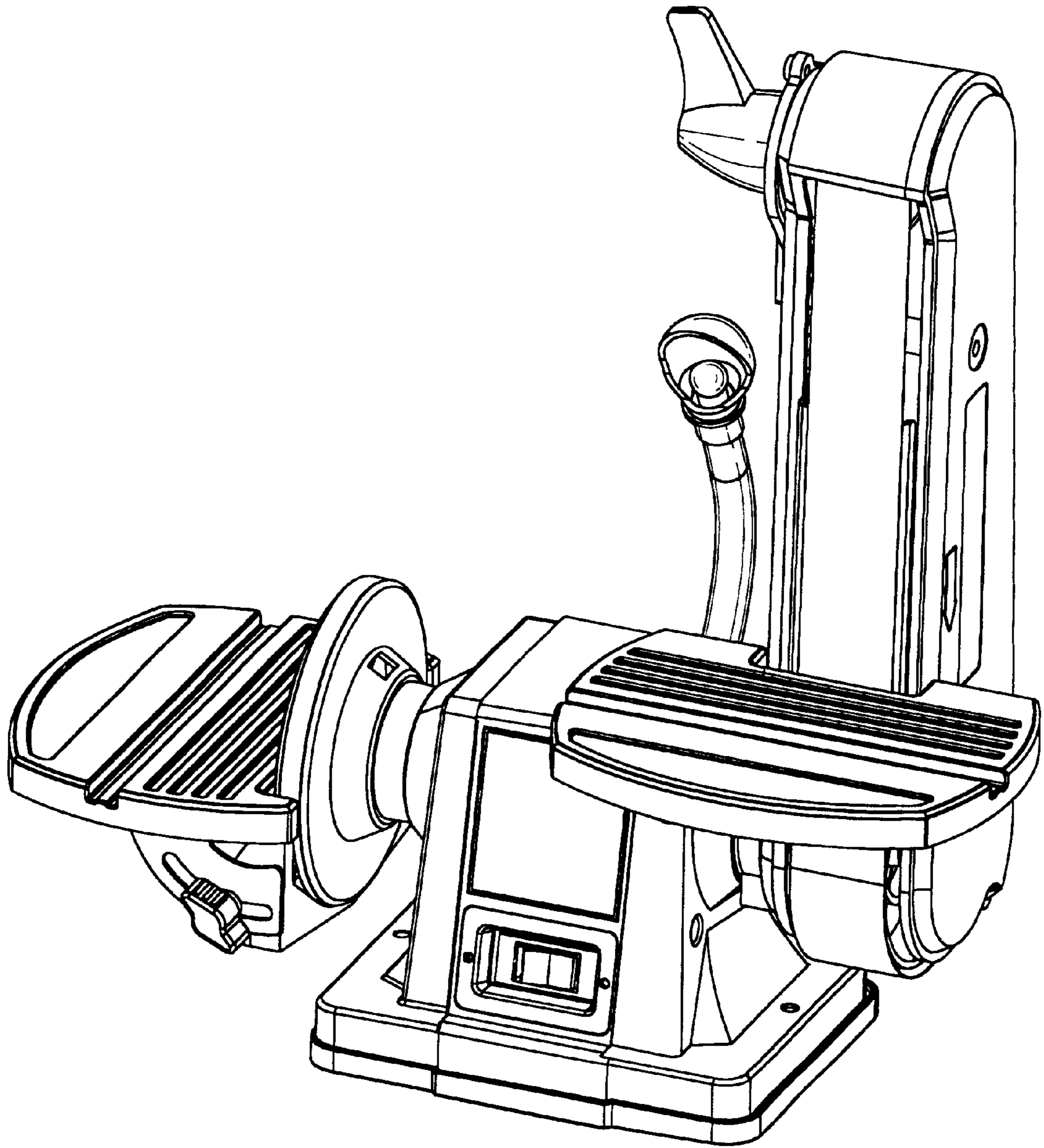


FIG. 1

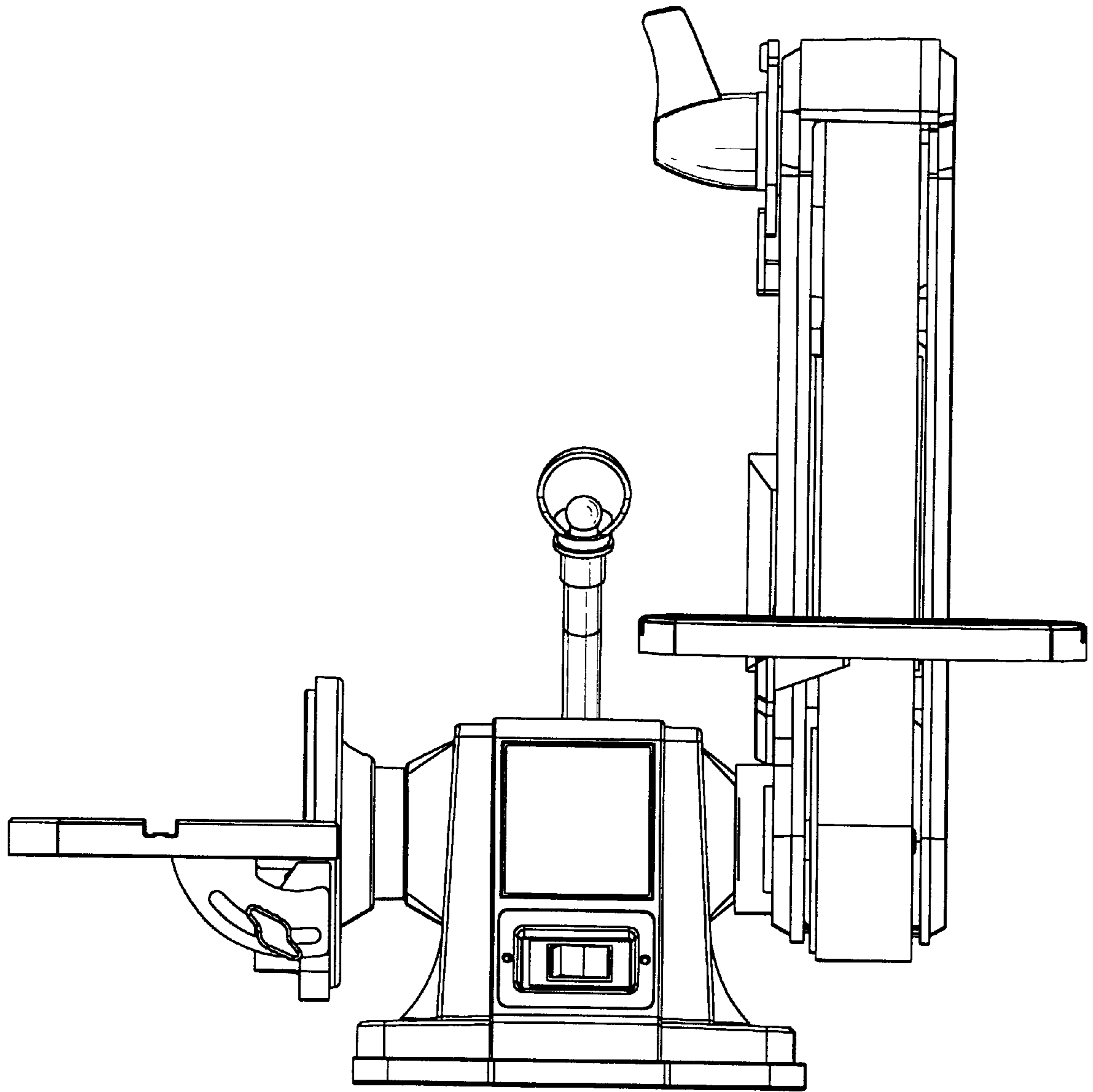


FIG. 2

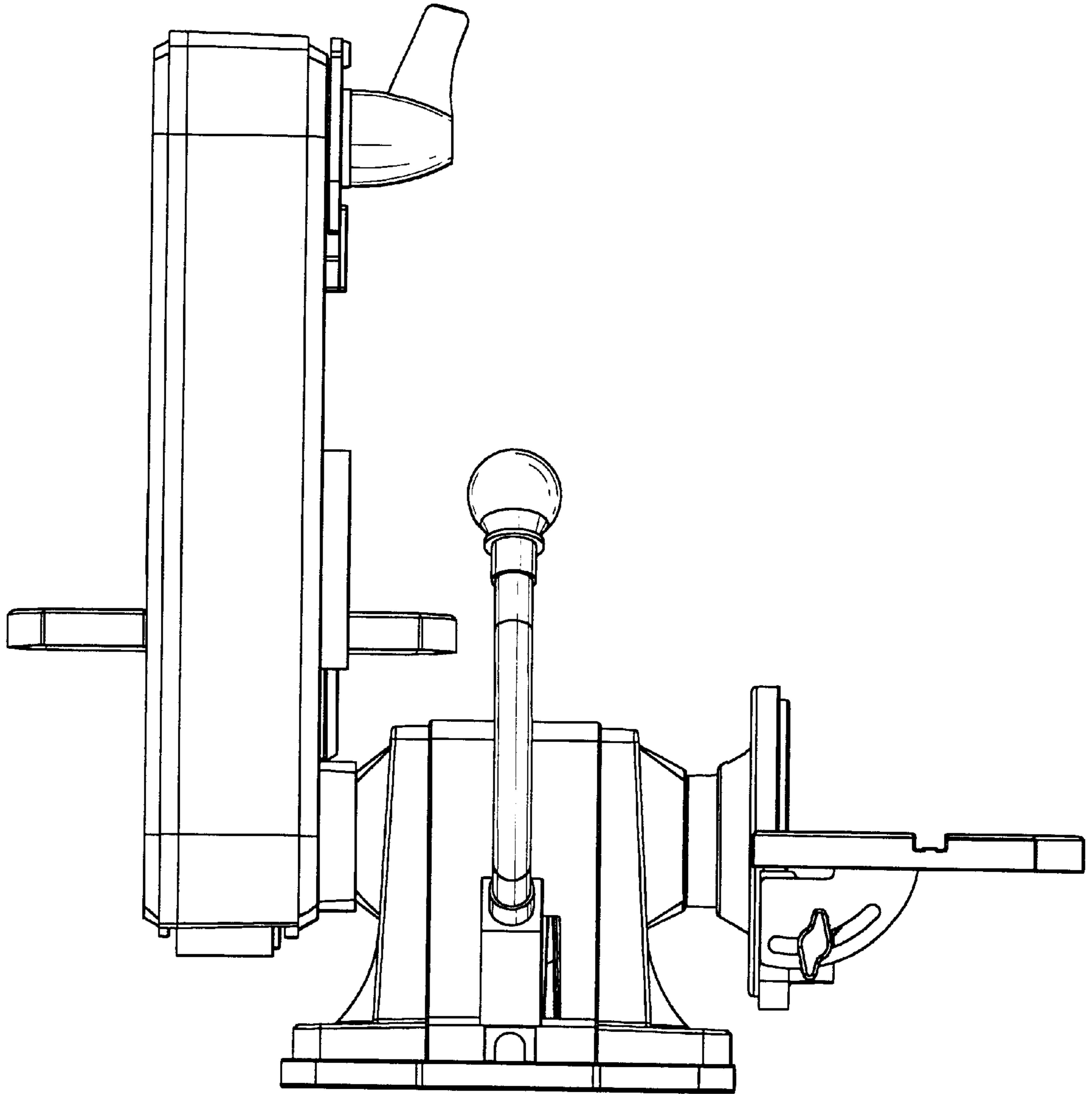


FIG. 3

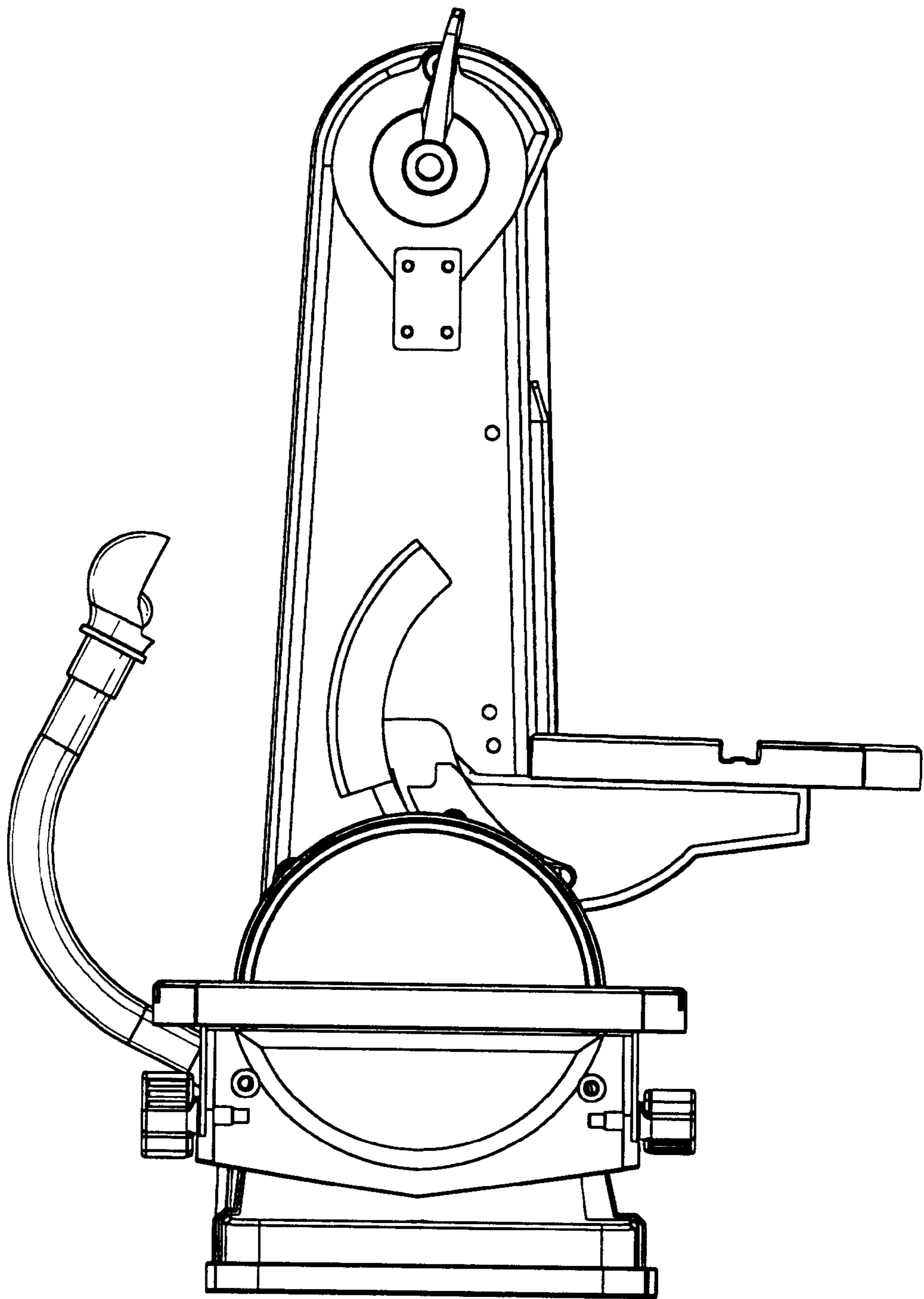


FIG. 4

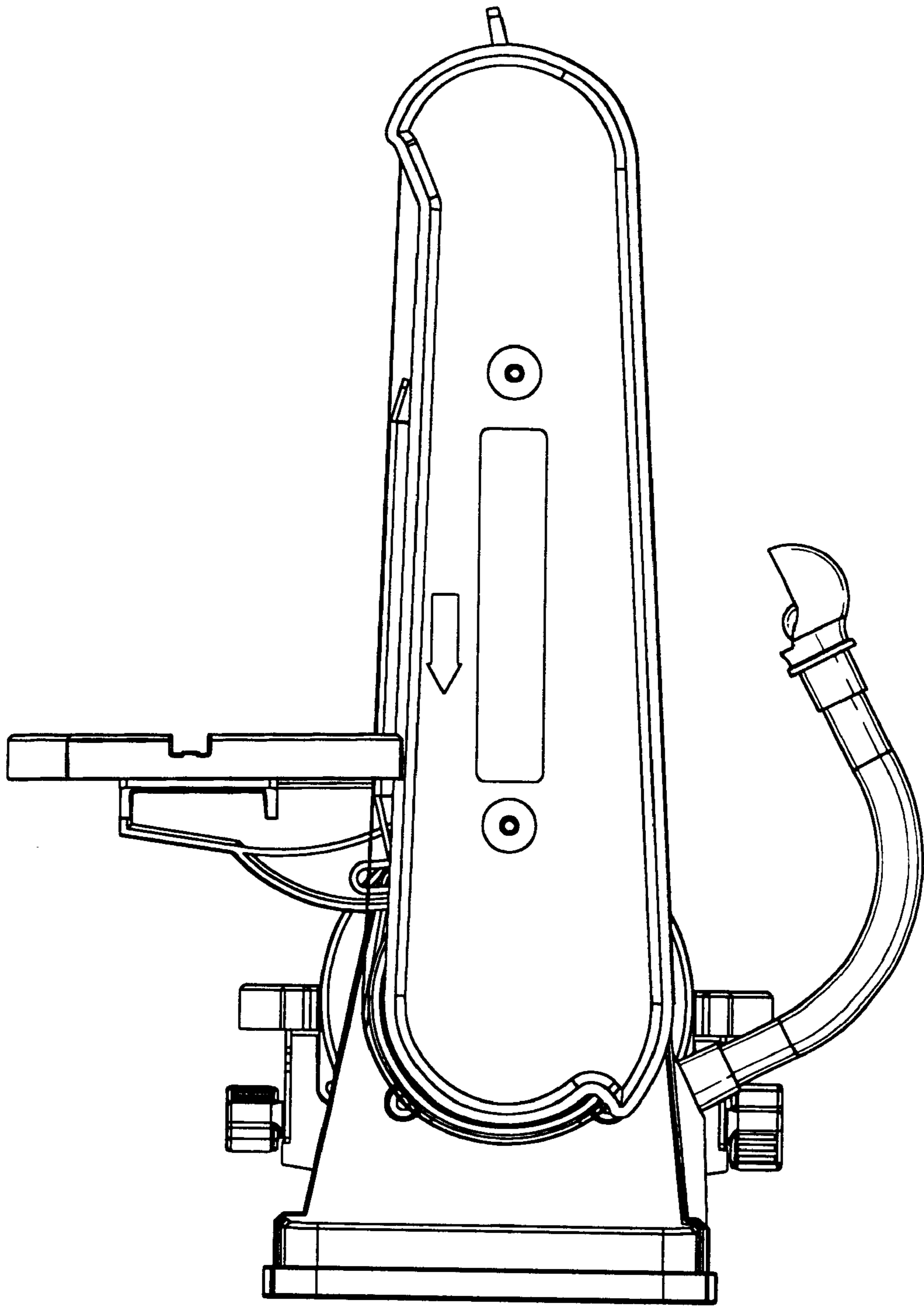


FIG. 5

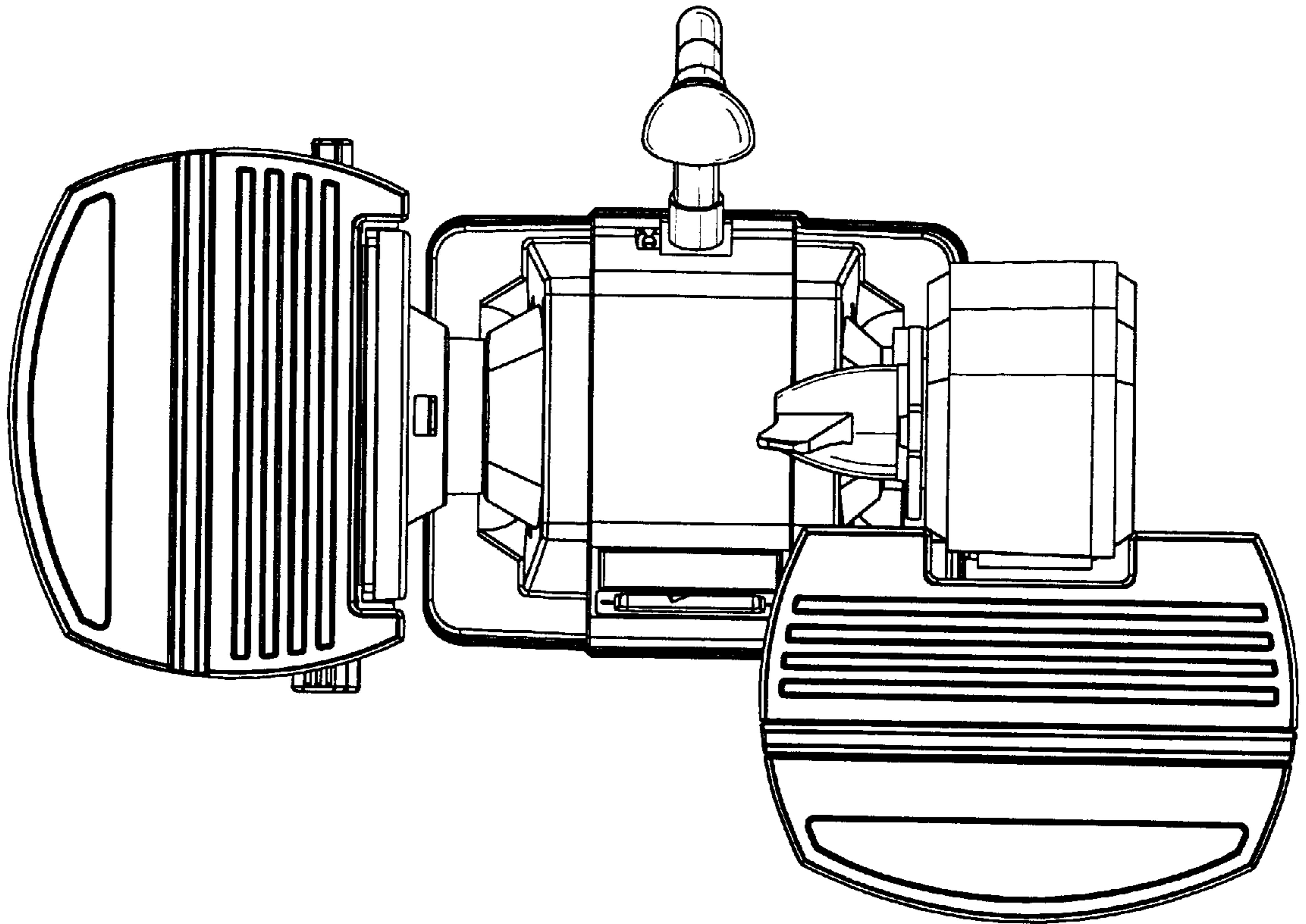


FIG. 6

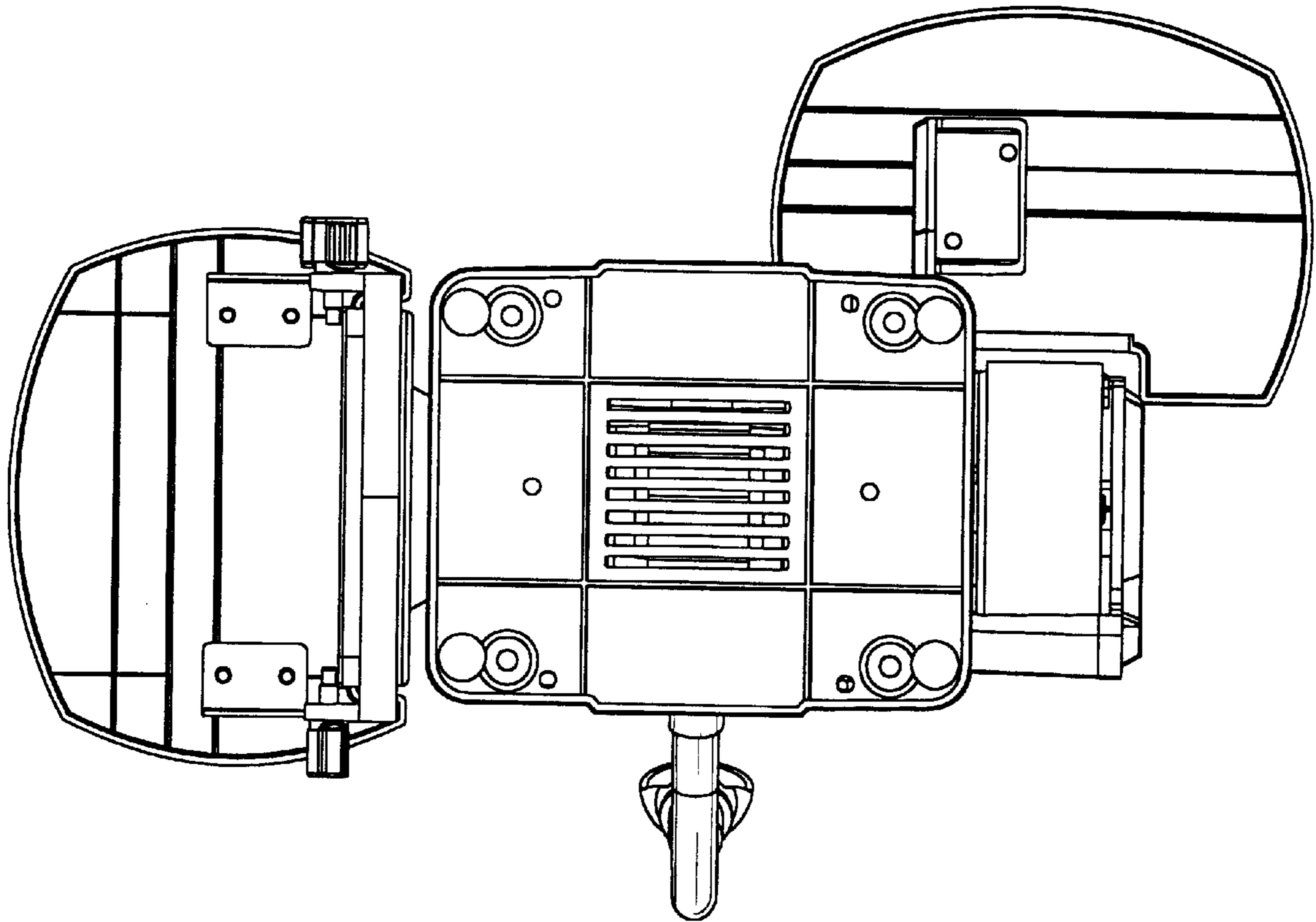


FIG. 7