



US00D443282S

(12) **United States Design Patent**
Tsai

(10) **Patent No.:** **US D443,282 S**

(45) **Date of Patent:** **** Jun. 5, 2001**

(54) **PUMP**

(76) Inventor: **Long-Po Tsai**, 4Fl., No. 46, Lane 50,
Ming-Tsu Rd., Chu-Wei Li, Tan-Shui
Chen, Taipei Hsien (TW)

(**) Term: **14 Years**

(21) Appl. No.: **29/129,936**

(22) Filed: **Sep. 25, 2000**

(51) **LOC (7) Cl.** **15-02**

(52) **U.S. Cl.** **D15/7**

(58) **Field of Search** D15/7-9; 417/234,
417/449, 360, 362, 375, 376, 423.3, 909;
132/899.4, 565.18; 92/58.1; 119/76

(56) **References Cited**

U.S. PATENT DOCUMENTS

- D. 307,017 * 4/1990 Polk et al. D15/7
- D. 377,967 * 2/1997 Rozek et al. D15/9
- D. 379,996 * 6/1997 Leu et al. D15/9

- D. 382,883 * 8/1997 Breitzman et al. D15/9
- D. 412,174 * 7/1999 Faulkner et al. D15/9
- D. 422,602 * 4/2000 Poon D15/7

* cited by examiner

Primary Examiner—Ralf Seifert

(74) *Attorney, Agent, or Firm*—William E. Pelton, Esq.

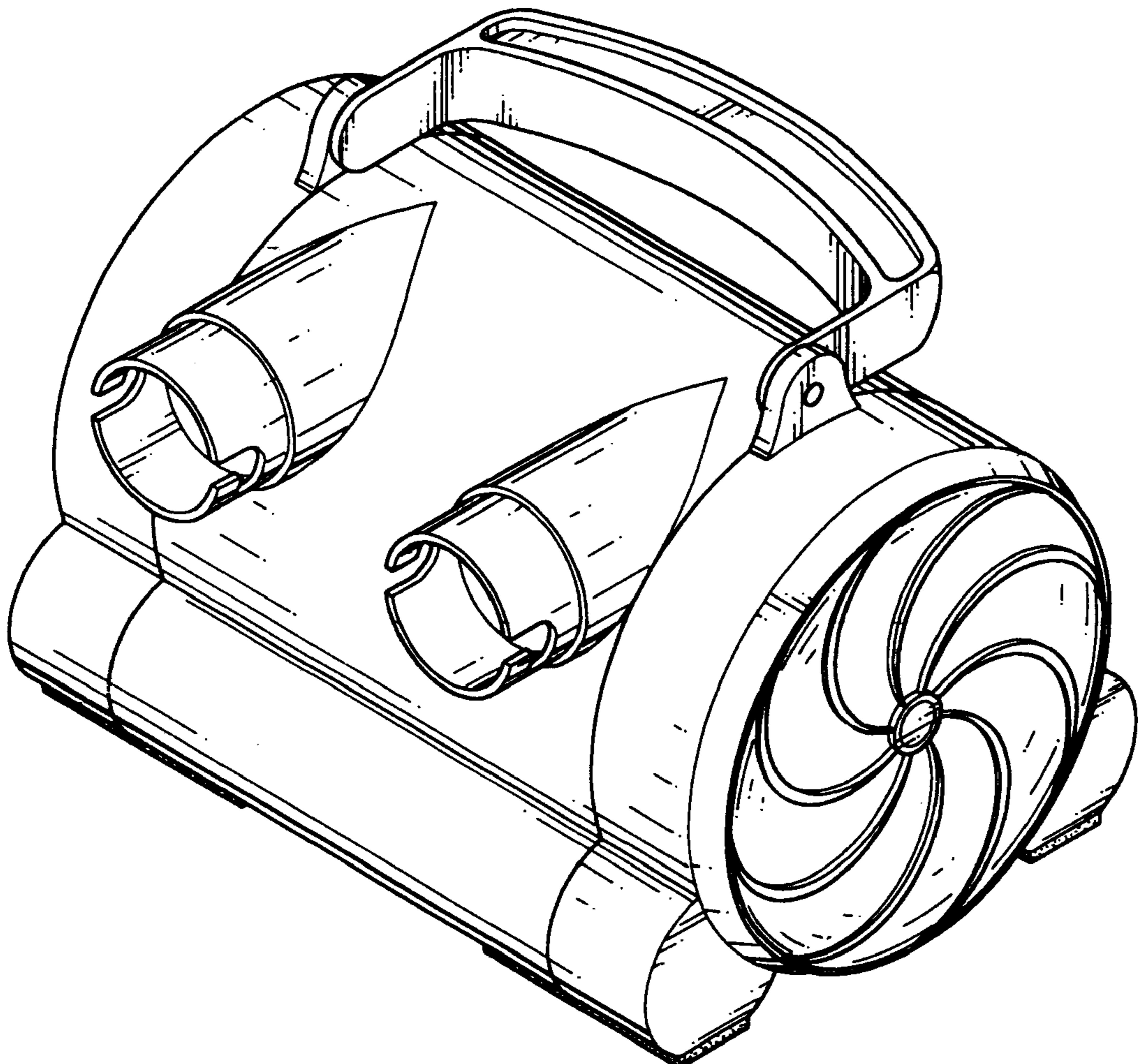
(57) **CLAIM**

The ornamental design for a pump, as shown.

DESCRIPTION

FIG. 1 is a perspective view of a pump, showing my new design;
 FIG. 2 is a front elevational view thereof;
 FIG. 3 is a rear elevational view thereof;
 FIG. 4 is a left elevational view thereof;
 FIG. 5 is a right elevational view thereof;
 FIG. 6 is top plan view thereof; and,
 FIG. 7 is a bottom plan view thereof.

1 Claim, 4 Drawing Sheets



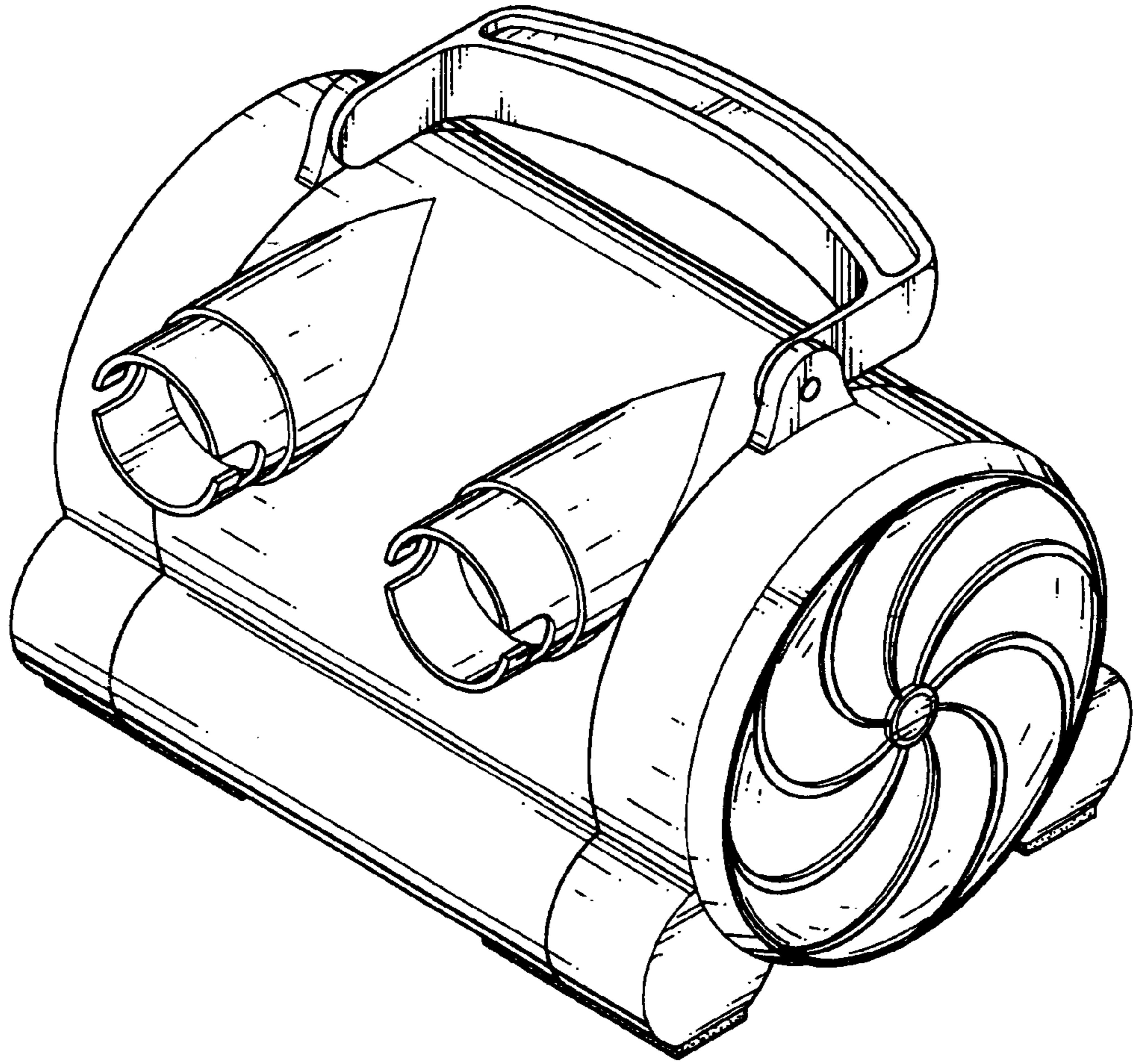


FIG. 1

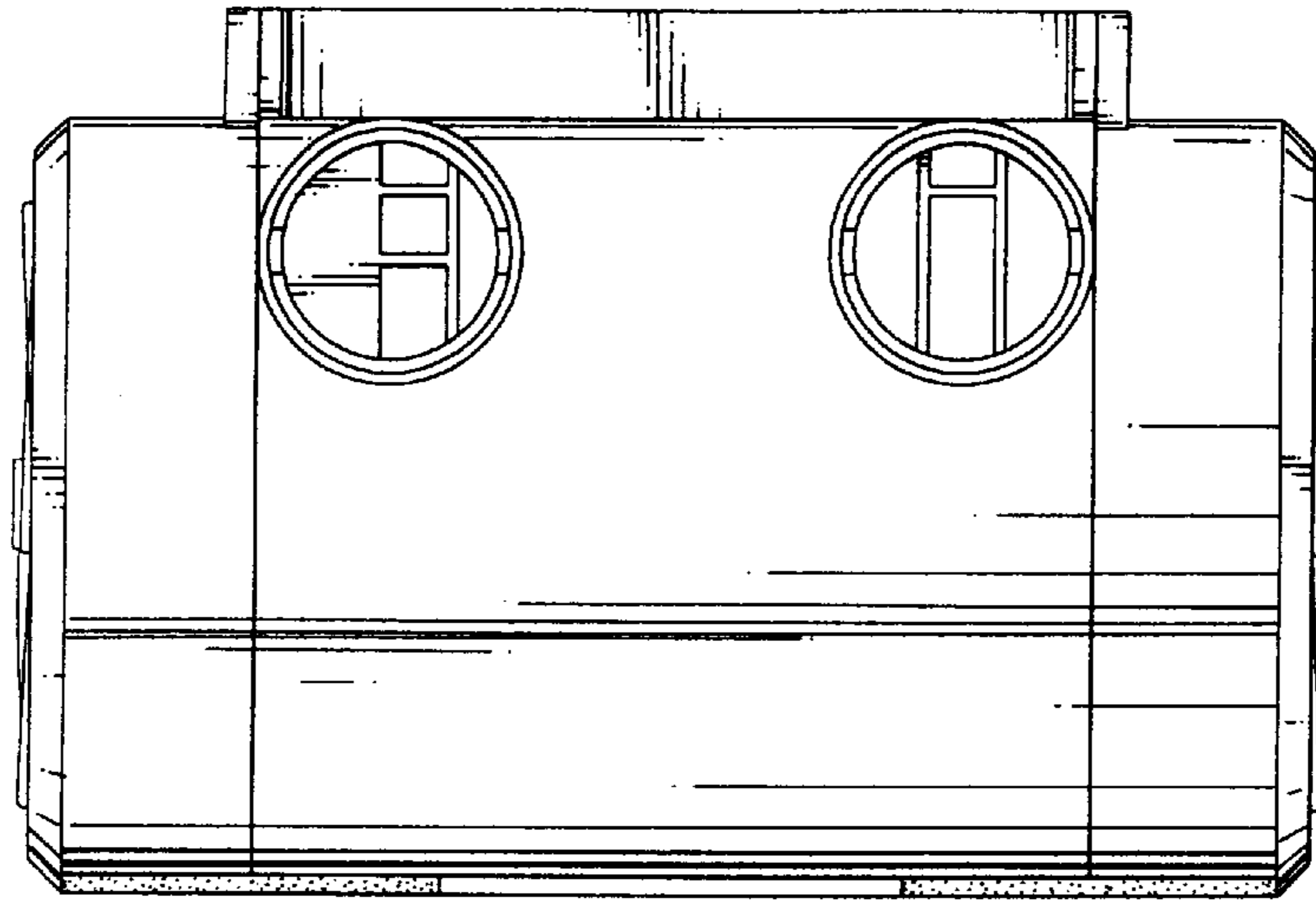


FIG. 2

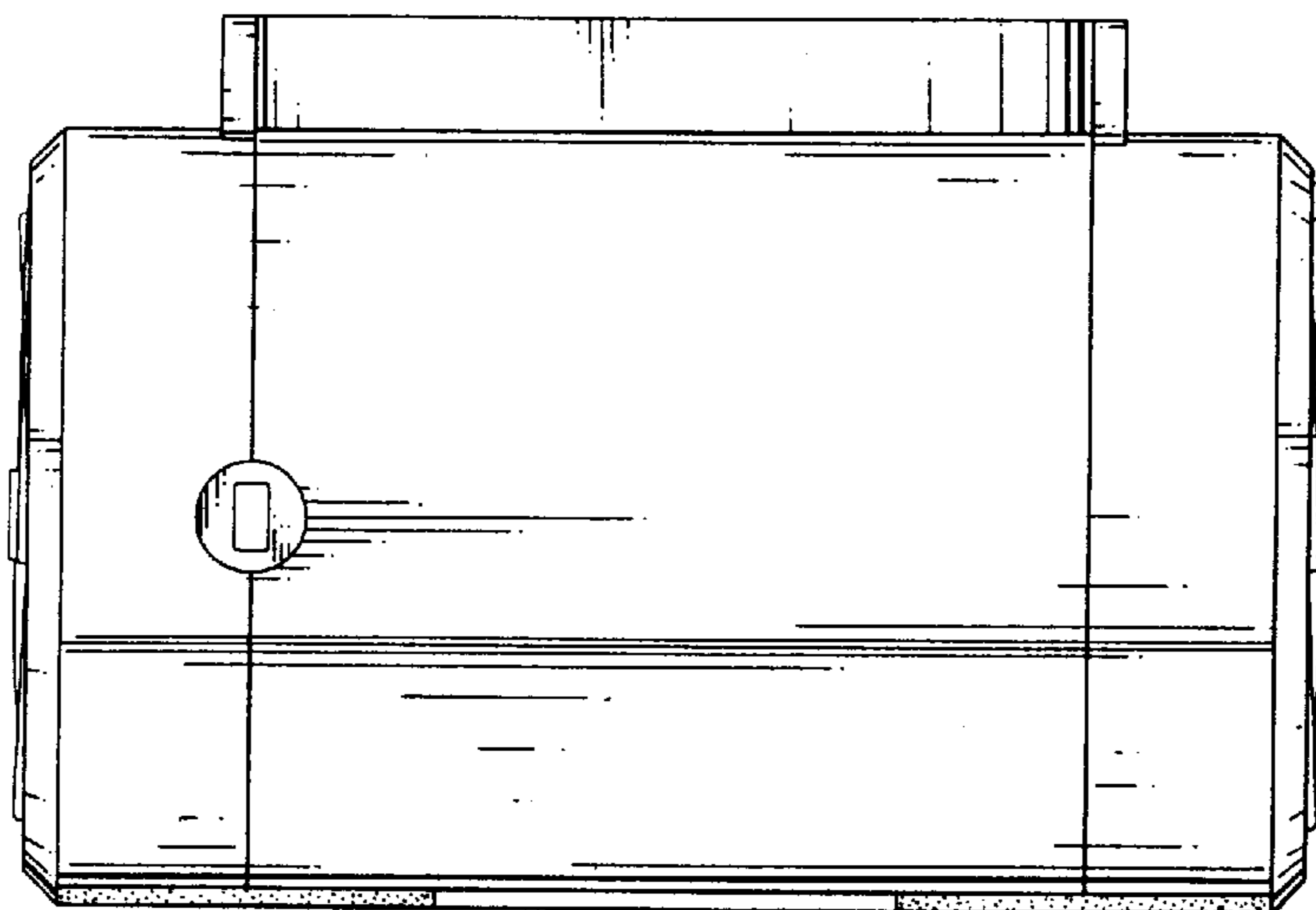


FIG. 3

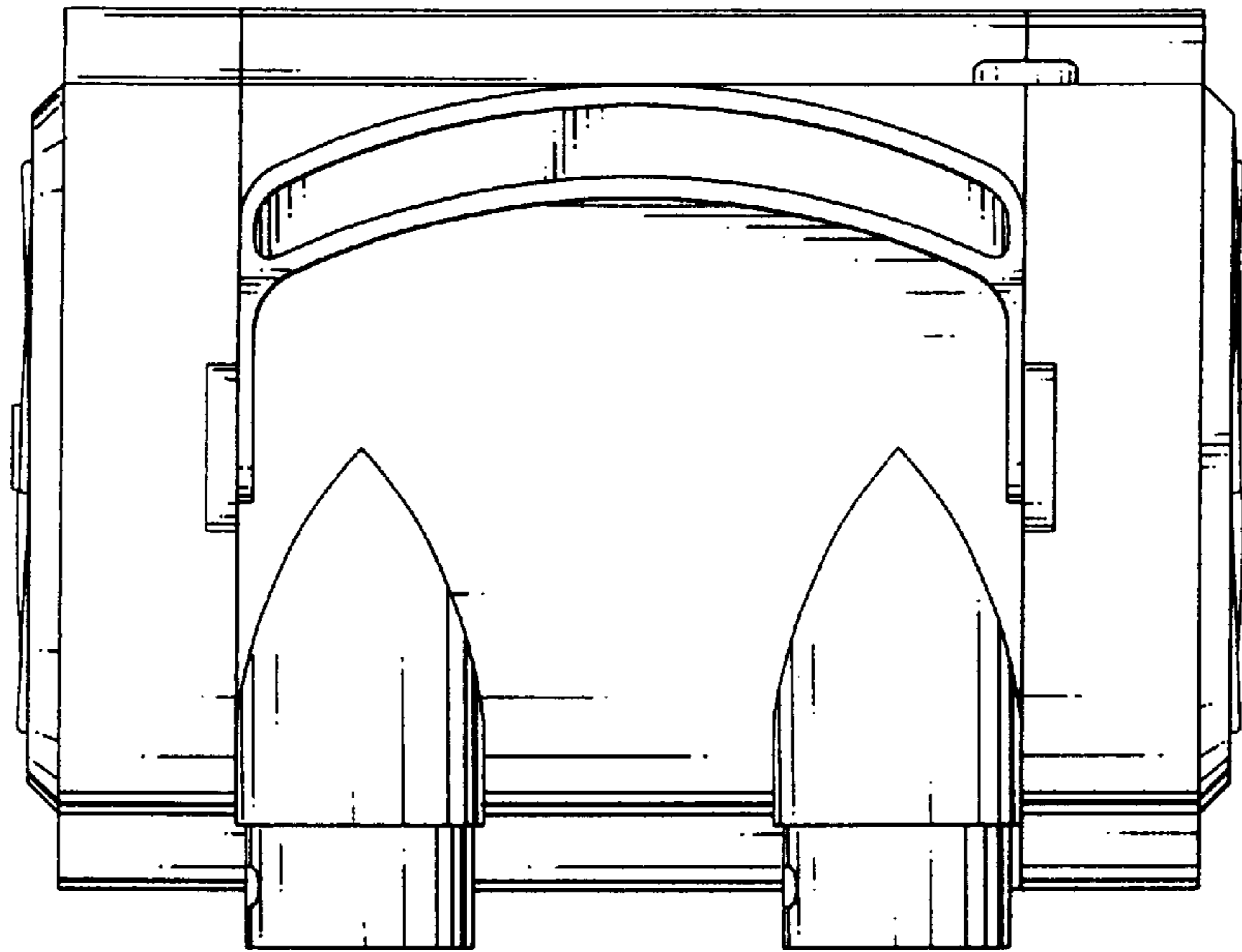


FIG. 4

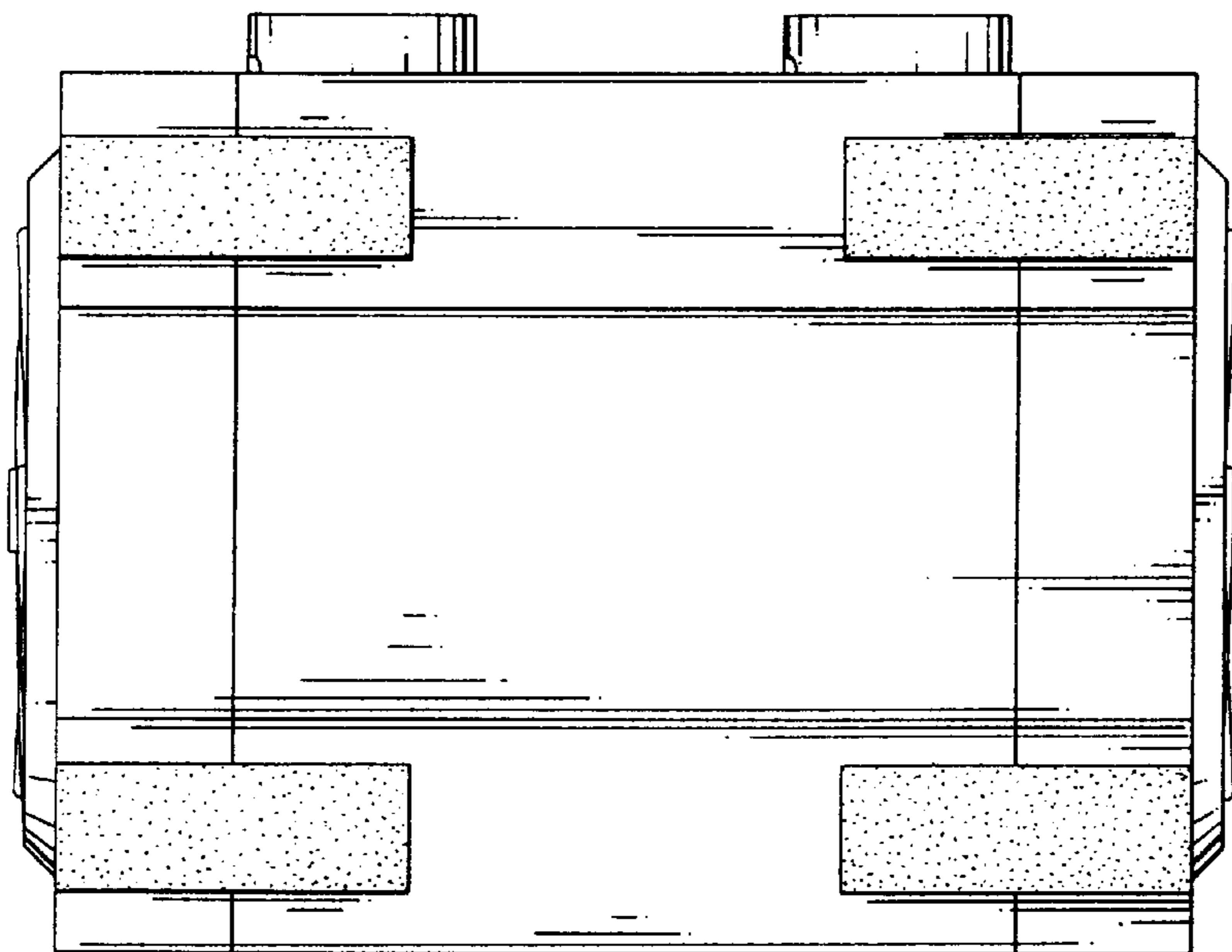


FIG. 5

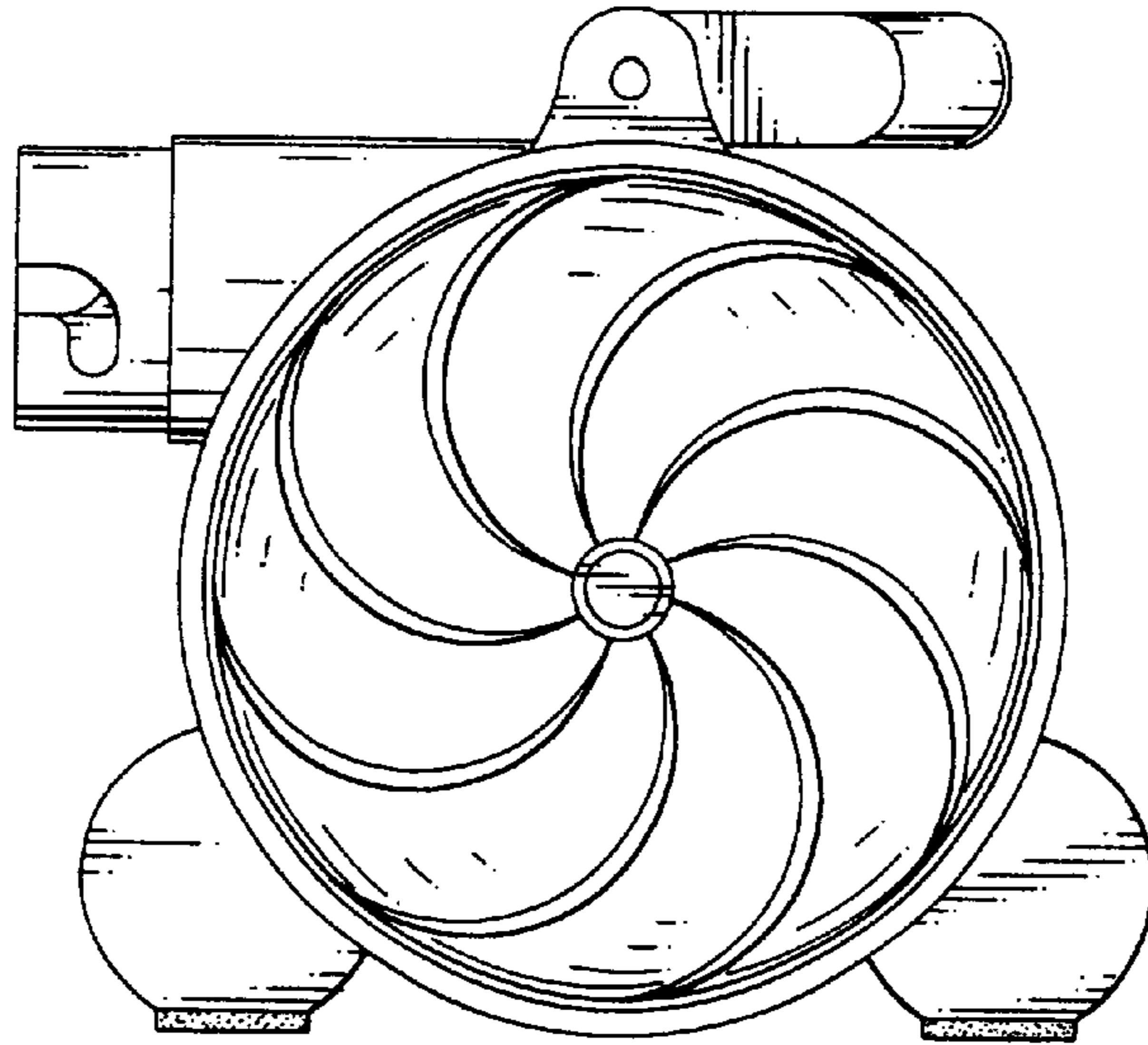


FIG. 6

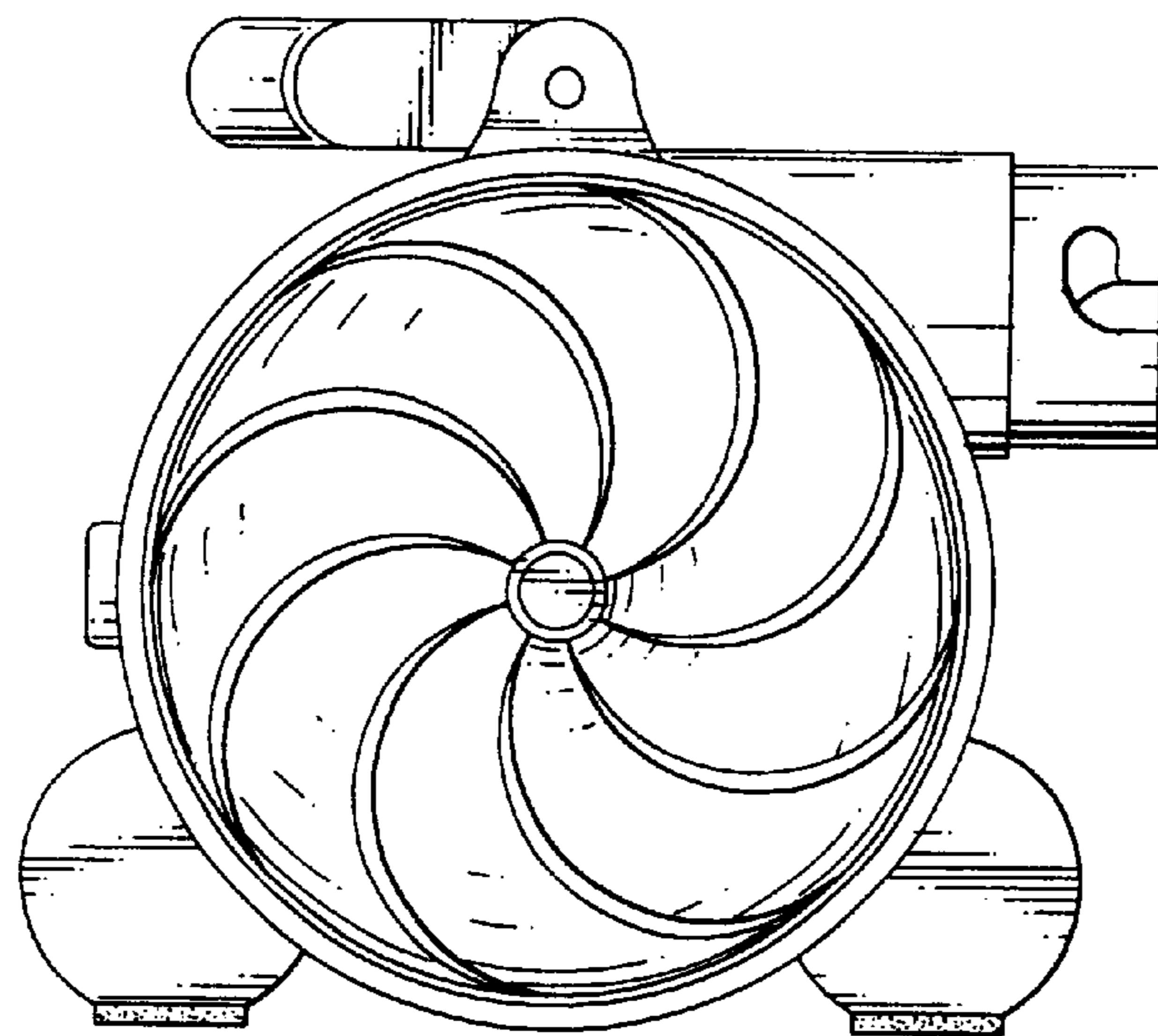


FIG. 7