



US00D443280S

(12) **United States Design Patent**  
**Shimizu**

(10) **Patent No.:** **US D443,280 S**

(45) **Date of Patent:** **\*\* Jun. 5, 2001**

(54) **INTERNAL COMBUSTION ENGINE**

D. 414,498 \* 9/1999 Yoshida ..... D15/1  
D. 421,024 \* 2/2000 Katoh ..... D15/1

(75) **Inventor:** **Hirohide Shimizu, Tsurugashima (JP)**

**FOREIGN PATENT DOCUMENTS**

(73) **Assignee:** **Honda Giken Kogyo Kabushiki Kaisha, Tokyo (JP)**

833317 6/1994 (JP) .

(\*\*) **Term:** **14 Years**

\* cited by examiner

(21) **Appl. No.:** **29/126,221**

*Primary Examiner*—Melody N. Brown  
(74) *Attorney, Agent, or Firm*—Blank Rome Comisky & McCauley, LLP

(22) **Filed:** **Jul. 13, 2000**

(57) **CLAIM**

(30) **Foreign Application Priority Data**

The ornamental design for an internal combustion engine, as shown and described.

Jan. 17, 2000 (JP) ..... 12-000356

(51) **LOC (7) Cl.** ..... **15-01**

**DESCRIPTION**

(52) **U.S. Cl.** ..... **D15/1**

FIG. 1 is a perspective view of an internal combustion engine showing my design;  
FIG. 2 is a front view thereof;  
FIG. 3 is a rear view thereof;  
FIG. 4 is a top view thereof;  
FIG. 5 is a bottom view thereof;  
FIG. 6 is a side view thereof; and,  
FIG. 7 is an opposite side view thereof.

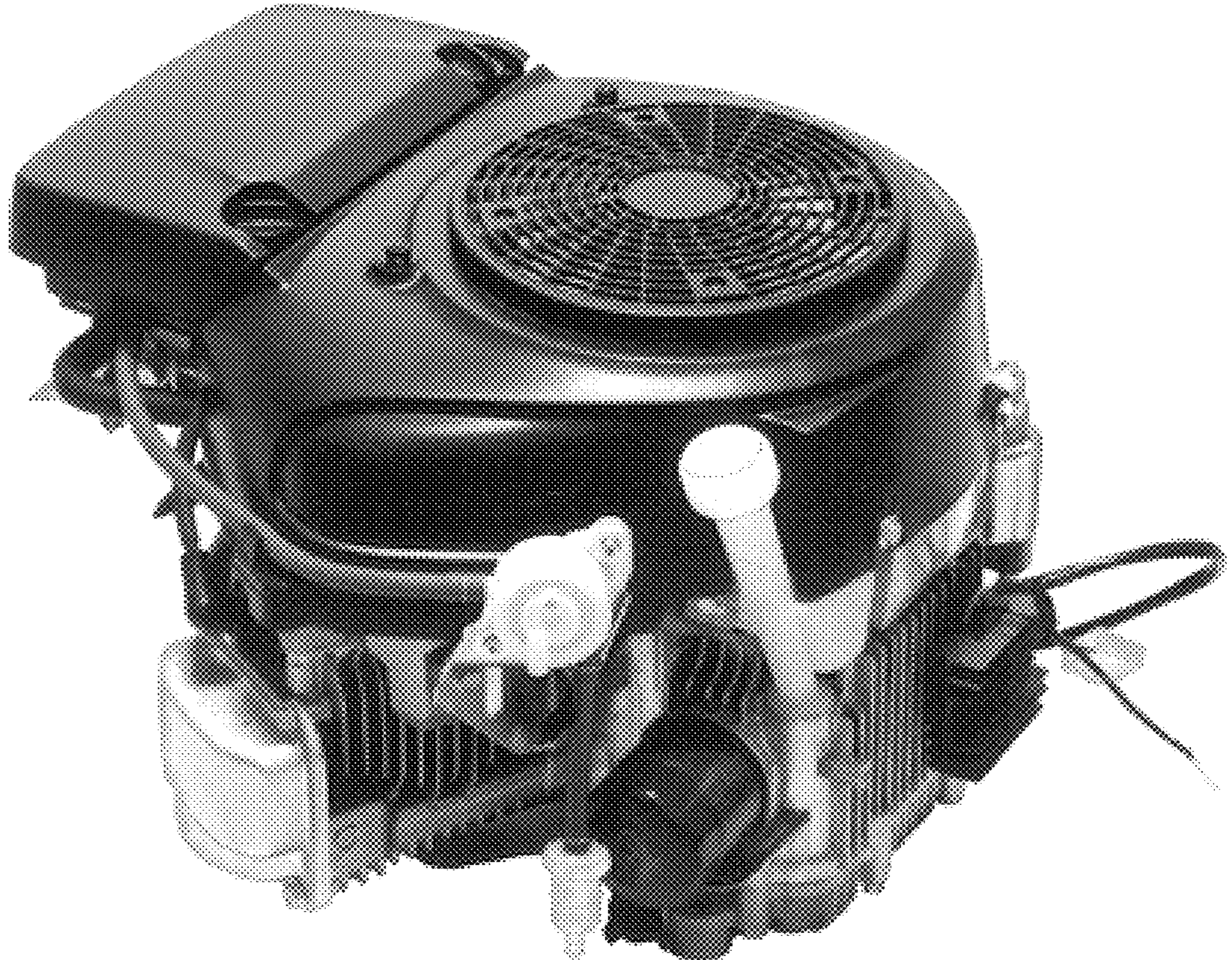
(58) **Field of Search** ..... D15/1, 2; 123/156 BA, 123/56, 306, 308, 50 A, 41.7, 198 E, 661, 667; D34/15; 46/78, 39, 249

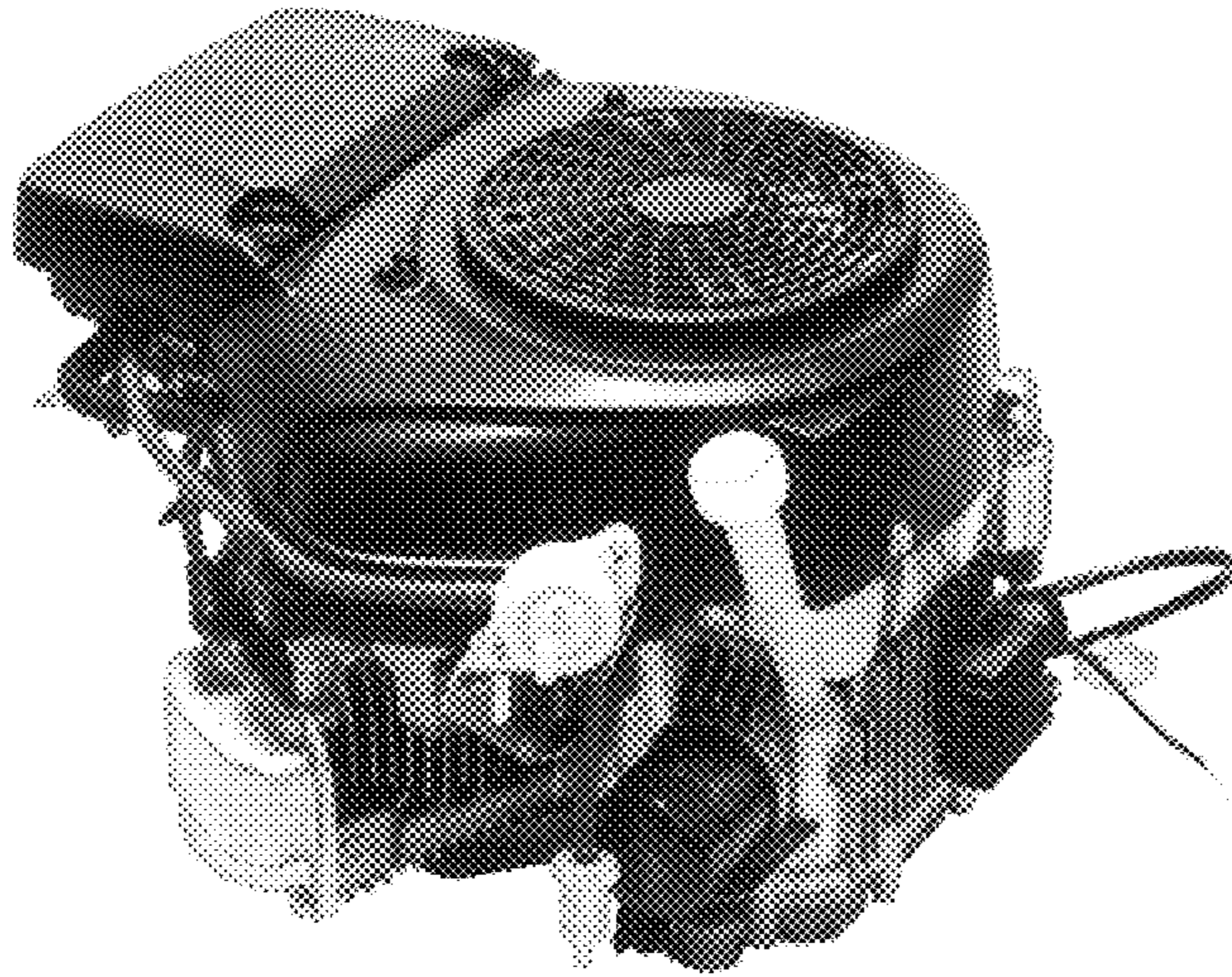
(56) **References Cited**

**U.S. PATENT DOCUMENTS**

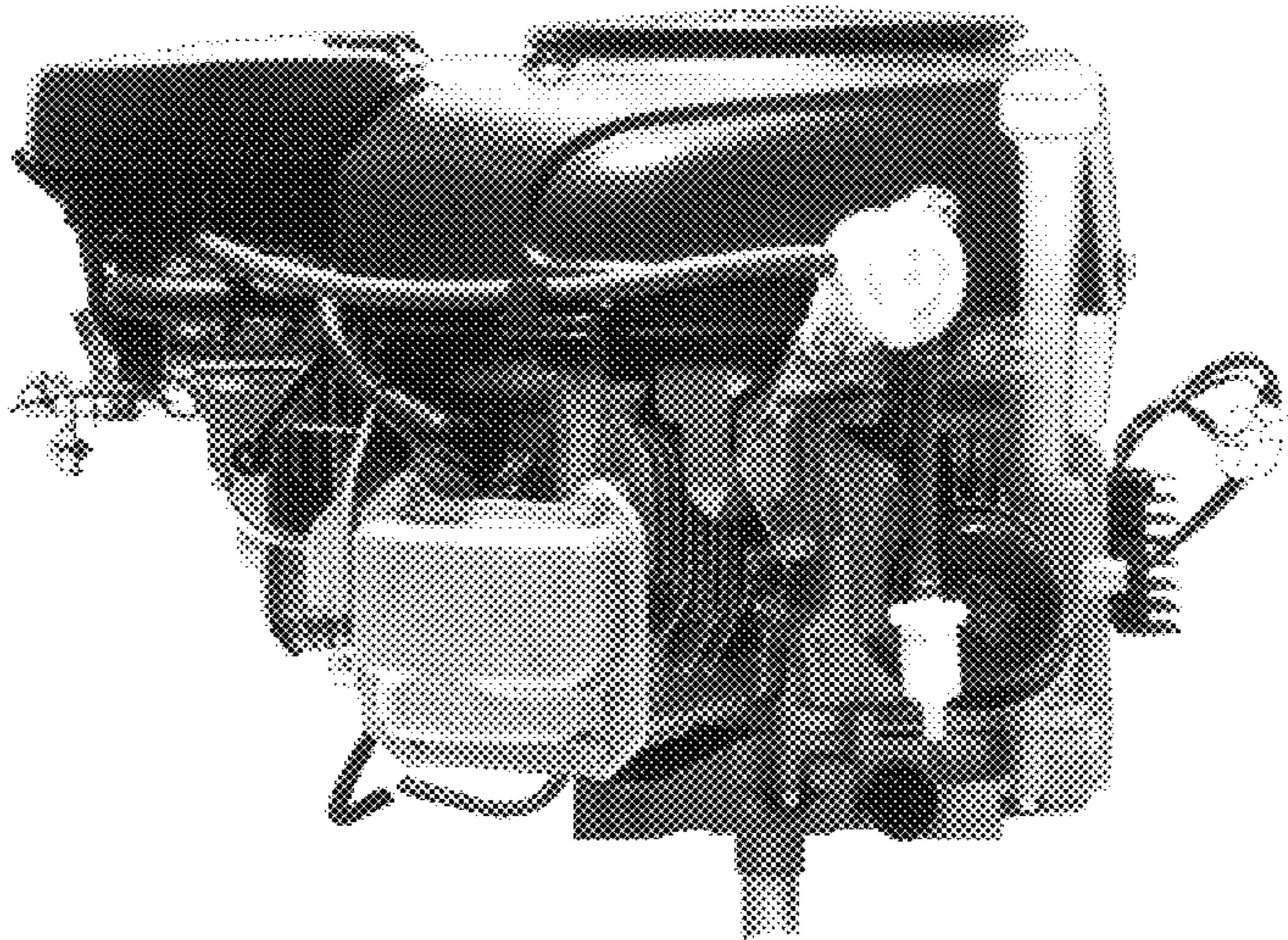
D. 310,373 \* 9/1990 Ishii et al. .... D15/1  
D. 396,045 \* 7/1998 Neeley ..... D15/1

**1 Claim, 3 Drawing Sheets**

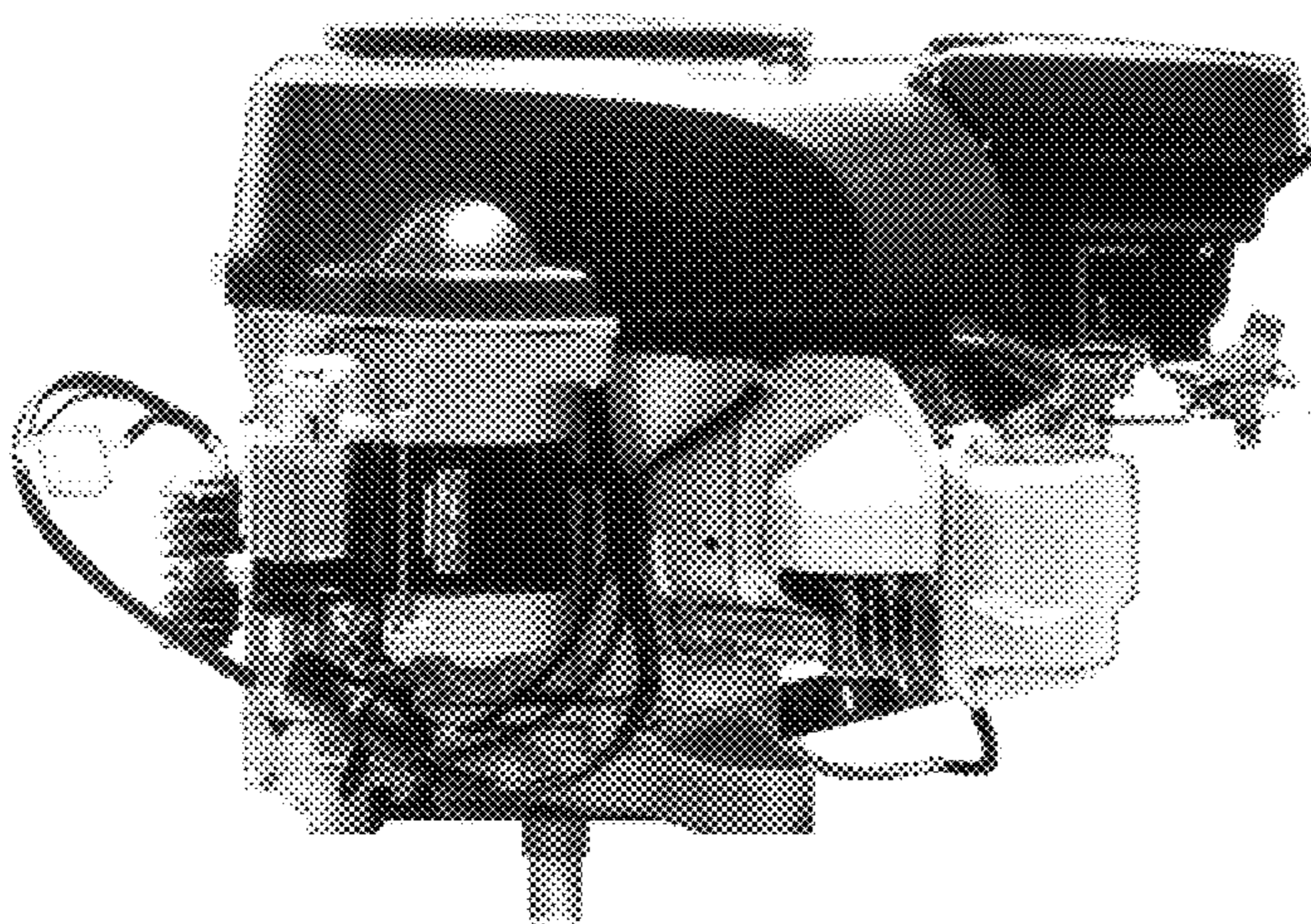




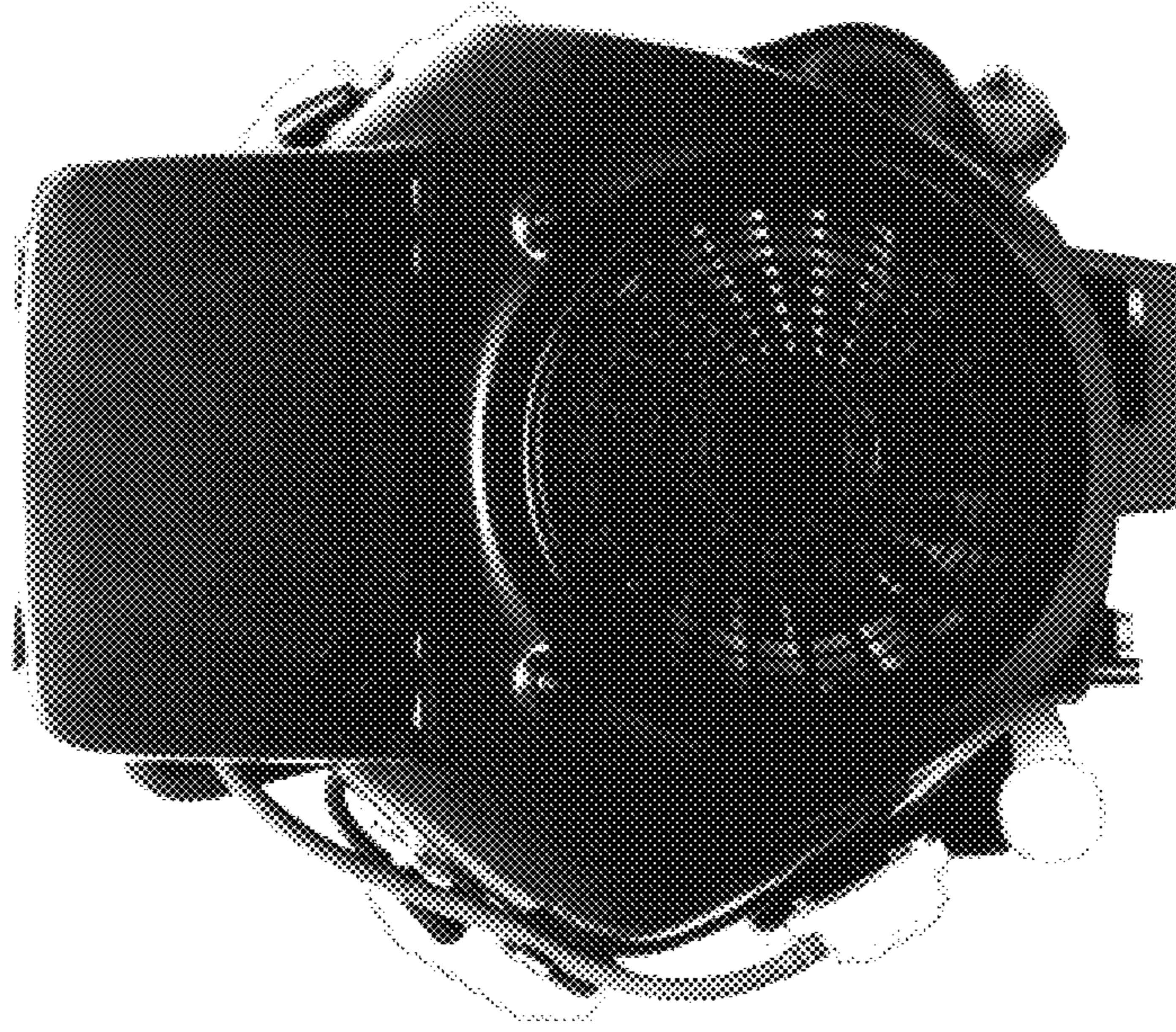
**FIG. 1**



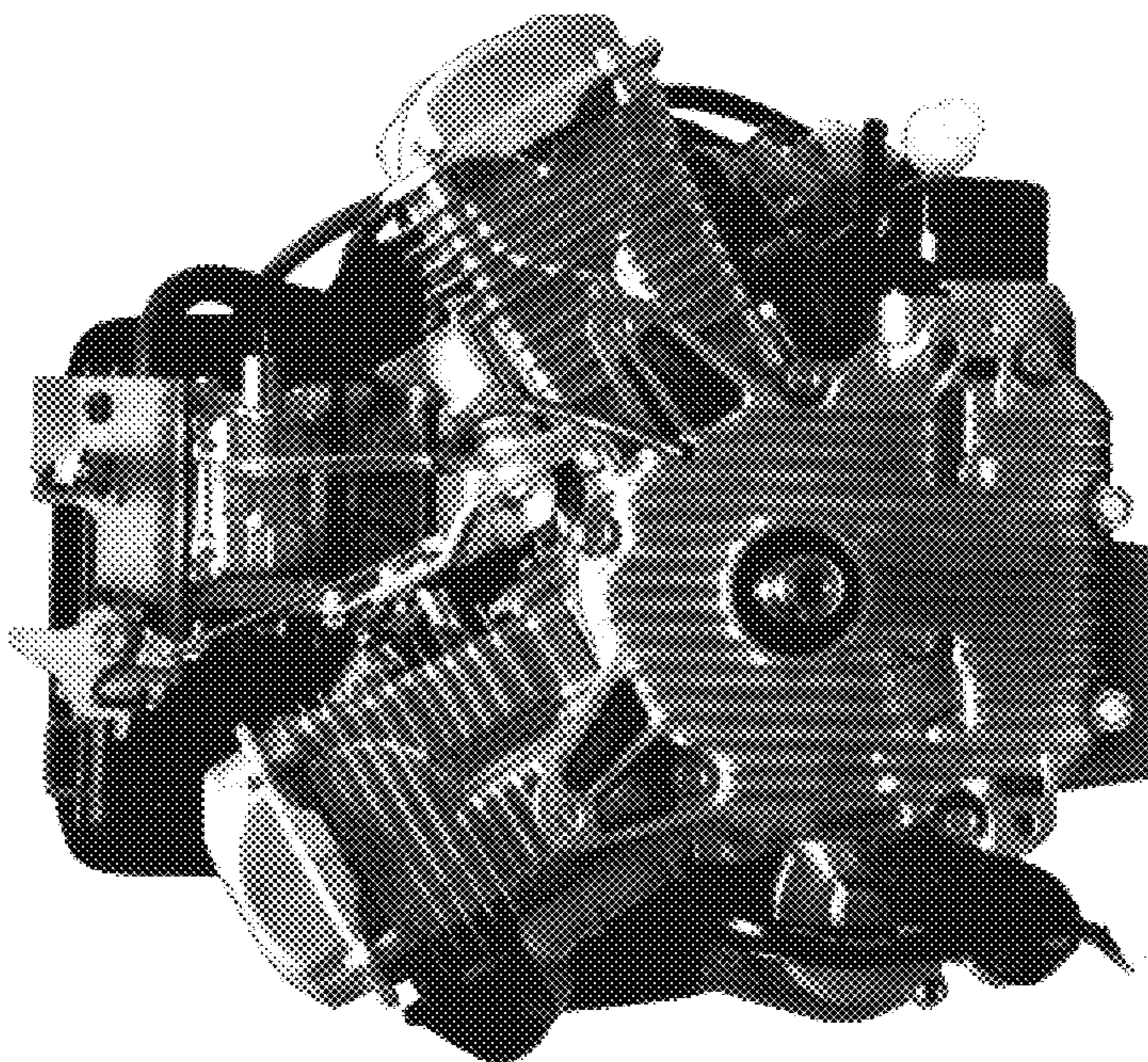
**FIG. 2**



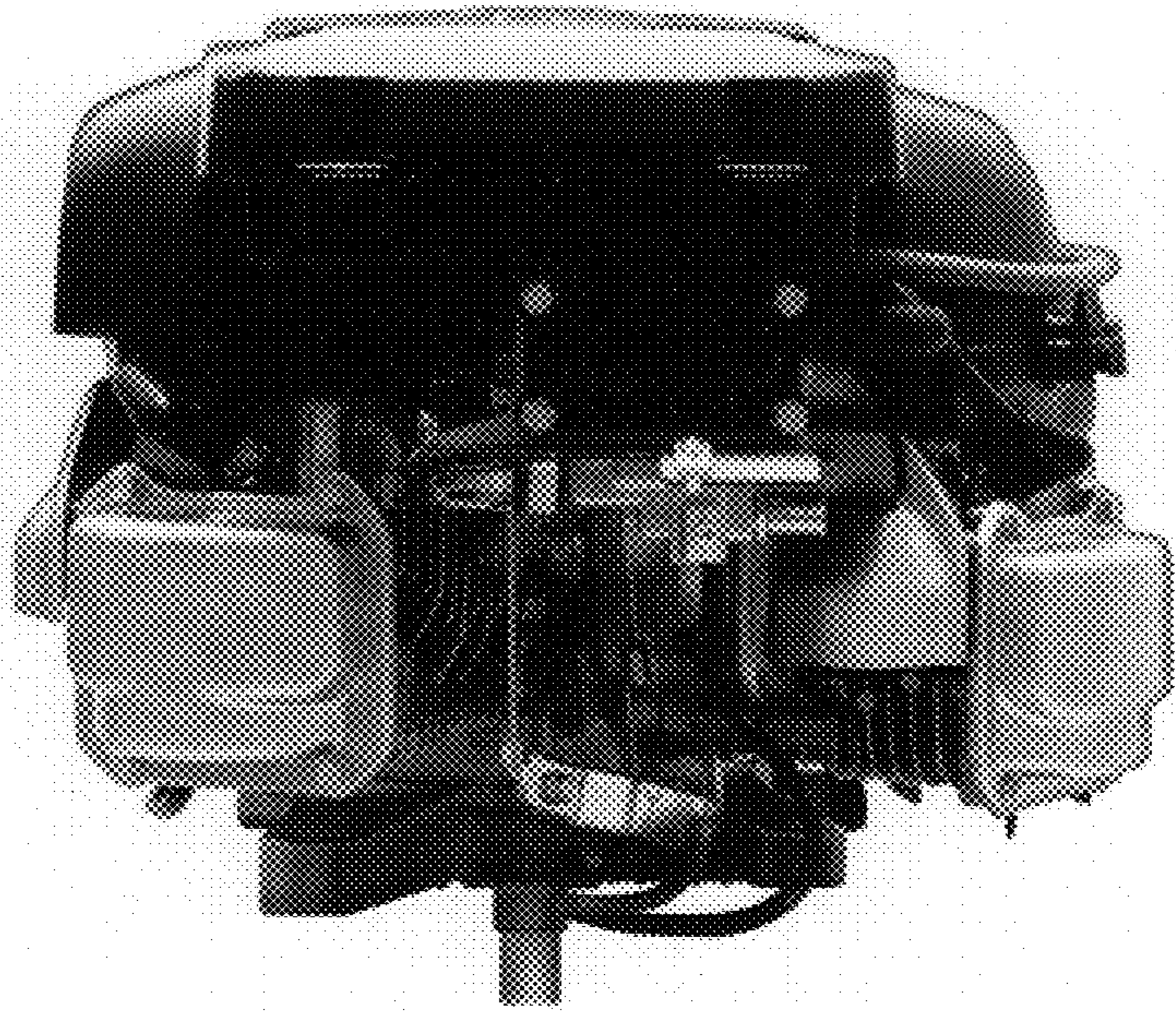
**FIG. 3**



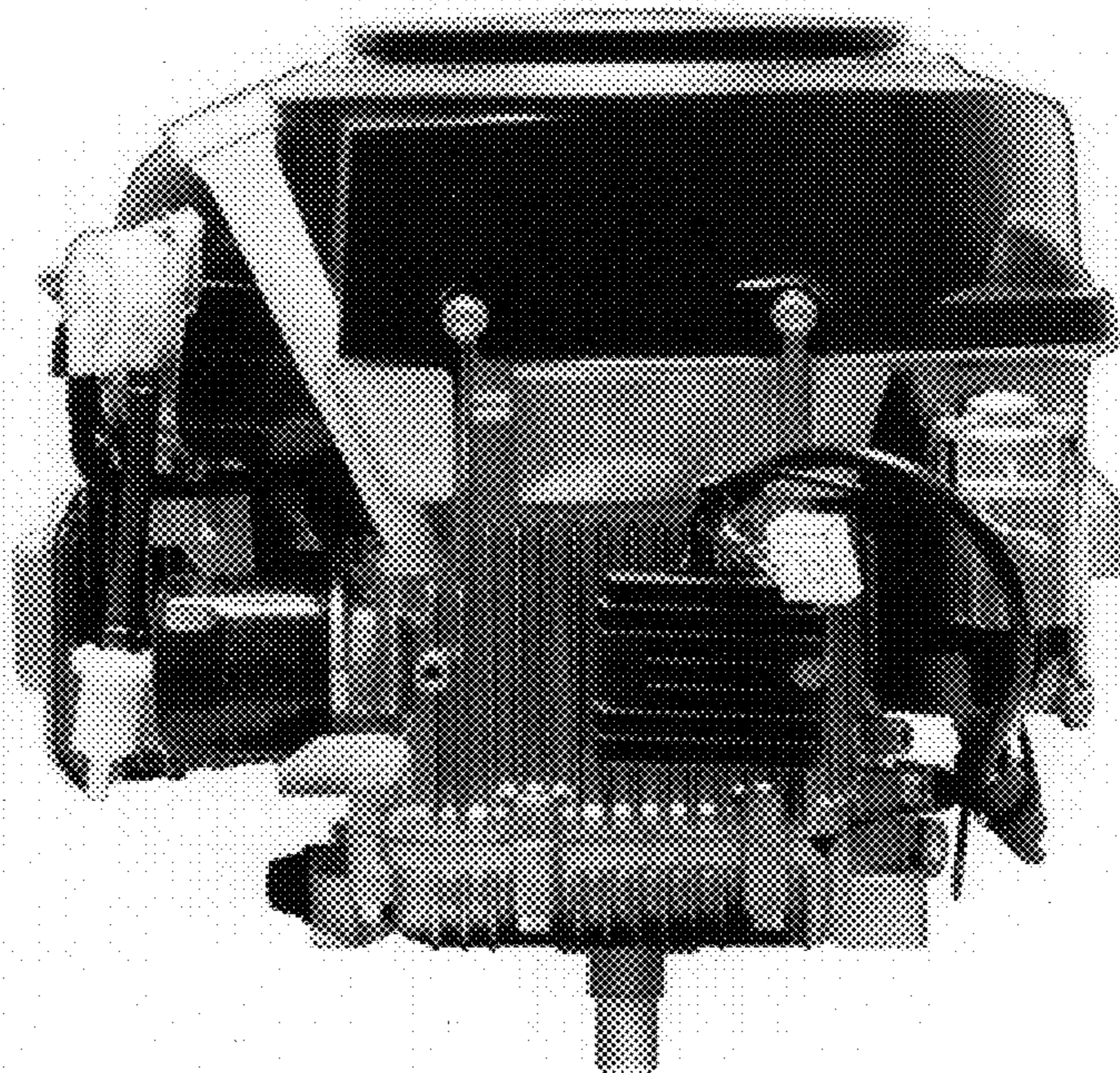
**FIG. 4**



**FIG. 5**



**FIG. 6**



**FIG. 7**