



US00D443264S

(12) **United States Design Patent**  
**Fujita**

(10) **Patent No.:** **US D443,264 S**

(45) **Date of Patent:** **\*\* Jun. 5, 2001**

(54) **DEVICE FOR FIXING SATELLITE BROADCAST RECEIVING ANTENNA**

(75) Inventor: **Kenichi Fujita**, Kakogawa (JP)

(73) Assignee: **DX Antenna Company, Limited**, Kobe (JP)

(\*\*) Term: **14 Years**

(21) Appl. No.: **29/124,355**

(22) Filed: **Jun. 5, 2000**

(30) **Foreign Application Priority Data**

Dec. 27, 1999 (JP) ..... 11-37134

(51) **LOC (7) Cl.** ..... **14-03**

(52) **U.S. Cl.** ..... **D14/238; 343/882**

(58) **Field of Search** ..... D14/230-238;  
D8/363, 354, 349; 343/882, 765, 880; 248/250,  
300, 514, 515, 291.1, 544

(56) **References Cited**

**U.S. PATENT DOCUMENTS**

- D. 362,444 \* 9/1995 Schneeman ..... D14/231
- D. 380,474 7/1997 Pietrangelo et al. .
- D. 411,999 \* 7/1999 Inoue ..... D14/231
- D. 413,603 \* 9/1999 Inoue ..... D14/231
- 5,941,497 \* 8/1999 Inoue et al. .... 248/514
- 6,081,240 \* 7/2000 Hemmingsen, II ..... 343/882

**FOREIGN PATENT DOCUMENTS**

1048109 9/1999 (JP) .

\* cited by examiner

*Primary Examiner*—Louis S. Zarfaz  
*Assistant Examiner*—Gregory Andoll  
(74) *Attorney, Agent, or Firm*—Duane, Morris & Heckscher LLP

(57) **CLAIM**

The ornamental design for a device for fixing satellite broadcast receiving antenna, as shown and described.

**DESCRIPTION**

FIG. 1 is a front elevational view of a device for fixing a satellite broadcast receiving antenna according to my new design, with the dashed lines showing a satellite broadcast receiving antenna and an antenna support, both of which do not form part of the present design but are shown for illustrative purposes only.

FIG. 2 is an enlarged rear elevational view of the device shown in FIG. 1.

FIG. 3 is a top plan view of the device shown in FIG. 2.

FIG. 4 is a bottom plan view of the device shown in FIG. 2.

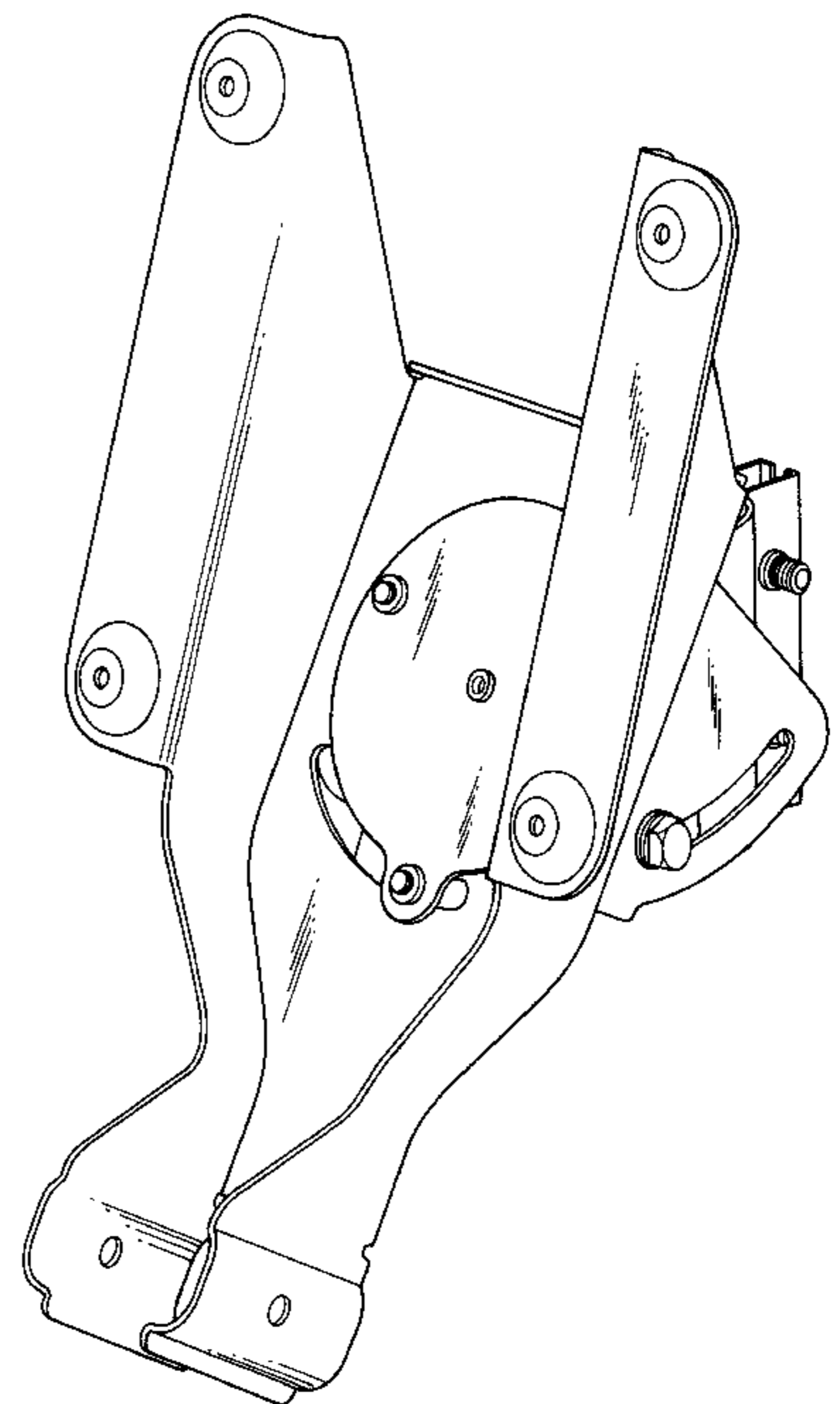
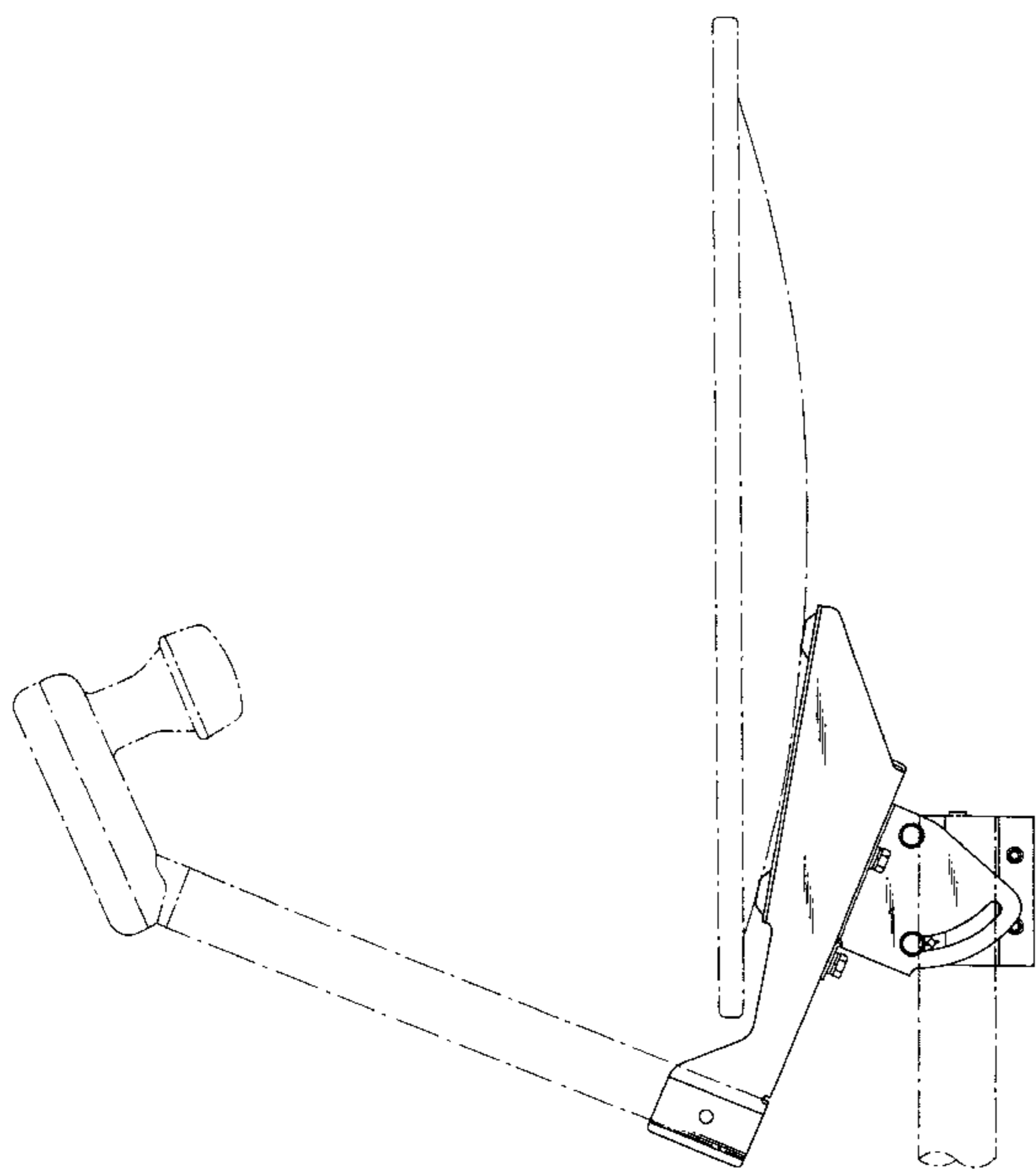
FIG. 5 is a left side elevational view of the device shown in FIG. 2.

FIG. 6 is a right side elevational view of the device shown in FIG. 2.

FIG. 7 is a cross-sectional view of the device along a line 7—7 in FIG. 5; and,

FIG. 8 is a perspective view of the device shown in FIG. 2. The article is a device for fixing a satellite broadcast receiving antenna to an antenna support.

**1 Claim, 8 Drawing Sheets**



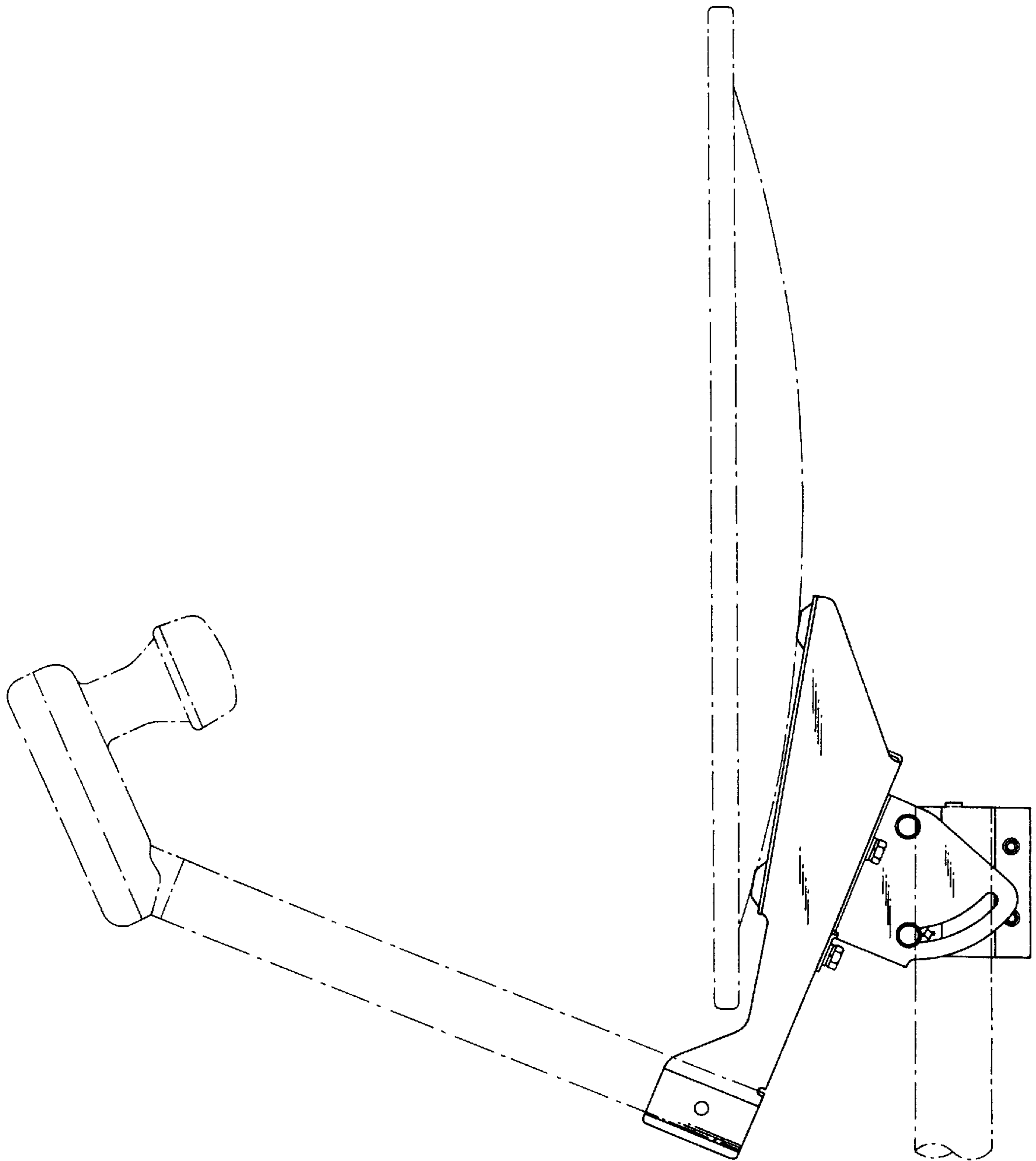
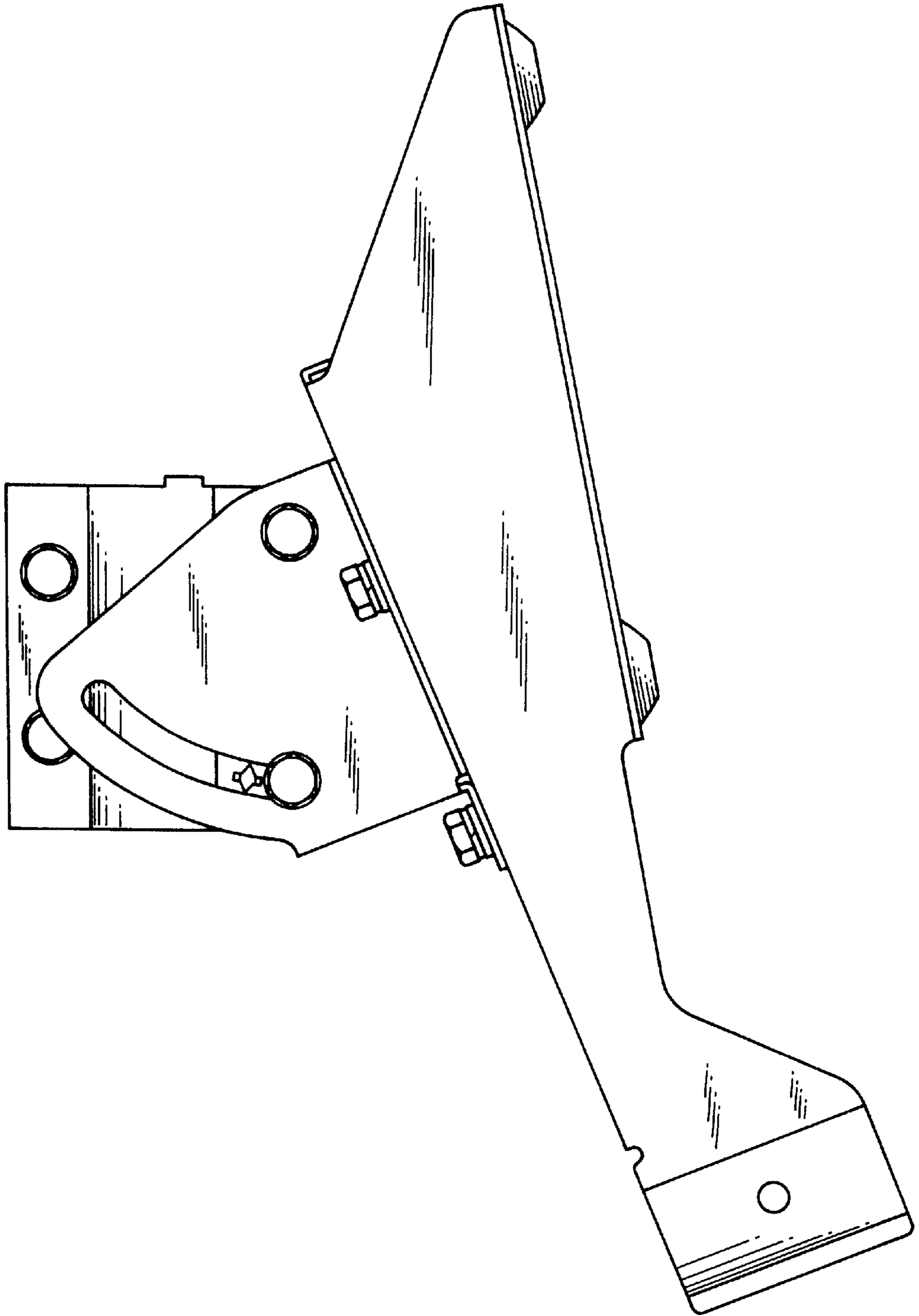
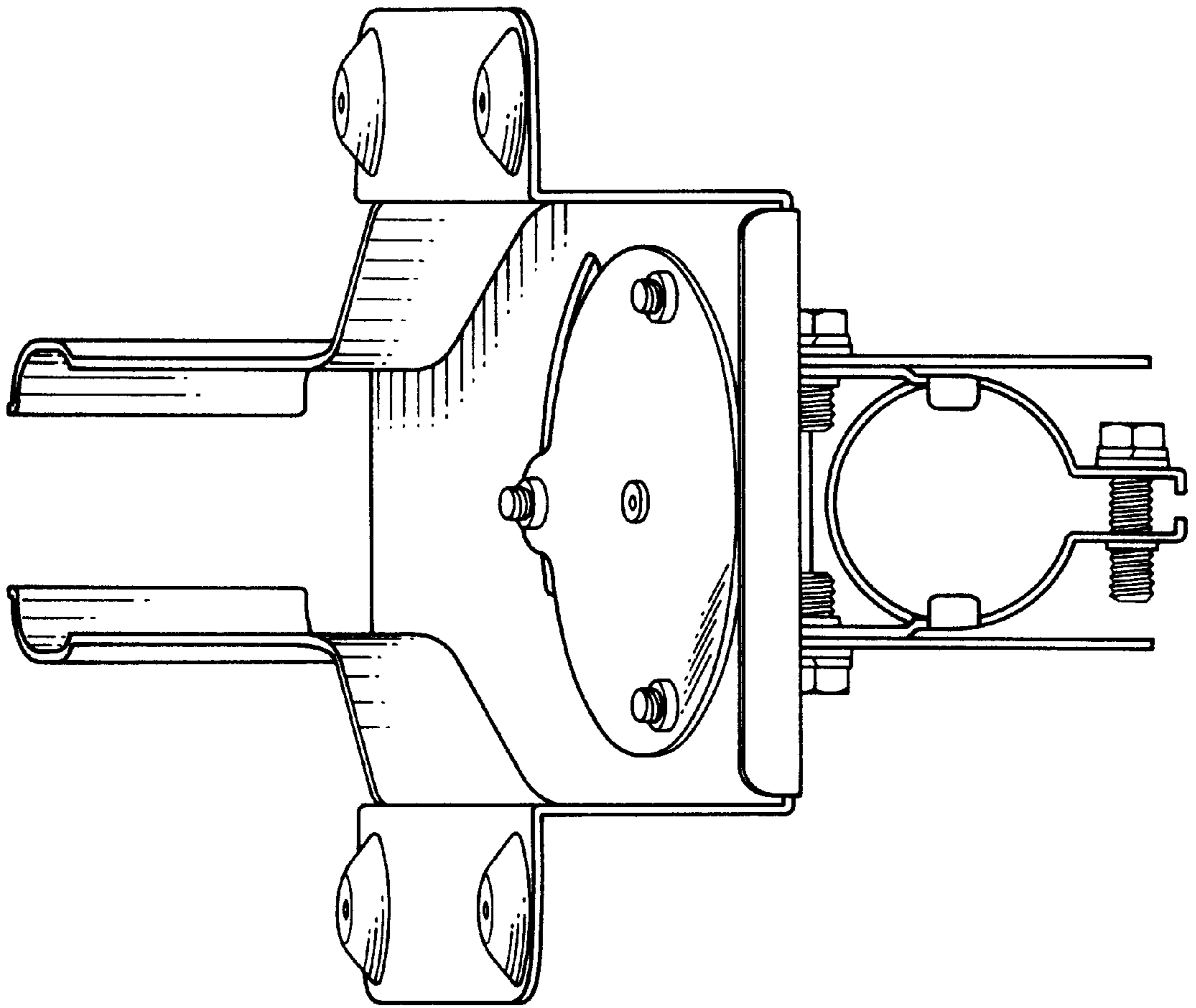


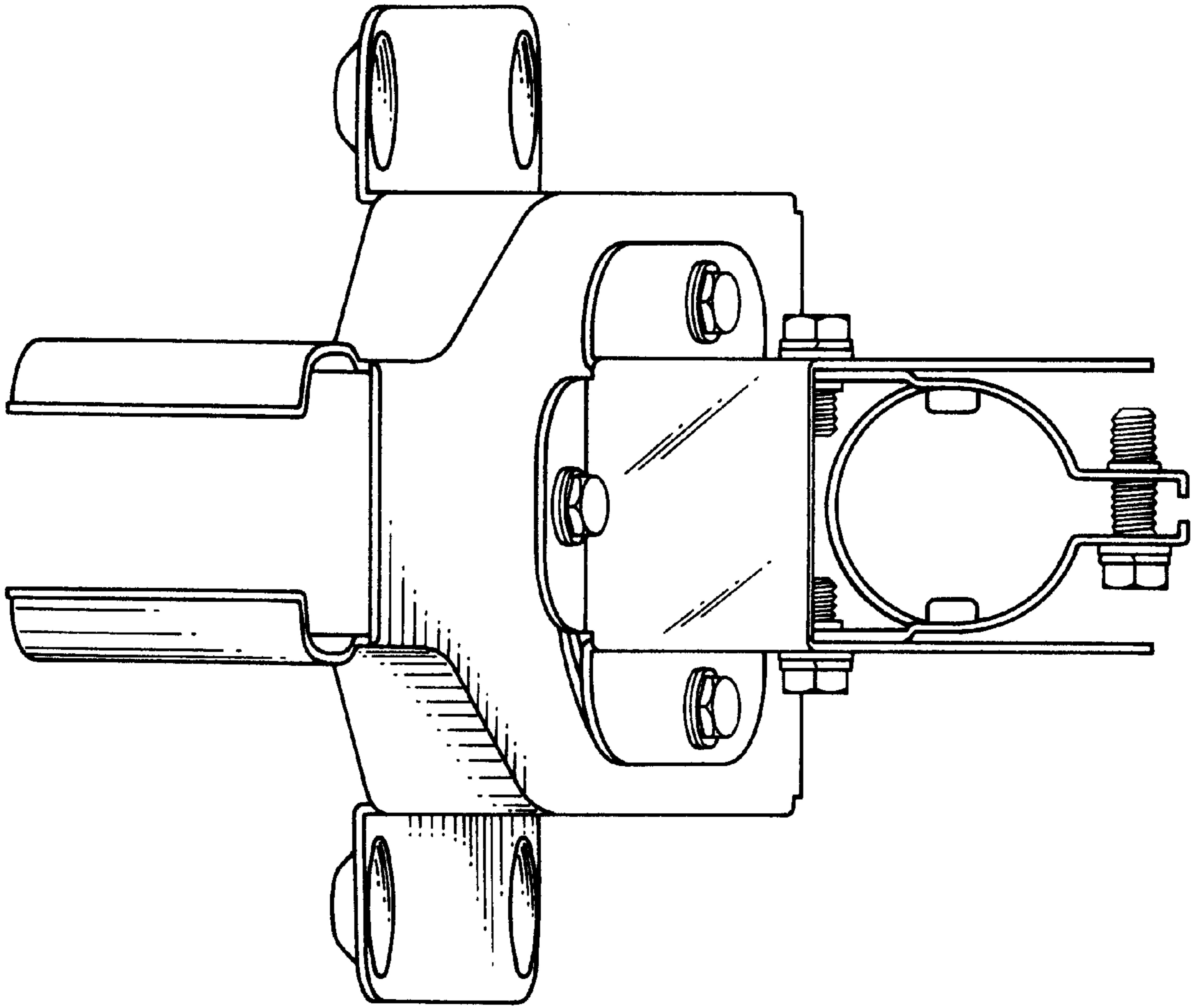
FIG. 1



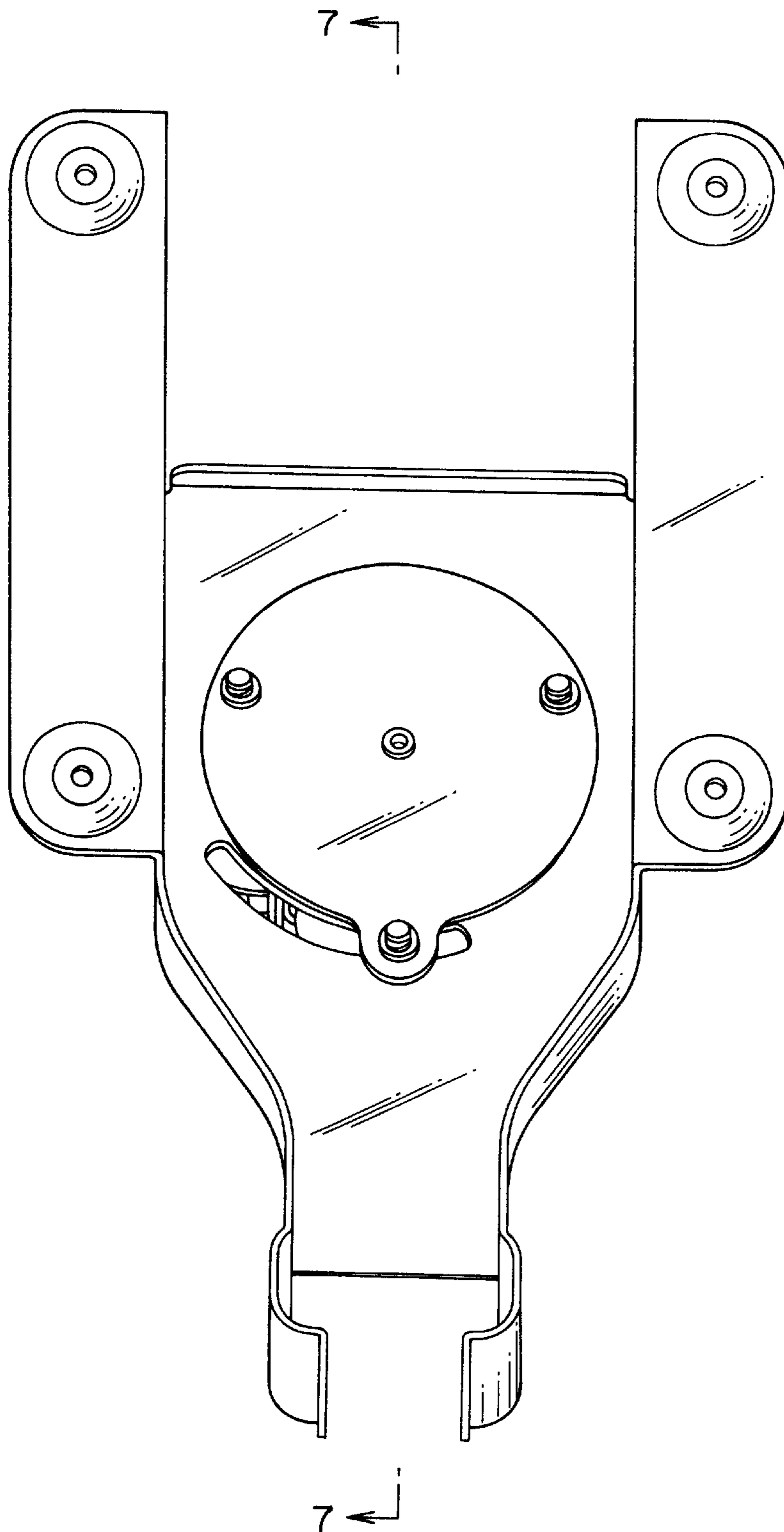
F I G . 2



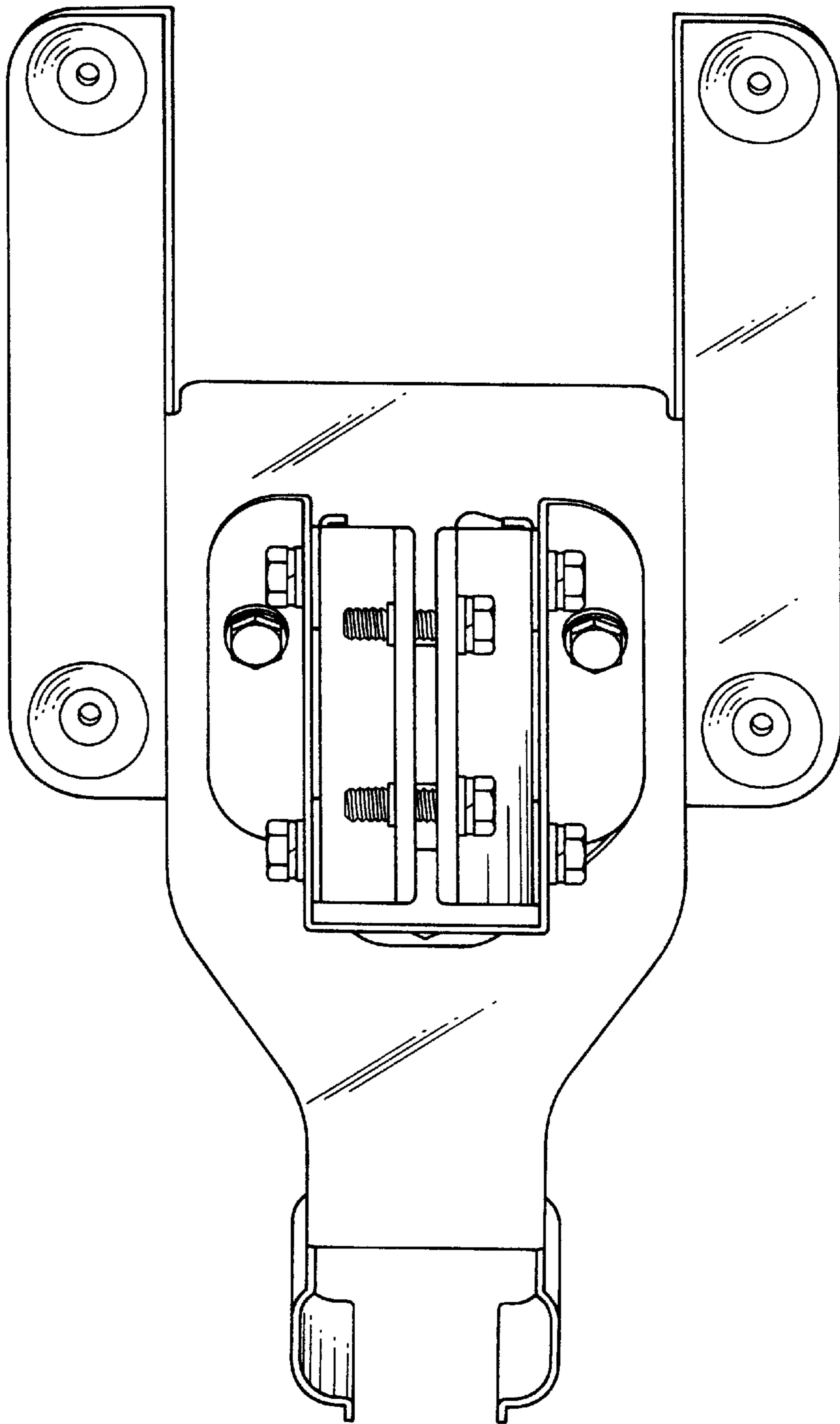
F I G . 3



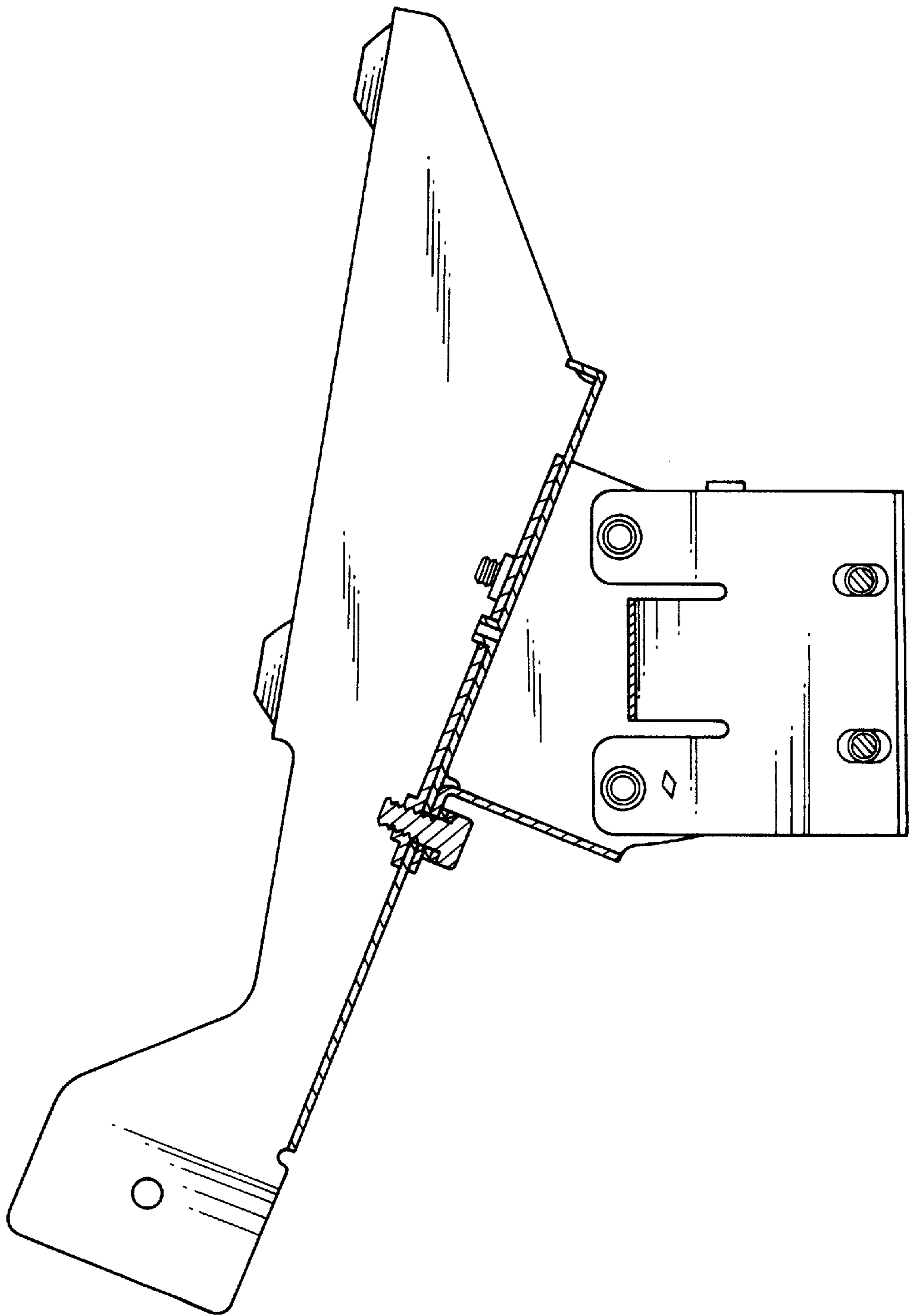
F I G . 4



F I G . 5

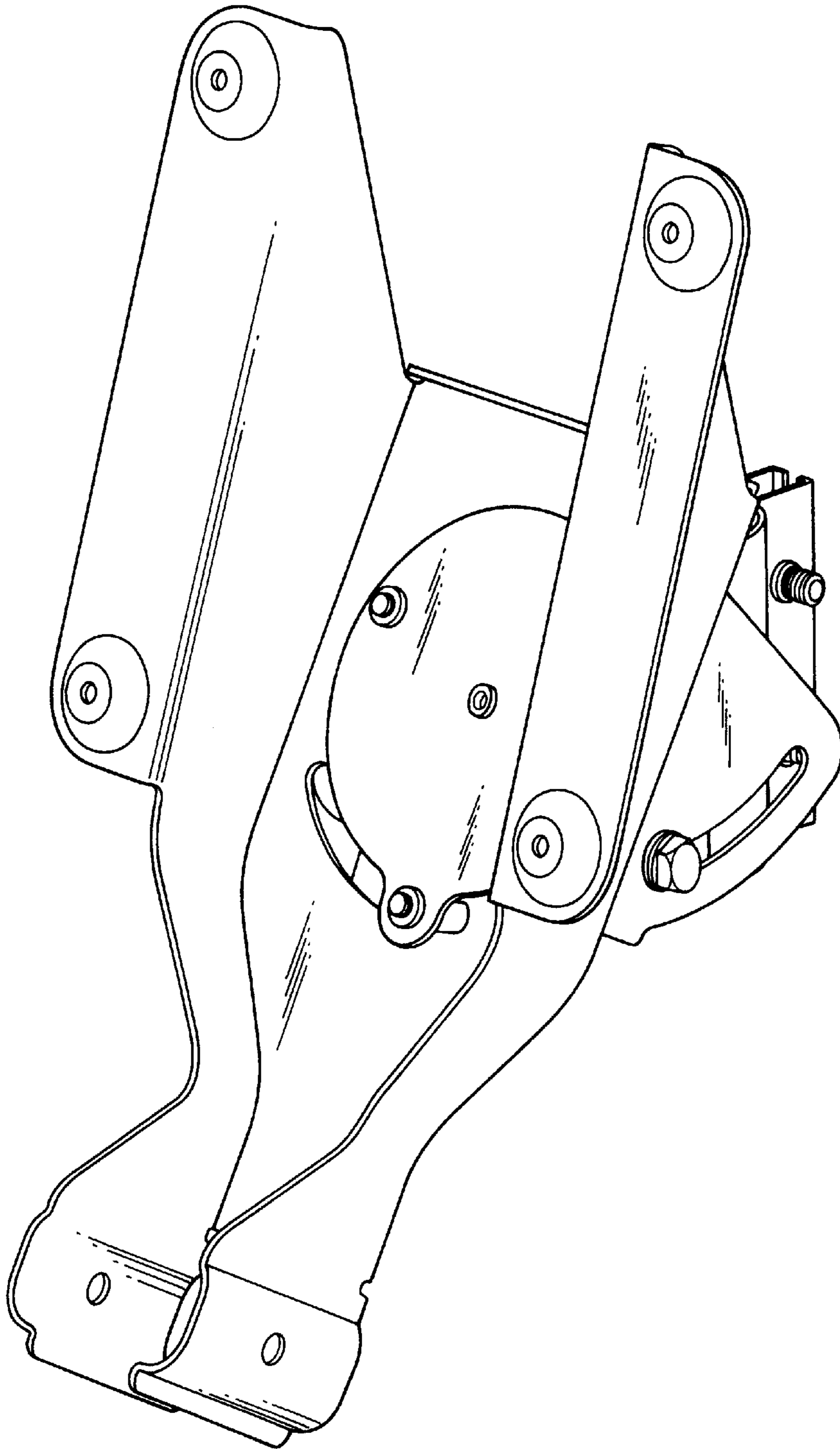


F I G . 6



F I G . 7





F I G . 8