



US00D443262S

(12) **United States Design Patent**
Caren

(10) **Patent No.:** **US D443,262 S**

(45) **Date of Patent:** **** Jun. 5, 2001**

(54) **SPEAKER GRILL MOUNTING PLATE**

(75) **Inventor:** **Barry L. Caren, Beverly Hills, CA (US)**

(73) **Assignee:** **Magnadyne Corporation, Compton, CA (US)**

(**) **Term:** **14 Years**

(21) **Appl. No.:** **29/100,872**

(22) **Filed:** **Feb. 19, 1999**

(51) **LOC (7) Cl.** **14-01**

(52) **U.S. Cl.** **D14/224**

(58) **Field of Search** D8/349, 354; D14/209, D14/216, 222, 224, 229; 248/300, 339, 343, 523, 906; 181/171, 172

(56) **References Cited**

U.S. PATENT DOCUMENTS

D. 100,928	*	8/1936	Shure	D14/229
D. 296,446	*	6/1988	Jowitt	D14/224 X
D. 347,567	*	6/1994	Duffy	D8/354
D. 357,480	*	4/1995	Lumsden et al.	D14/224
4,988,231	*	1/1991	Pettit	D8/349 X
4,989,820	*	2/1991	Sterling	248/523

OTHER PUBLICATIONS

Magnadyne *Automotive Electronics* brochure, 1996, U.S.A.
Magnadyne *Linear Series Confidential Price List*, Jan. 1, 1997, U.S.A.

Magnadyne *Linear Series* brochure, Nov. 1997, U.S.A.

* cited by examiner

Primary Examiner—Nanda Bondade

(74) *Attorney, Agent, or Firm*—Brooks & Kushman P.C.

(57) **CLAIM**

The ornamental design for a speaker grill mounting plate, as shown and described.

DESCRIPTION

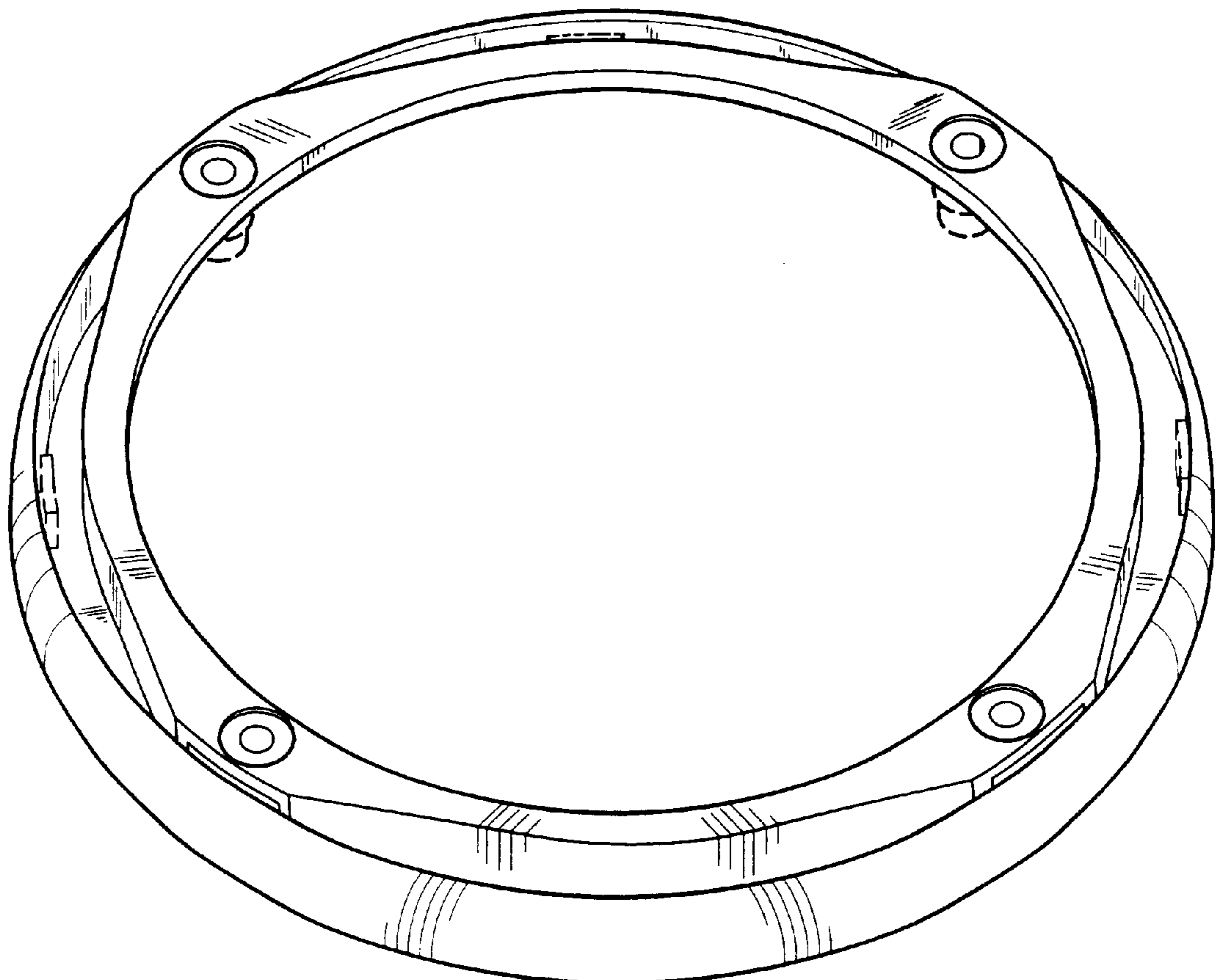
FIG. 1 is a perspective view of a speaker grill mounting plate showing my new design;

FIG. 2 is a top plan view; and,

FIG. 3 is a side elevation view.

The broken line showing in FIGS. 1 and 2 is for illustrative purposes only and forms no part of the claimed design. The surfaces or portions of the article not shown in the drawing or described in the specification form no part of the claimed design.

1 Claim, 2 Drawing Sheets



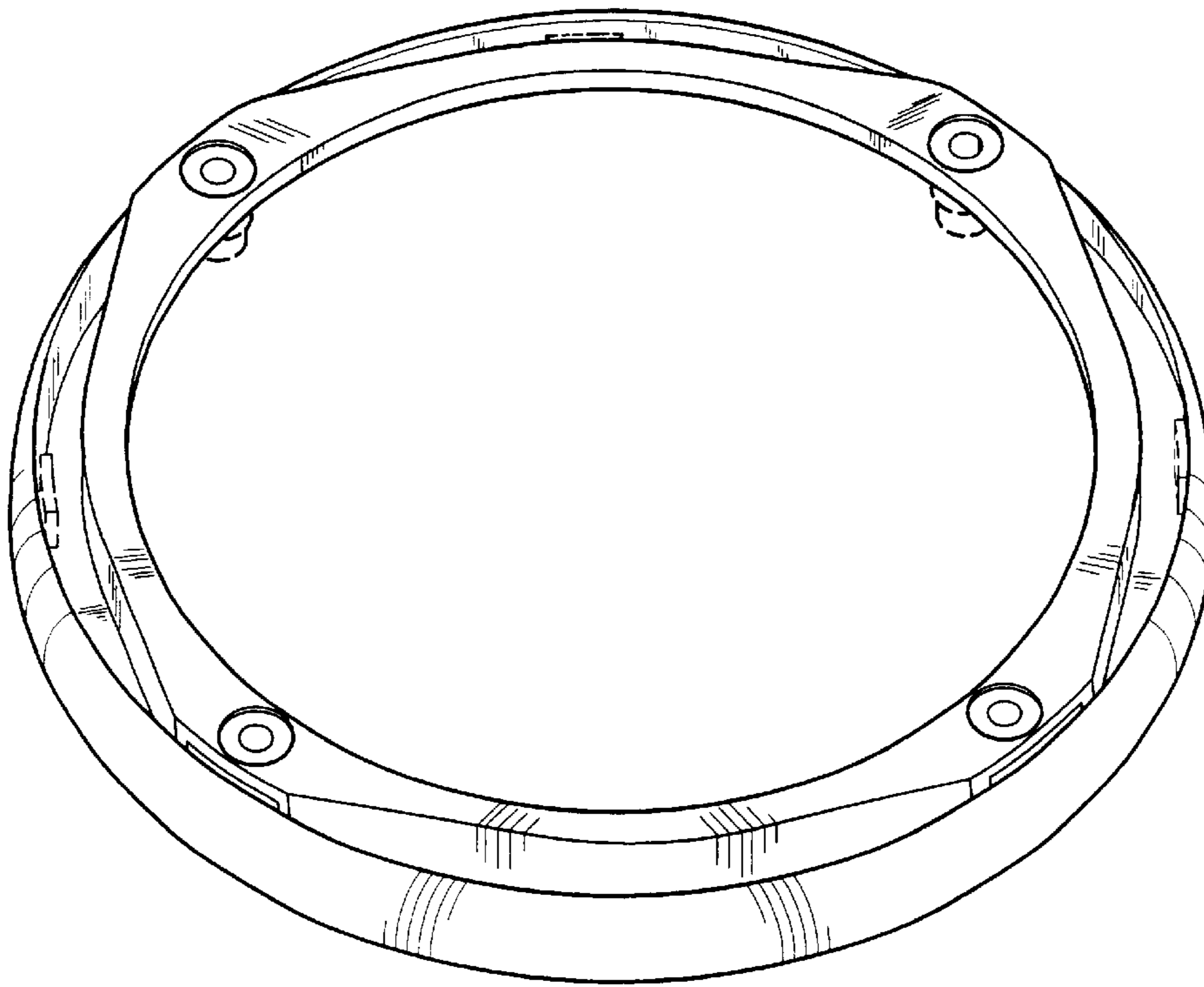


Fig-1

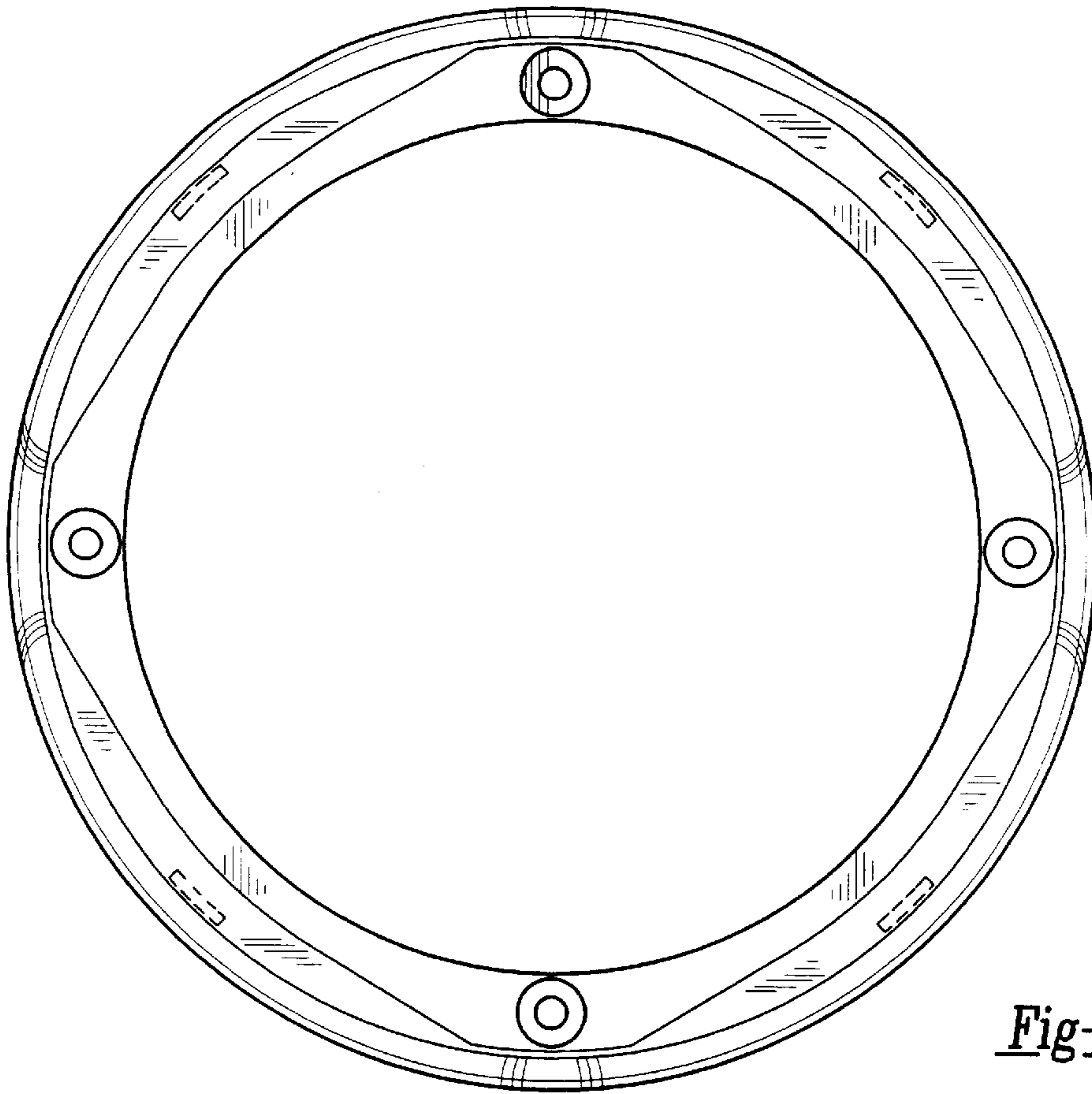


Fig-2

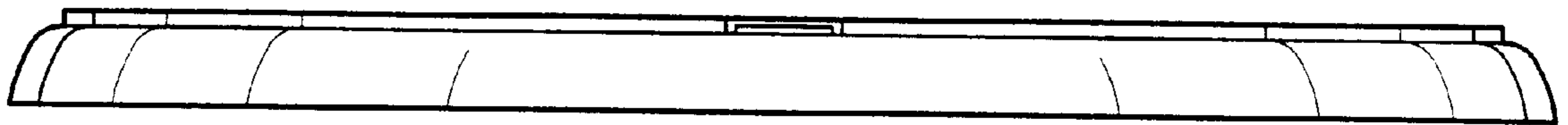


Fig-3