



US00D443256S

(12) **United States Design Patent**  
**Yoshiyama**

(10) **Patent No.:** **US D443,256 S**

(45) **Date of Patent:** **\*\* Jun. 5, 2001**

(54) **COMBINED DIGITAL VIDEO DISC PLAYER  
AND LIQUID CRYSTAL MONITOR**

(75) **Inventor:** **Tsuyoshi Yoshiyama, Osaka (JP)**

(73) **Assignee:** **Matsushita Electric Industrial Co.,  
Ltd., Osaka (JP)**

(\*\*) **Term:** **14 Years**

(21) **Appl. No.:** **29/122,168**

(22) **Filed:** **Apr. 20, 2000**

(30) **Foreign Application Priority Data**

Oct. 22, 1999 (JP) ..... 11-29131

(51) **LOC (7) Cl.** ..... **14-03**

(52) **U.S. Cl.** ..... **D14/129**

(58) **Field of Search** ..... D14/371, 124-136,  
D14/156; 369/75.1, 75.2; 348/552, 836,  
838; 386/125, 126

(56) **References Cited**

**U.S. PATENT DOCUMENTS**

- D. 337,327 \* 7/1993 Suzuki ..... D14/129
- D. 377,648 \* 1/1997 Young ..... D14/129
- D. 409,184 \* 5/1999 Sakamoto et al. .... D14/136
- D. 424,050 \* 5/2000 Sakamoto et al. .... D14/136
- 4,646,158 \* 2/1987 Ohno et al. .... D14/132

**OTHER PUBLICATIONS**

Pioneer catalog, "PDV-LC10" and "PDV-10," Jan. 2000.  
Sharp catalog, "DV-L70TV," Jun. 1999.

\* cited by examiner

*Primary Examiner*—Raphael Barkai

(74) *Attorney, Agent, or Firm*—Christensen O'Connor  
Johnson Kindness PLLC

(57) **CLAIM**

The ornamental design for a combined digital video disc  
player and liquid crystal monitor, as shown and described.

**DESCRIPTION**

FIG. 1 is a perspective view of the top, front and right side  
of a combined digital video disc player and liquid crystal  
monitor showing my new design;  
FIG. 2 is a top plan view thereof;  
FIG. 3 is a right side view thereof;  
FIG. 4 is a rear view thereof;  
FIG. 5 is a front view thereof;  
FIG. 6 is a bottom view thereof;  
FIG. 7 is a left side view thereof;  
FIG. 8 is a perspective view with the liquid crystal monitor  
part in open condition; and,  
FIG. 9 is a perspective view similar to FIG. 8 with the disc  
inserting part in open condition.

**1 Claim, 6 Drawing Sheets**

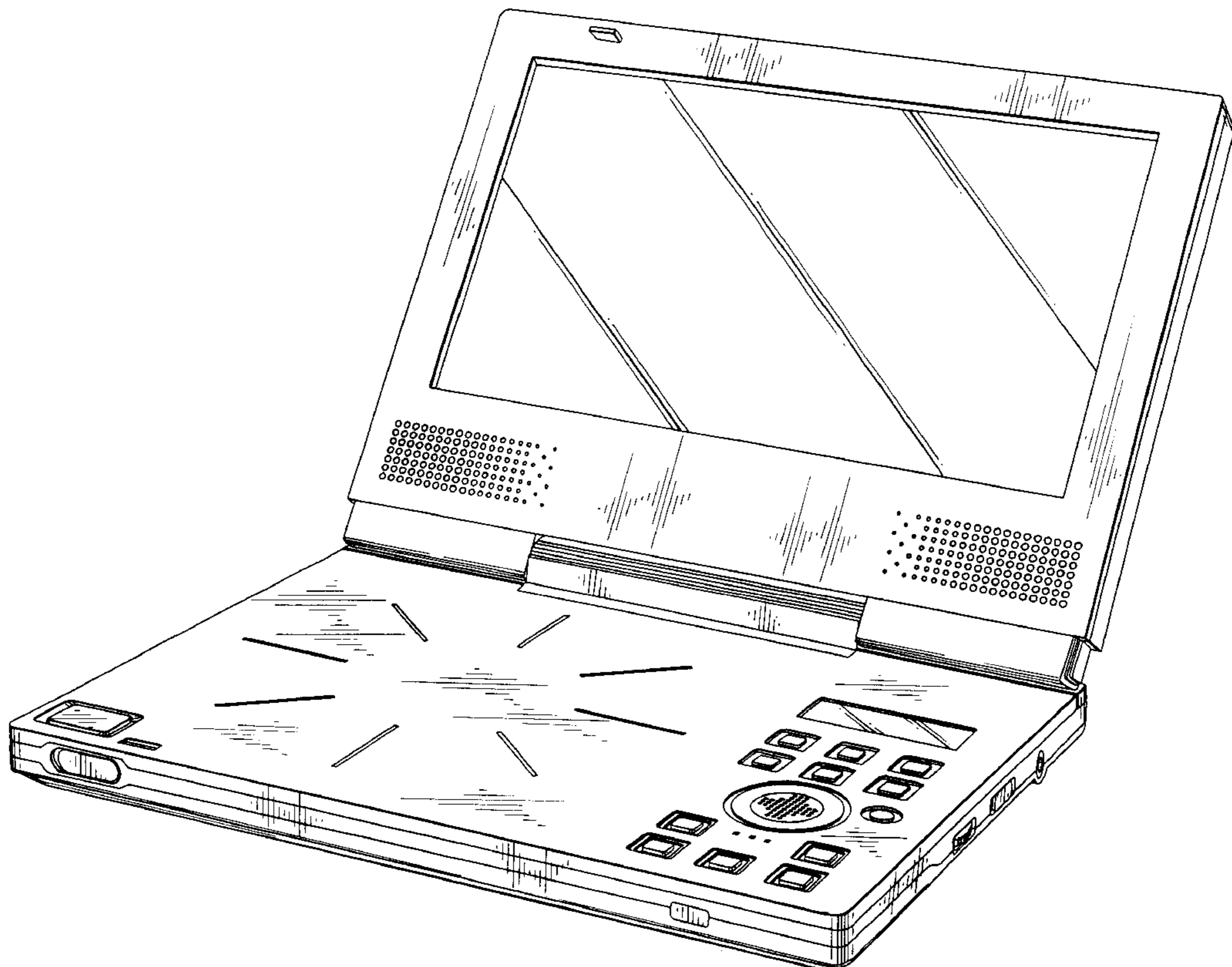


FIG. 1

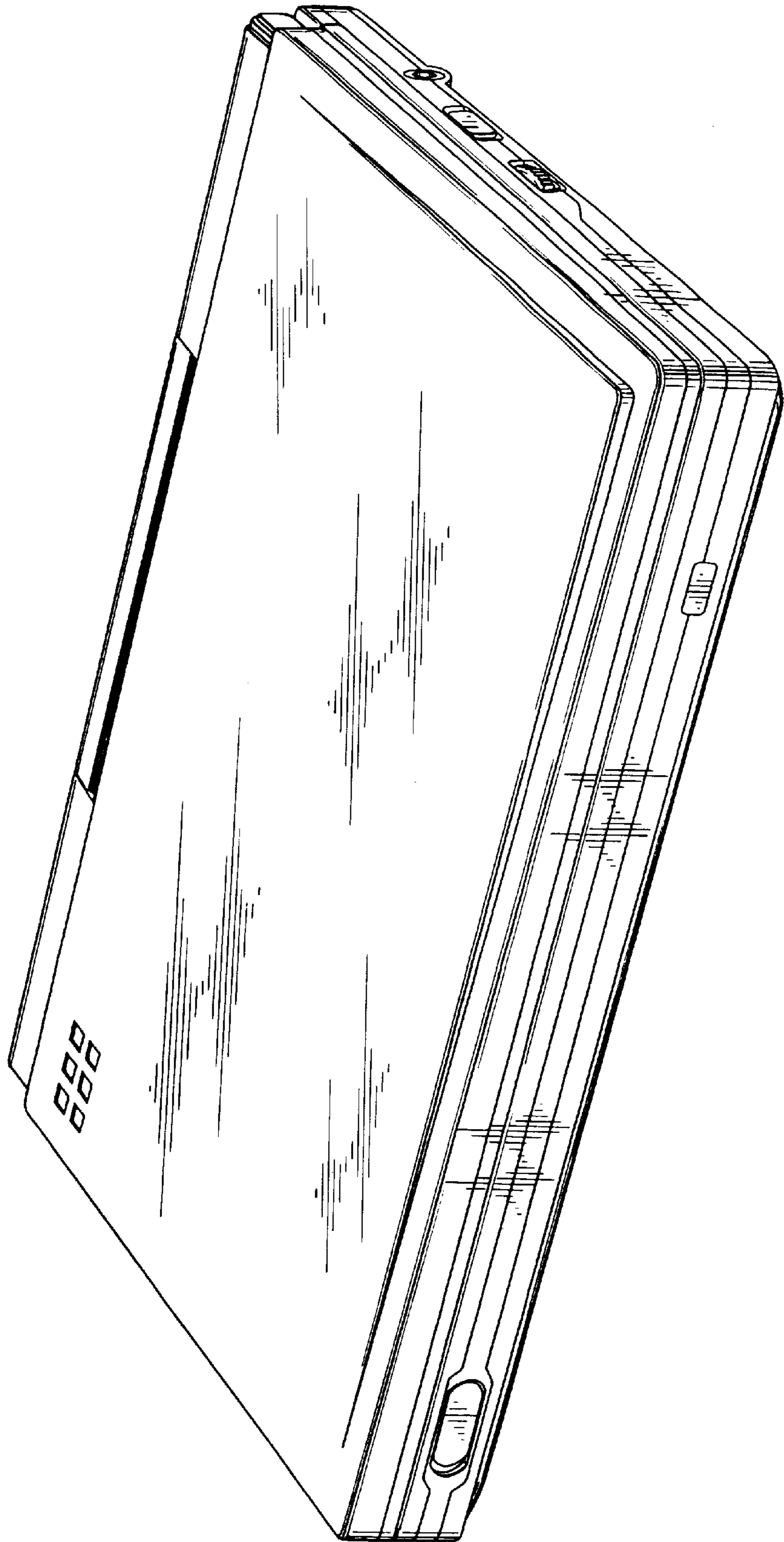


FIG. 3

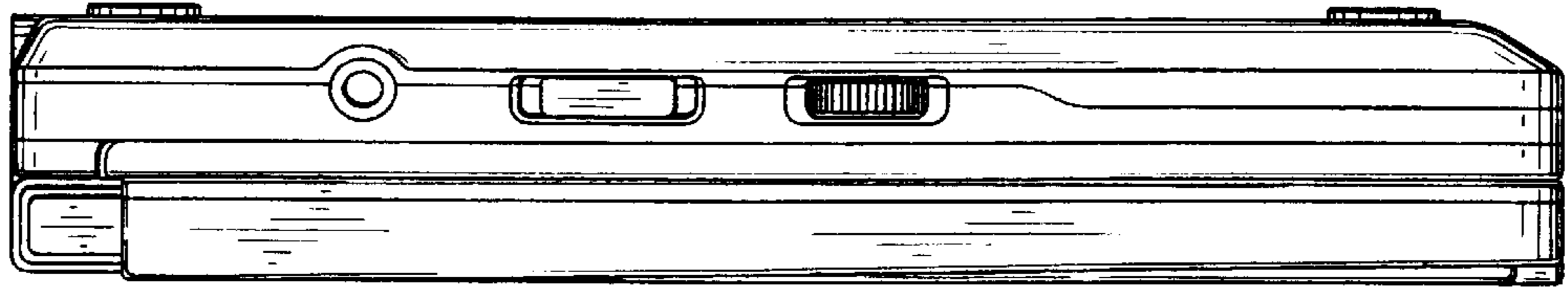
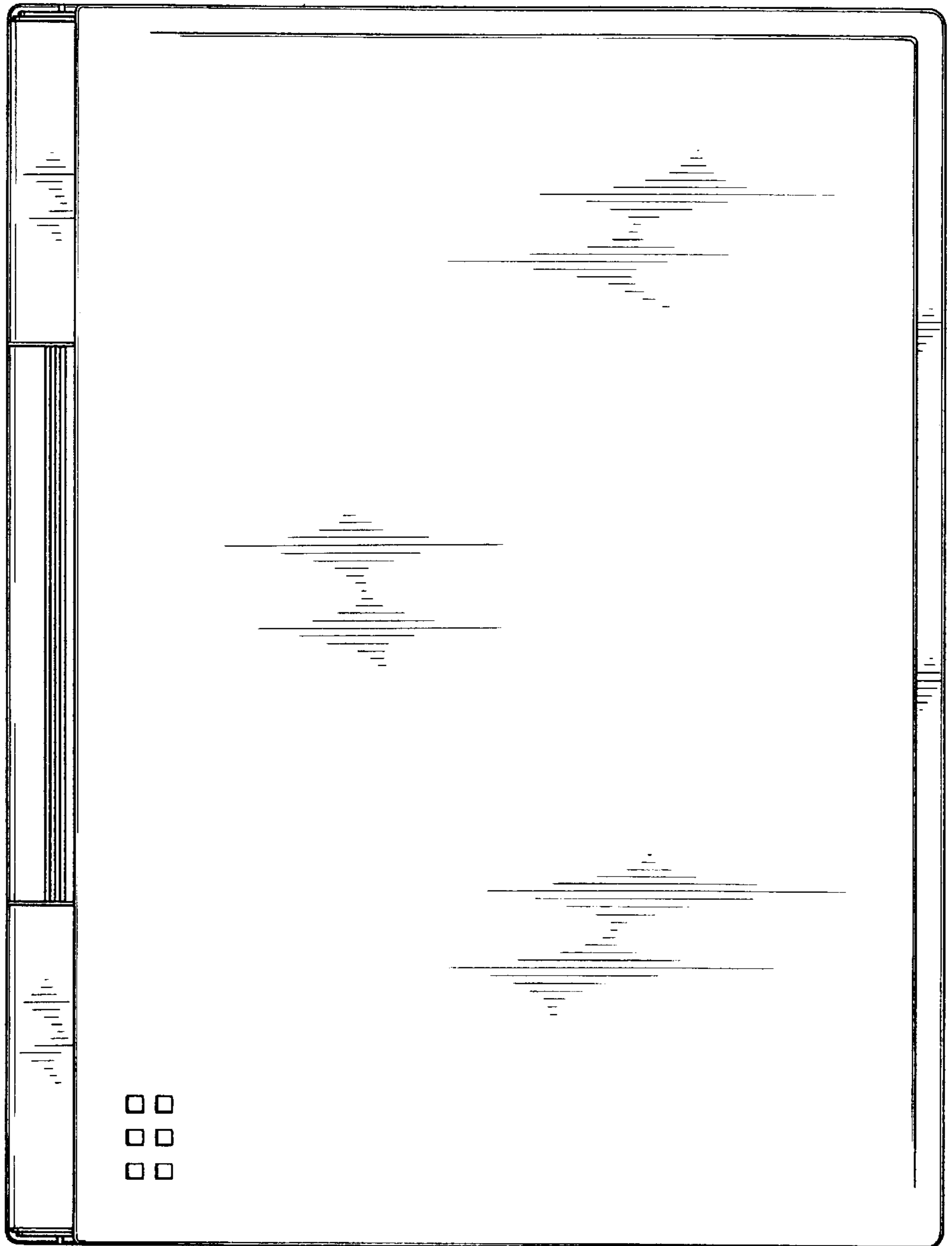
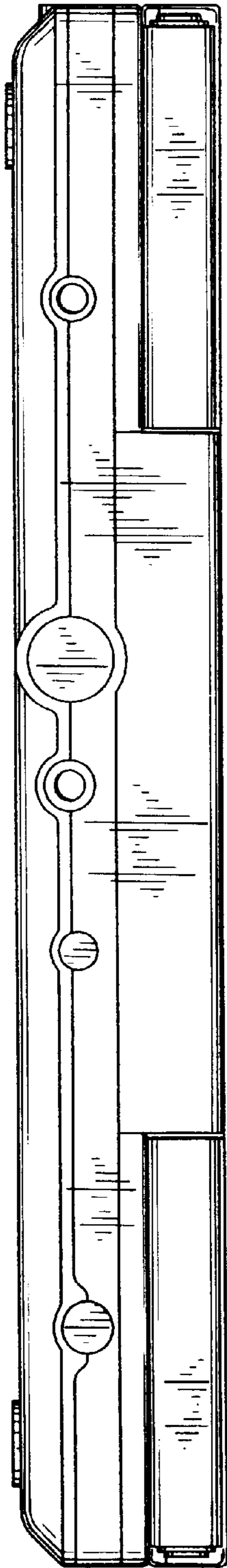


FIG. 2



**FIG. 4**



**FIG. 5**

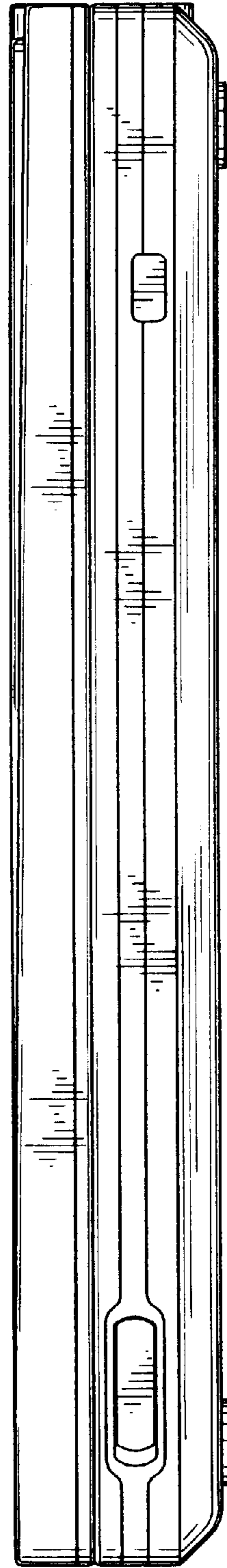


FIG. 7

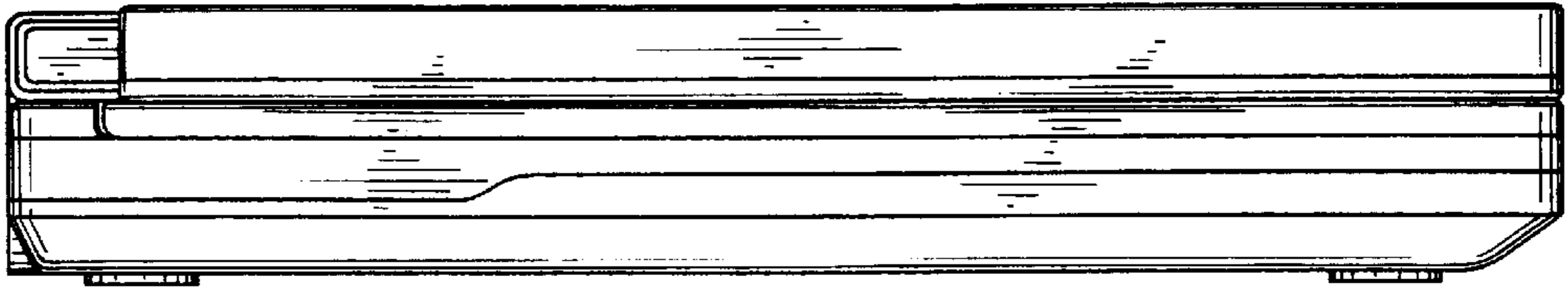
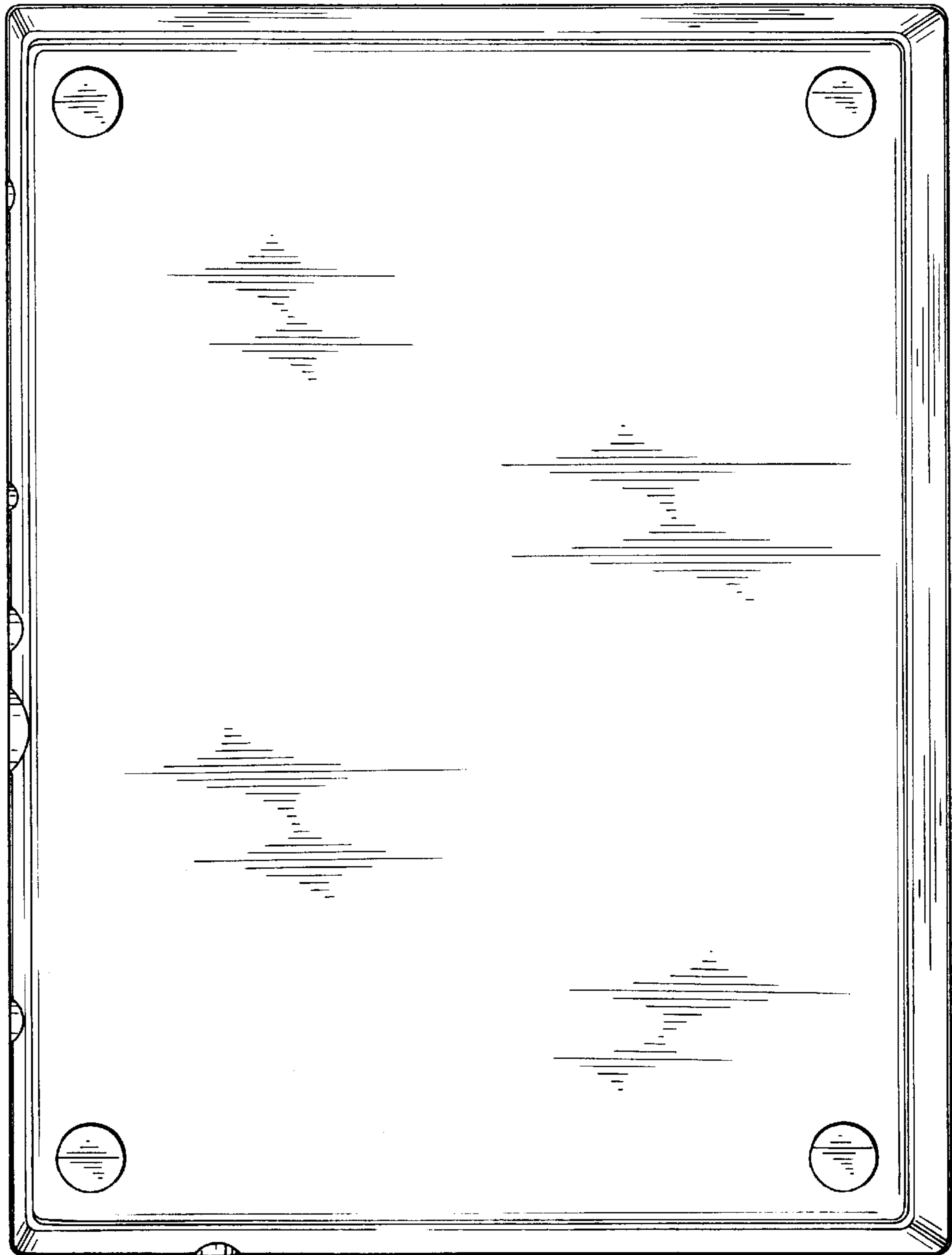


FIG. 6



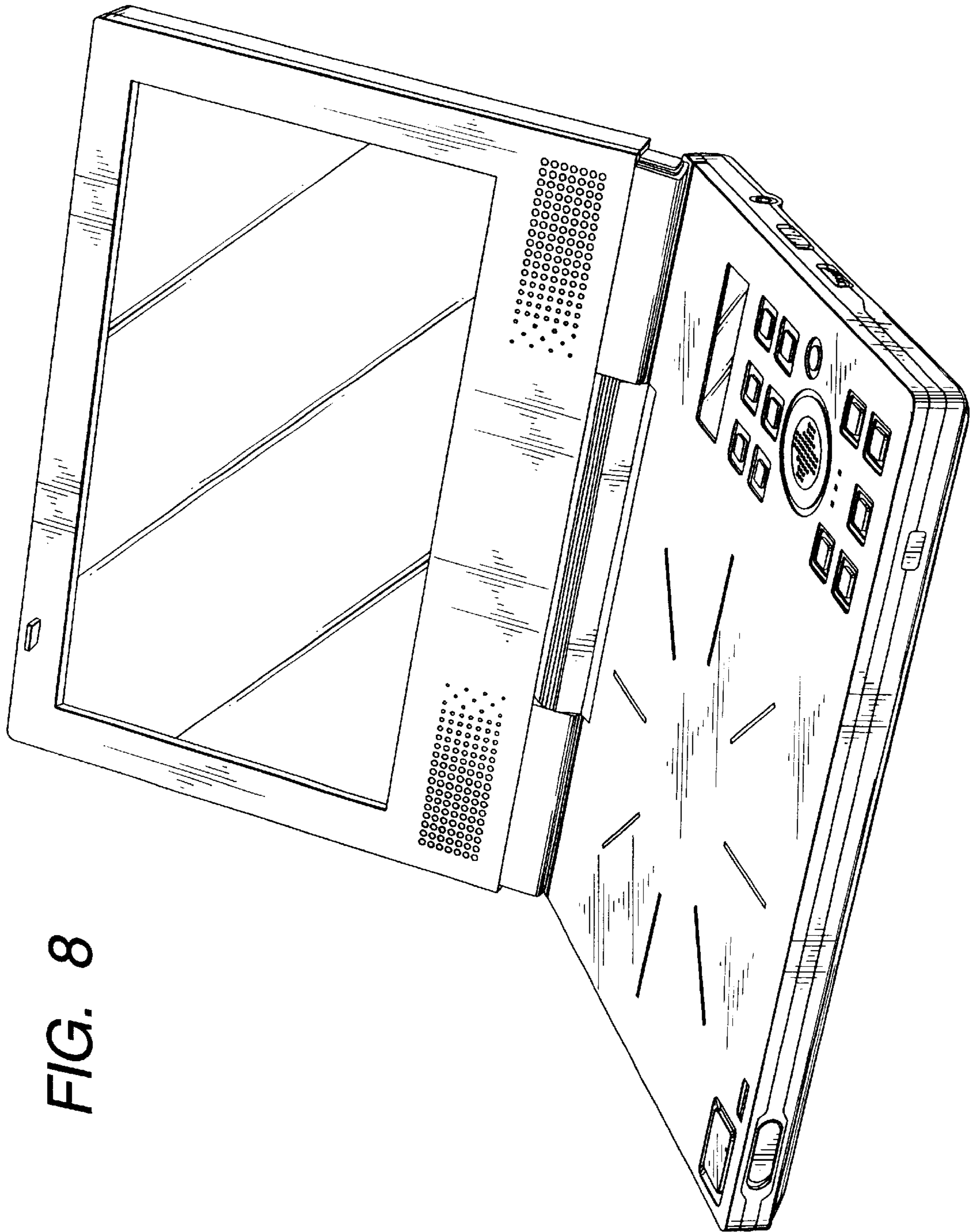


FIG. 8

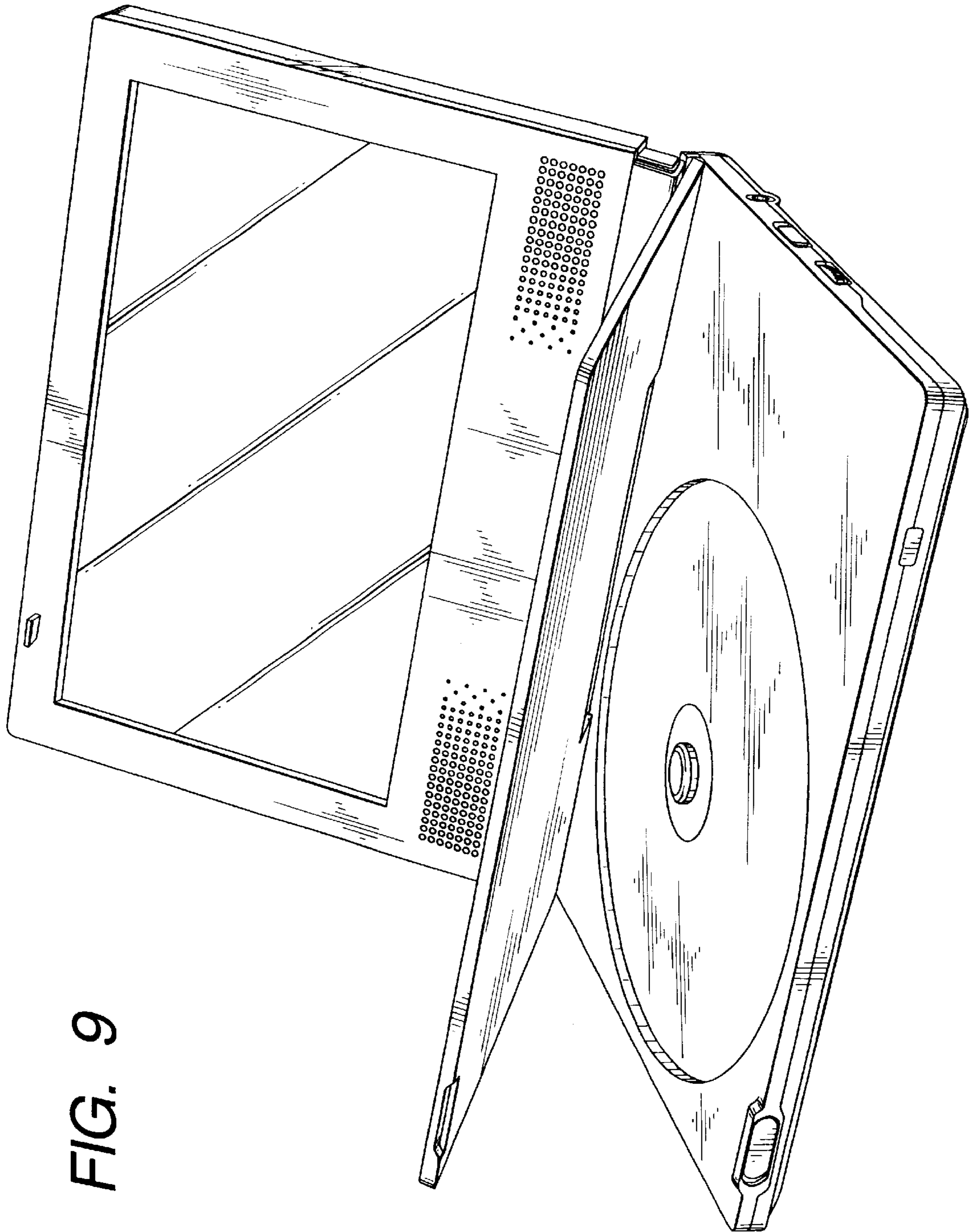


FIG. 9