



US00D443254S

(12) **United States Design Patent**
Jensen et al.

(10) **Patent No.:** **US D443,254 S**

(45) **Date of Patent:** **** Jun. 5, 2001**

(54) **SET TOP BOX**

(75) Inventors: **Tyler Jensen**, San Diego; **Andrew Zoolakis**, La Costa; **Scott Clear**, San Diego, all of CA (US)

(73) Assignee: **Hughes Electronics Corporation**, El Segundo, CA (US)

(**) Term: **14 Years**

(21) Appl. No.: **29/128,759**

(22) Filed: **Aug. 30, 2000**

(51) **LOC (7) Cl.** **14-03**

(52) **U.S. Cl.** **D14/125**

(58) **Field of Search** D14/299, 356,
D14/361-363, 365, 496, 125, 135, 136,
239; 348/10, 460; 361/690-696; 312/208.1,
223.2

(56) **References Cited**

U.S. PATENT DOCUMENTS

D. 368,085 * 3/1996 Mittal et al. D14/239

D. 386,174 * 11/1997 Boyd et al. D14/125
D. 396,856 * 8/1998 Oba D14/125
D. 413,333 * 8/1999 Kitajima et al. D14/125
D. 415,486 * 10/1999 Lee et al. D14/126
D. 426,212 * 6/2000 Storti et al. D14/125
D. 433,020 * 10/2000 Silbermann et al. D14/356
D. 434,737 * 2/2000 Jensen et al. D14/125

* cited by examiner

Primary Examiner—Raphael Barkai

(74) *Attorney, Agent, or Firm*—John T. Whelan; Michael W. Sales

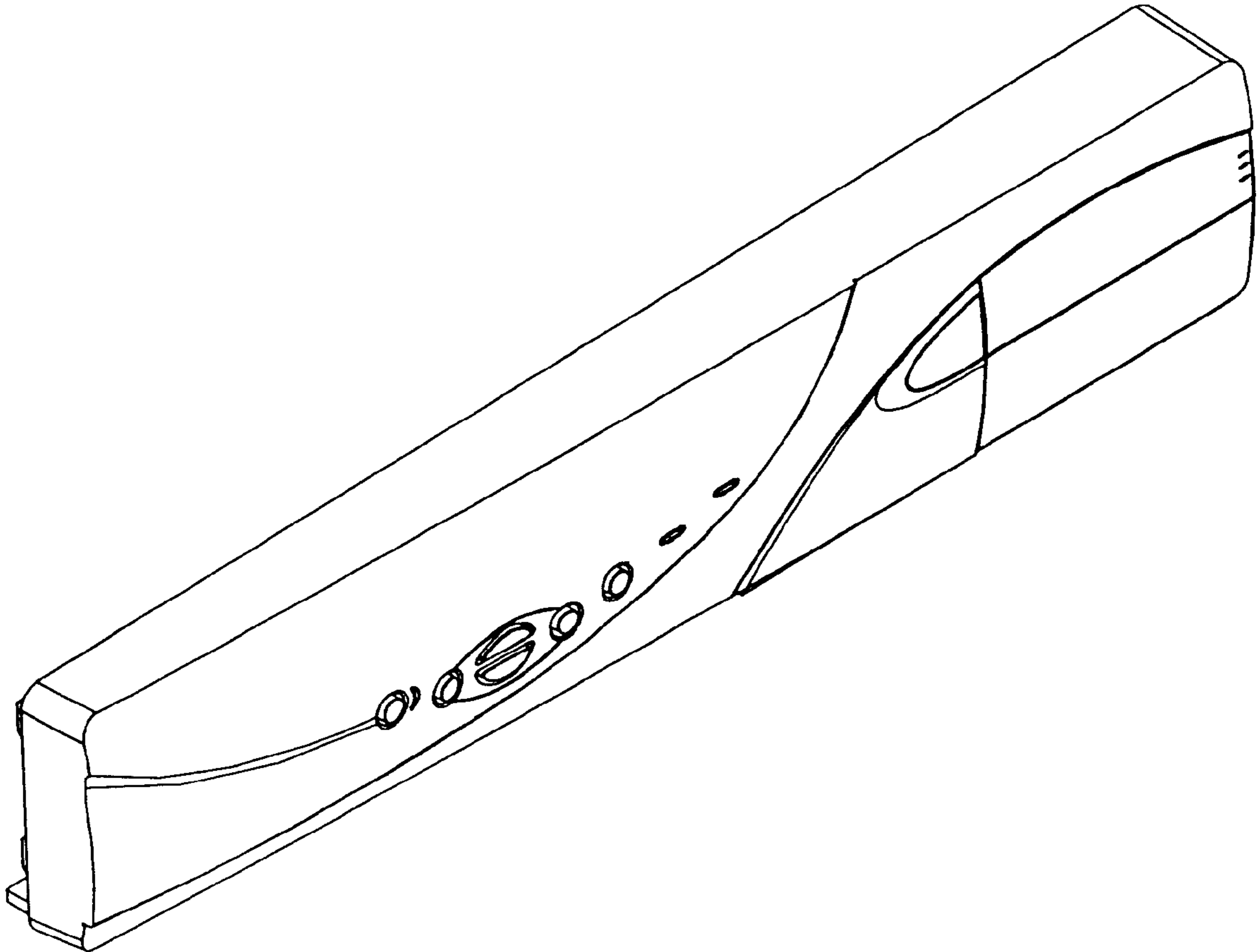
(57) **CLAIM**

The ornamental design for a set top box, as shown and described.

DESCRIPTION

FIG. 1 is a top plan view;
FIG. 2 is a front plant view
FIG. 3 is a right side perspective view; and,
FIG. 4 is a left side perspective view.

1 Claim, 4 Drawing Sheets



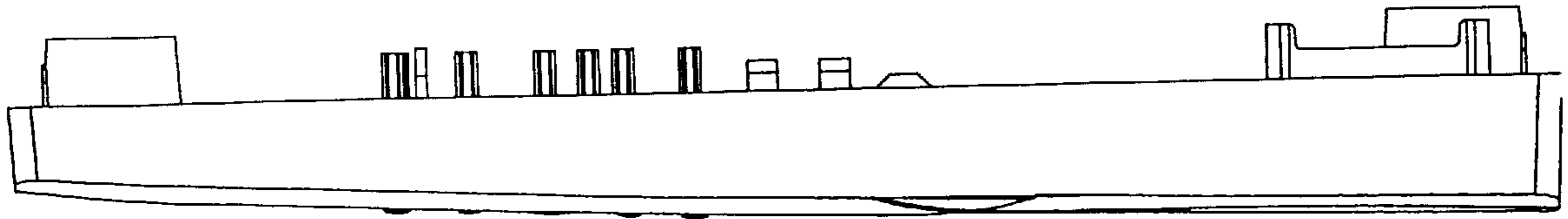


Figure 1

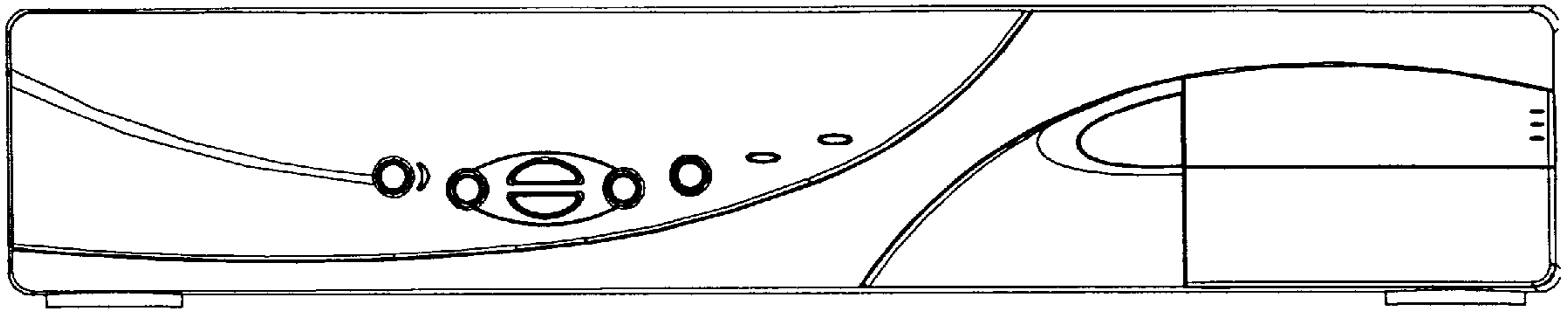


Figure 2

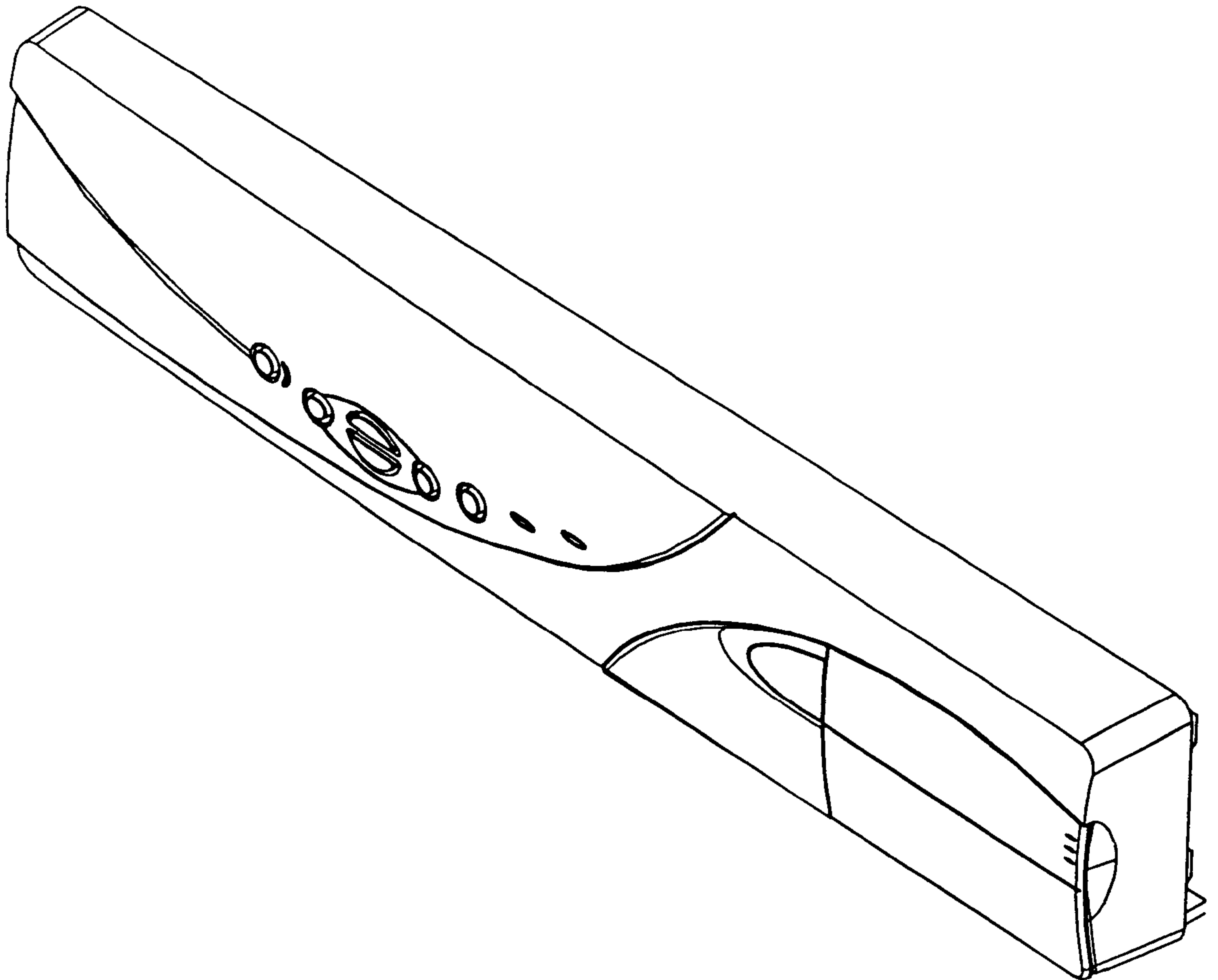


Figure 3

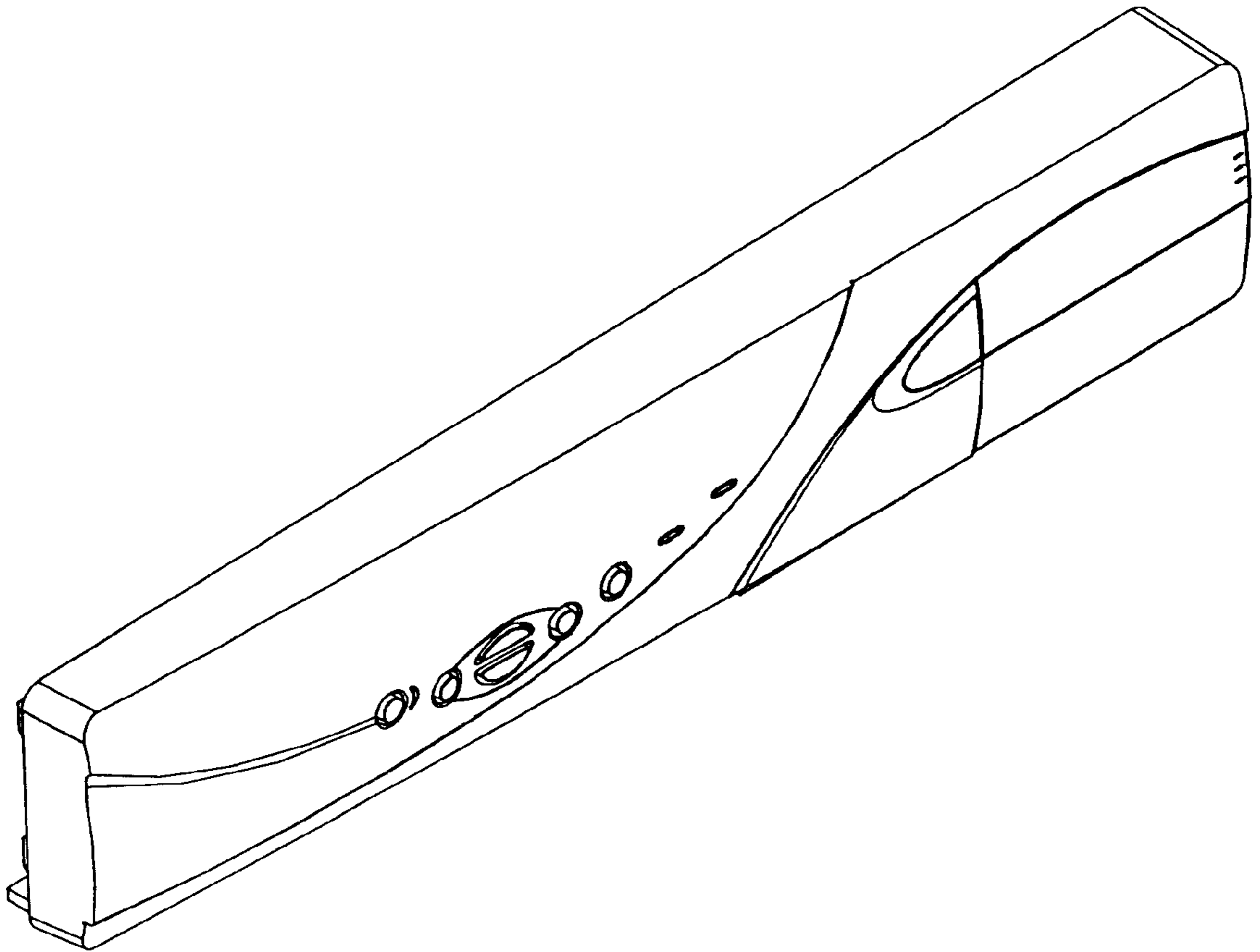


Figure 4