



US00D443252S

(12) **United States Design Patent**
Clapp, Jr. et al.

(10) **Patent No.:** **US D443,252 S**

(45) **Date of Patent:** **** Jun. 5, 2001**

(54) **WALL MOUNT HOUSING**
(75) Inventors: **Donnie R. Clapp, Jr.**, Saginaw; **Mark R. Dagley**, Ft. Worth, both of TX (US)
(73) Assignee: **Corning Cable Systems LLC**, Hickory, NC (US)
(**) Term: **14 Years**
(21) Appl. No.: **29/124,240**
(22) Filed: **Jun. 2, 2000**
(51) **LOC (7) Cl.** **13-03**
(52) **U.S. Cl.** **D13/152; D13/156**
(58) **Field of Search** **D13/152, 154, D13/156; 174/48, 49, 50, 58, 66, 67, 74 R; D14/240; 439/135, 521, 535, 536, 367; 220/3.8**

5,219,297	6/1993	Stein et al.	439/188
5,318,453	6/1994	Hwang	439/131
5,362,254	11/1994	Siemon et al.	439/536
5,473,717	12/1995	Baptiste et al.	385/76
5,484,308	1/1996	Gotz et al.	439/536
5,638,481	6/1997	Arnett	385/135
5,645,449	7/1997	Sabo	439/540.1
5,647,045	7/1997	Robinson et al.	385/135
5,659,650	8/1997	Arnett	385/135
5,676,566	10/1997	Carlson, Jr. et al.	439/638
5,741,158	4/1998	Reed et al.	439/536
5,804,765	9/1998	Siemon et al.	174/65 R
5,838,858	11/1998	White	385/76
5,842,313	12/1998	Murray et al.	52/220.6
5,881,191	3/1999	Liberty	385/58

(List continued on next page.)

OTHER PUBLICATIONS

Alcatel Product Information, Fiber Share TP3+1 Optical Micro Hub.

Primary Examiner—Susan J. Lucas
Assistant Examiner—Jennifer Rivard
(74) *Attorney, Agent, or Firm*—Michael L. Leetzow

(56) **References Cited**
U.S. PATENT DOCUMENTS

4,241,974	12/1980	Hardesty	339/154 A
4,451,101	5/1984	Davis	339/44 M
4,477,141	10/1984	Hardesty	339/122 R
4,558,172	12/1985	Zetena	174/66
4,611,887	9/1986	Glover et al.	350/96.21
4,630,255	12/1986	Gouali et al.	370/3
4,669,802	6/1987	Schaffer	439/535
4,721,476	1/1988	Zeliff et al.	439/142
4,777,664	10/1988	Khoe	455/612
4,820,192 *	4/1989	Denkmann et al.	439/535 X
4,832,436	5/1989	Goto et al.	350/96.2
4,874,904	10/1989	DeSanti	174/53
4,922,056	5/1990	Larsson	174/65 R
4,950,840	8/1990	Zetena	174/66
4,960,317	10/1990	Briggs et al.	350/96.21
4,976,510	12/1990	Davila et al.	350/96.2
4,984,982	1/1991	Brownlie et al.	439/131
4,988,832	1/1991	Shotey	174/67
5,119,455	6/1992	Jennings et al.	385/81
5,122,069	6/1992	Brownlie et al.	439/131
5,124,506	6/1992	Briggs et al.	174/67
5,142,597	8/1992	Mulholland et al.	385/56
5,196,988	3/1993	Horn	361/362

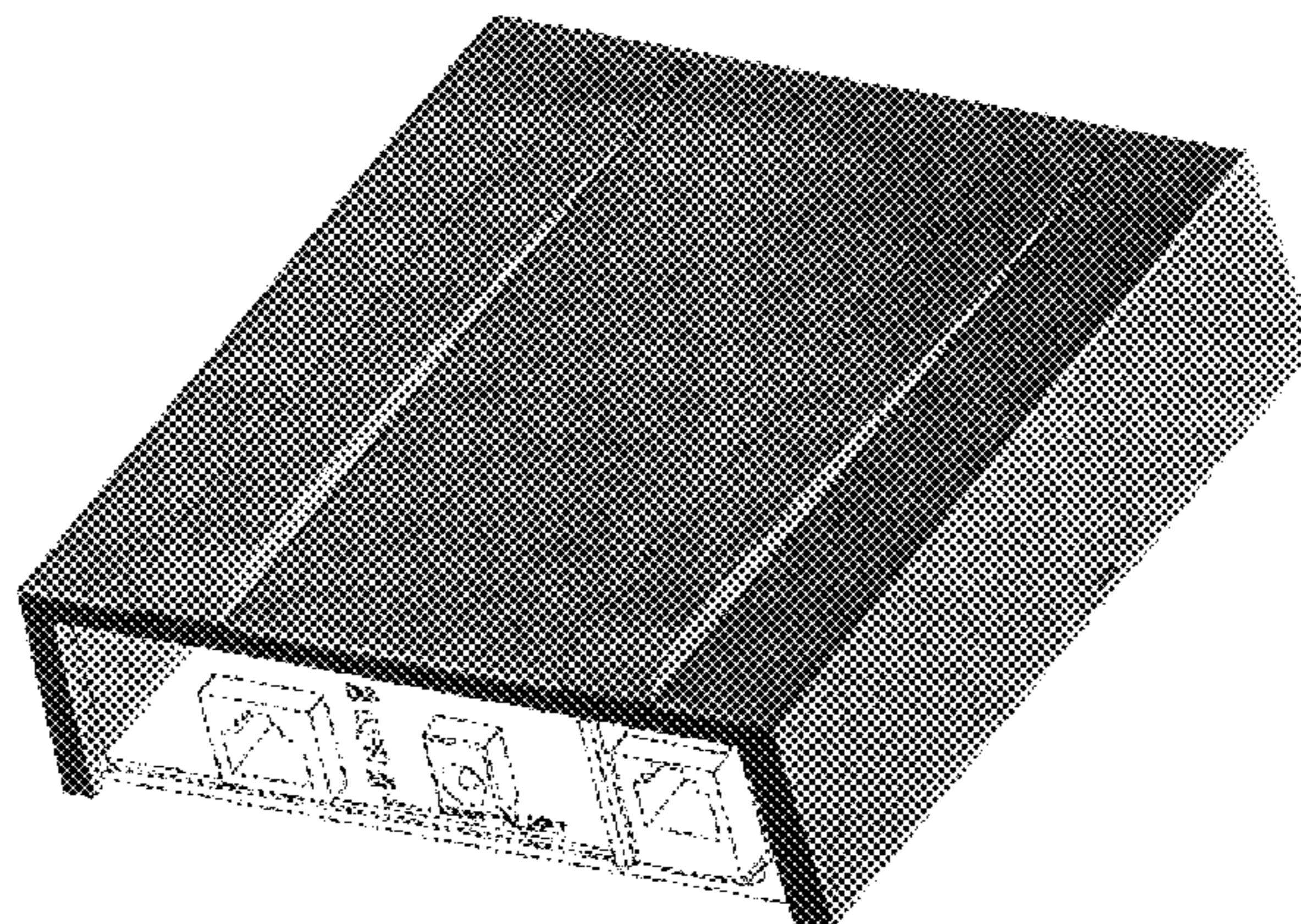
(57) **CLAIM**

The ornamental design for a wall mount housing, as shown and described.

DESCRIPTION

FIG. 1 is a front perspective view of one embodiment of a wall mount housing showing our new design;
FIG. 2 is a front perspective view thereof;
FIG. 3 is a front elevational view thereof;
FIG. 4 is a rear elevational view thereof;
FIG. 5 is a top view thereof;
FIG. 6 is a bottom view thereof;
FIG. 7 is a left view thereof; and,
FIG. 8 is a right view thereof.
The broken lines showing possible internal components in FIG. 1 are for illustrative purposes only and form no part of the claimed invention.

1 Claim, 6 Drawing Sheets



US D443,252 S

Page 2

U.S. PATENT DOCUMENTS

B1 3,950,603	*	4/1976	Brefka	174/50	X							
B1 5,067,907	*	11/1991	Shotey	439/135								
B1 5,143,868	*	9/1992	Caveney et al.	439/535								
							B1 5,497,893	*	3/1996	Mangone	220/3.8	
							B1 5,738,539	*	4/1998	Caveney et al.	439/535	
							B1 5,912,433	*	6/1999	Pulido et al.	174/74	R

* cited by examiner

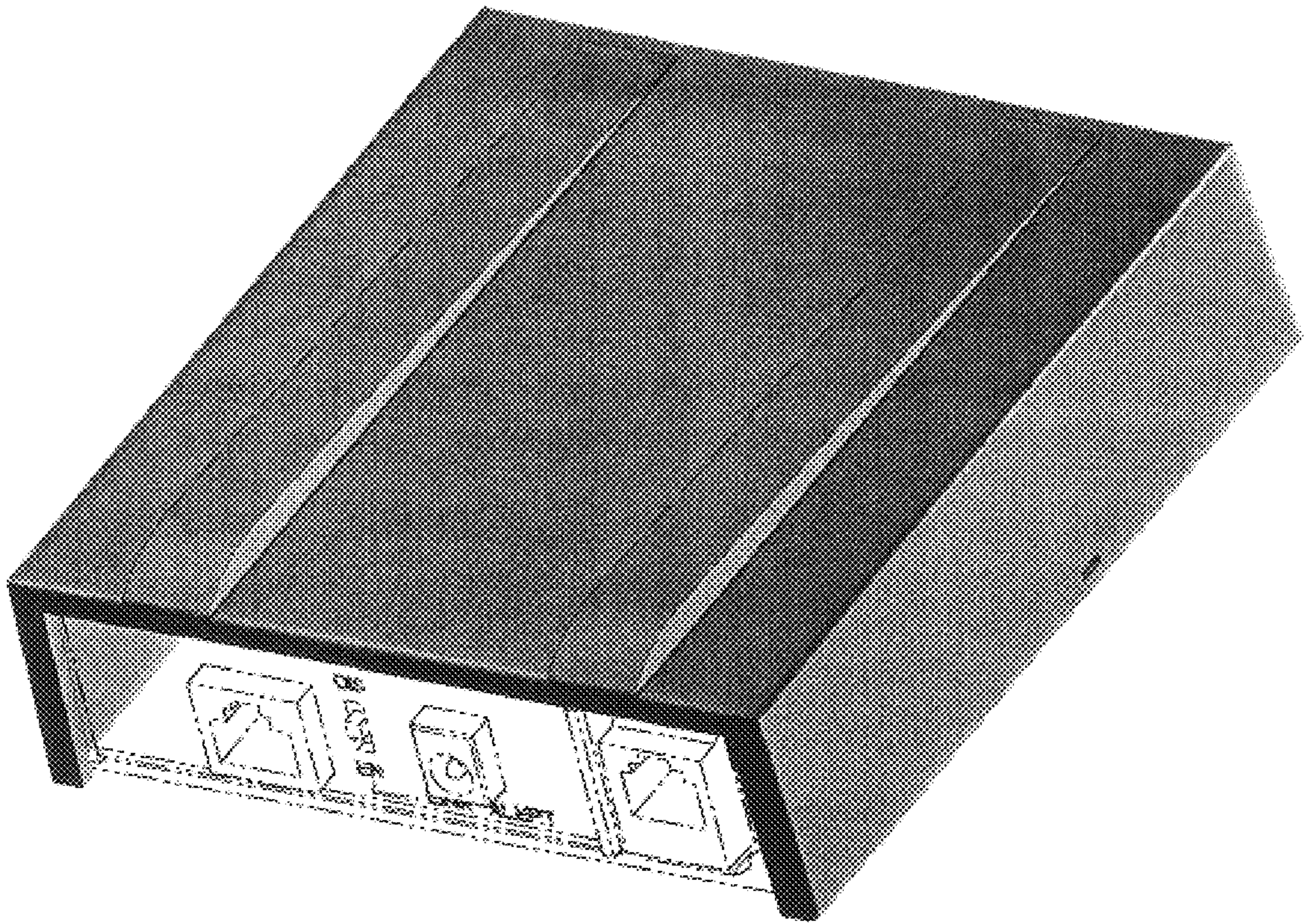


Fig. 1

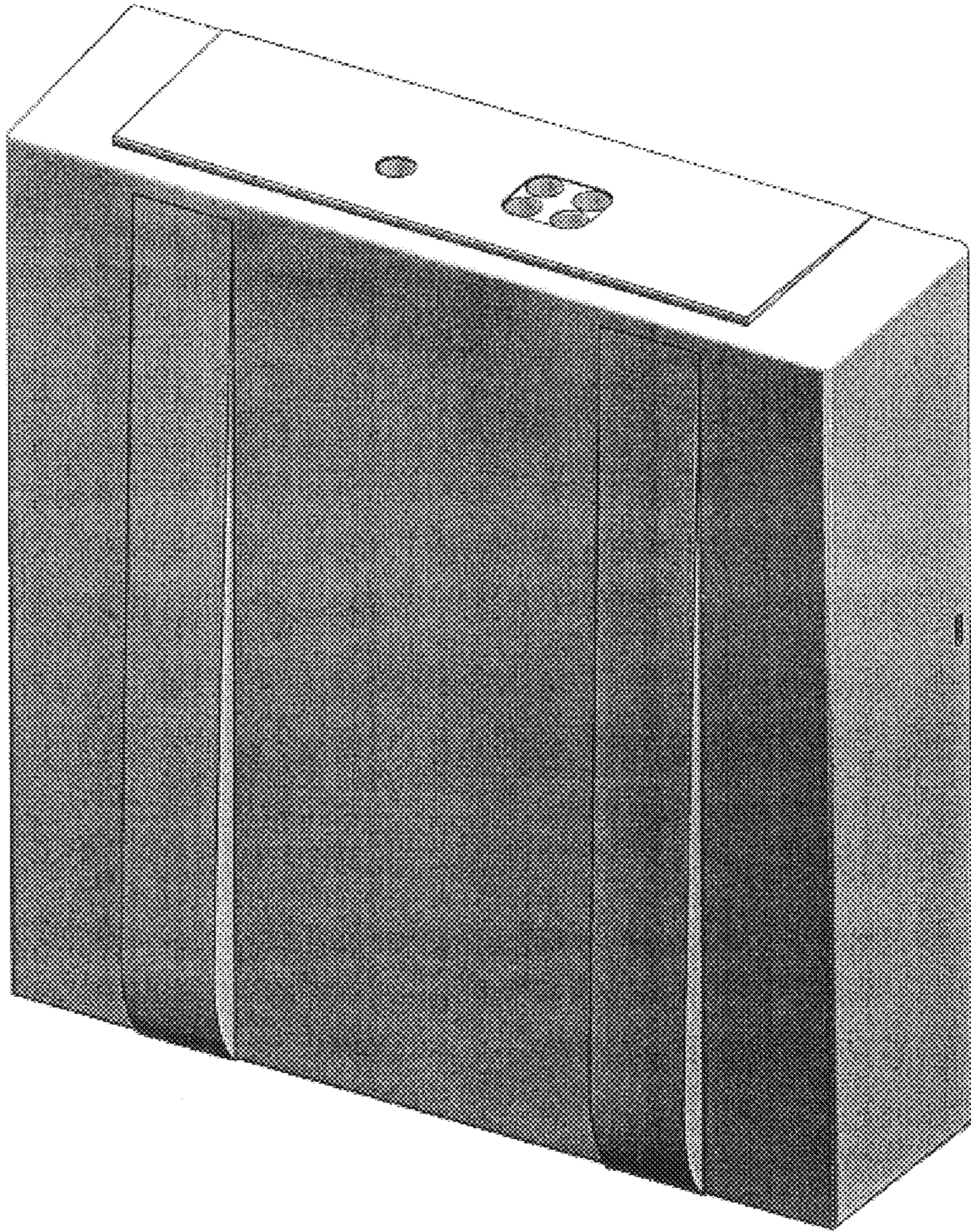


Fig. 2

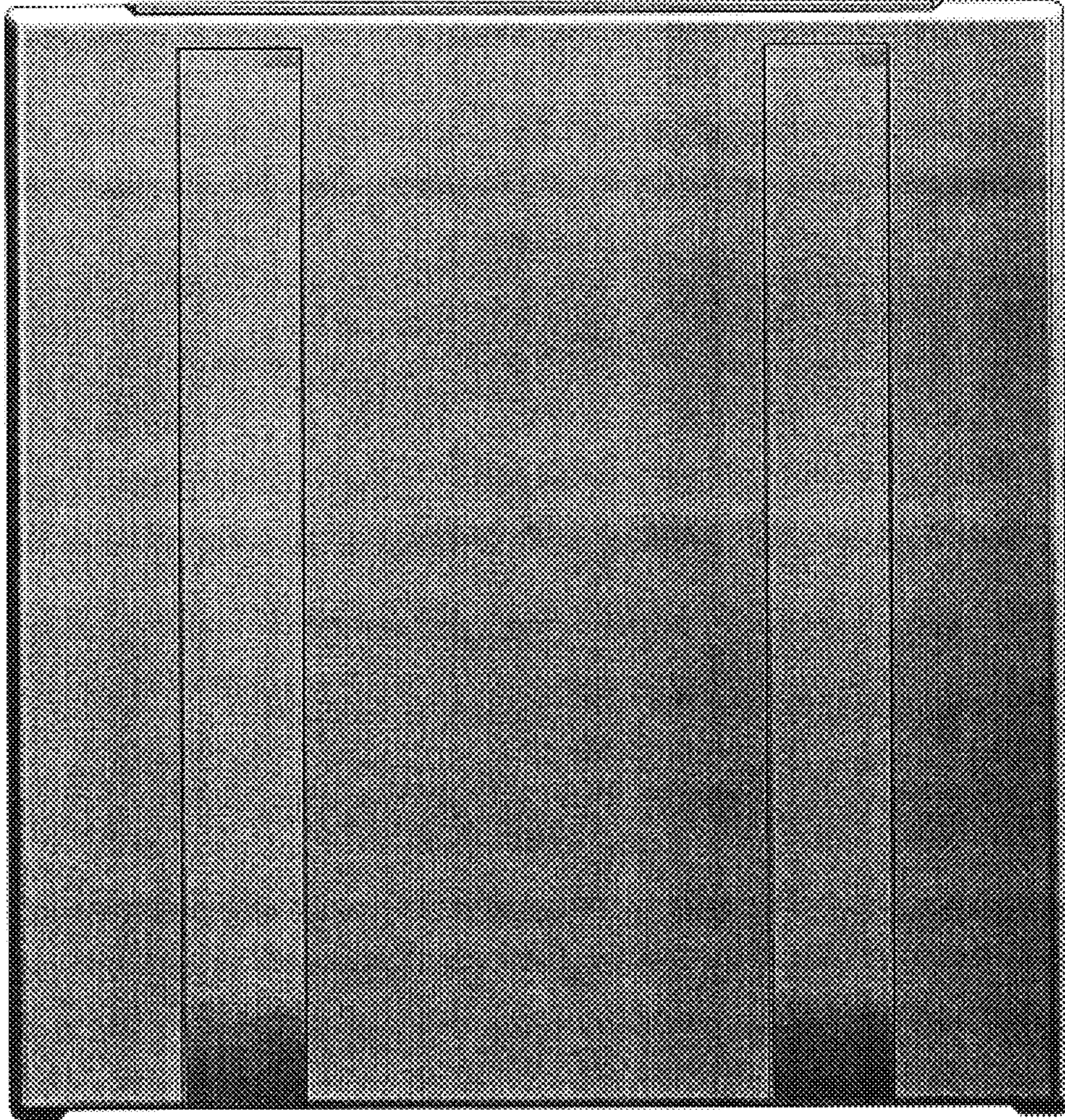


Fig. 3

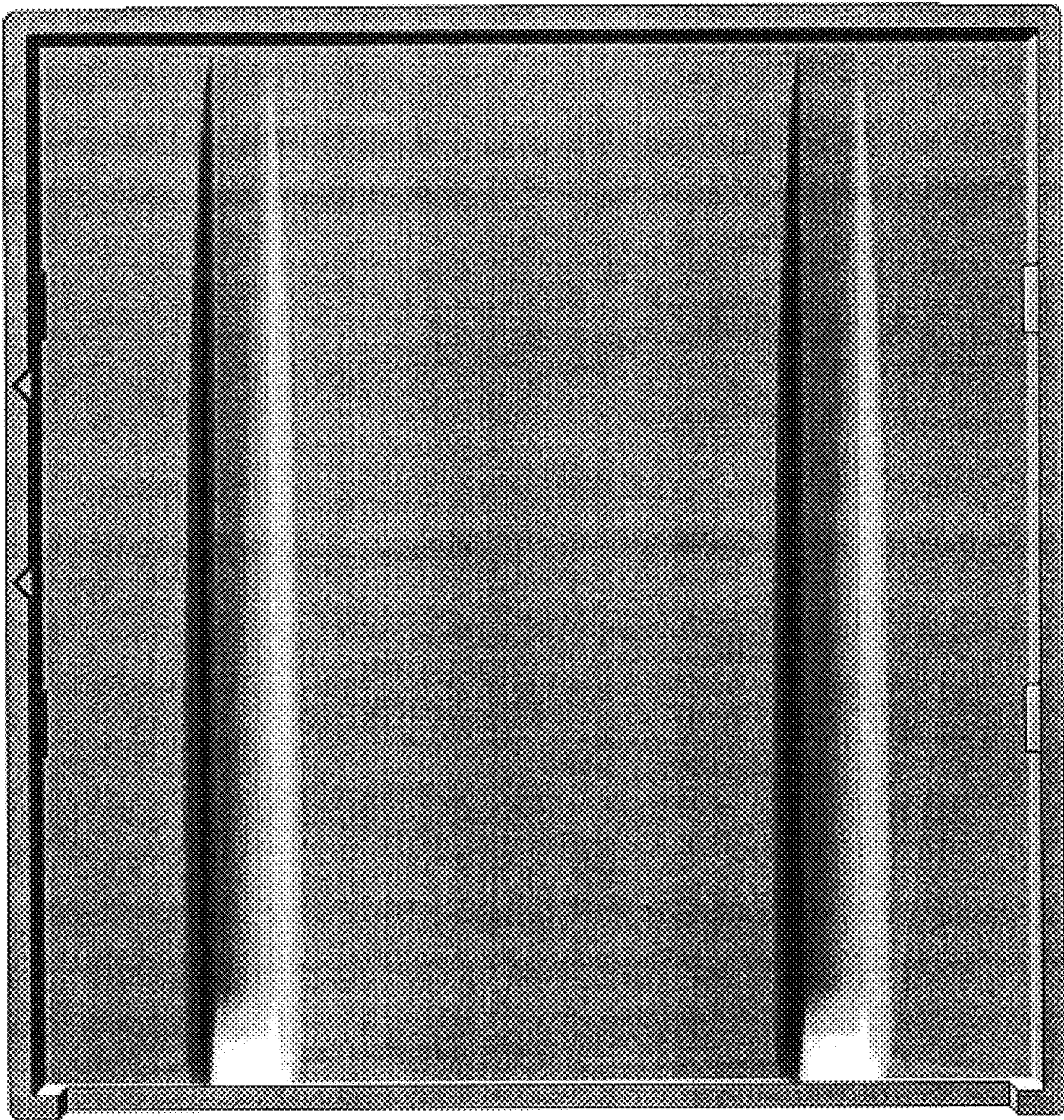


Fig. 4

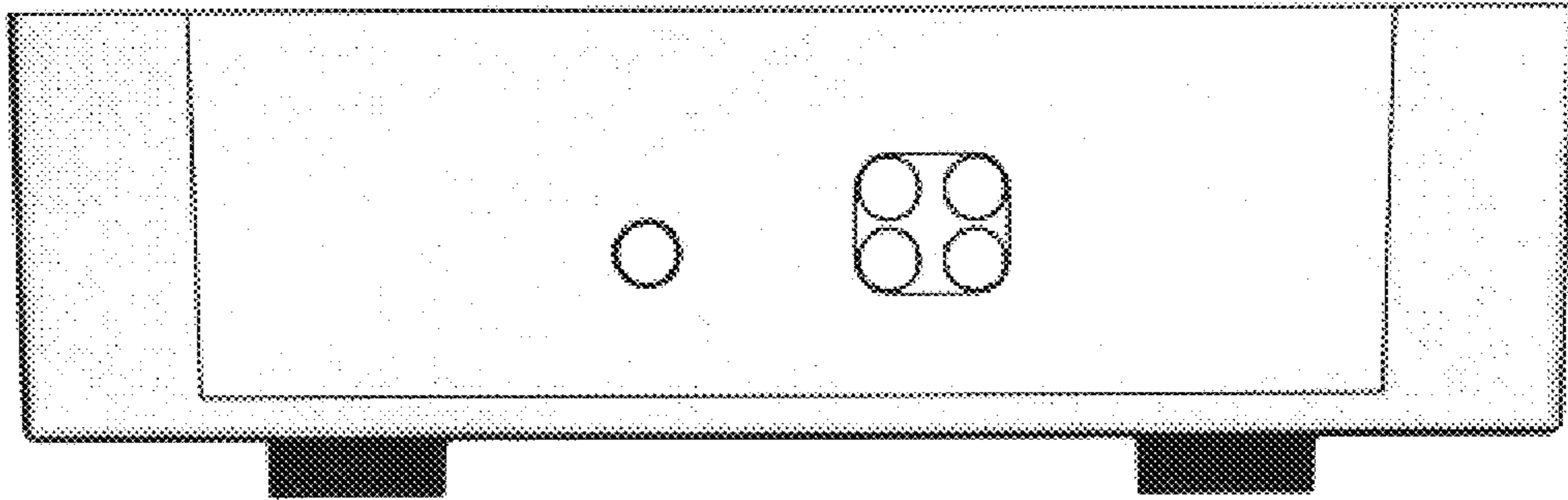


Fig. 5

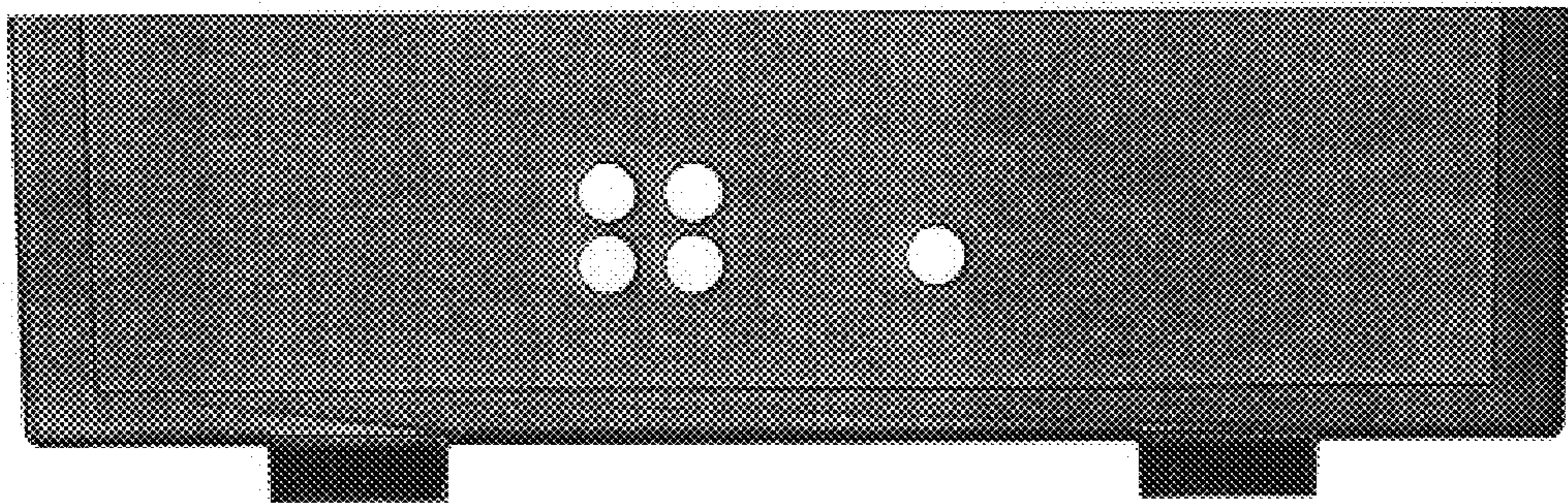


Fig. 6

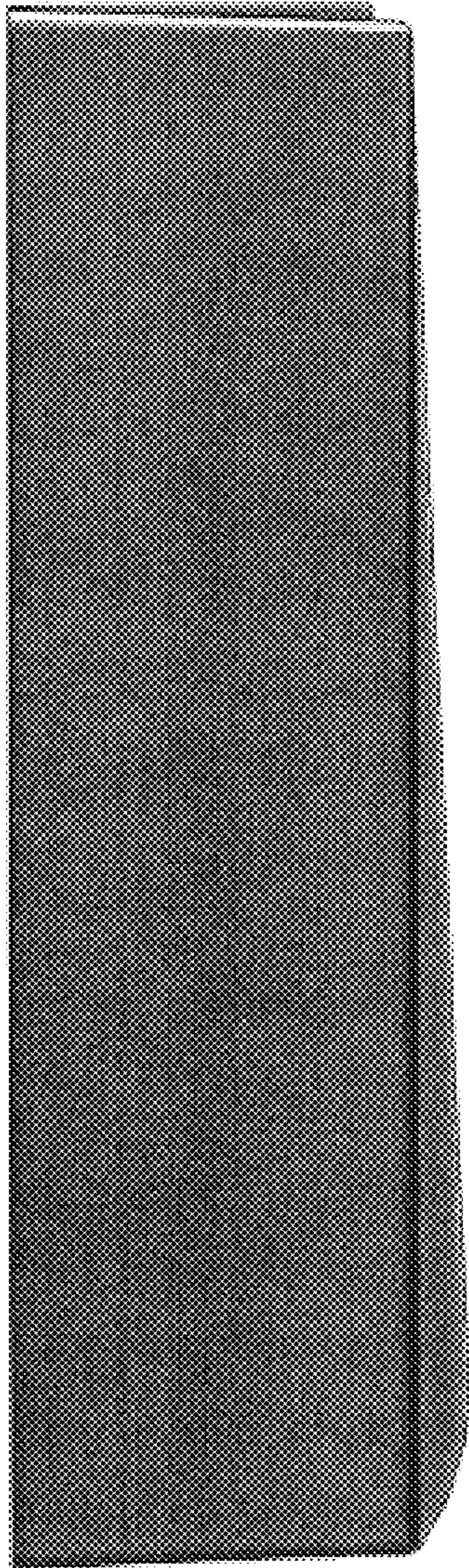


Fig. 7

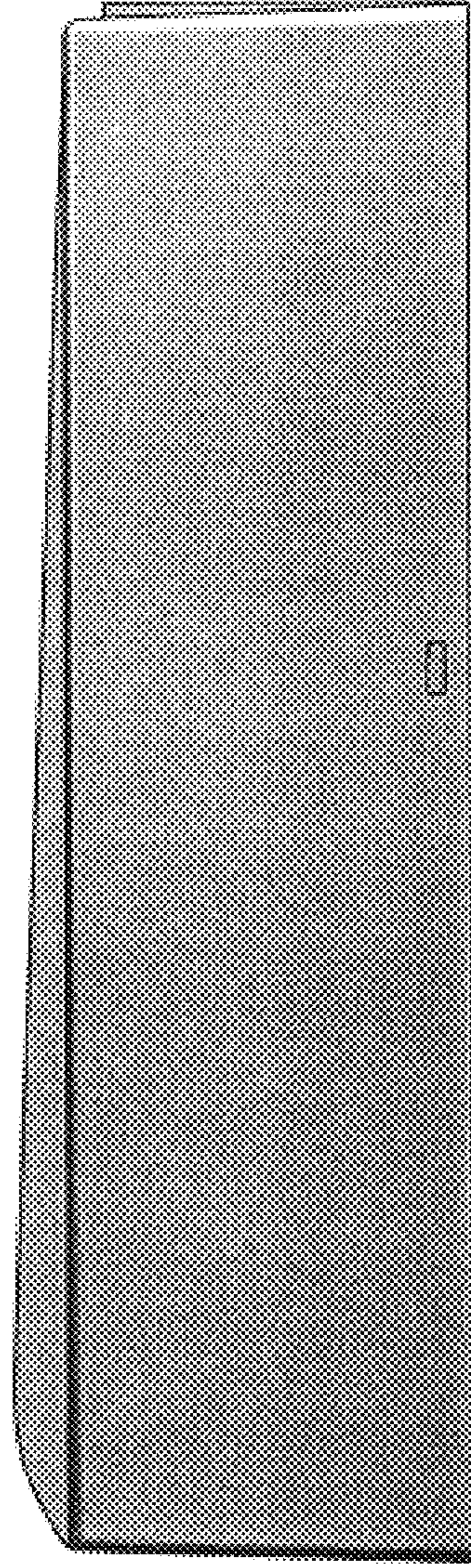


Fig. 8