



US00D443251S

(12) **United States Design Patent**
Wang et al.

(10) **Patent No.: US D443,251 S**

(45) **Date of Patent: ** Jun. 5, 2001**

(54) **ELECTRICAL CONNECTOR**

(75) Inventors: **SuiYa Wang; GuangXing Shi**, both of
KunSan (CN)

(73) Assignee: **Hon Hai Precision Ind. Co., Ltd.**,
Taipei Hsien (TW)

(**) Term: **14 Years**

(21) Appl. No.: **29/131,975**

(22) Filed: **Oct. 30, 2000**

(30) **Foreign Application Priority Data**

Oct. 20, 2000 (TW) 089307062

(51) **LOC (7) Cl.** **13-03**

(52) **U.S. Cl.** **D13/147**

(58) **Field of Search** D13/146, 147,
D13/154; 439/607-610, 541.5

(56) **References Cited**

U.S. PATENT DOCUMENTS

- D. 405,053 * 2/1999 Tan et al. D13/147
- D. 409,984 * 5/1999 Wu D13/147
- D. 414,464 * 9/1999 Wu D13/146

- D. 418,480 * 1/2000 Yeh D13/147
- D. 418,817 * 1/2000 Wu D13/147
- D. 425,867 * 5/2000 Lok D13/147
- 5,676,569 * 10/1997 Davis 439/609 X
- 6,036,544 * 3/2000 Brunner et al. 439/607
- 6,132,254 * 10/2000 Wu 439/607
- 6,135,790 * 10/2000 Huang et al. 439/79
- 6,139,367 * 10/2000 Yeh 439/609

* cited by examiner

Primary Examiner—Joel Sincavage

(74) *Attorney, Agent, or Firm*—Wei Te Chung

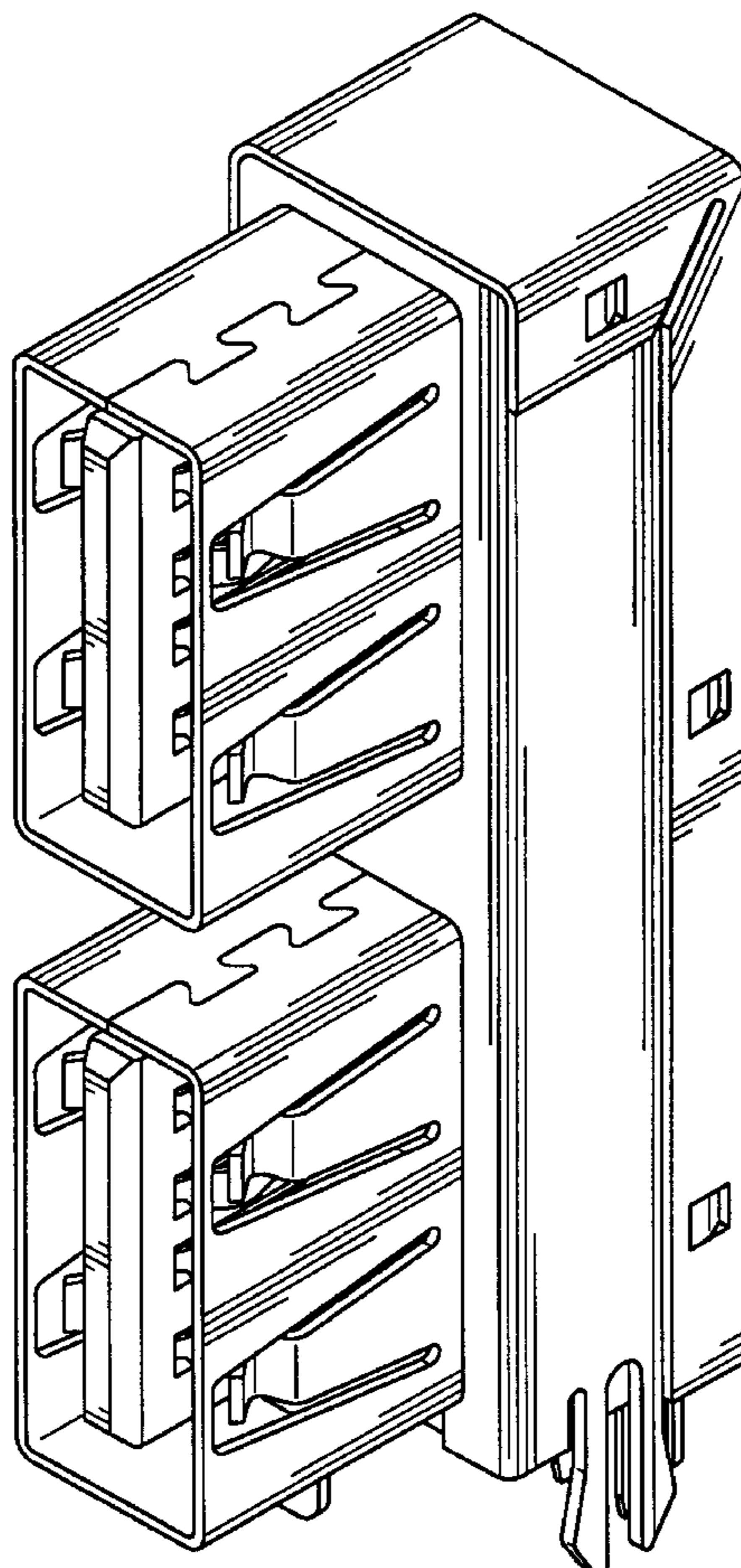
(57) **CLAIM**

The ornamental design for an electrical connector, as shown.

DESCRIPTION

FIG. 1 is a front, top and right side perspective view of an electrical connector showing our new design;
 FIG. 2 is a front elevational view thereof;
 FIG. 3 is a rear elevational view thereof;
 FIG. 4 is a left side elevational view thereof;
 FIG. 5 is a right side elevational view thereof;
 FIG. 6 is a top plan view thereof; and,
 FIG. 7 is a bottom plan view thereof.

1 Claim, 7 Drawing Sheets



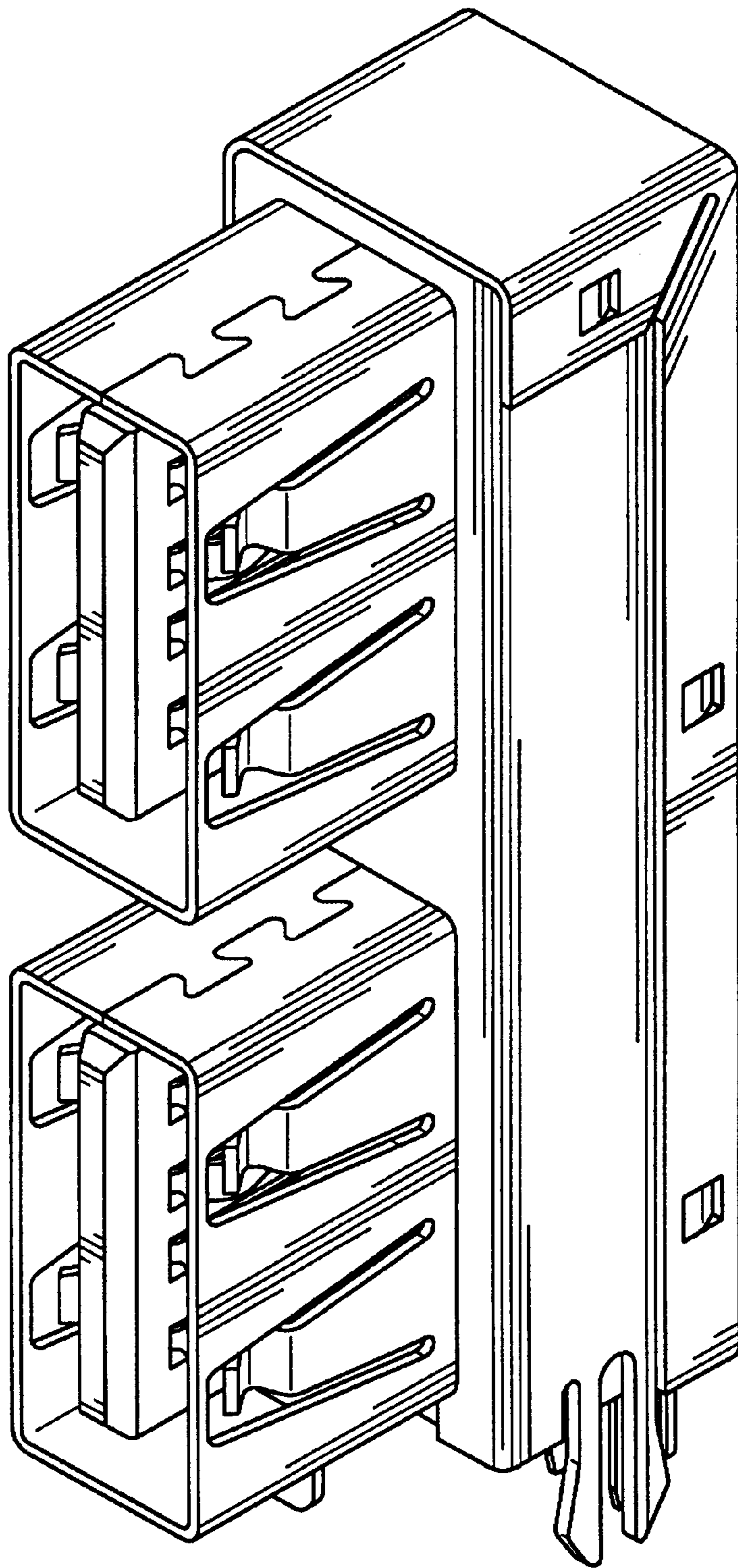


FIG. 1

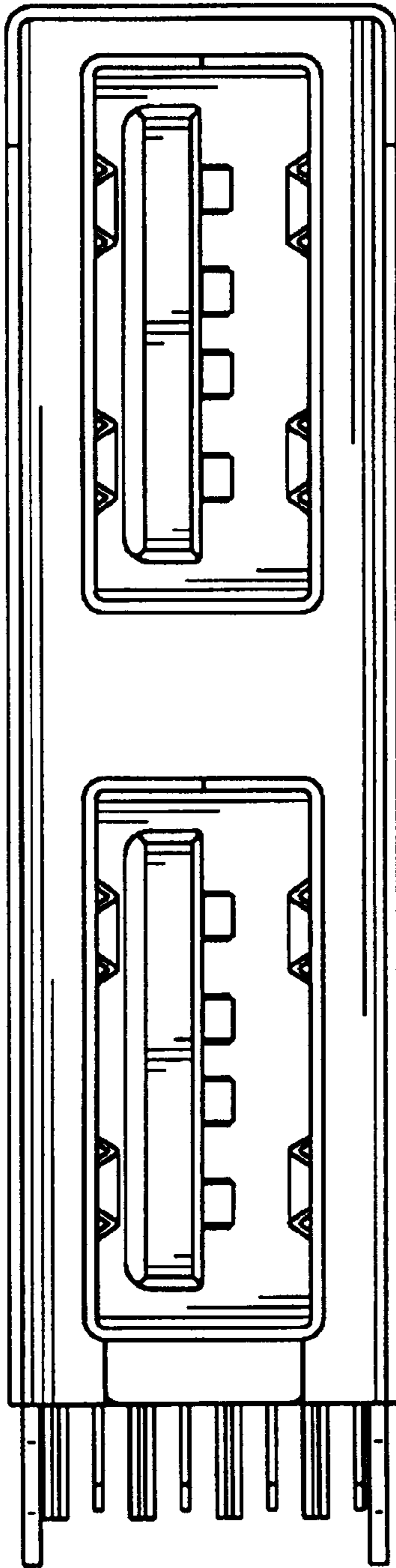


FIG. 2

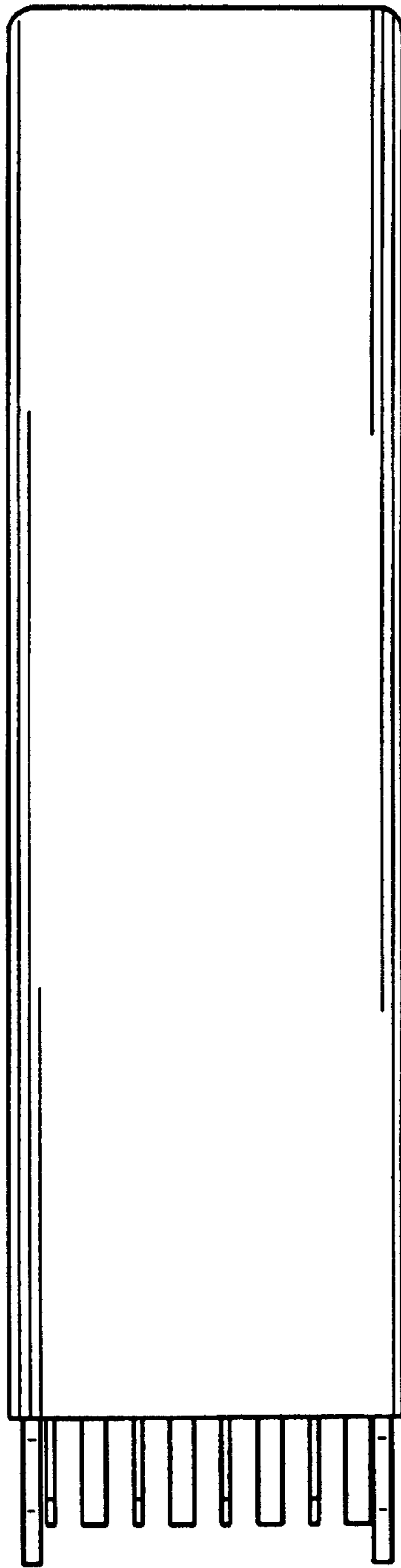


FIG. 3

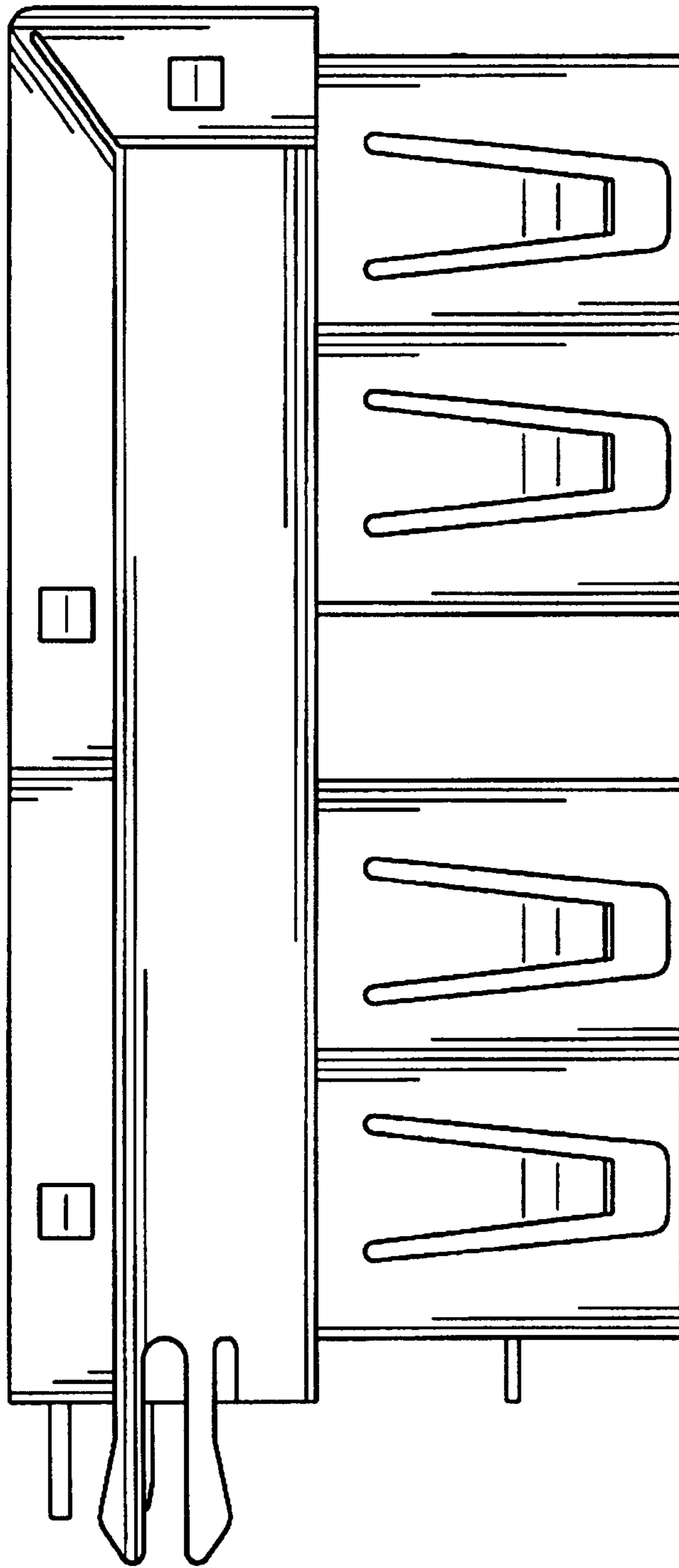


FIG. 4

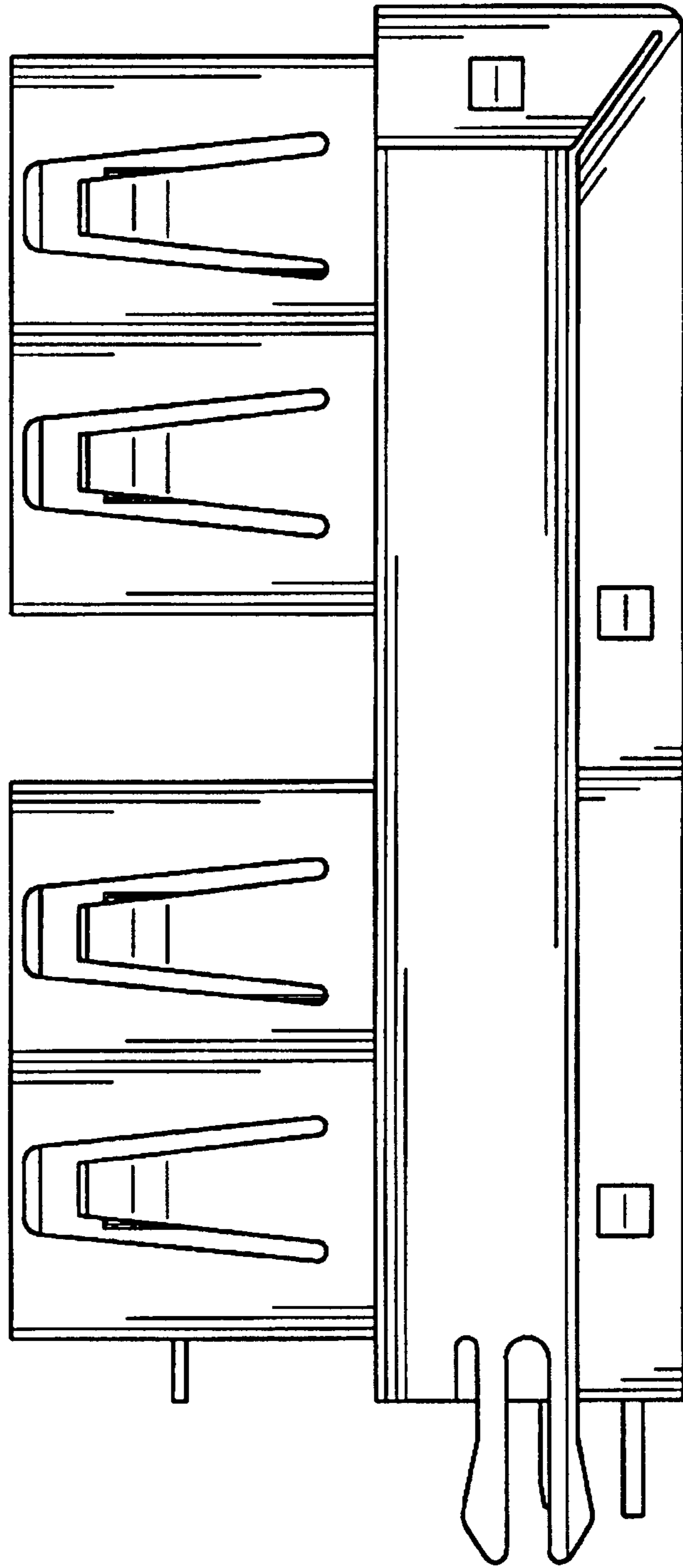


FIG. 5

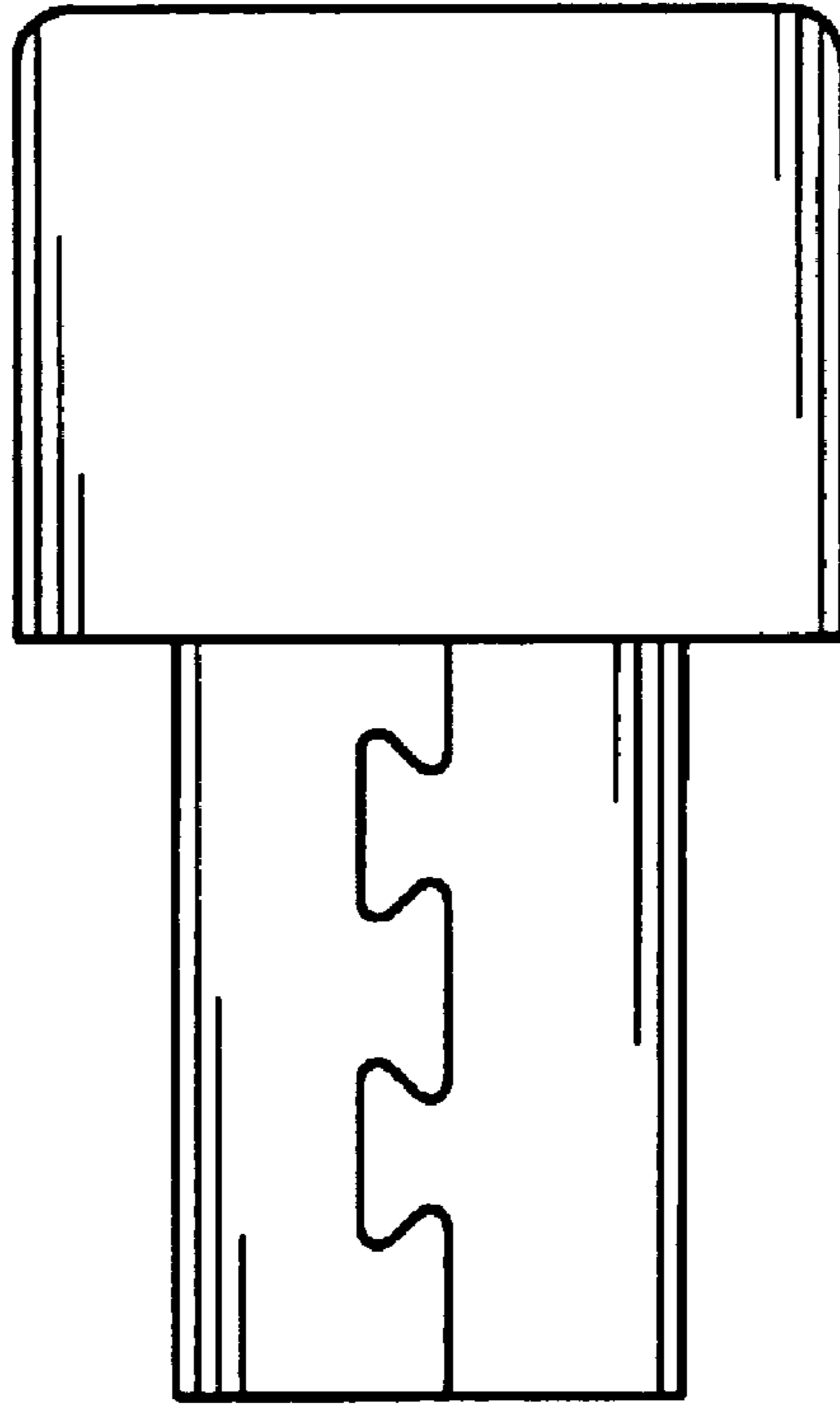


FIG. 6

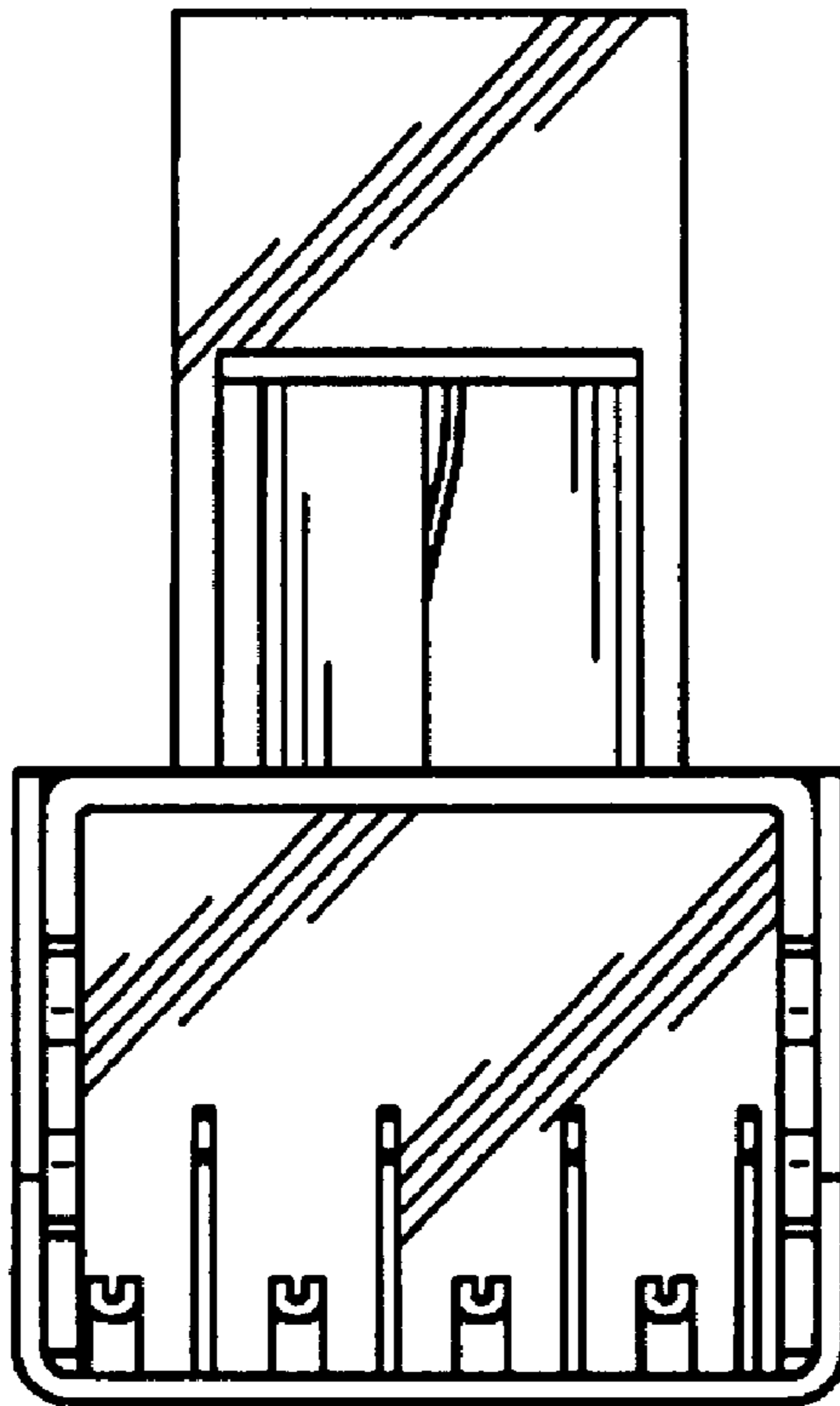


FIG. 7