



US00D443247S

(12) **United States Design Patent**
Chuan et al.

(10) **Patent No.:** **US D443,247 S**

(45) **Date of Patent:** **** Jun. 5, 2001**

(54) **BATTERY CHARGER AND SYNCHRONIZING DEVICE**

(75) **Inventors:** **Lim Kok Chuan; Chin Ming Seng; Lee Aik Peng; Patrick Yeo Siok Hui,**
all of Singapore (SG)

(73) **Assignee:** **Patria Design Centre Pte Ltd.,**
Singapore (SG)

(**) **Term:** **14 Years**

(21) **Appl. No.:** **29/124,272**

(22) **Filed:** **Jun. 2, 2000**

(30) **Foreign Application Priority Data**

Jan. 14, 2000 (SG) 2089501

(51) **LOC (7) Cl.** **13-02**

(52) **U.S. Cl.** **D13/107**

(58) **Field of Search** D13/107, 108,
D13/118; D14/149, 251, 253; 320/110-115

(56) **References Cited**

U.S. PATENT DOCUMENTS

D. 370,658 * 6/1996 Siddoway et al. D13/108

D. 385,283 * 10/1997 Snyder et al. D14/253
D. 412,702 * 8/1999 Goto D14/114
D. 419,955 * 2/2000 Silzer, Jr. D13/108
5,231,511 * 7/1993 Kodama et al. 386/118
5,627,450 * 5/1997 Ryan et al. 320/15
6,046,571 * 4/2000 Bovio et al. 320/113

* cited by examiner

Primary Examiner—Joel Sincavage

(74) *Attorney, Agent, or Firm*—Morgan & Finnegan, LLP

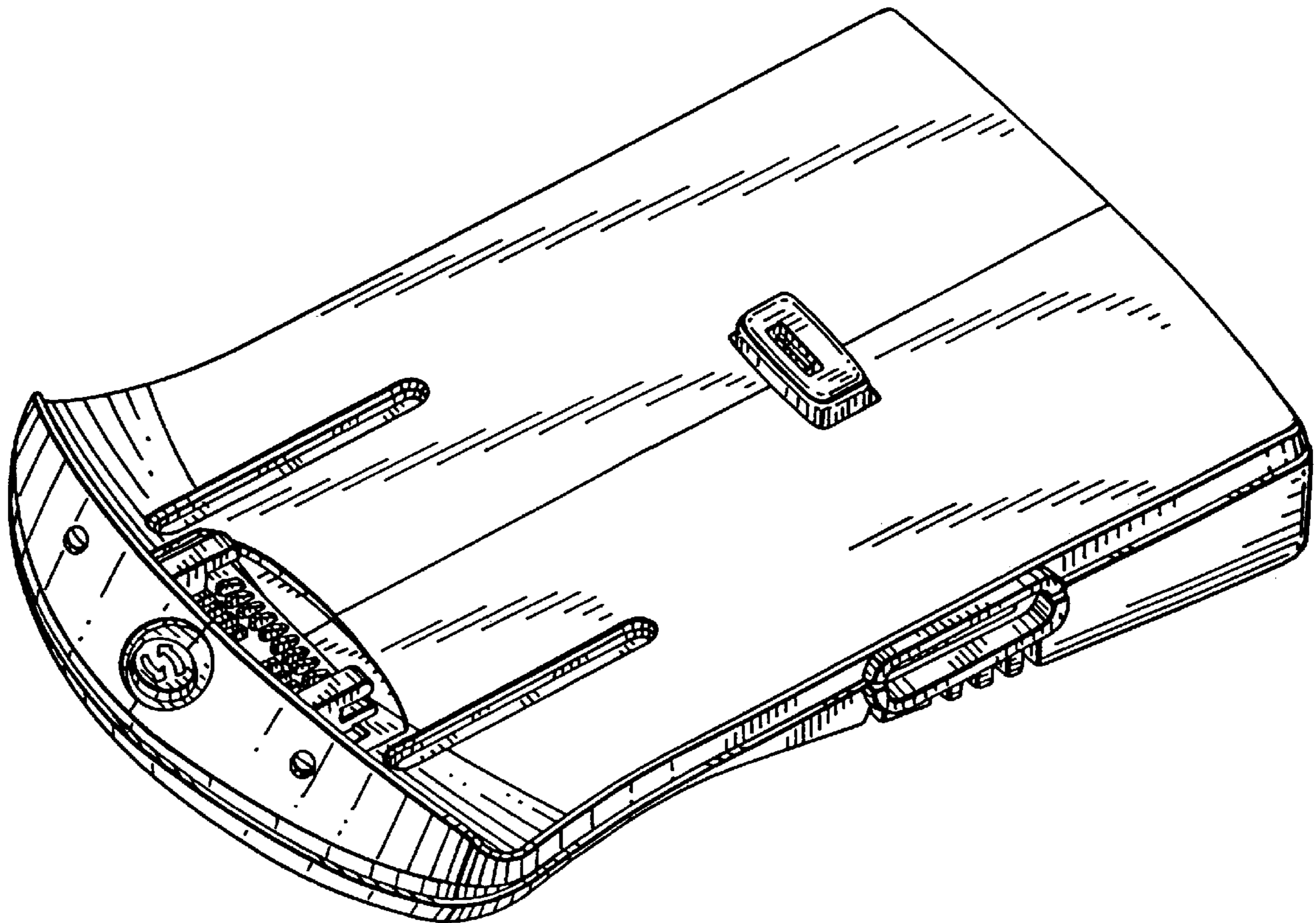
(57) **CLAIM**

We claim the ornamental design for a battery charger and synchronizing device, as shown.

DESCRIPTION

FIG. 1 is a perspective view of a design for the battery charger and synchronizing device;
FIG. 2 is a top plan view thereof;
FIG. 3 is a bottom plan view thereof;
FIG. 4 is a front elevational view thereof;
FIG. 5 is a rear elevational view thereof;
FIG. 6 is a left side elevational view thereof; and,
FIG. 7 is a right side elevational view thereof.

1 Claim, 3 Drawing Sheets



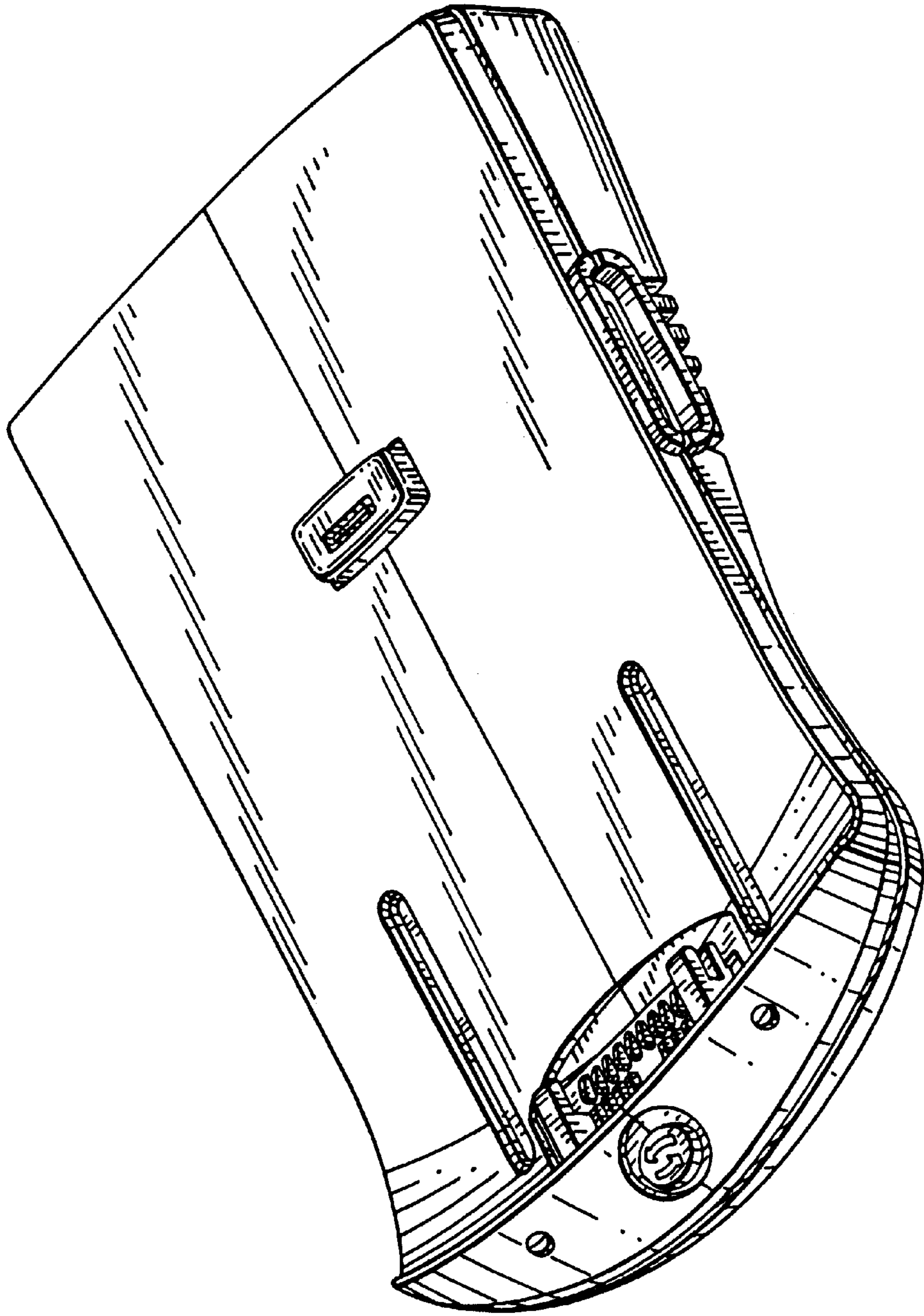


FIG. 1

FIG. 2

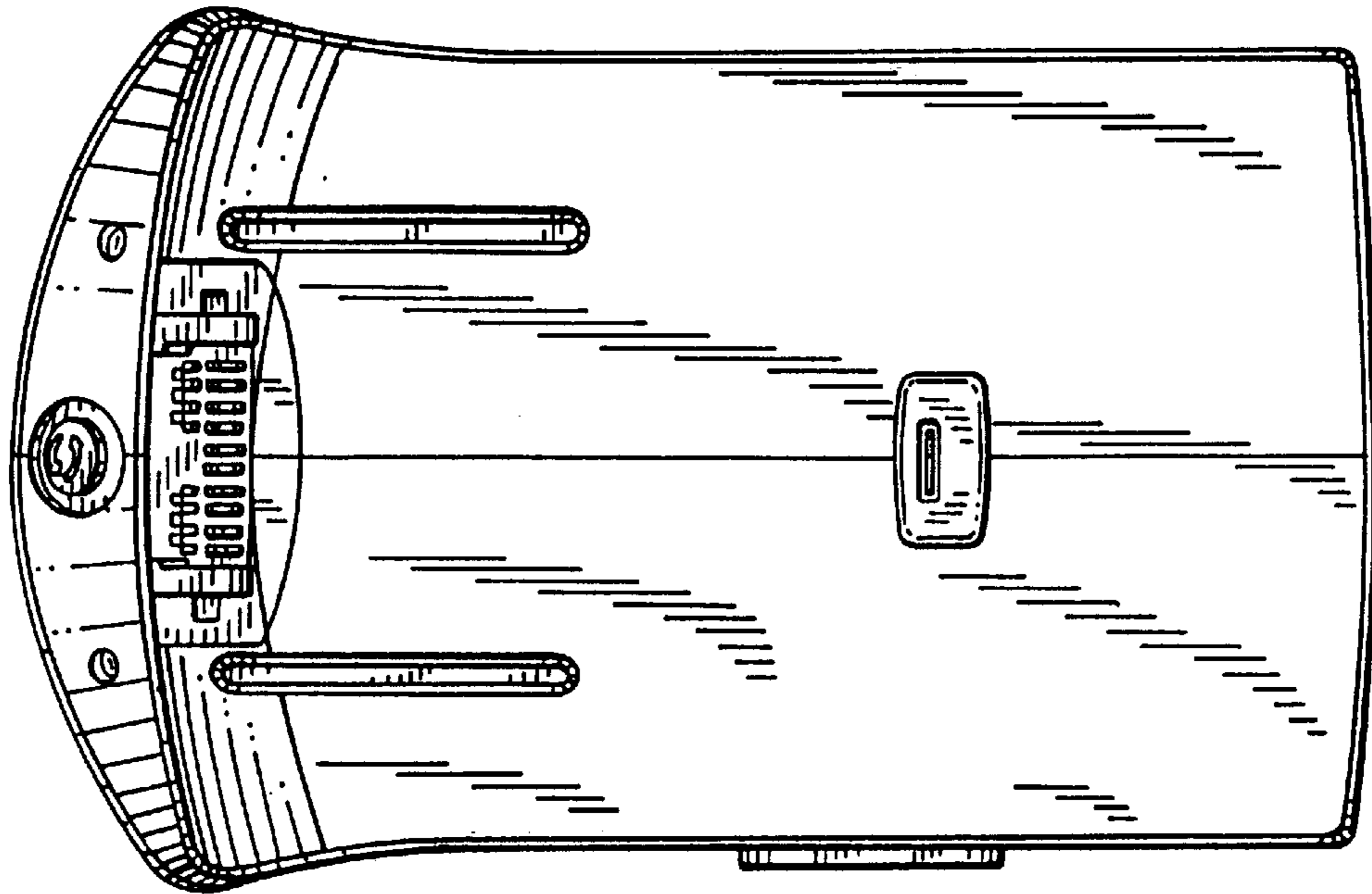
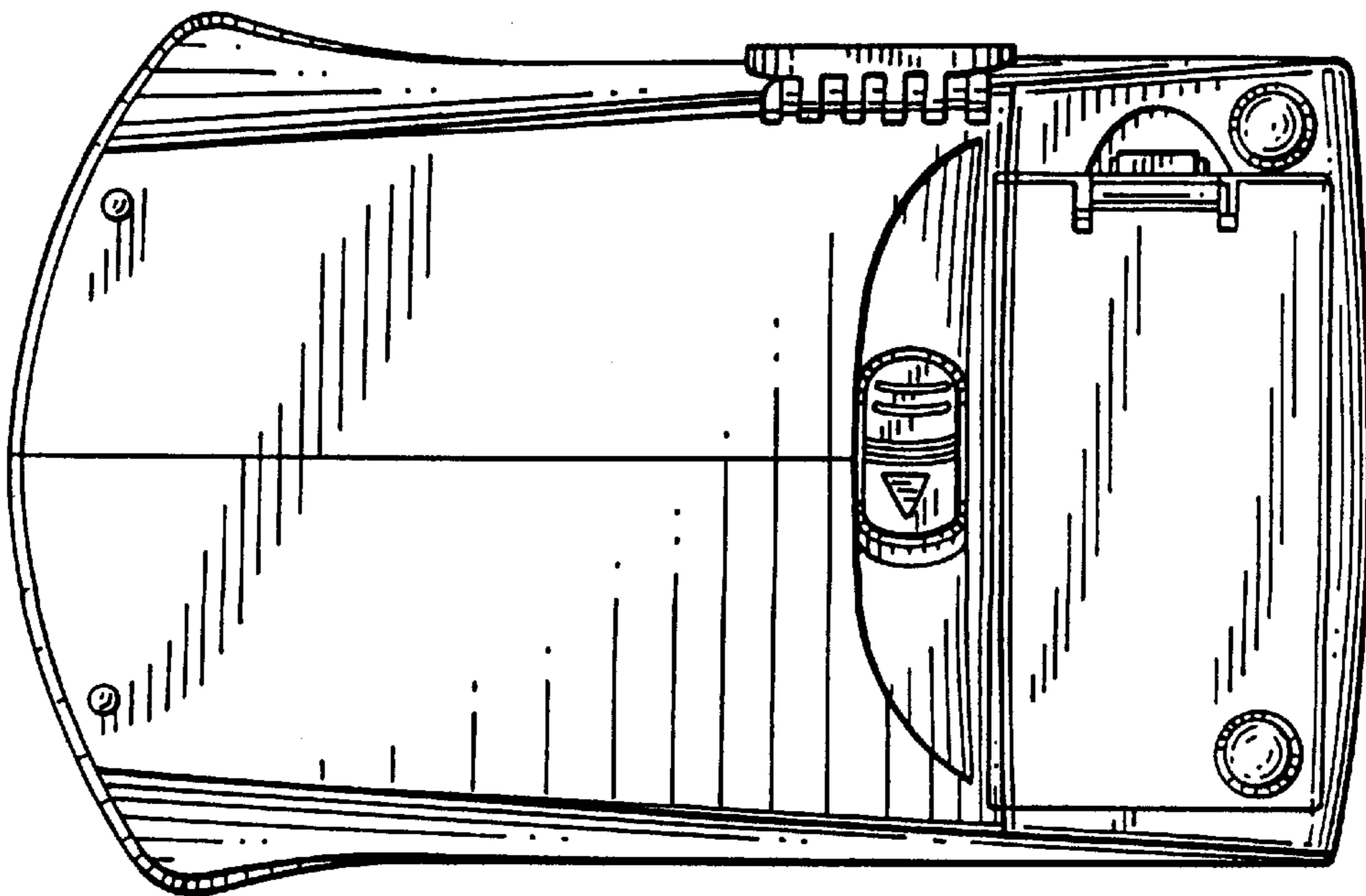


FIG. 3



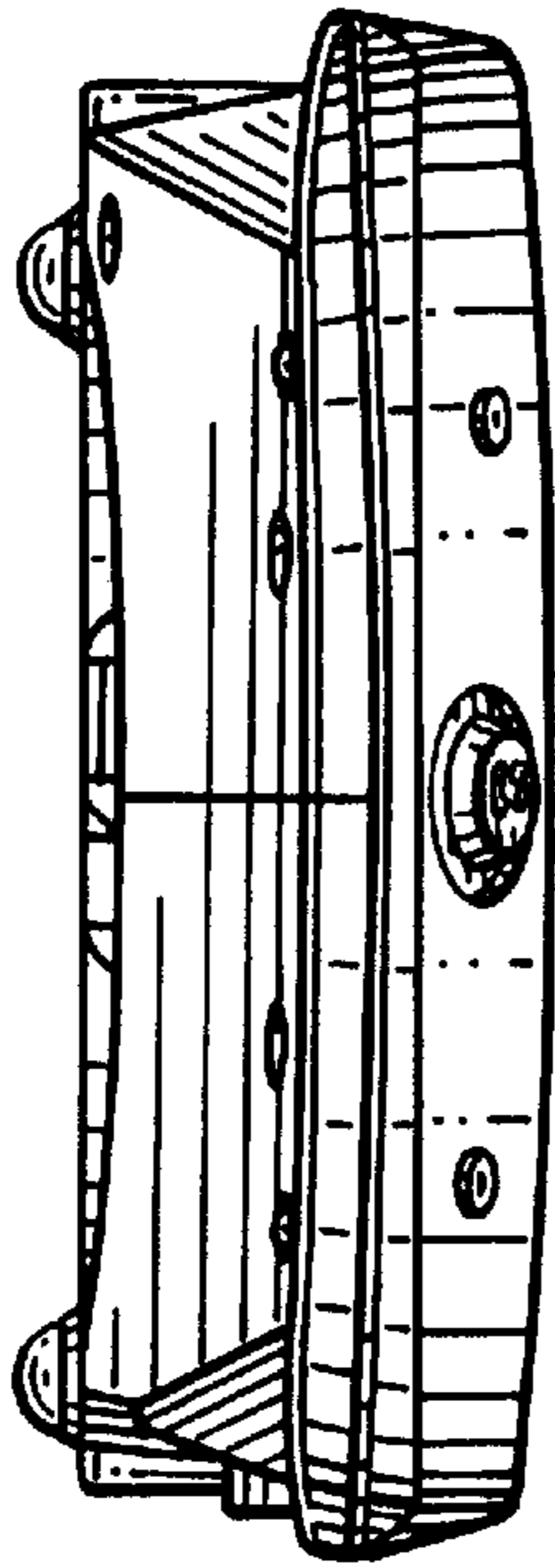


FIG. 4

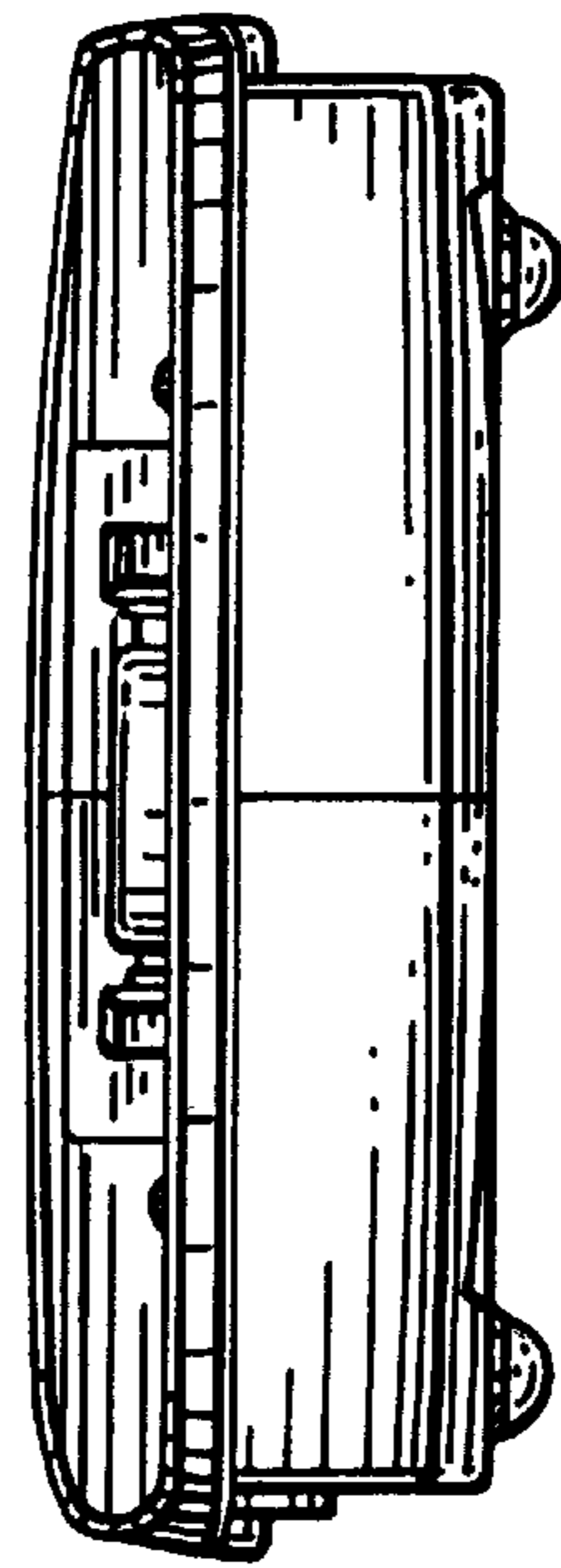


FIG. 5

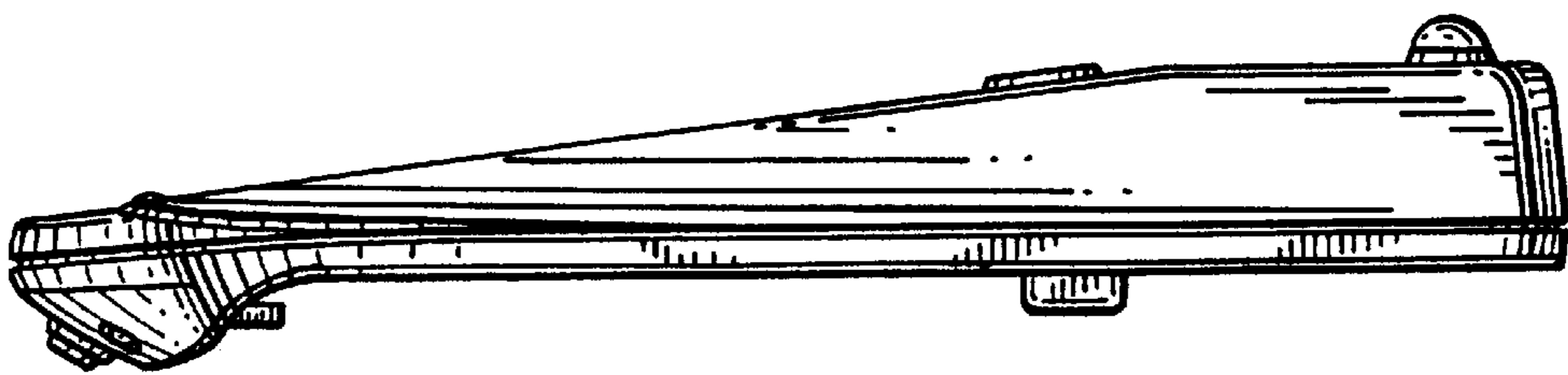


FIG. 6

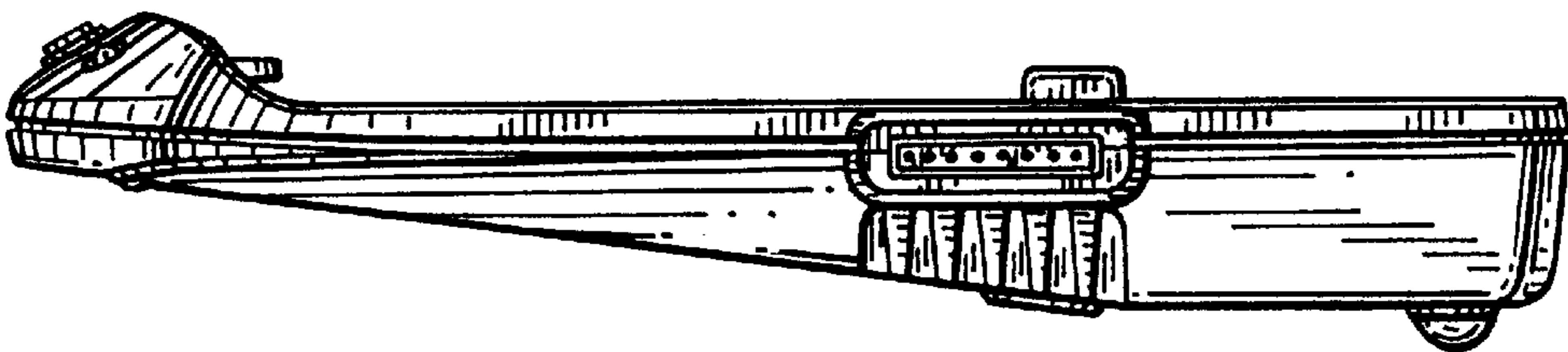


FIG. 7