



US00D443233S

(12) **United States Design Patent** (10) **Patent No.:** **US D443,233 S**  
**Gaudet et al.** (45) **Date of Patent:** **\*\* Jun. 5, 2001**

(54) **WALKER**

(75) Inventors: **Pierre Gaudet**, Joliette; **Stephane Lepage**, Bureau, both of (CA); **Ralph M. Nowak**, Marblehead, MA (US)

(73) Assignee: **The First Years Inc.**, Mission Viejo, CA (US)

(\* ) Notice: This patent is subject to a terminal disclaimer.

(\*\*) Term: **14 Years**

(21) Appl. No.: **29/085,629**

(22) Filed: **Mar. 26, 1998**

(51) **LOC (7) Cl.** ..... **12-12**

(52) **U.S. Cl.** ..... **D12/130**

(58) **Field of Search** ..... D12/128, 130, D12/129, 133; D21/475, 535, 533, 534; 280/755, 87.051, 87.02; 135/67; 482/68; 297/5, 6

(56) **References Cited**

**U.S. PATENT DOCUMENTS**

D. 308,657	6/1990	Hu .
D. 321,216	10/1991	Pape et al. .
D. 329,030	9/1992	Myers .
D. 339,772	9/1993	Hu .
D. 353,566	12/1994	Chow et al. .
D. 356,531	3/1995	Valenti .
D. 358,791	5/1995	Cacciola et al. .
1,729,557	9/1929	Stoll .

(List continued on next page.)

**FOREIGN PATENT DOCUMENTS**

0 313 177 A1	4/1989	(EP) .
0 313 408 A1	4/1989	(EP) .
2 211 428	7/1989	(GB) .
2 211 429	7/1989	(GB) .
WO 96/09785	4/1996	(WO) .

*Primary Examiner*—Kay H. Chin

(74) *Attorney, Agent, or Firm*—Fish & Richardson P.C.

(57) **CLAIM**

The ornamental design for a walker, as shown and described.

**DESCRIPTION**

FIG. 1 is a front perspective view of a walker showing our new design, the optional elements shown in broken lines are for illustrative purposes only;

FIG. 2 is a left side elevational view of FIG. 1;

FIG. 3 is a right side elevational view of FIG. 1;

FIG. 4 is a front elevational view of FIG. 1;

FIG. 5 is a rear elevational view of FIG. 1;

FIG. 6 is a top plan view of FIG. 1;

FIG. 7 is a bottom plan view of FIG. 1;

FIG. 8 is a front perspective view of the walker with the tray removed and reoriented for use as a gym or play center;

FIG. 9 is a rear perspective view of FIG. 8;

FIG. 10 is a left side elevational view of FIG. 8;

FIG. 11 is a right side elevational view of FIG. 8;

FIG. 12 is a front elevational view of FIG. 8;

FIG. 13 is a rear elevational view of FIG. 8;

FIG. 14 is a top plan view of FIG. 8;

FIG. 15 is a bottom plan view of FIG. 8;

FIG. 16 is a front perspective view of a second embodiment of the walker;

FIG. 17 is a left side elevational view of FIG. 16;

FIG. 18 is a right side elevational view of FIG. 16;

FIG. 19 is a front elevational view of FIG. 16;

FIG. 20 is a rear elevational view of FIG. 16;

FIG. 21 is a top plan view of FIG. 16;

FIG. 22 is a bottom plan view of FIG. 16;

FIG. 23 is a front perspective view of FIG. 16 with the tray removed and reoriented for use as a gym or play center;

FIG. 24 is a rear perspective view of FIG. 23;

FIG. 25 is a left side elevational view of FIG. 23;

FIG. 26 is a right side elevational view of FIG. 23;

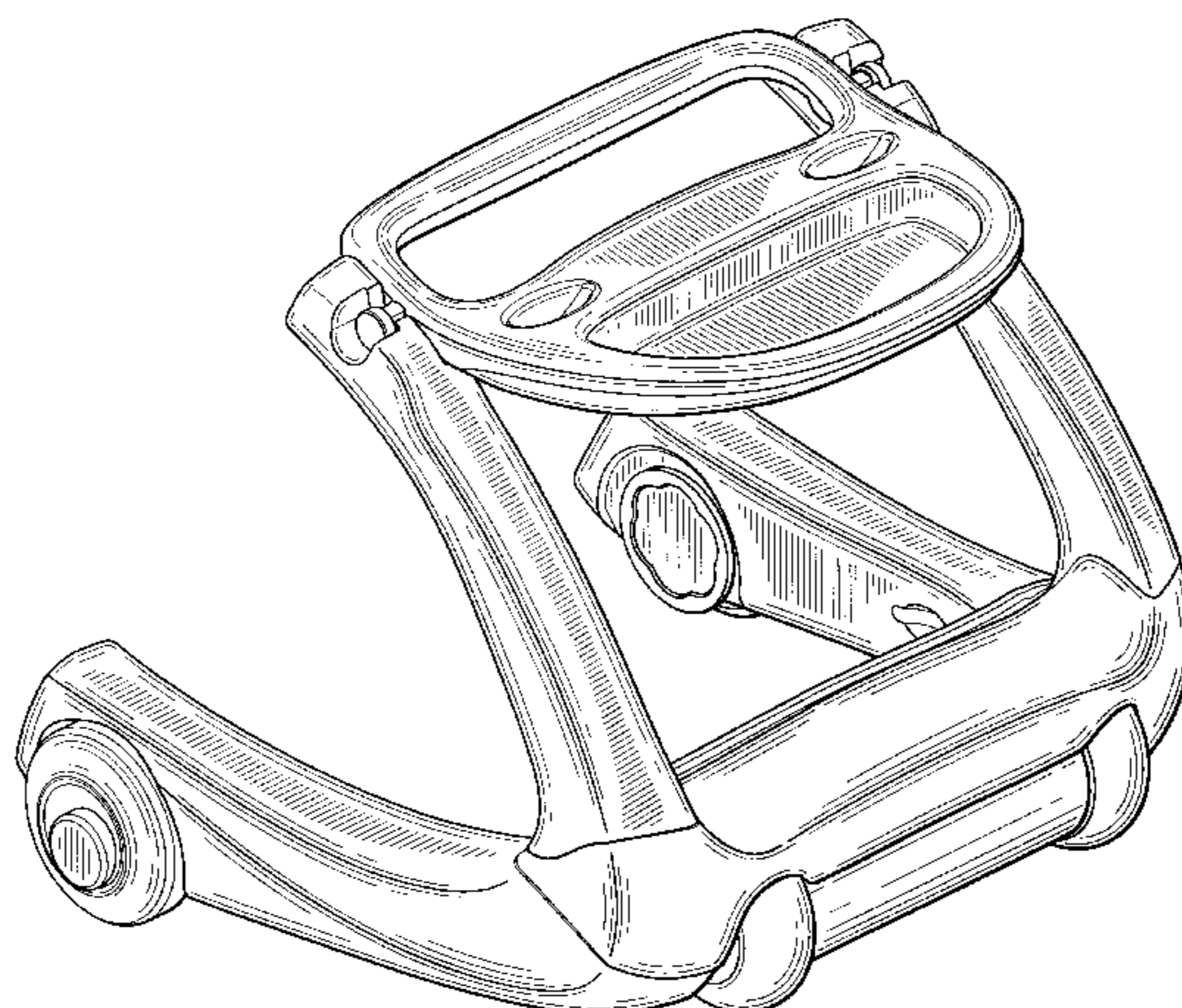
FIG. 27 is a front elevational view of FIG. 23;

FIG. 28 is a rear elevational view of FIG. 23;

FIG. 29 is a top plan view of FIG. 23; and,

FIG. 30 is a bottom plan view of FIG. 23.

**1 Claim, 30 Drawing Sheets**



# US D443,233 S

Page 2

---

## U.S. PATENT DOCUMENTS

2,609,030	9/1952	Stack .	5,076,520	12/1991	Bro .
3,884,495	5/1975	Petock .	5,154,658	10/1992	Marcus .
4,231,582	11/1980	Moss .	5,250,002	10/1993	Kinberg .
4,664,396	5/1987	Pietrafesa .	5,362,272	11/1994	Chow et al. .
4,907,839	3/1990	Rose et al. .	5,392,802	2/1995	Farr et al. .
5,013,032	5/1991	Baum et al. .	5,441,289	8/1995	Spielberger .
5,050,862	9/1991	Saghafi .	5,454,745	10/1995	Spielberger .
			5,478,268	12/1995	Au .

FIG. 1

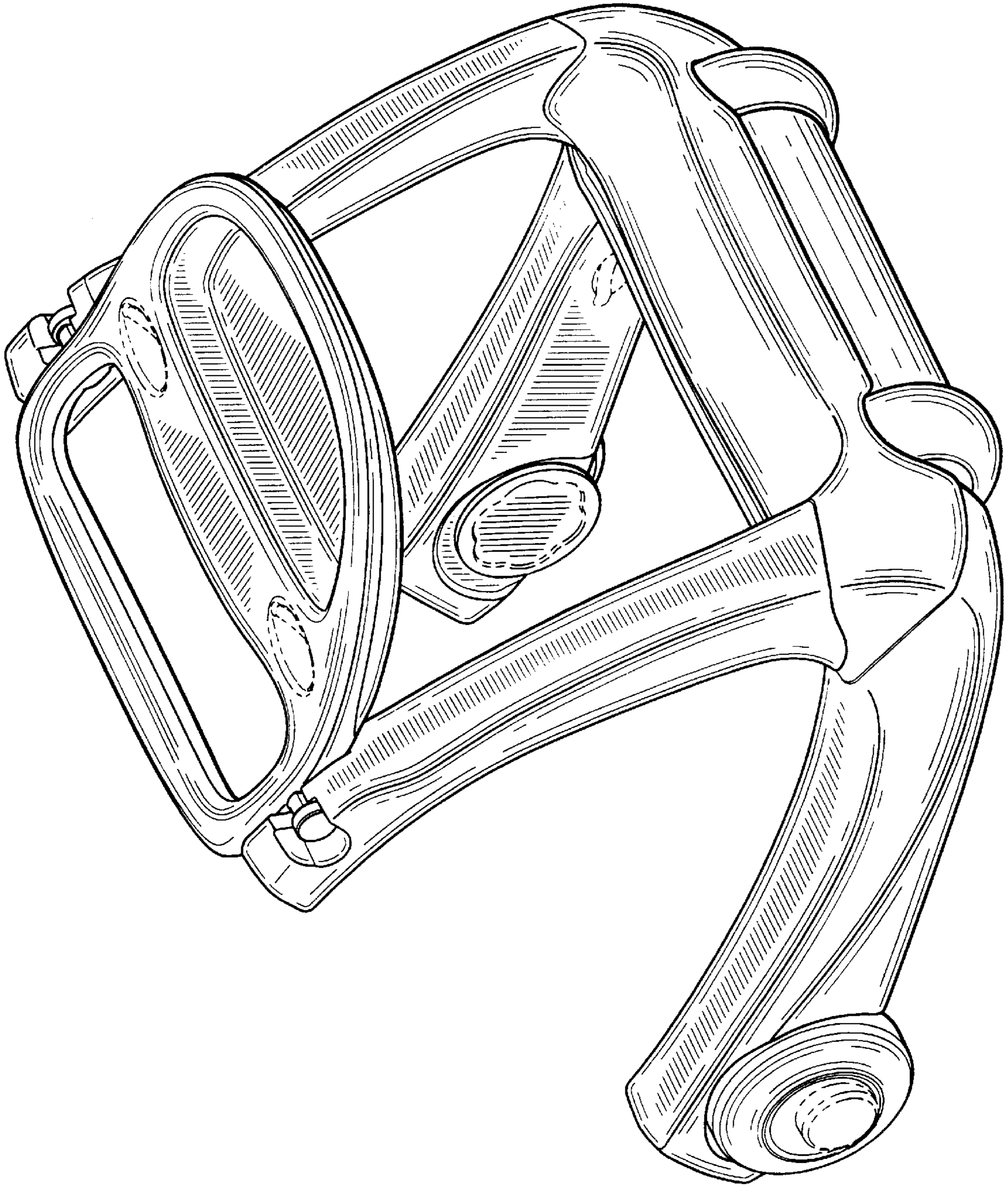
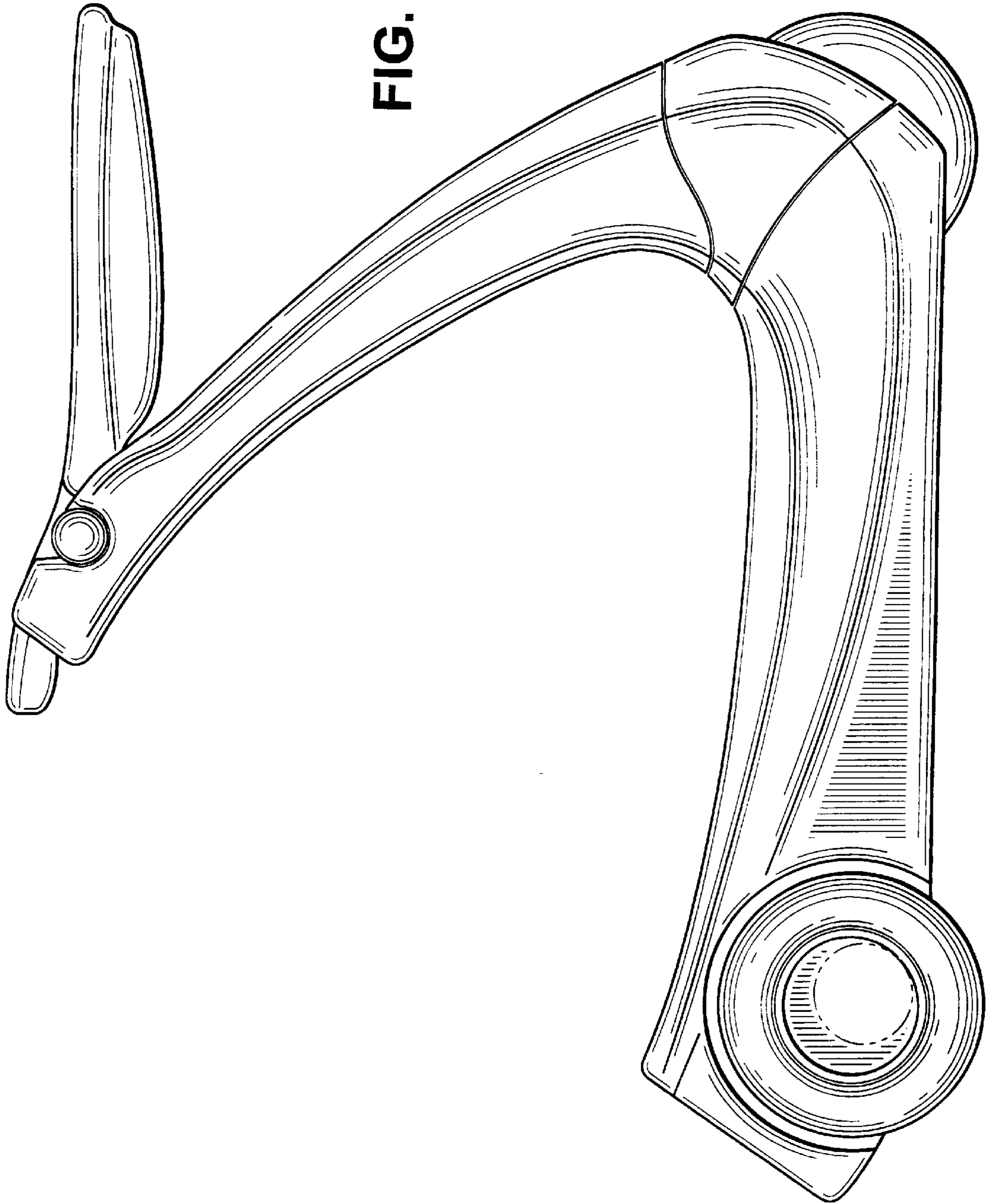


FIG. 2



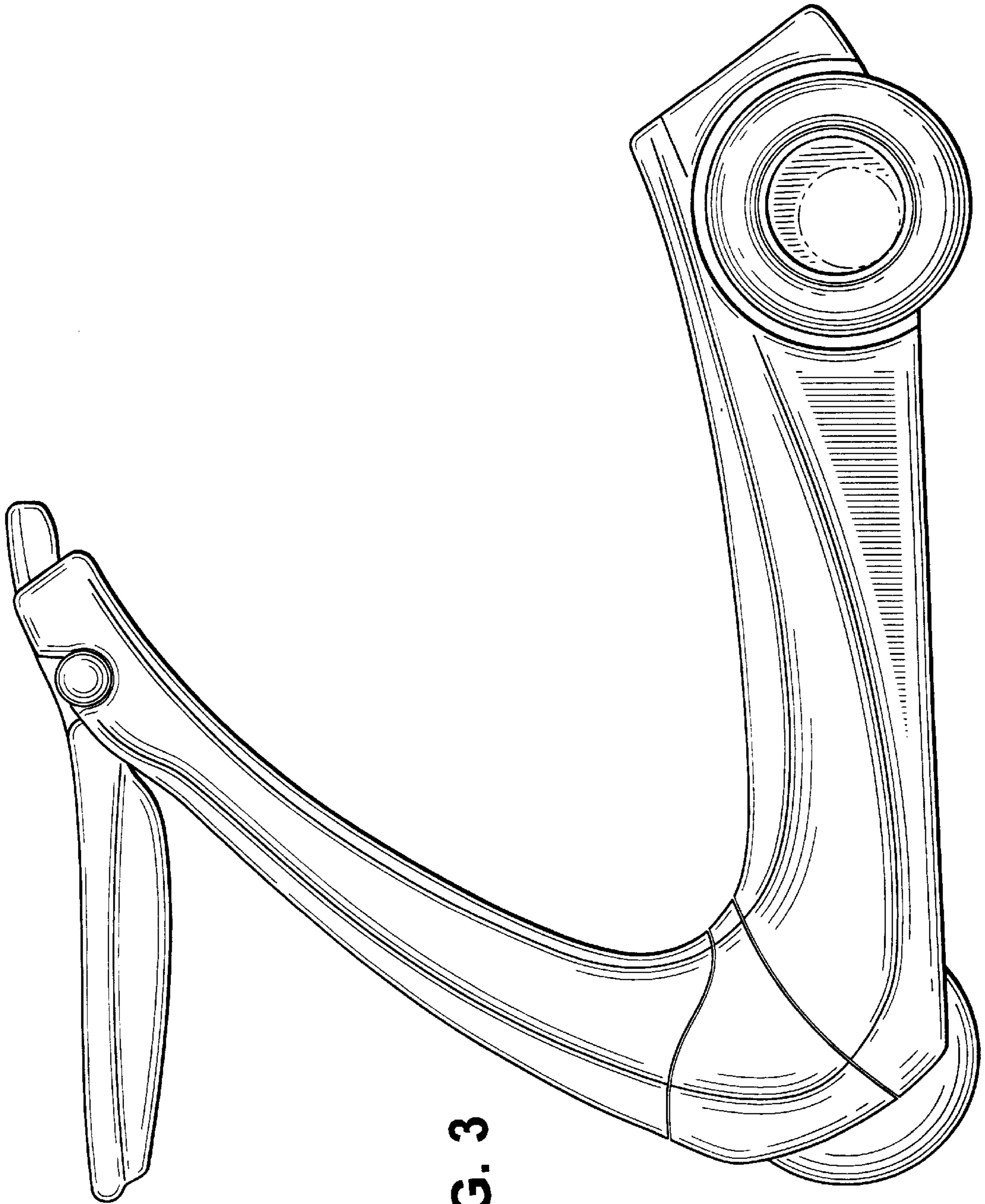
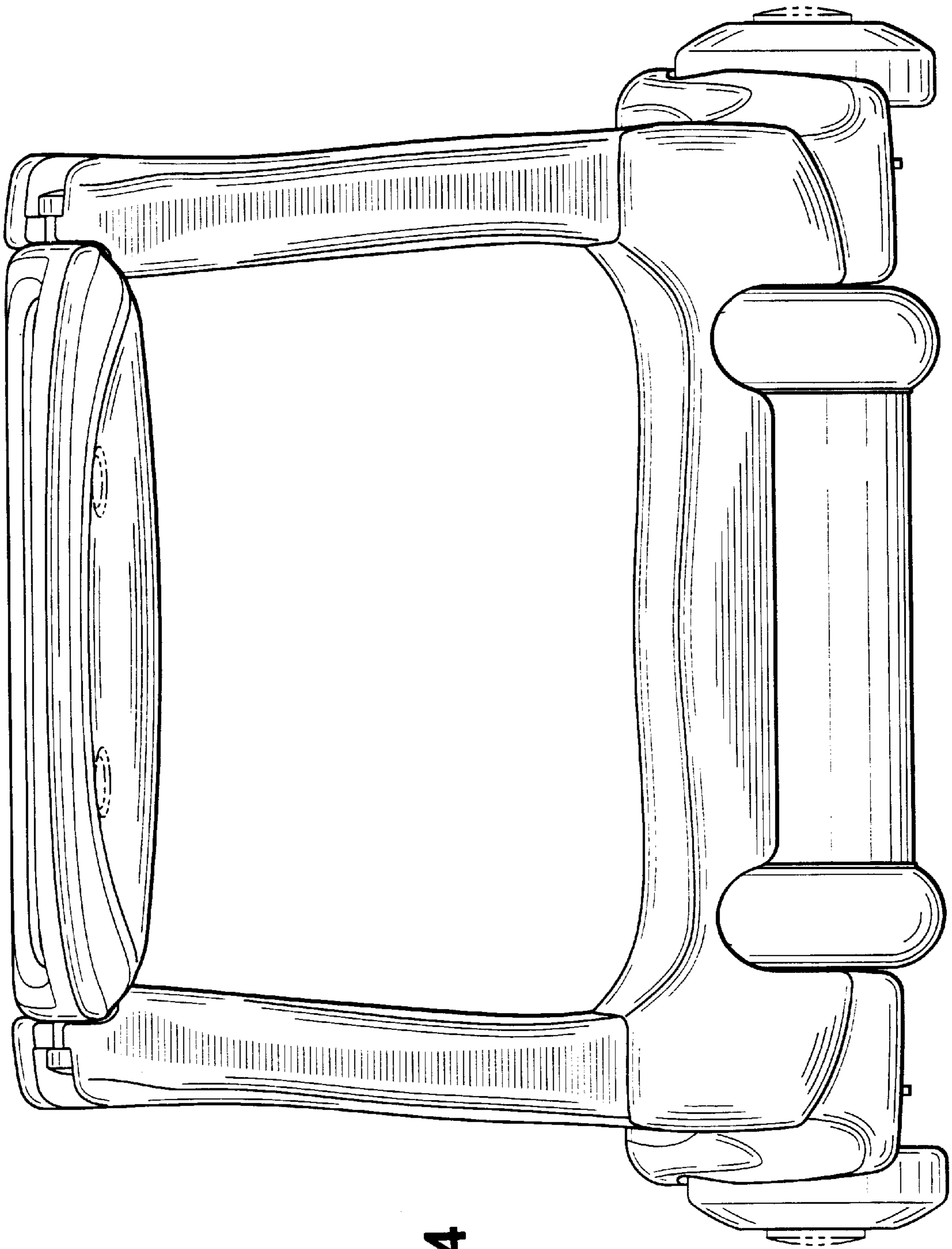


FIG. 3



**FIG. 4**

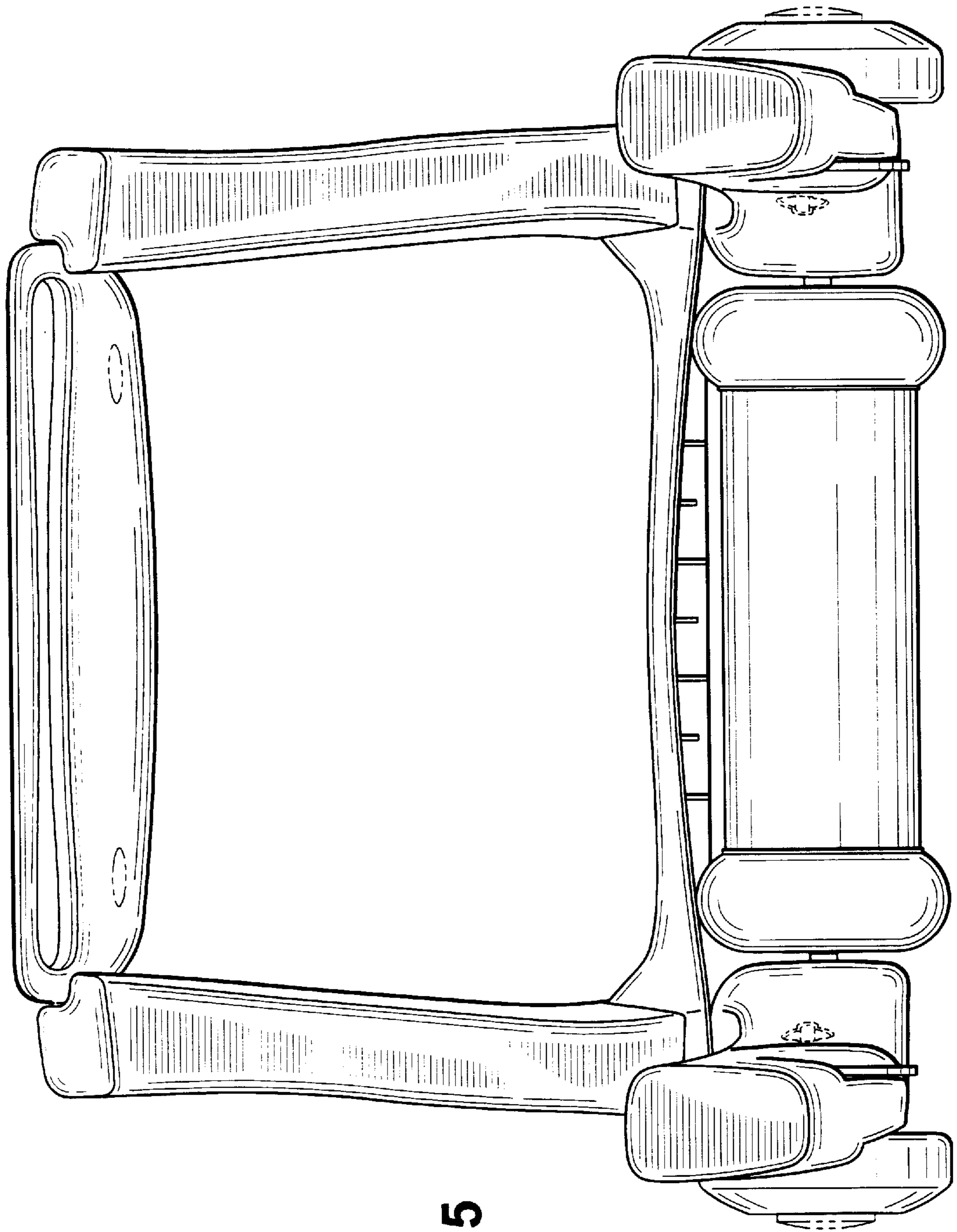


FIG. 5

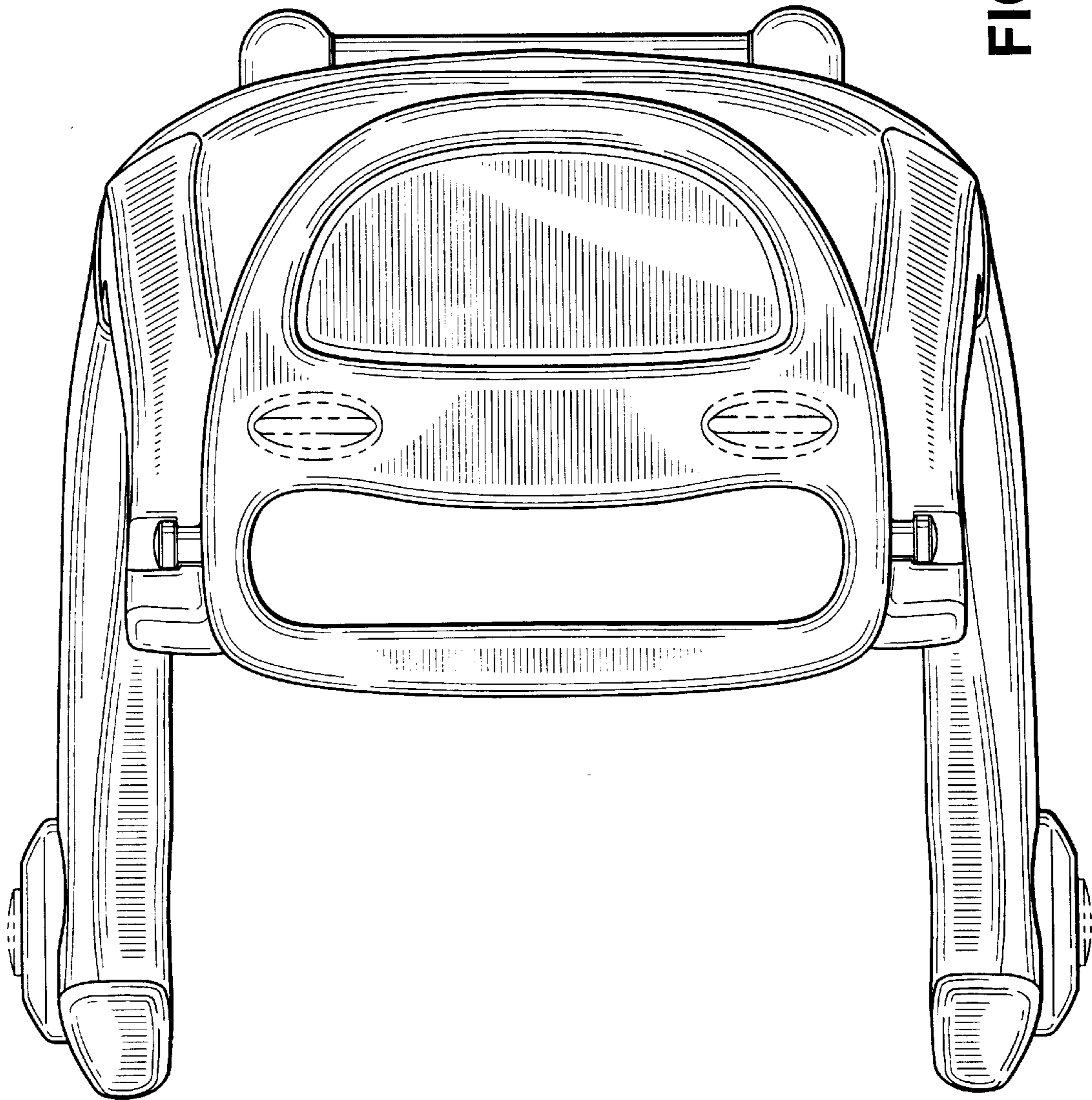


FIG. 6



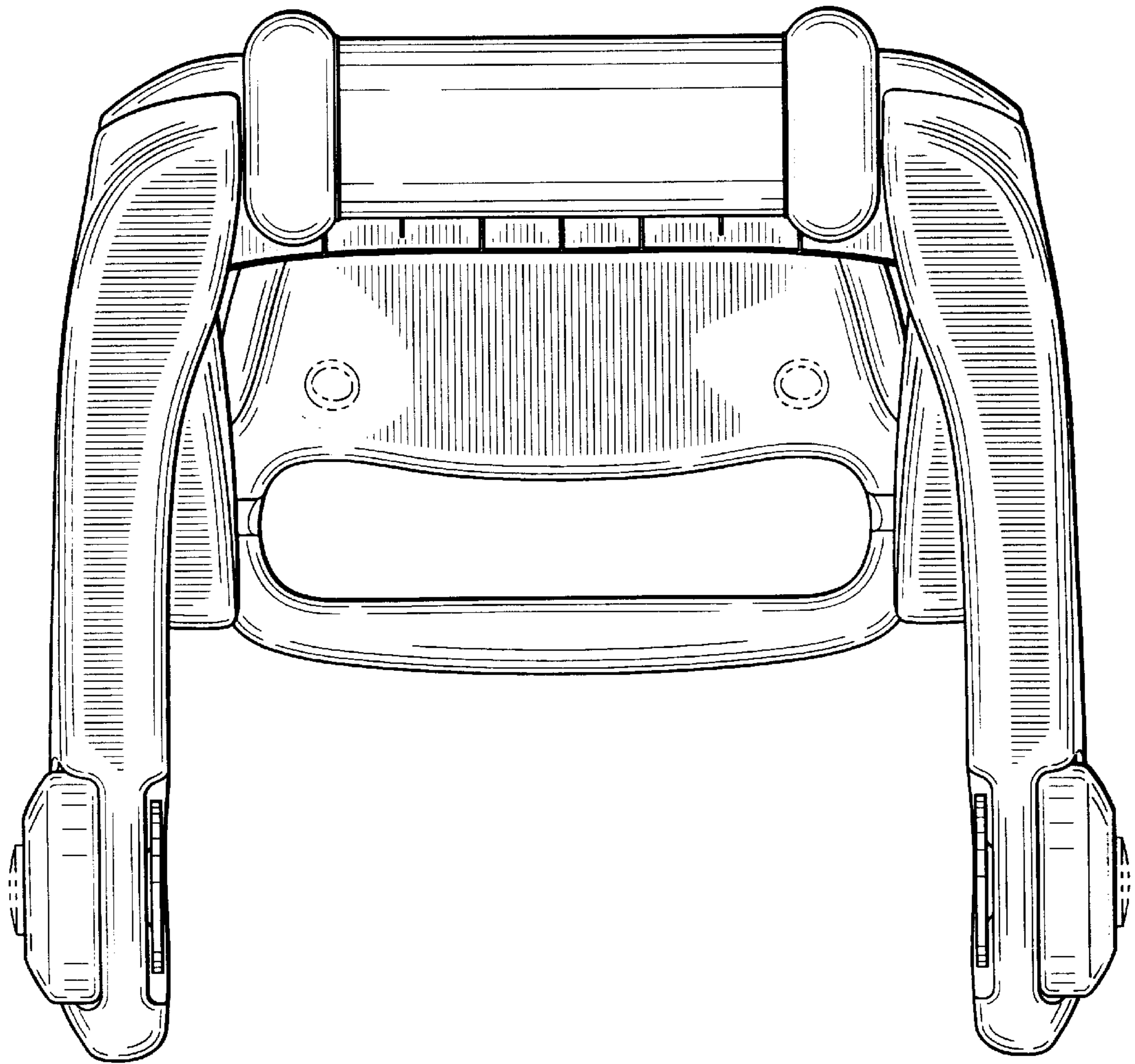


FIG. 7

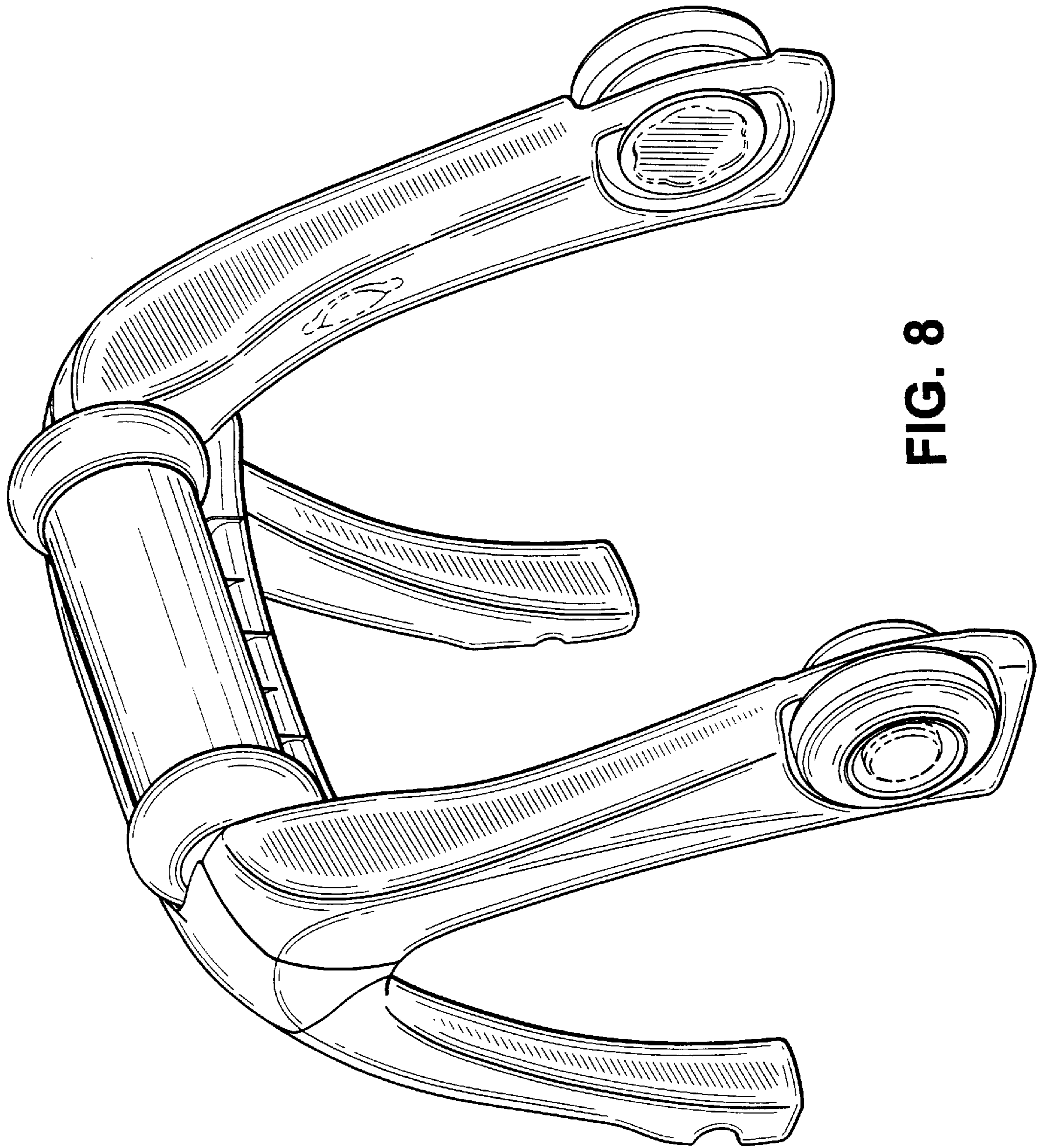


FIG. 8

FIG. 9

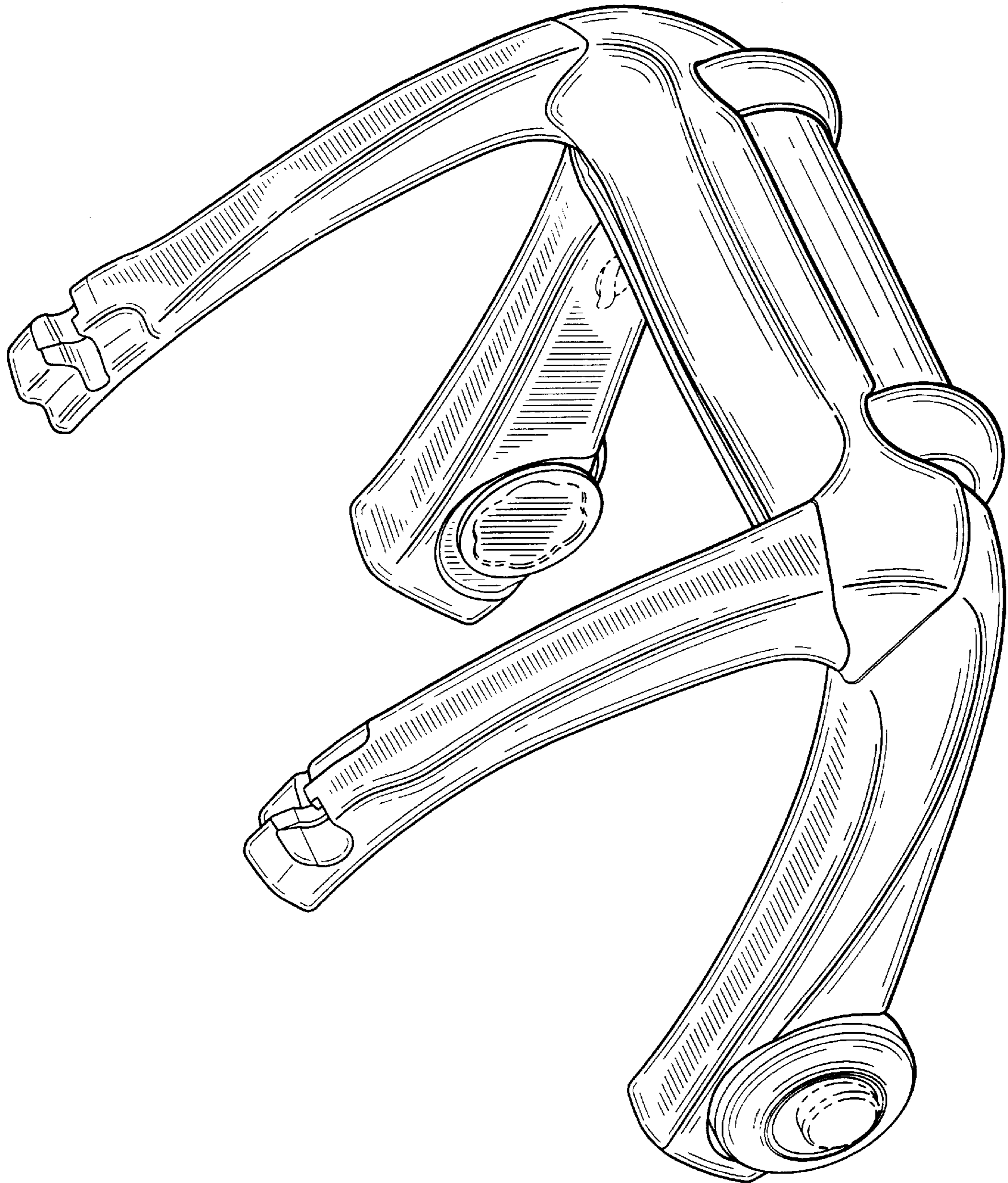
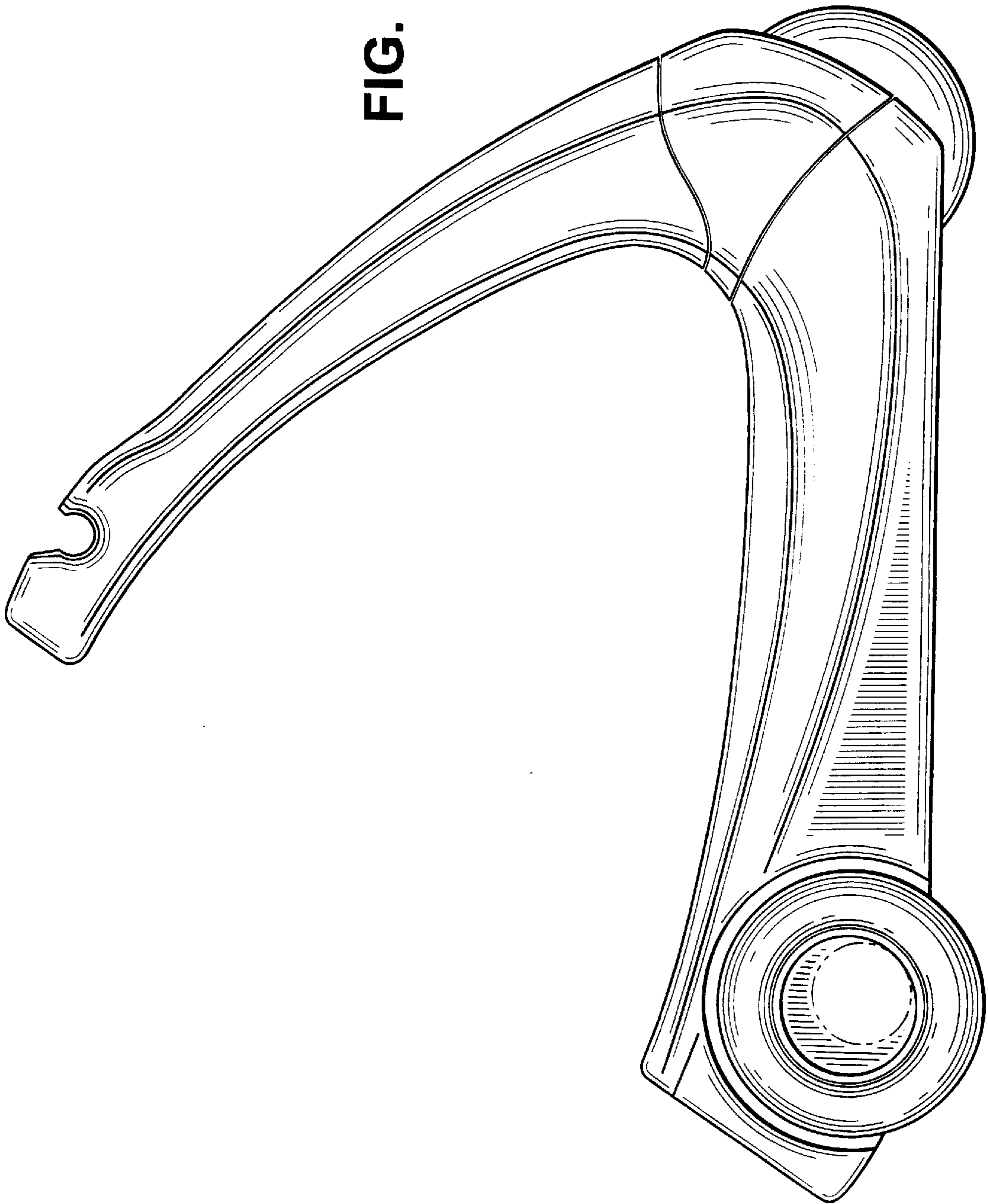


FIG. 10



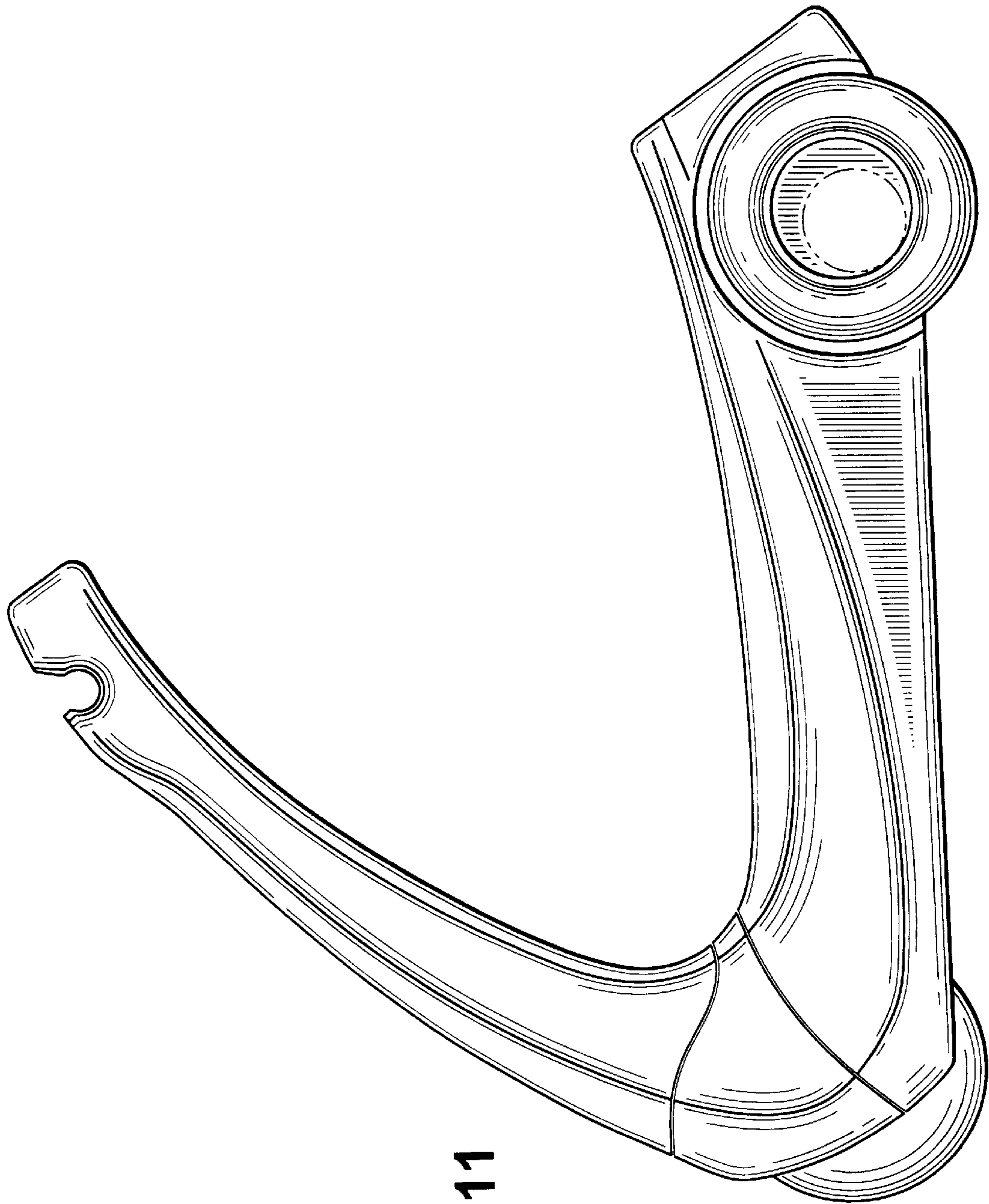


FIG. 11

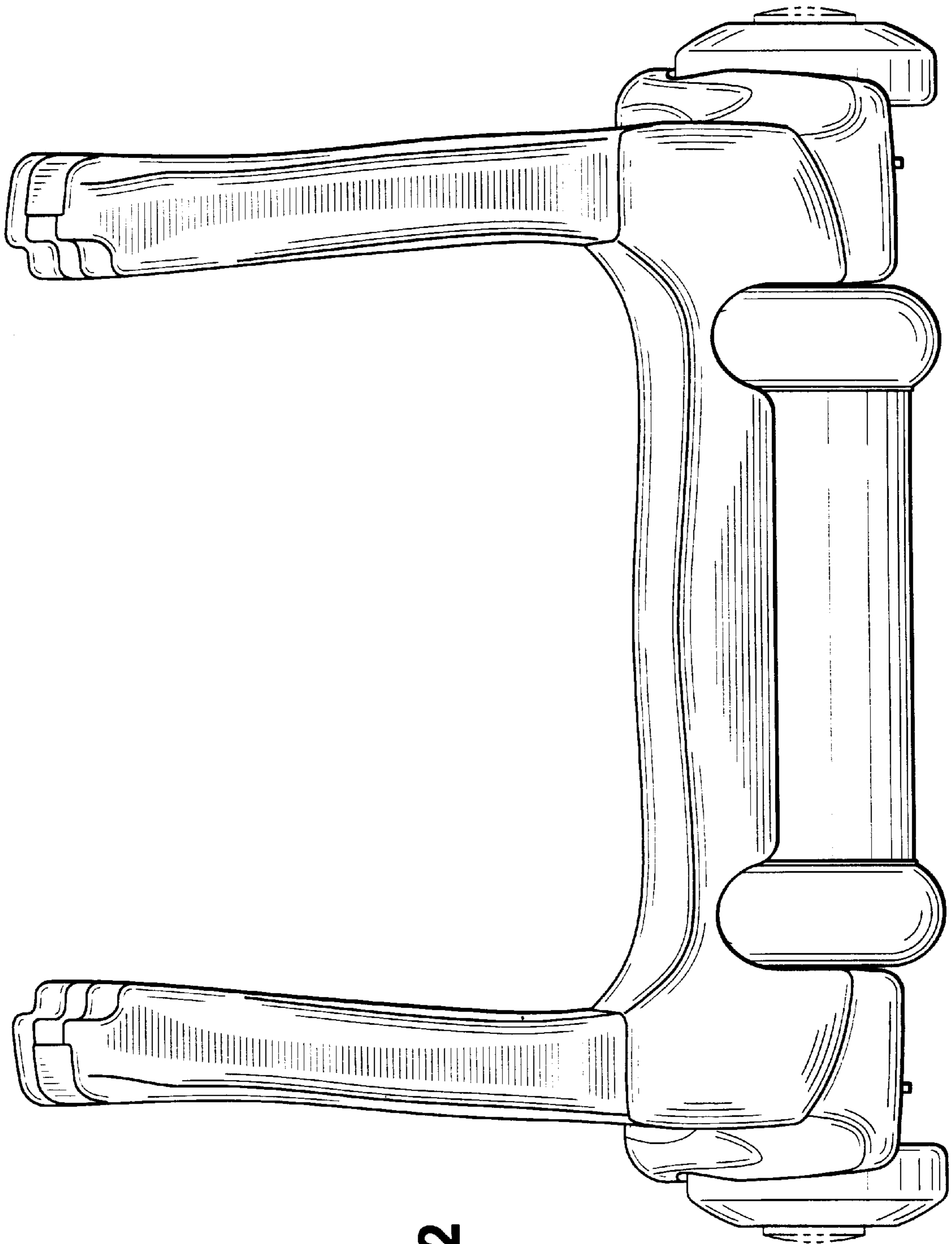


FIG. 12

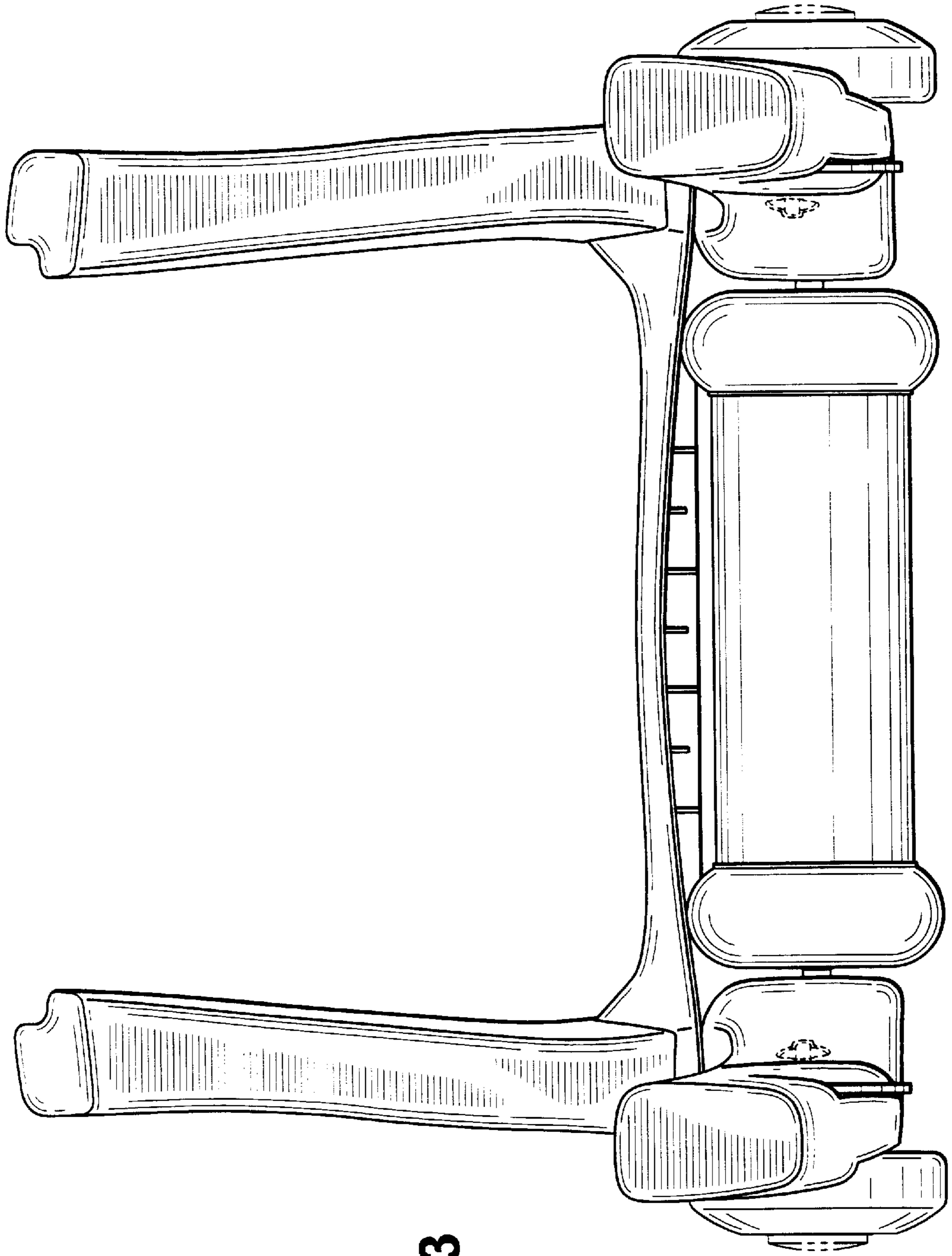


FIG. 13

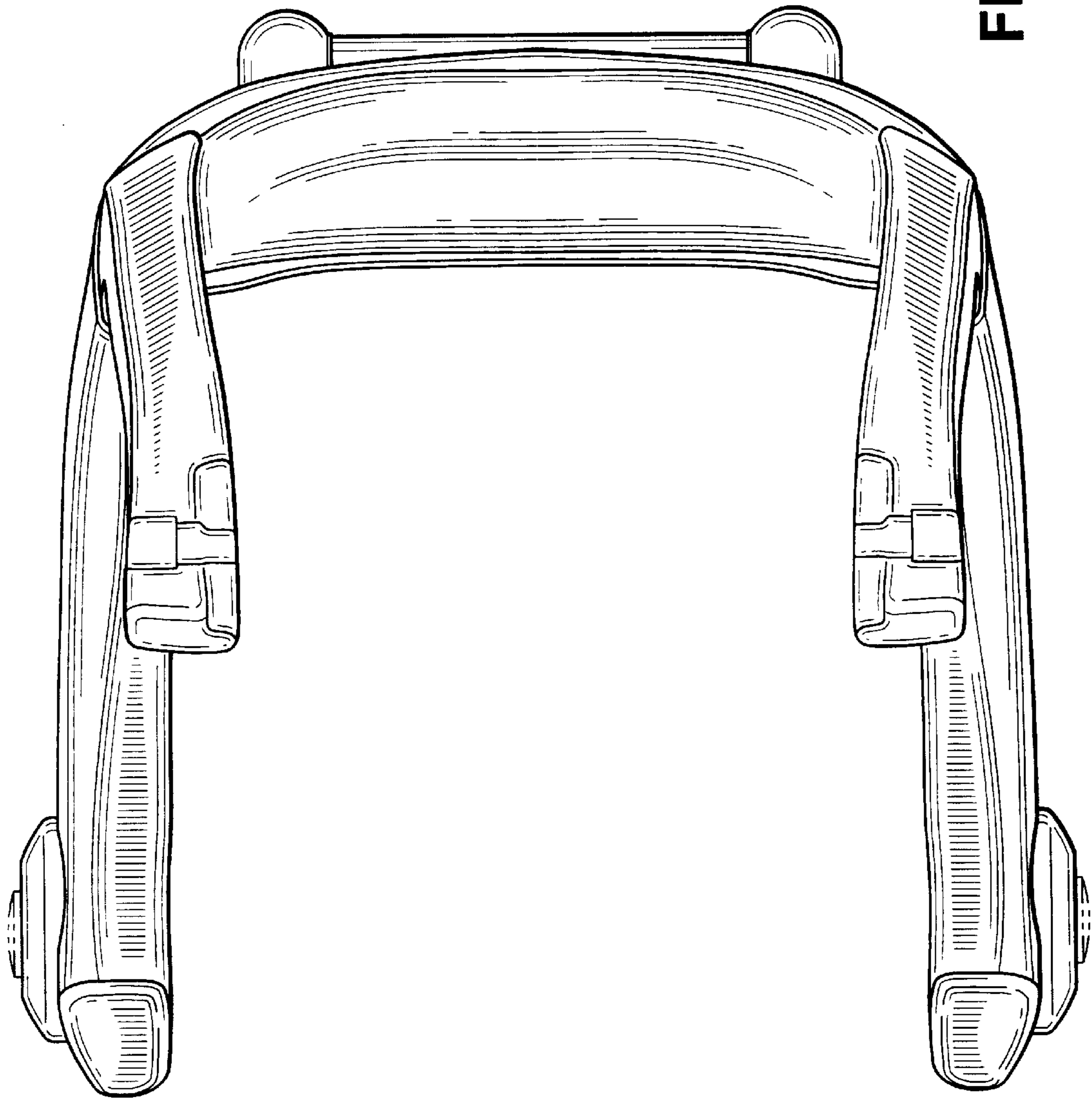


FIG. 14



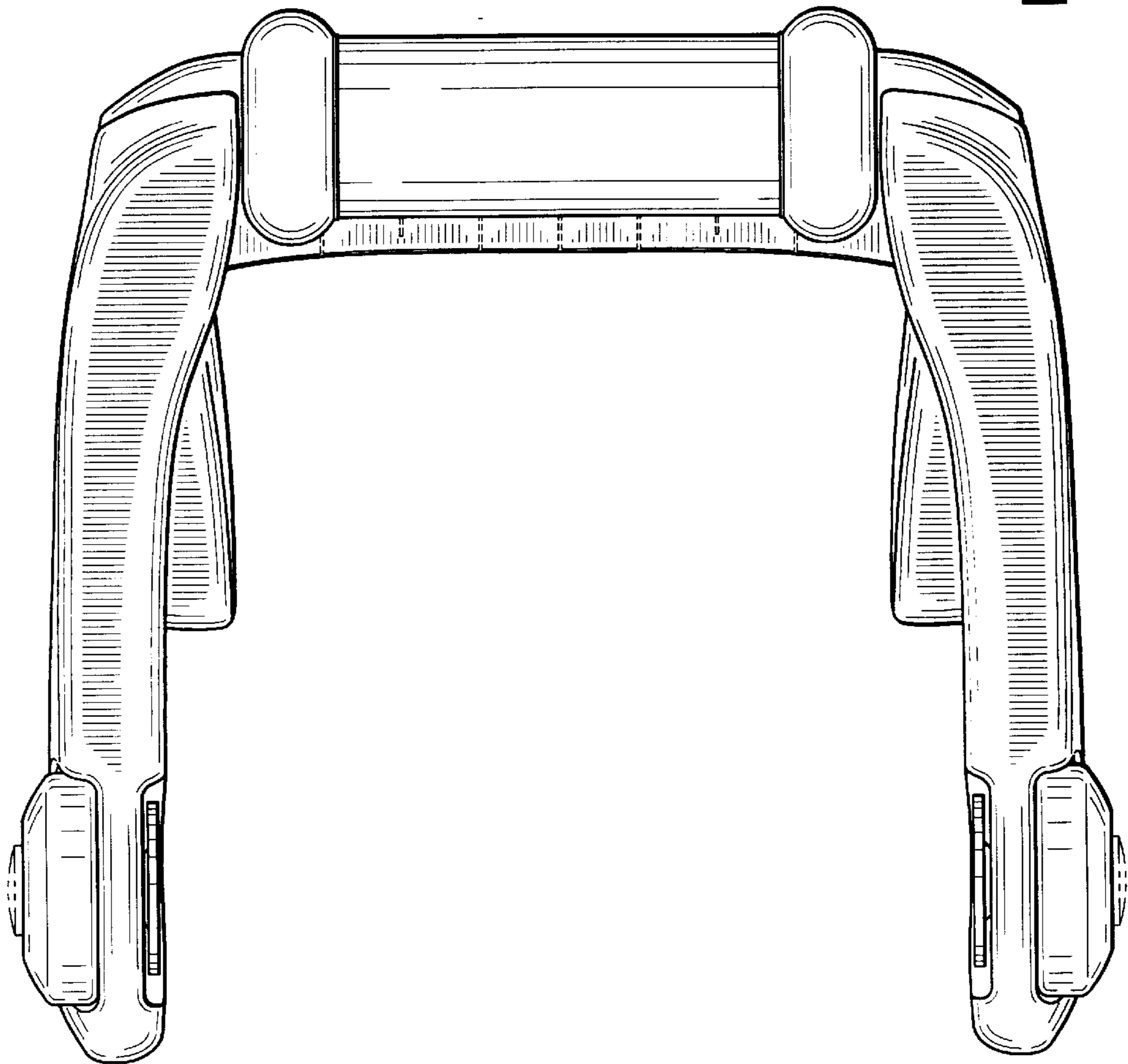


FIG. 15

FIG. 16

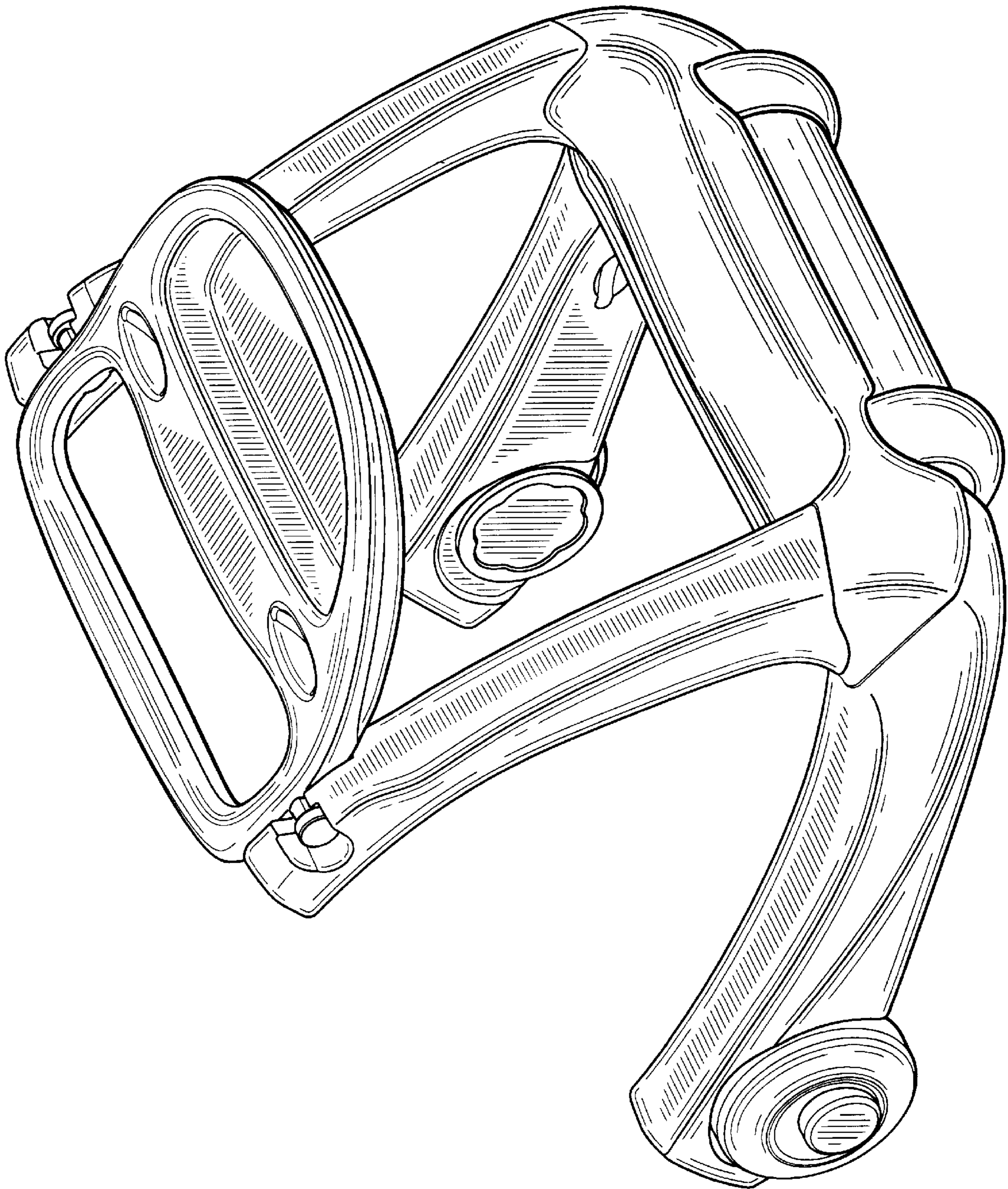
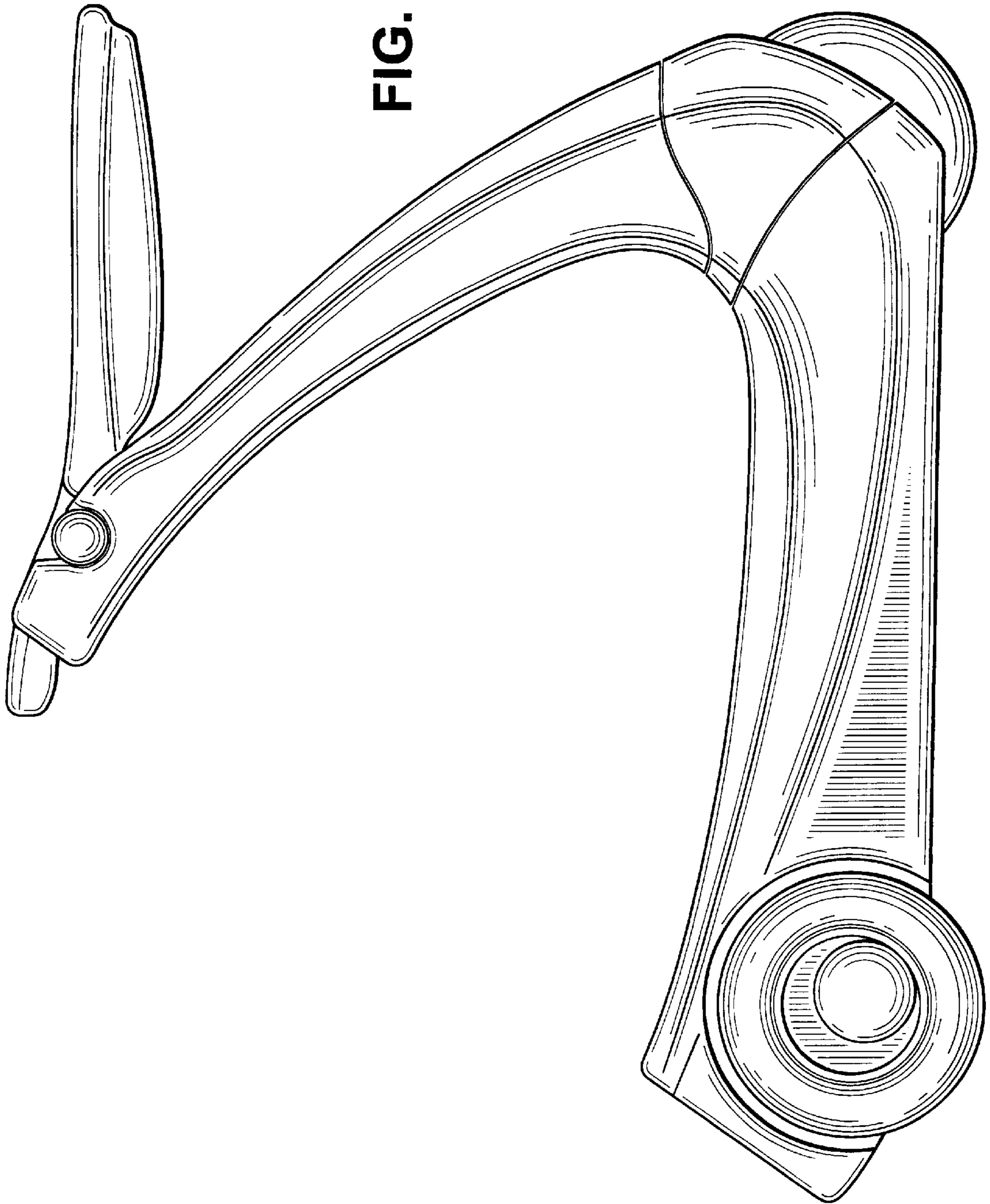


FIG. 17



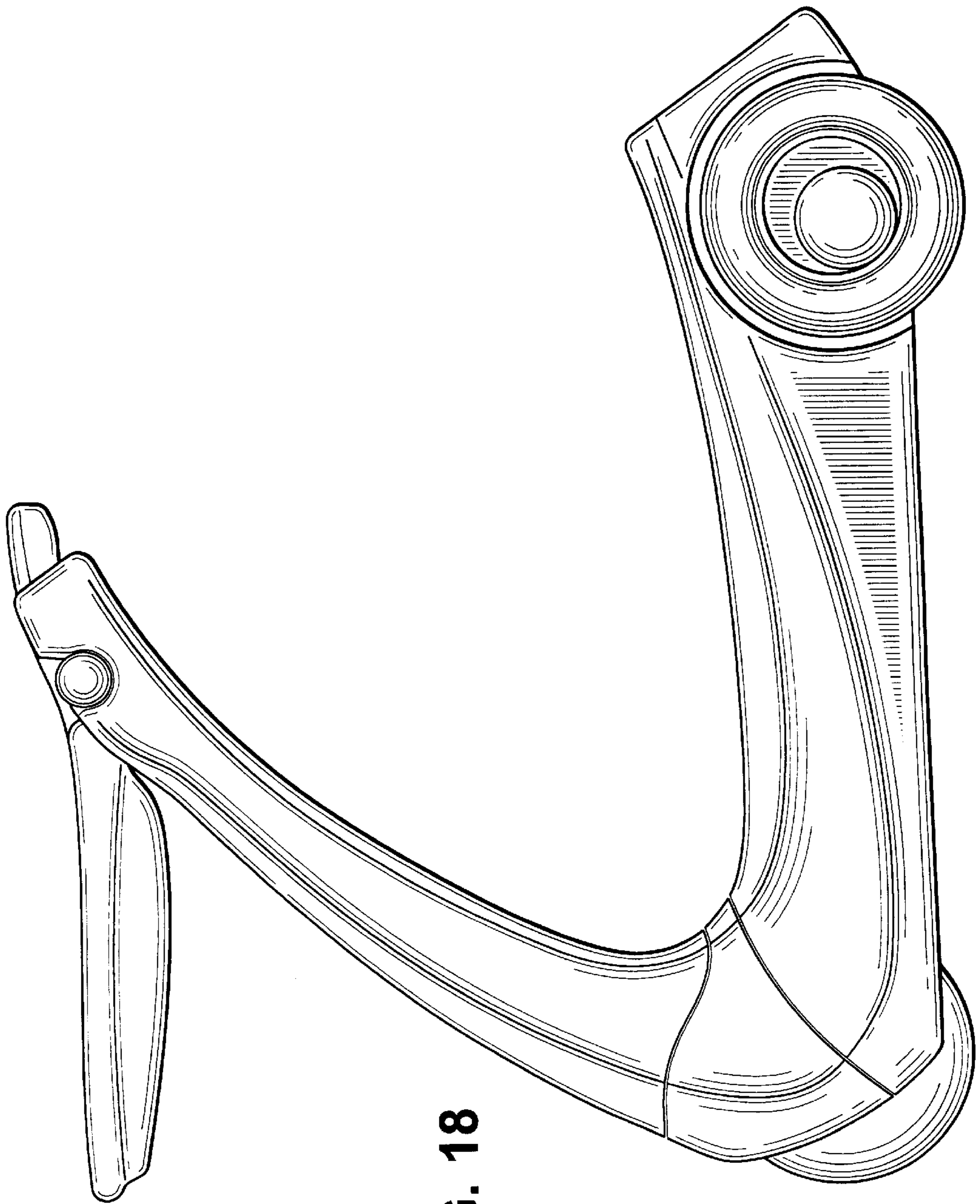


FIG. 18

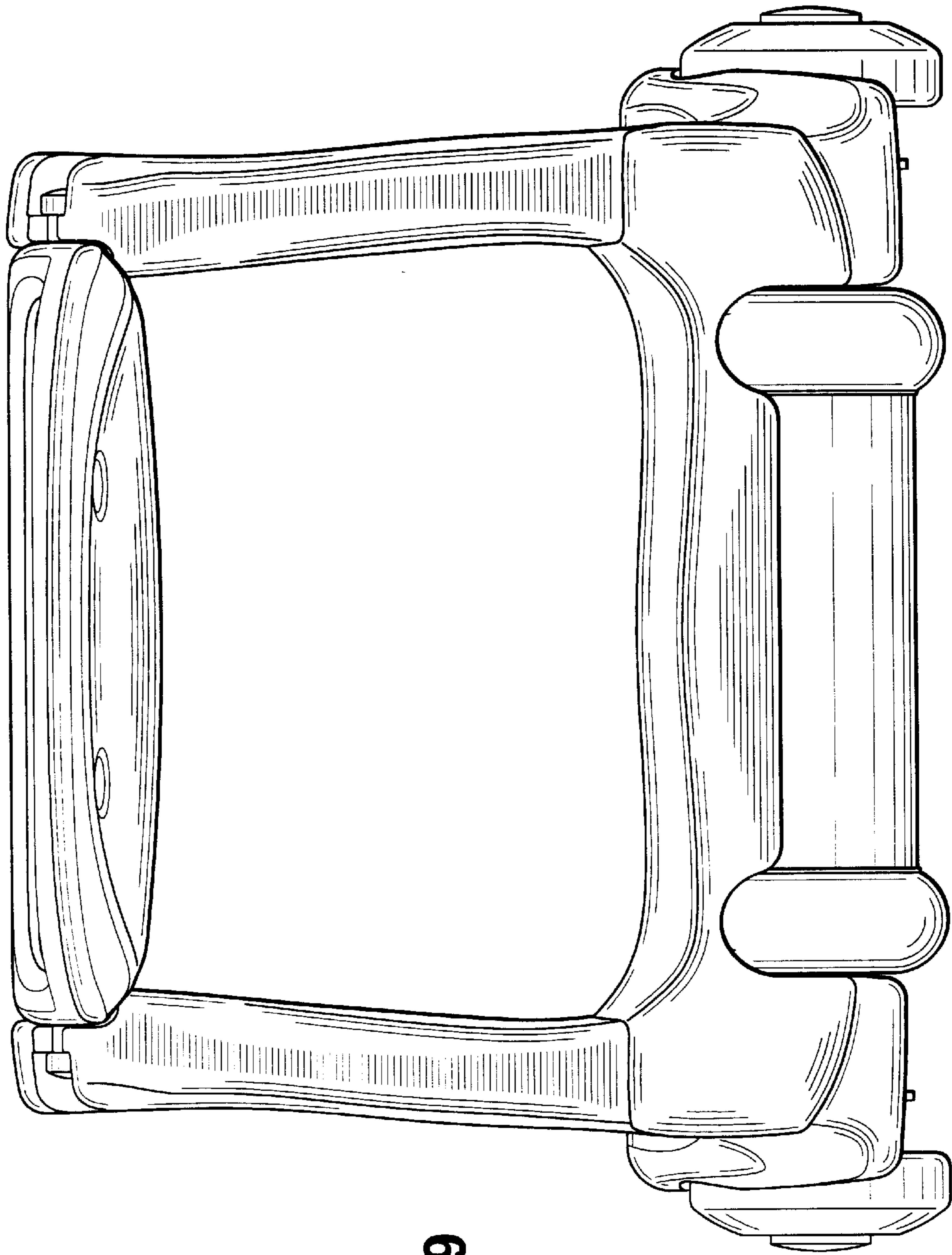


FIG. 19

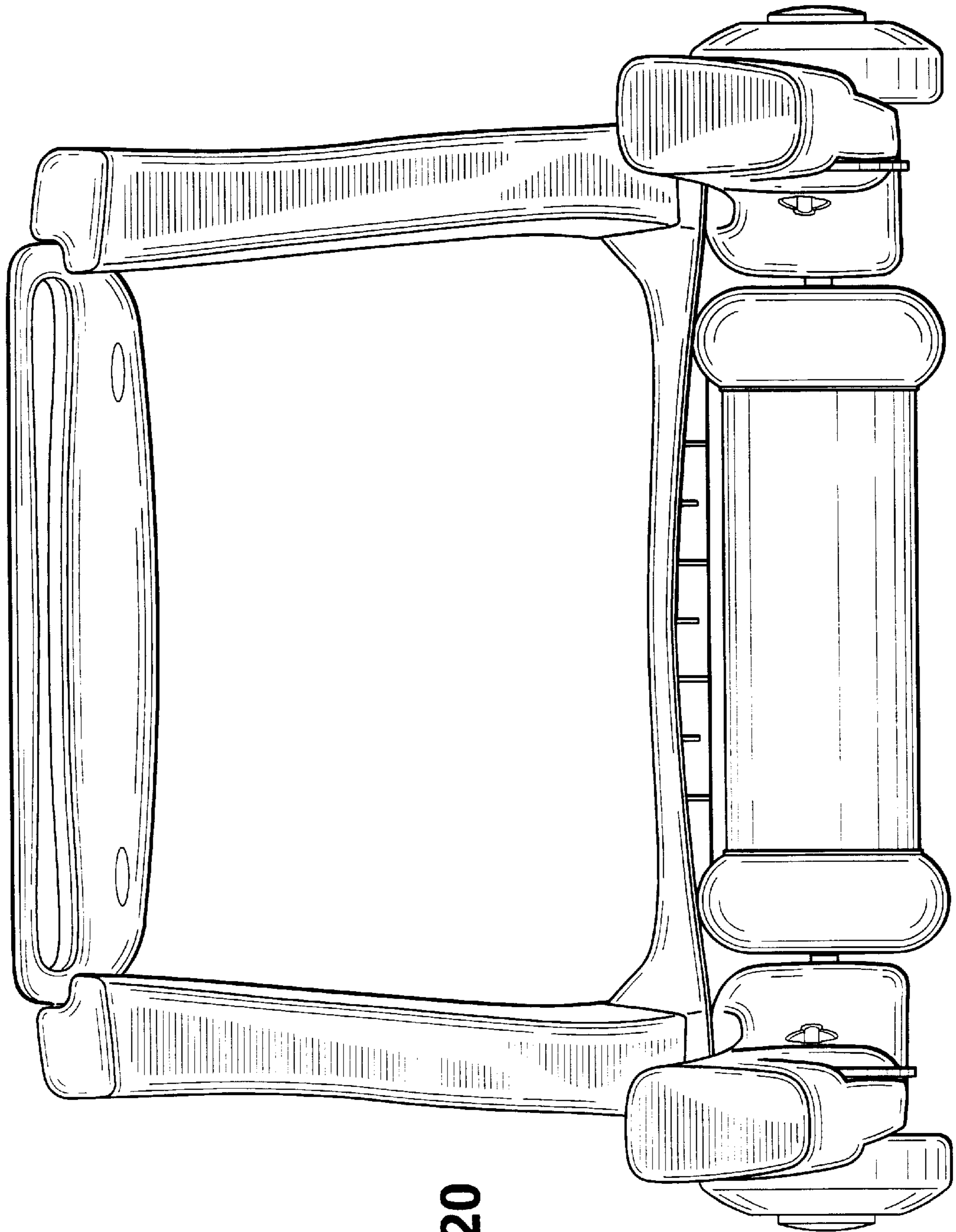
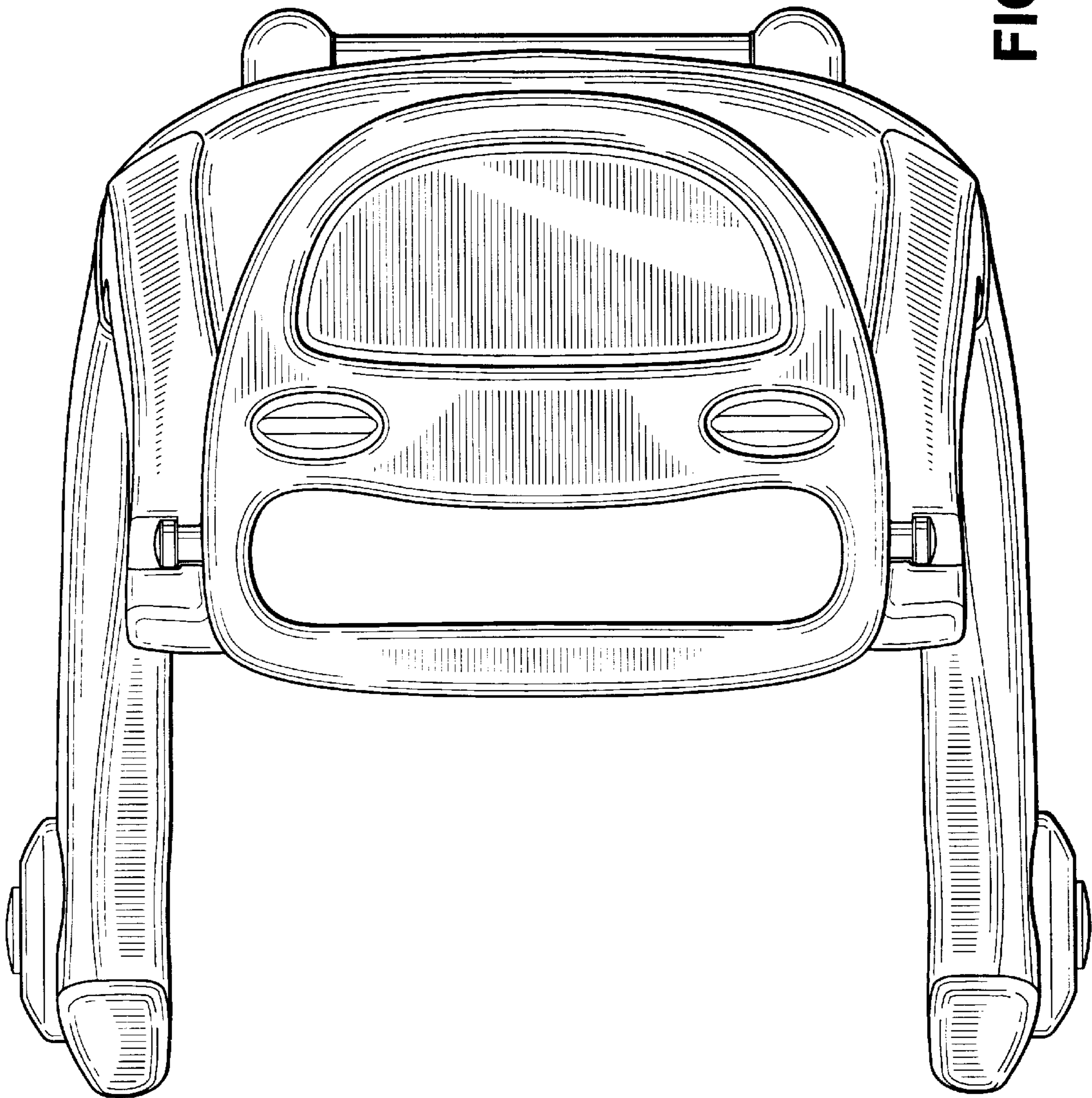


FIG. 20



**FIG. 21**

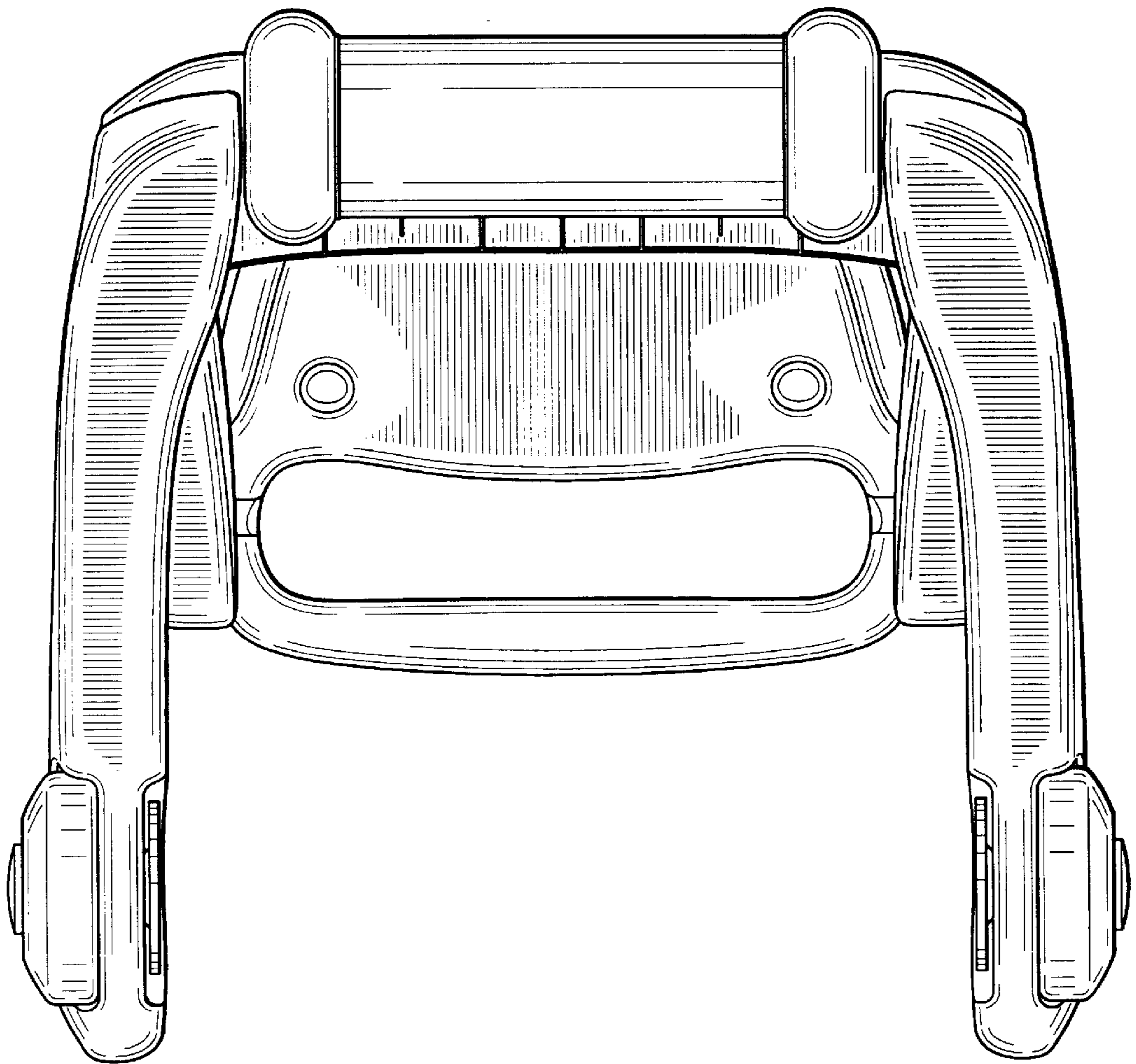


FIG. 22



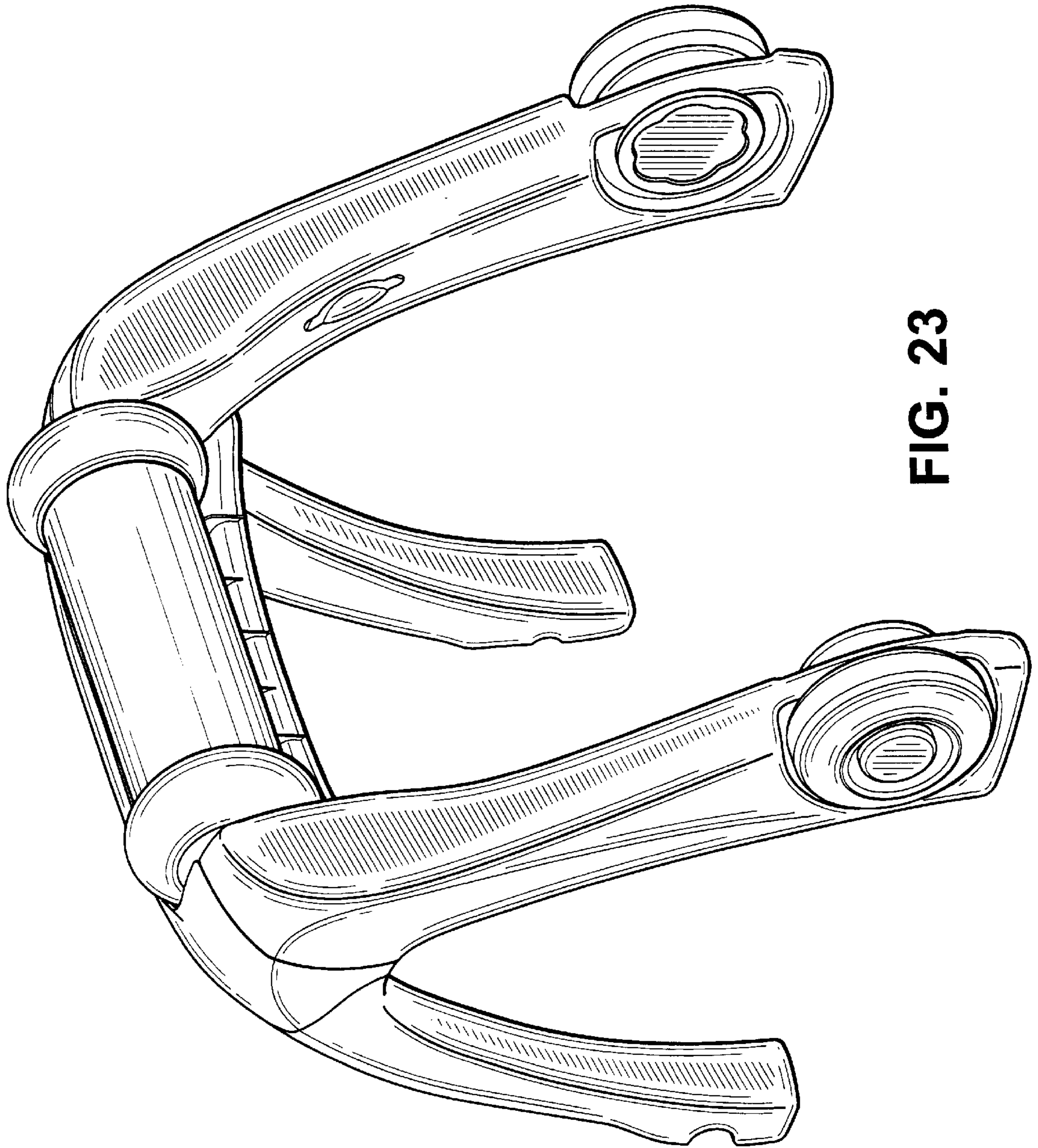


FIG. 23

FIG. 24

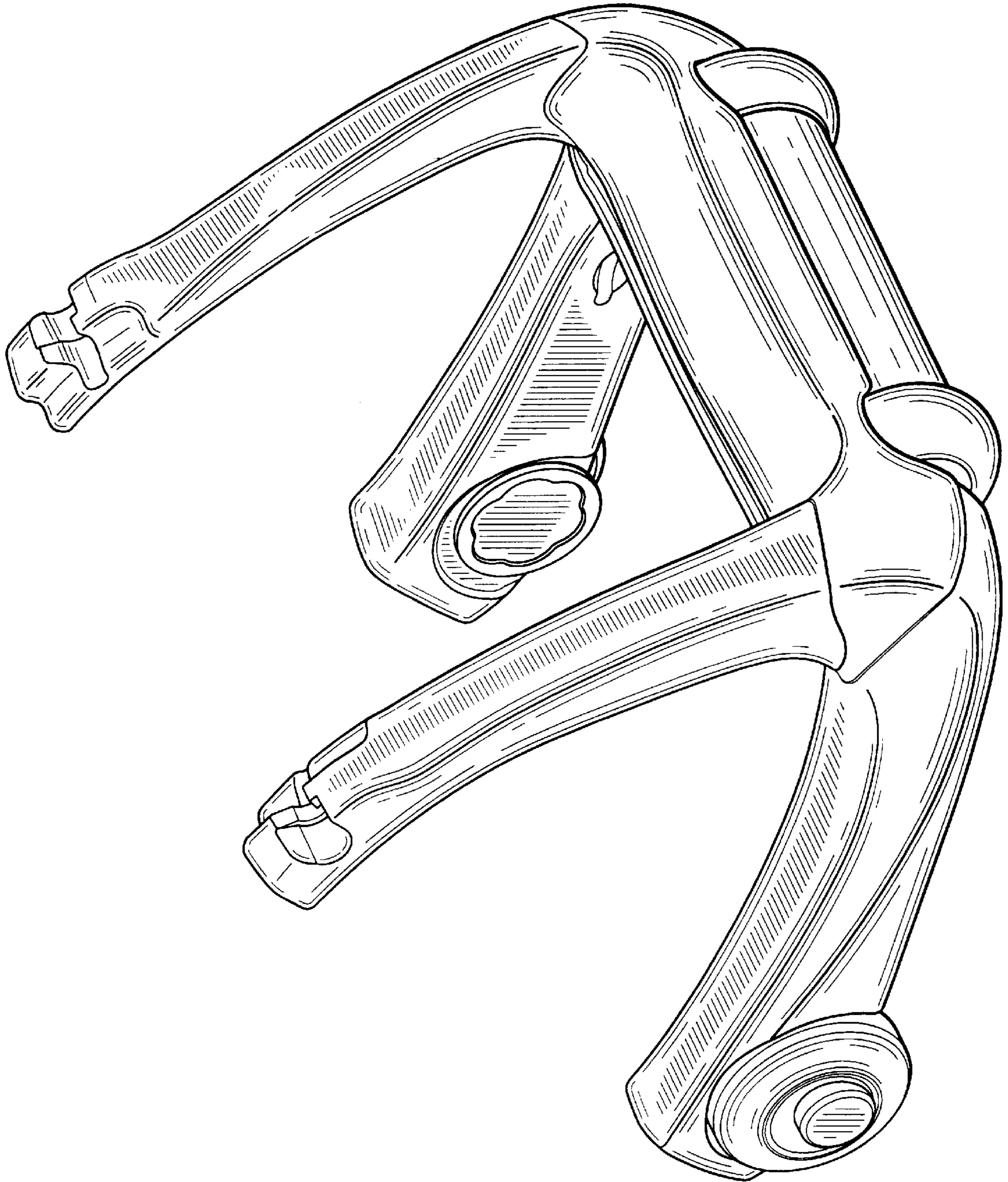
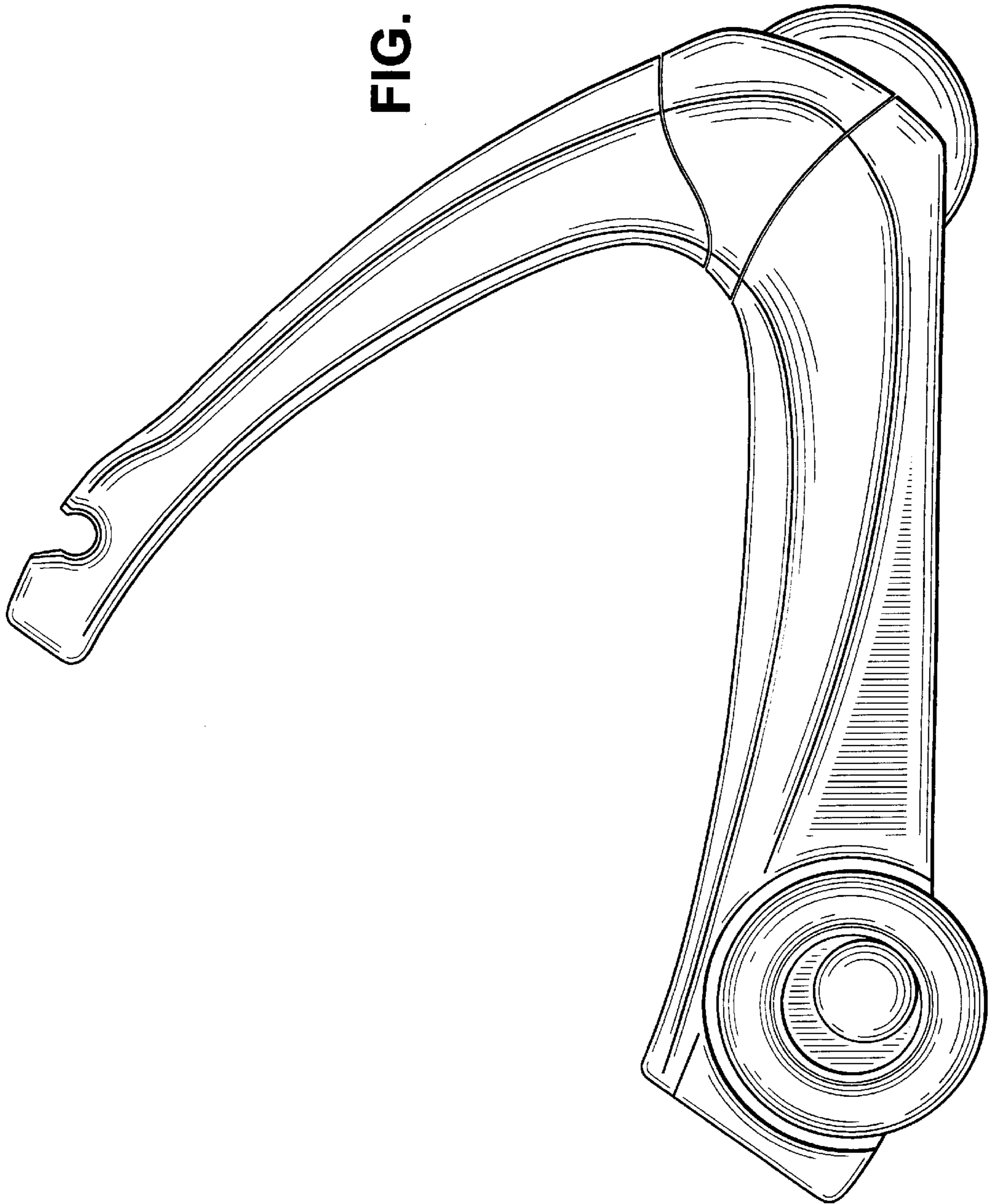


FIG. 25



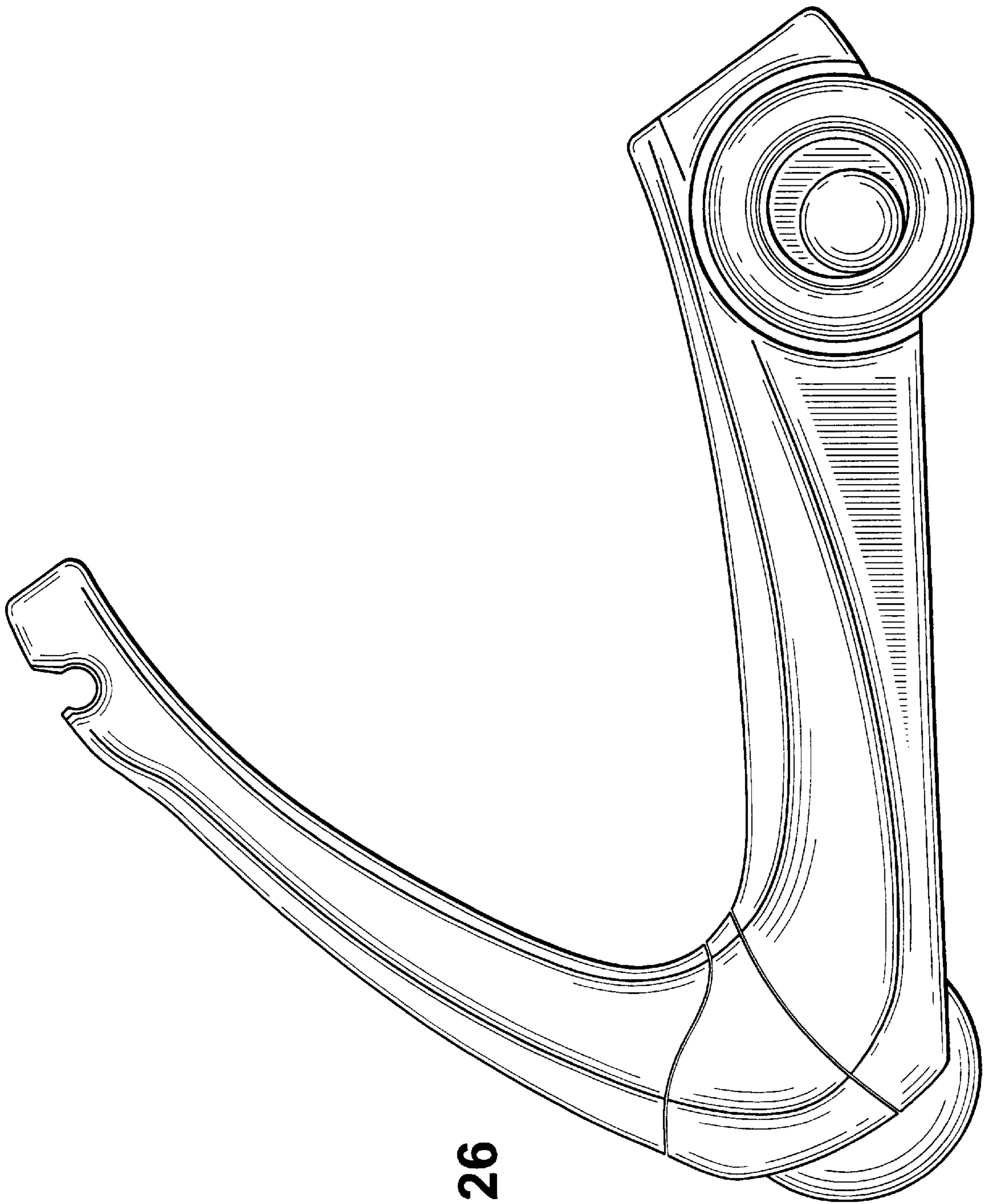
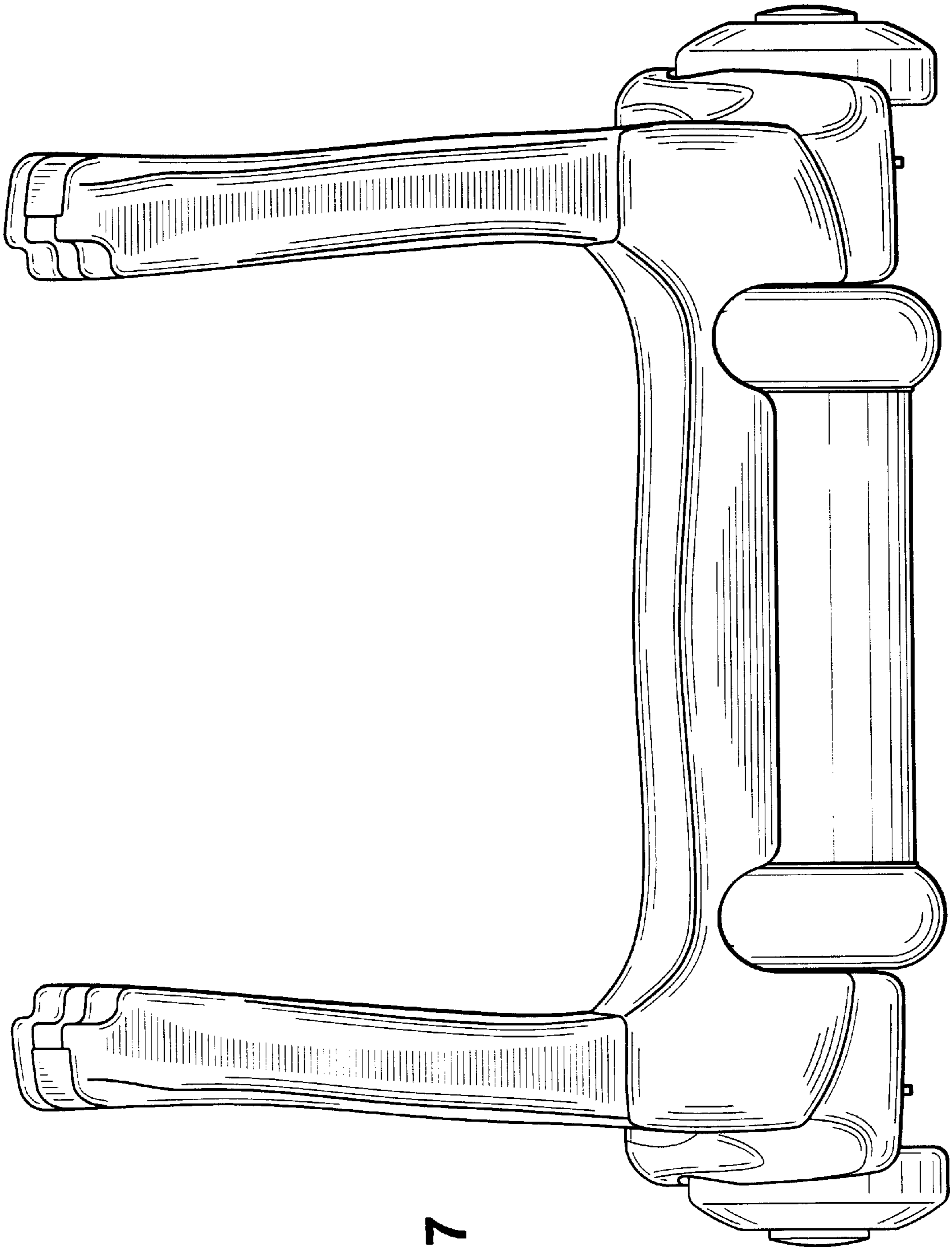


FIG. 26



**FIG. 27**

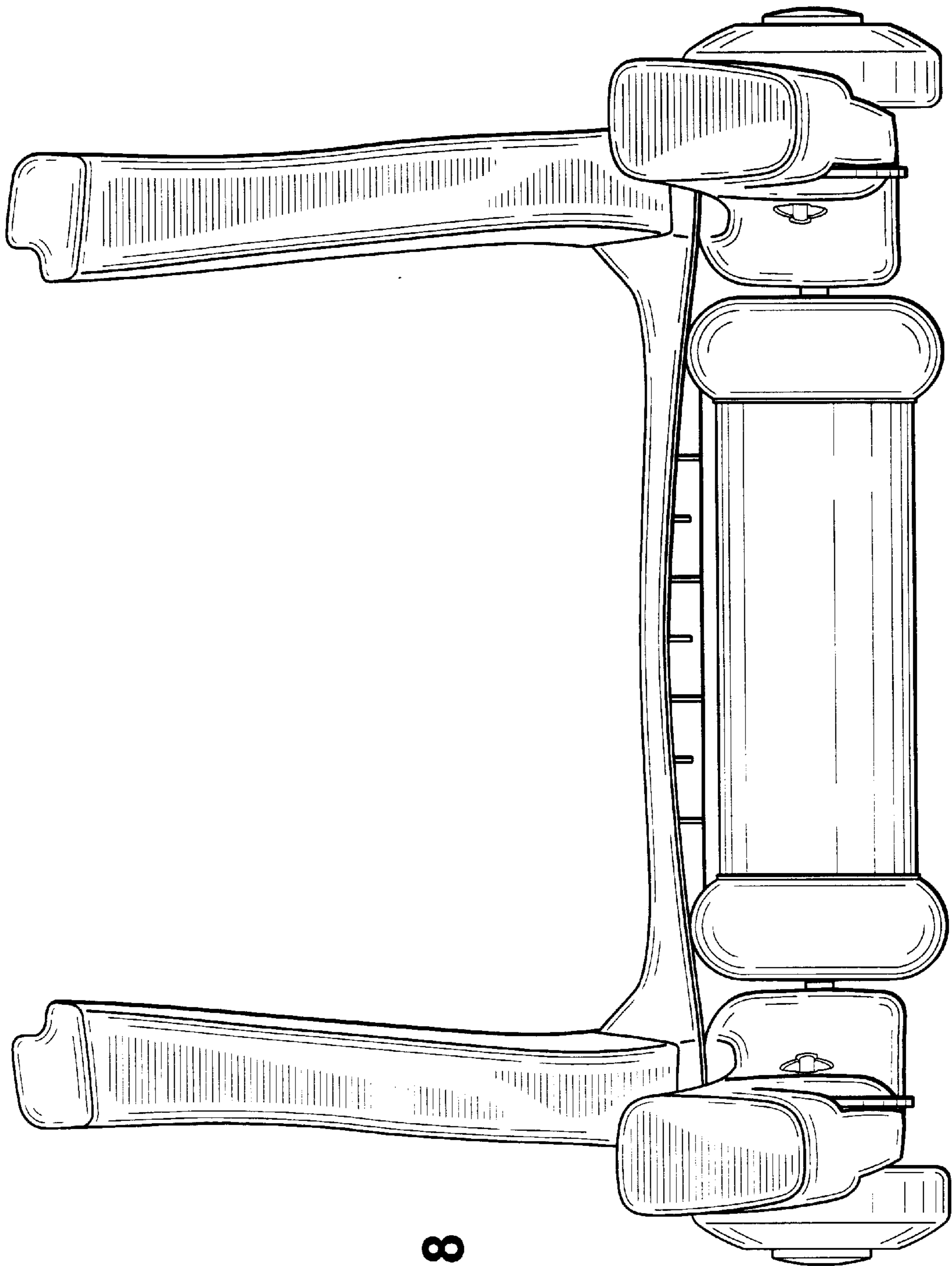


FIG. 28

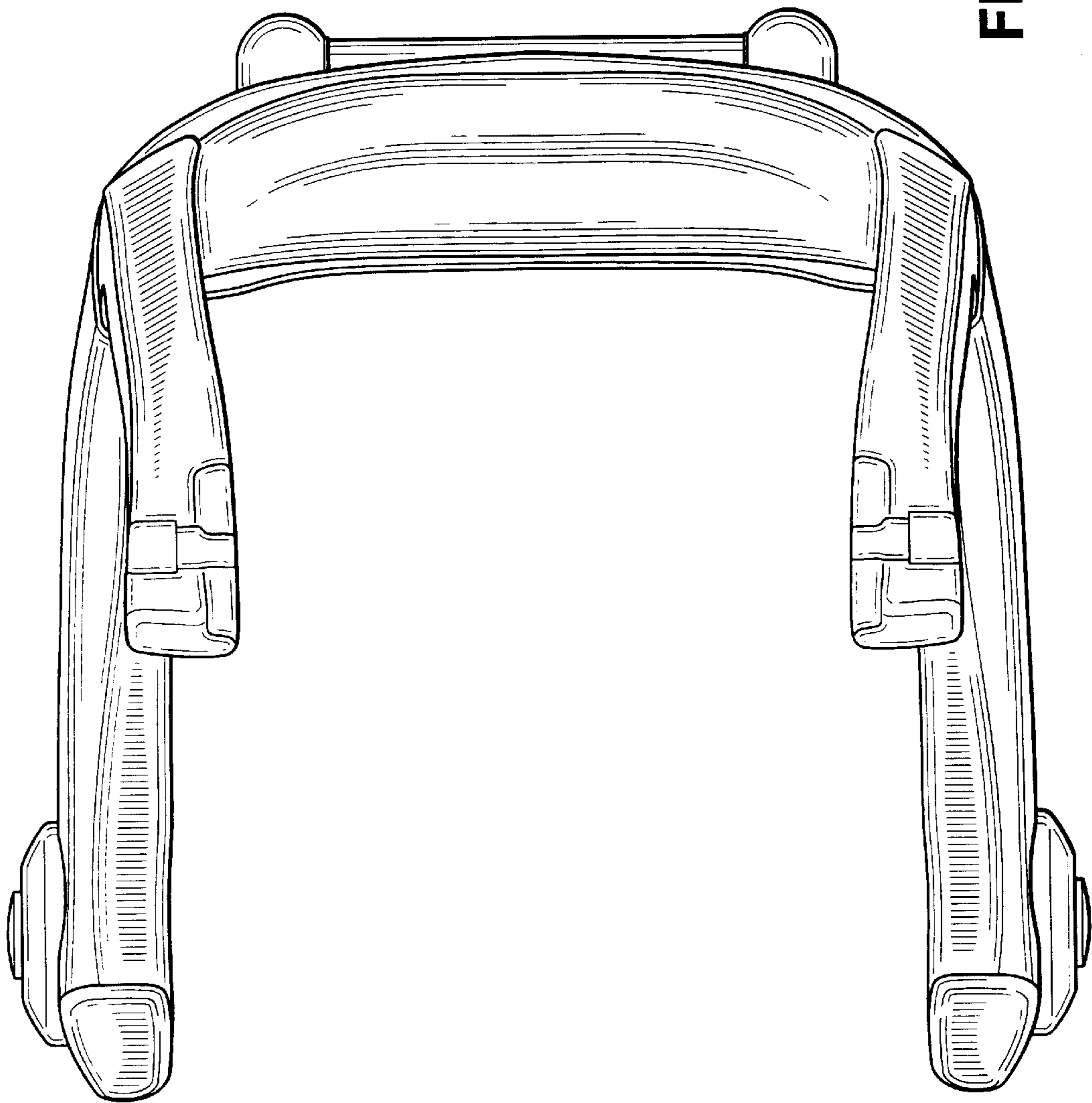


FIG. 29

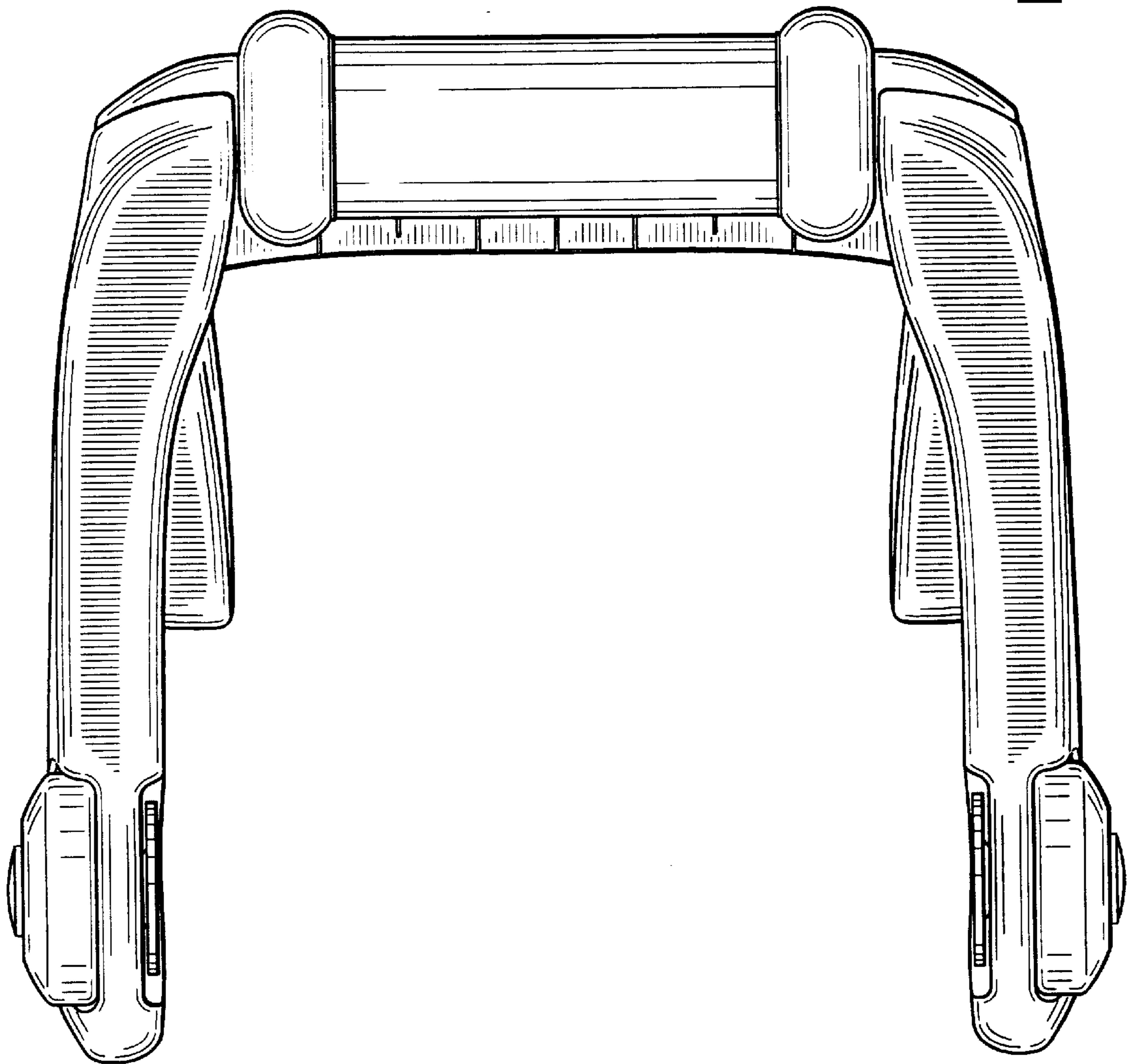


FIG. 30