



US00D443232S

(12) **United States Design Patent**
Chen

(10) **Patent No.:** **US D443,232 S**

(45) **Date of Patent:** **** Jun. 5, 2001**

(54) **SCOOTER**

(75) Inventor: **Jung-Chung Chen**, Kaohsiung (TW)

(73) Assignee: **Kwang Yang Motor Co., Ltd.**,
Kaohsiung (TW)

(**) Term: **14 Years**

(21) Appl. No.: **29/129,566**

(22) Filed: **Sep. 19, 2000**

(51) **LOC (7) Cl.** **12-11**

(52) **U.S. Cl.** **D12/110**

(58) **Field of Search** **D12/107, 110;**
180/219-221; D21/423

(56) **References Cited**

U.S. PATENT DOCUMENTS

D. 300,523	*	4/1989	Ito et al.	D12/110
D. 307,119	*	4/1990	Yeh	D12/110
D. 331,553	*	12/1992	Agnolucci	D12/110
D. 341,341	*	11/1993	Nakamura et al.	D12/110
D. 399,174	*	10/1998	Takeshita et al.	D12/110

OTHER PUBLICATIONS

Cycle World, Suzuki scooter on p. 30, Apr. 1997.*

* cited by examiner

Primary Examiner—Alan P. Douglas

Assistant Examiner—Linda Brooks

(74) *Attorney, Agent, or Firm*—Rosenberg, Klein & Lee

(57) **CLAIM**

The ornamental design for a scooter, as shown and described.

DESCRIPTION

FIG. 1 is a perspective view of a scooter showing my new design.

FIG. 2 is a front side elevation view thereof;

FIG. 3 is a rear side elevation view thereof;

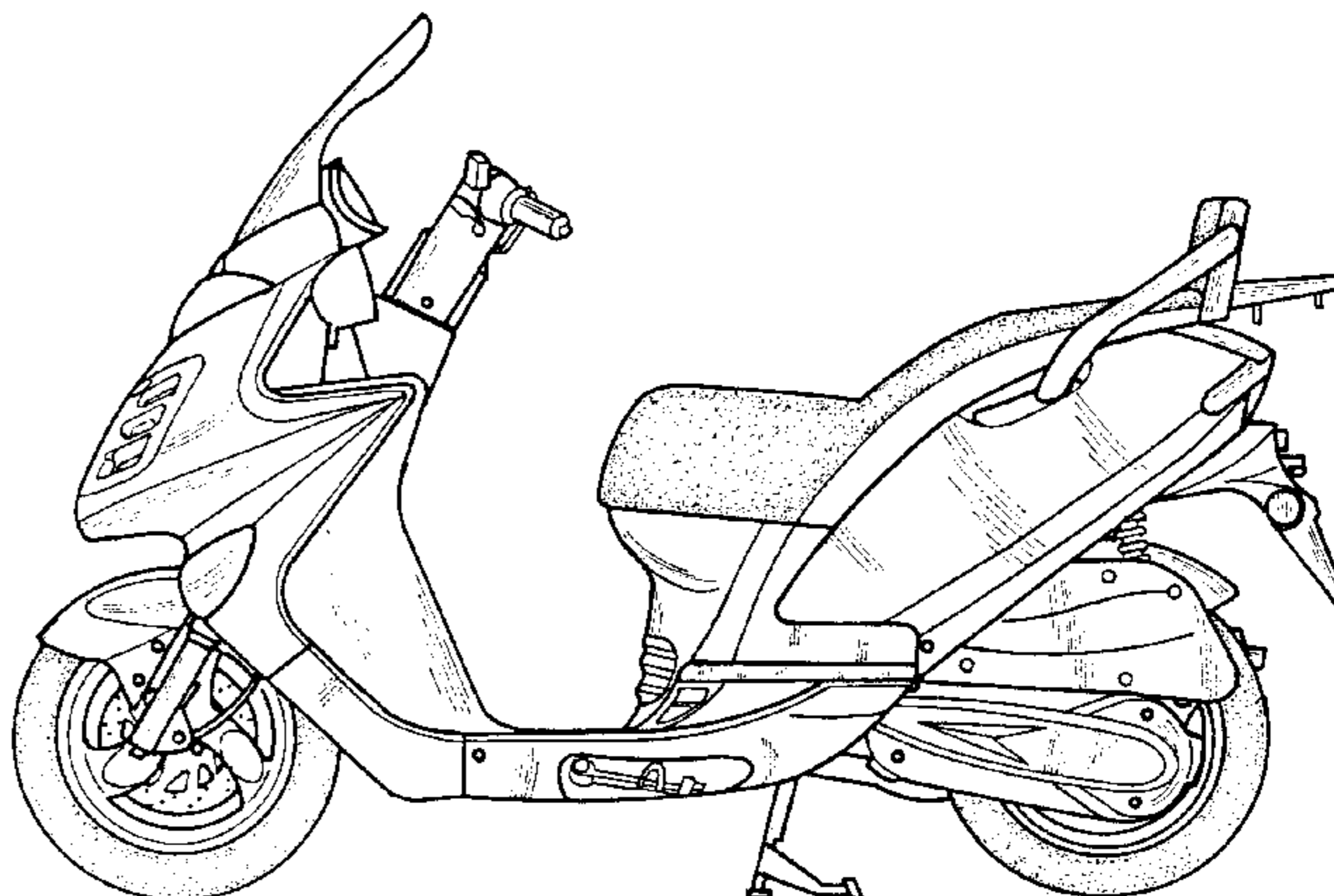
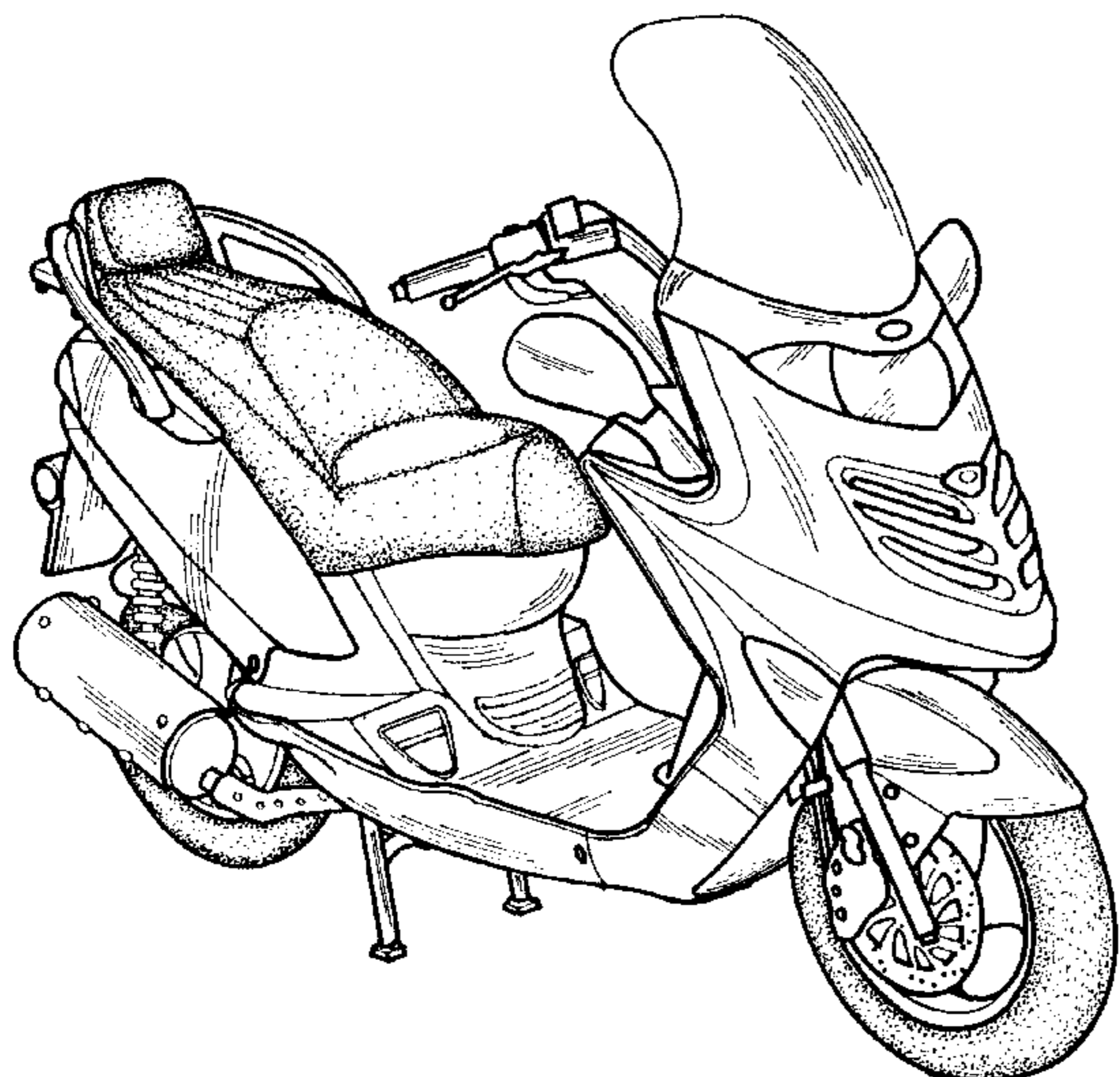
FIG. 4 is a left side elevation view thereof;

FIG. 5 is a right side elevation view thereof;

FIG. 6 is a top plan view thereof; and,

FIG. 7 is a bottom plan view thereof.

1 Claim, 4 Drawing Sheets



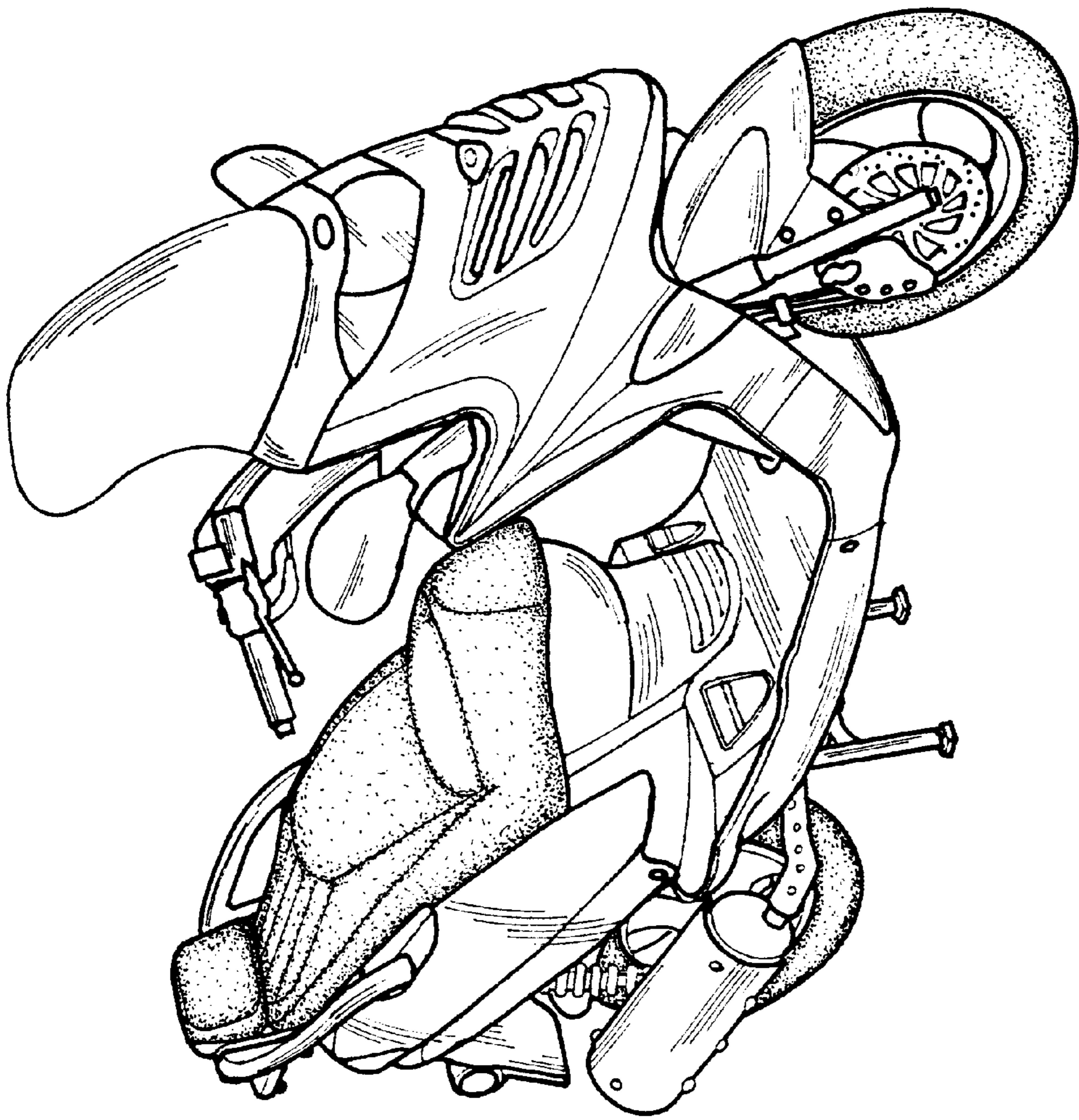


FIG.1

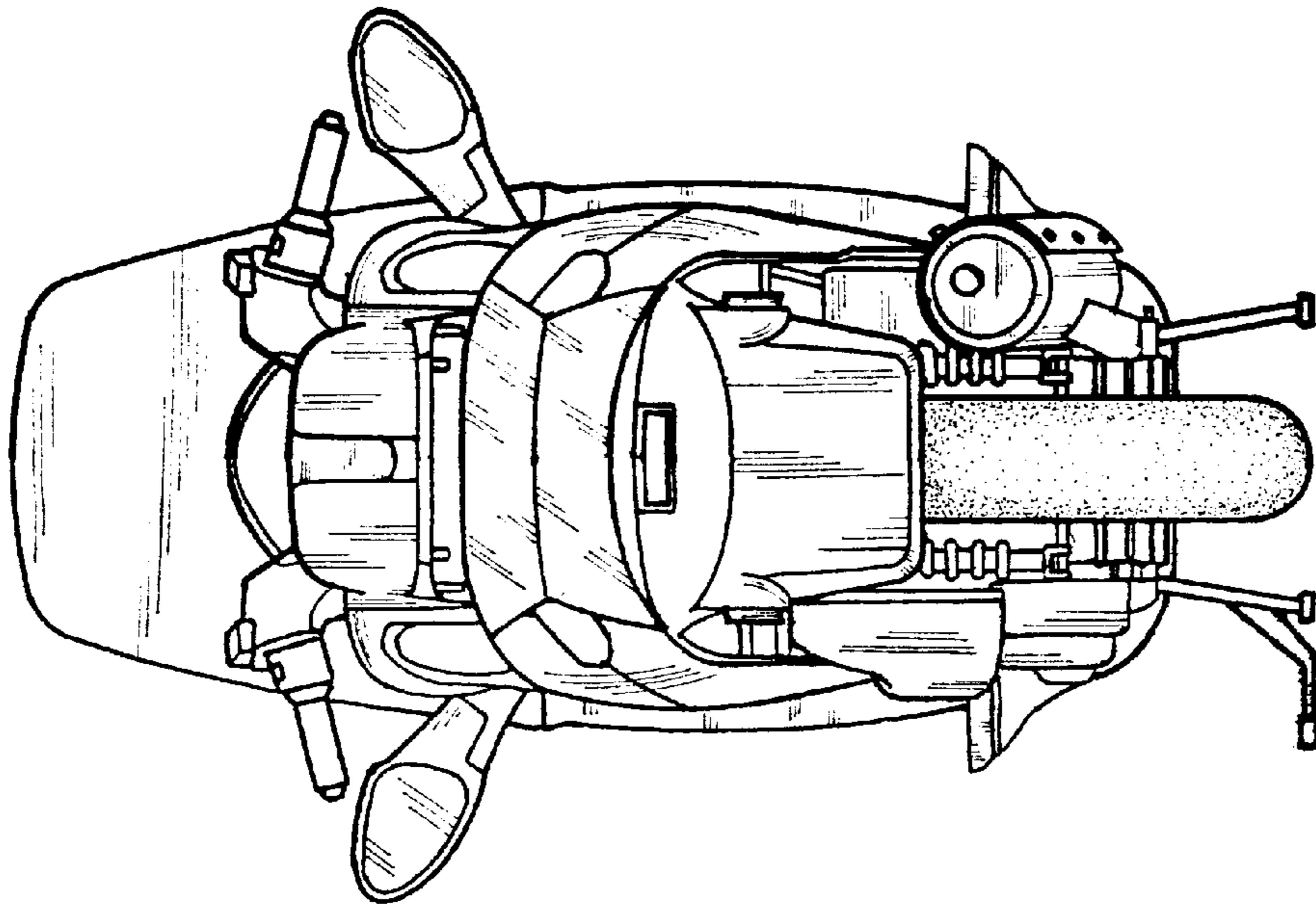


FIG.3

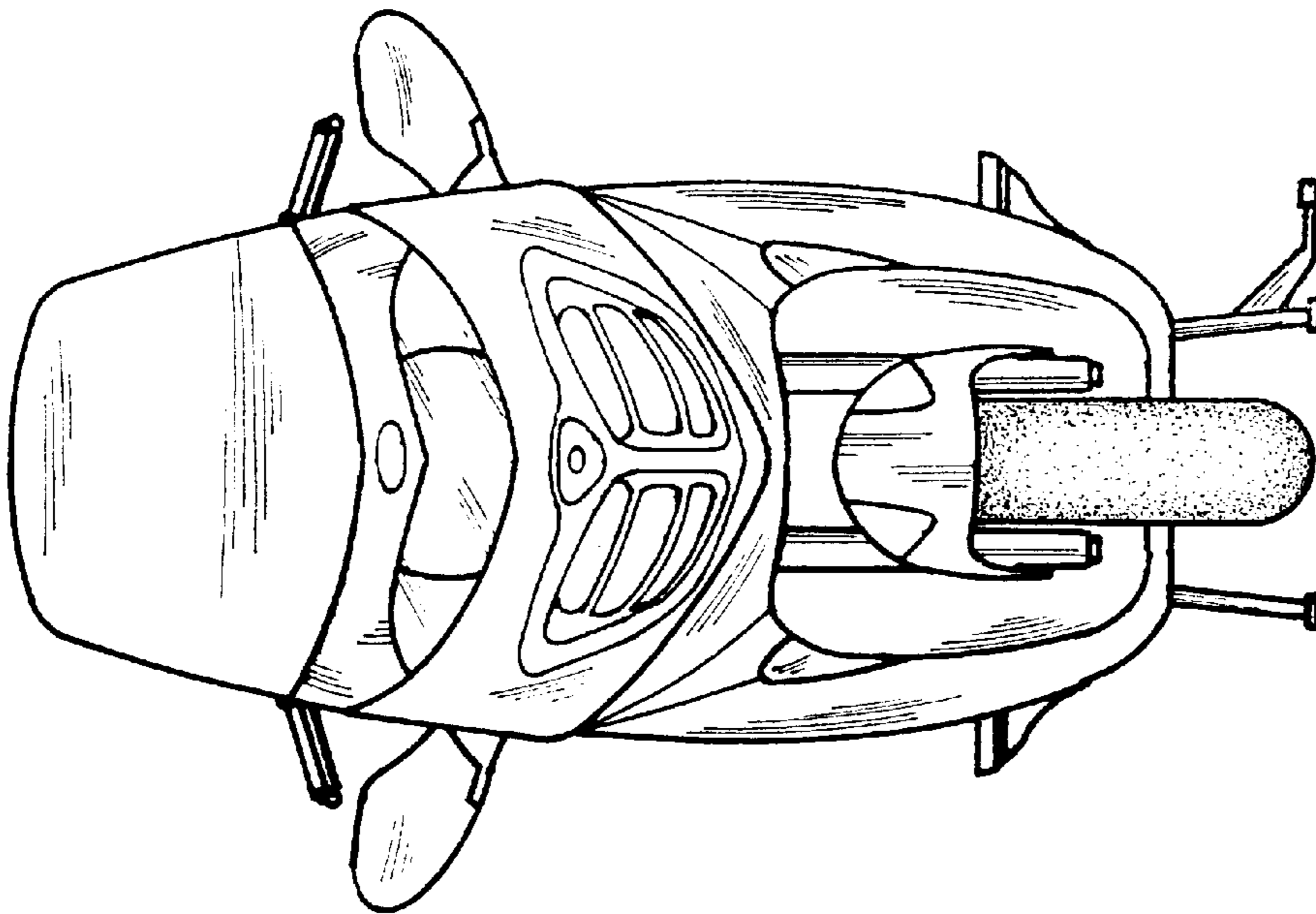


FIG.2

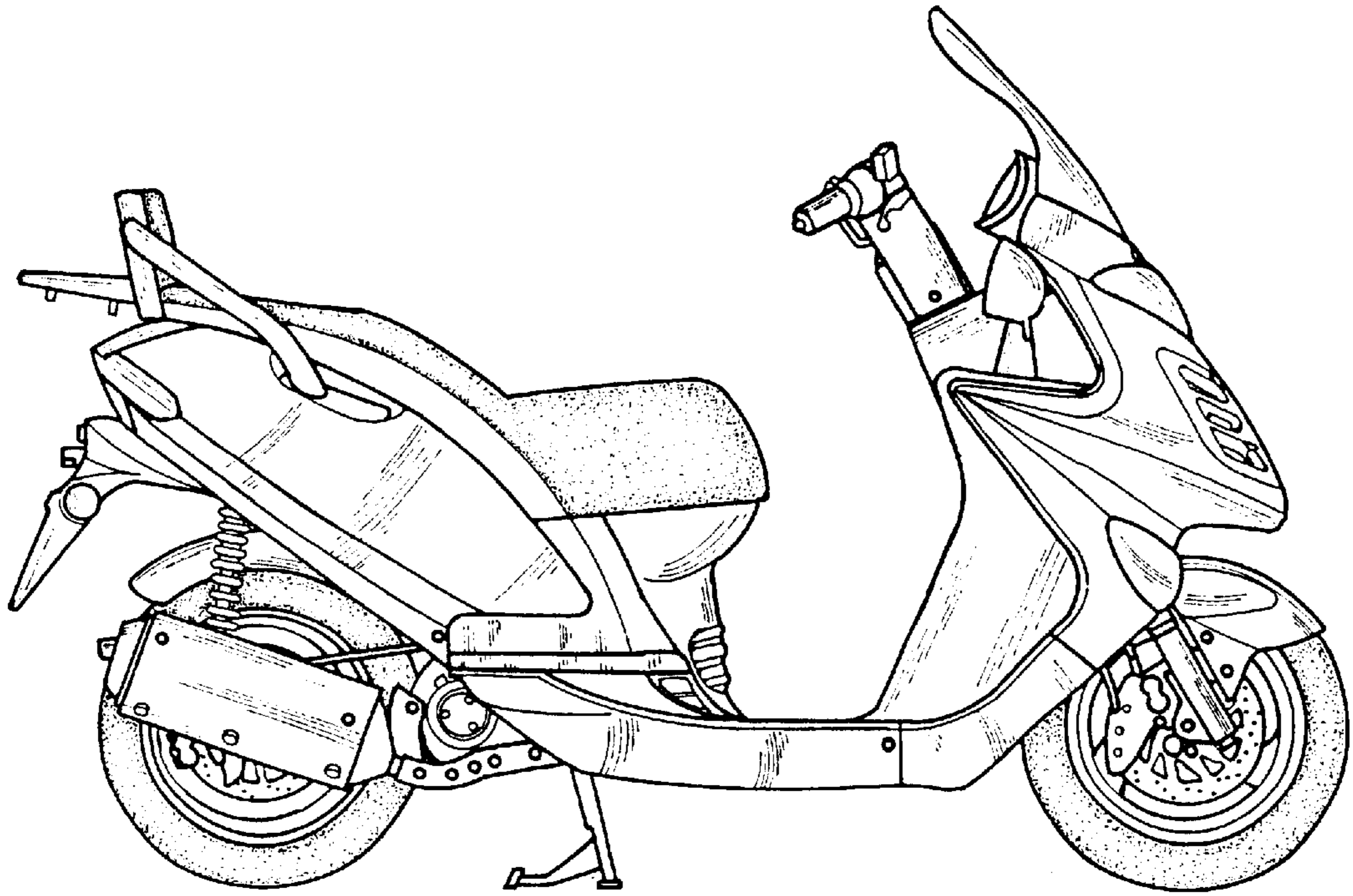


FIG.4

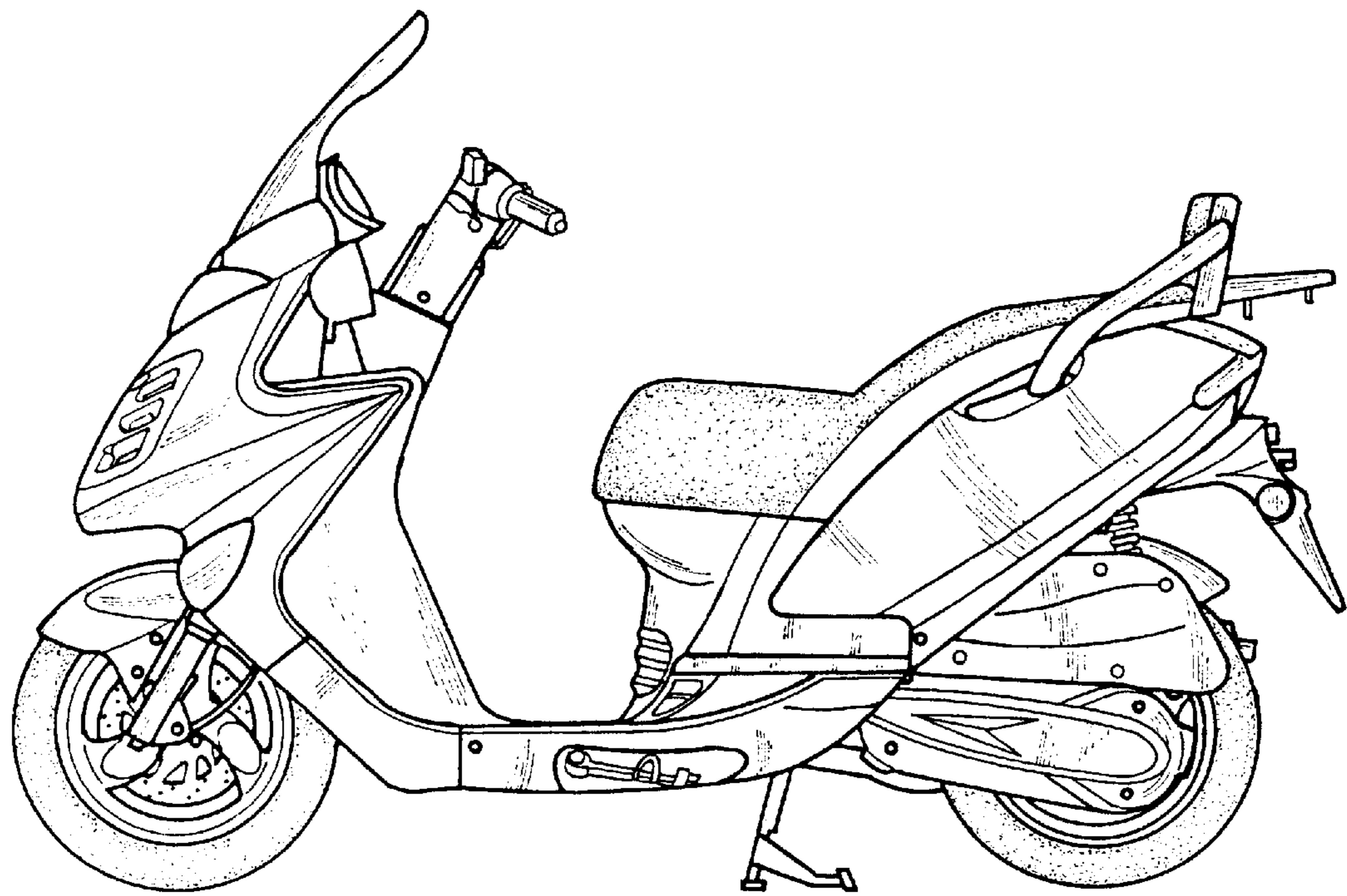


FIG.5

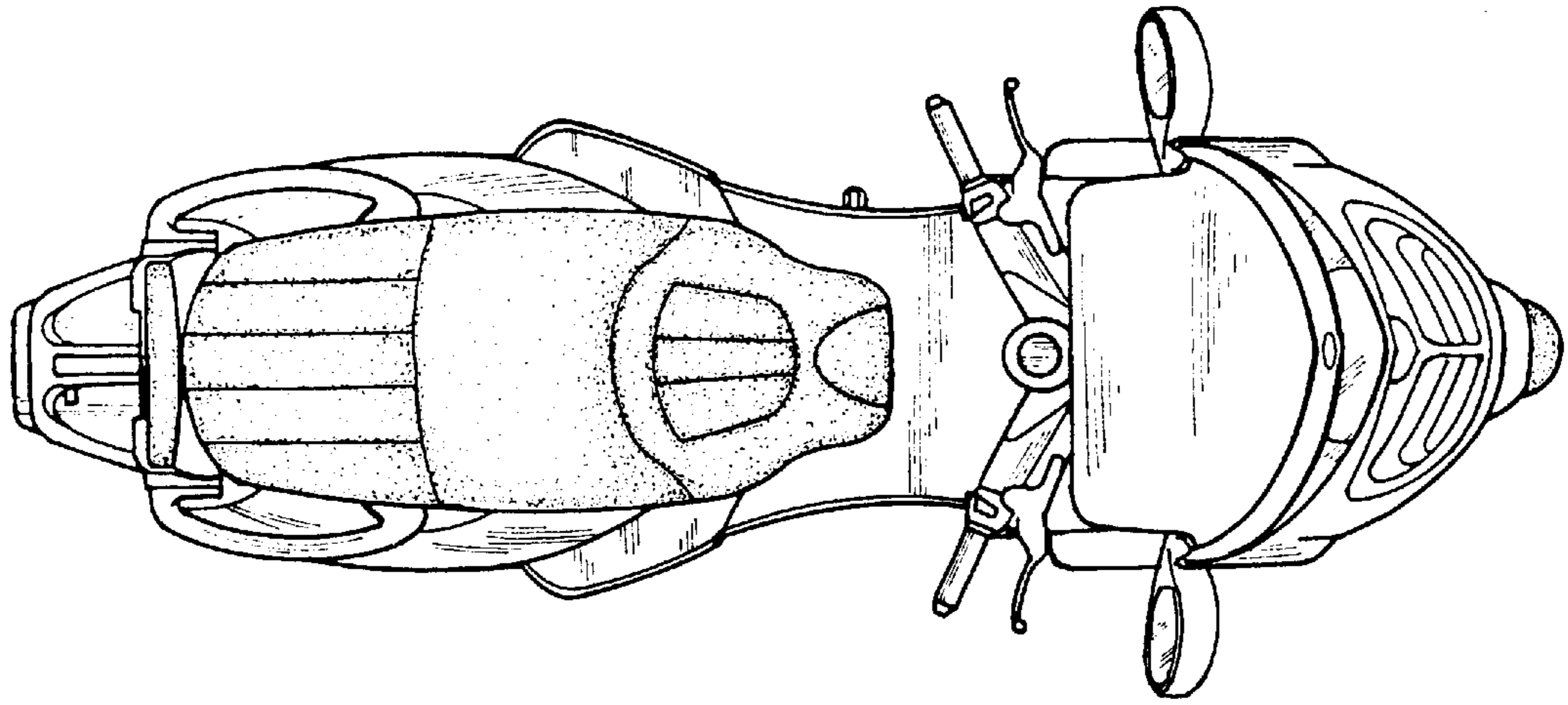


FIG. 6

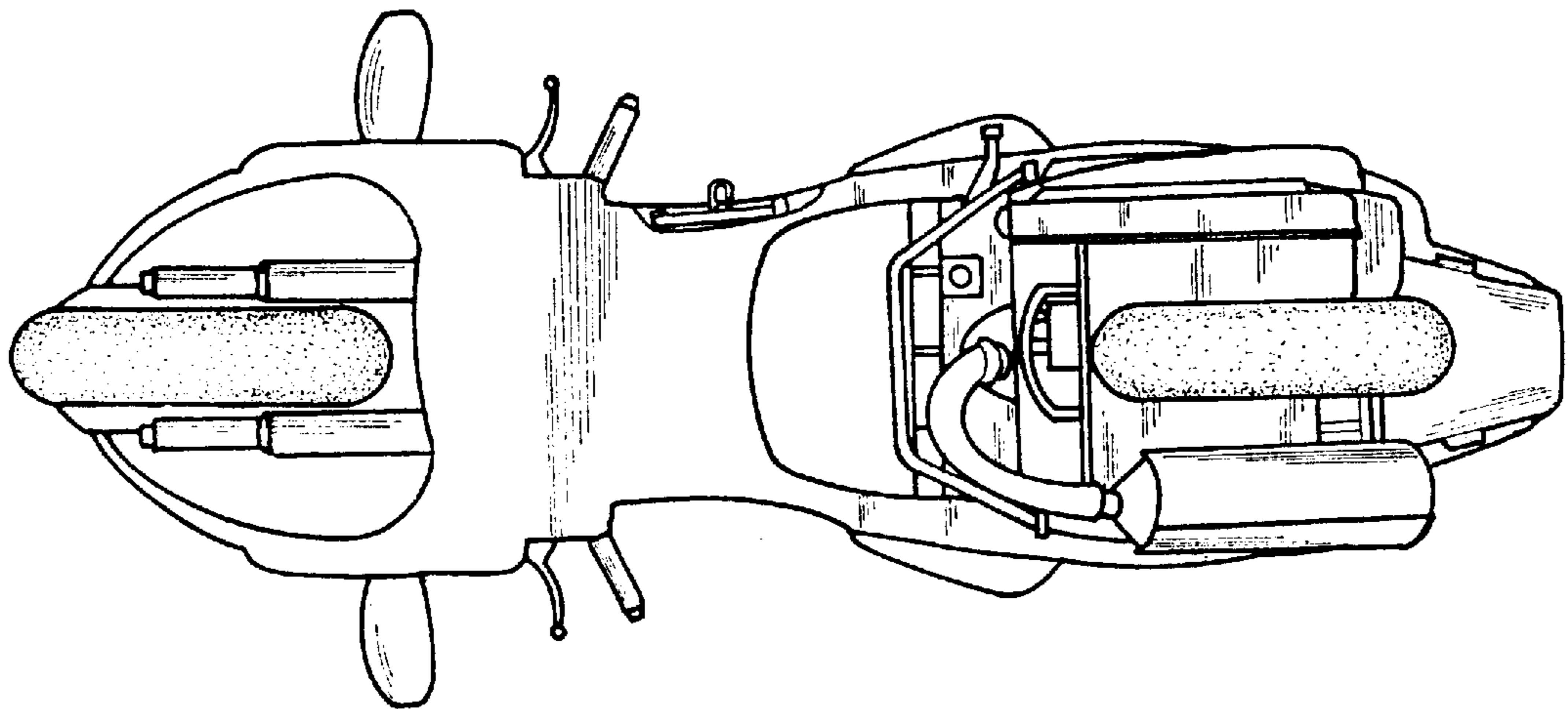


FIG. 7