



US00D443230S

(12) **United States Design Patent**
DaRosa

(10) **Patent No.:** **US D443,230 S**

(45) **Date of Patent:** **** Jun. 5, 2001**

(54) **NOVELTY CONTAINER FOR RECEIVING SHREDDED CREDIT CARDS**

(76) **Inventor:** **William DaRosa**, 66 Sherman Ave., Bristol, RI (US) 02809

(**) **Term:** **14 Years**

(21) **Appl. No.:** **29/133,710**

(22) **Filed:** **Dec. 5, 2000**

(51) **LOC (7) Cl.** **11-02**

(52) **U.S. Cl.** **D11/157**

(58) **Field of Search** D11/131, 157;
D34/7; D8/99

(56) **References Cited**

U.S. PATENT DOCUMENTS

- D. 175,476 * 8/1955 Paddock D34/7
- D. 180,187 * 4/1957 Gunn D34/7
- D. 212,551 * 10/1968 Shutt D34/7
- D. 269,643 * 7/1983 Hartman D34/7

- D. 396,825 * 8/1998 Hsieh D11/157
- D. 413,280 * 8/1999 Weiss D11/157

* cited by examiner

Primary Examiner—Dominic Simone

(74) *Attorney, Agent, or Firm*—Salter & Michaelson

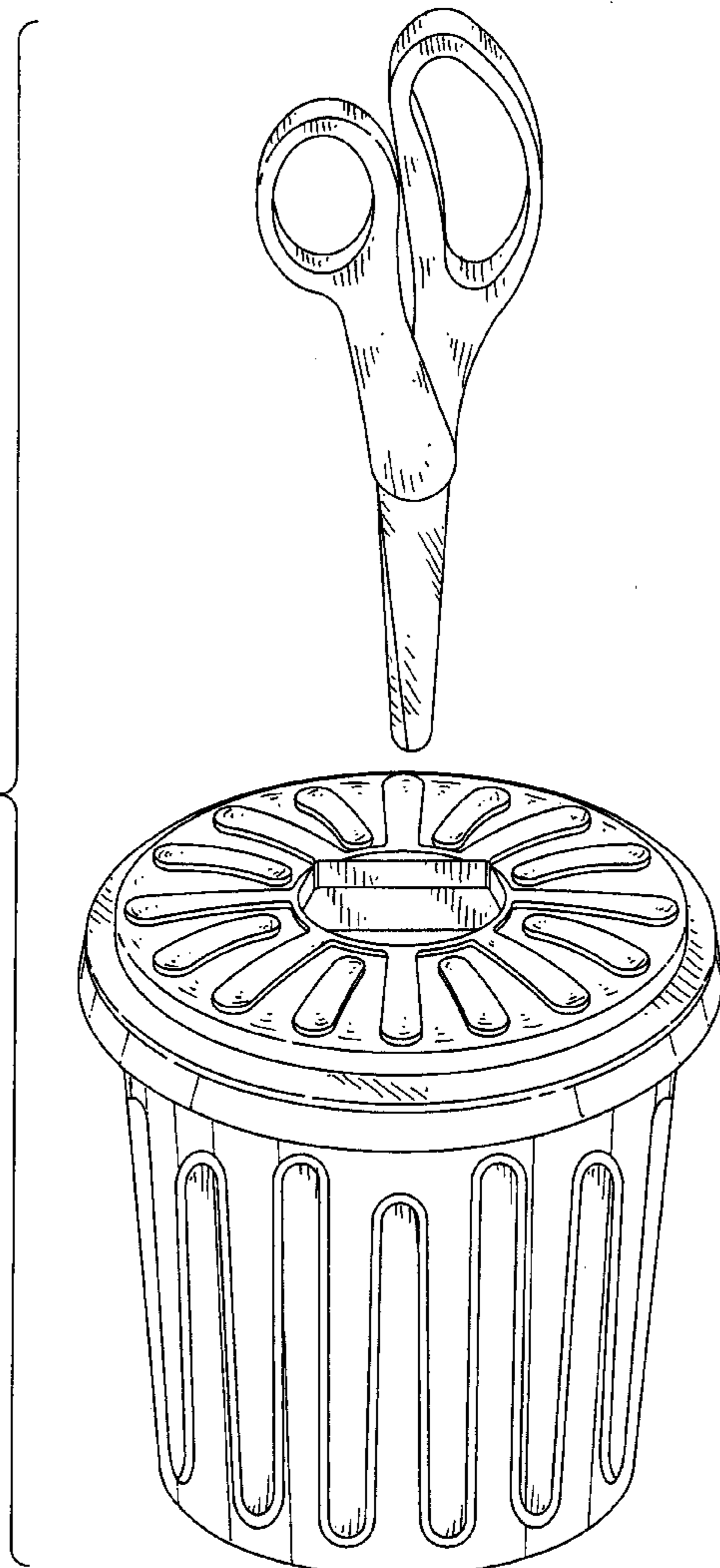
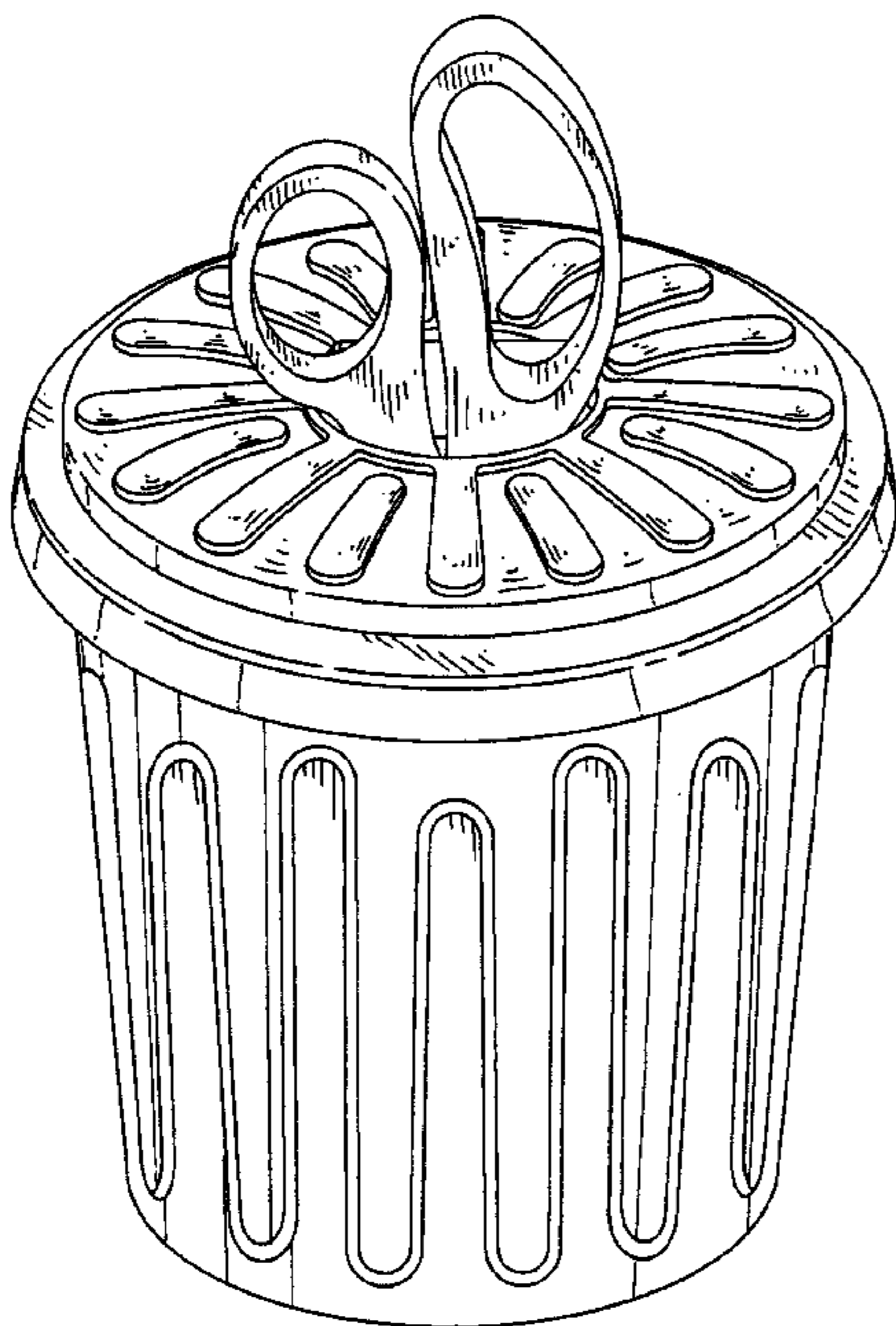
(57) **CLAIM**

The ornamental design for a novelty container for receiving shredded credit cards, as shown and described.

DESCRIPTION

FIG. 1 is a perspective view of my design for a novelty container for receiving shredded credit cards; FIG. 2 is a front side elevational view thereof; FIG. 3 is a rear side elevational view thereof; FIG. 4 is a left side elevational view thereof; FIG. 5 is a right side elevational view thereof; FIG. 6 is a top plan view thereof; FIG. 7 is a bottom plan view thereof; and, FIG. 8 is an exploded perspective view thereof.

1 Claim, 5 Drawing Sheets



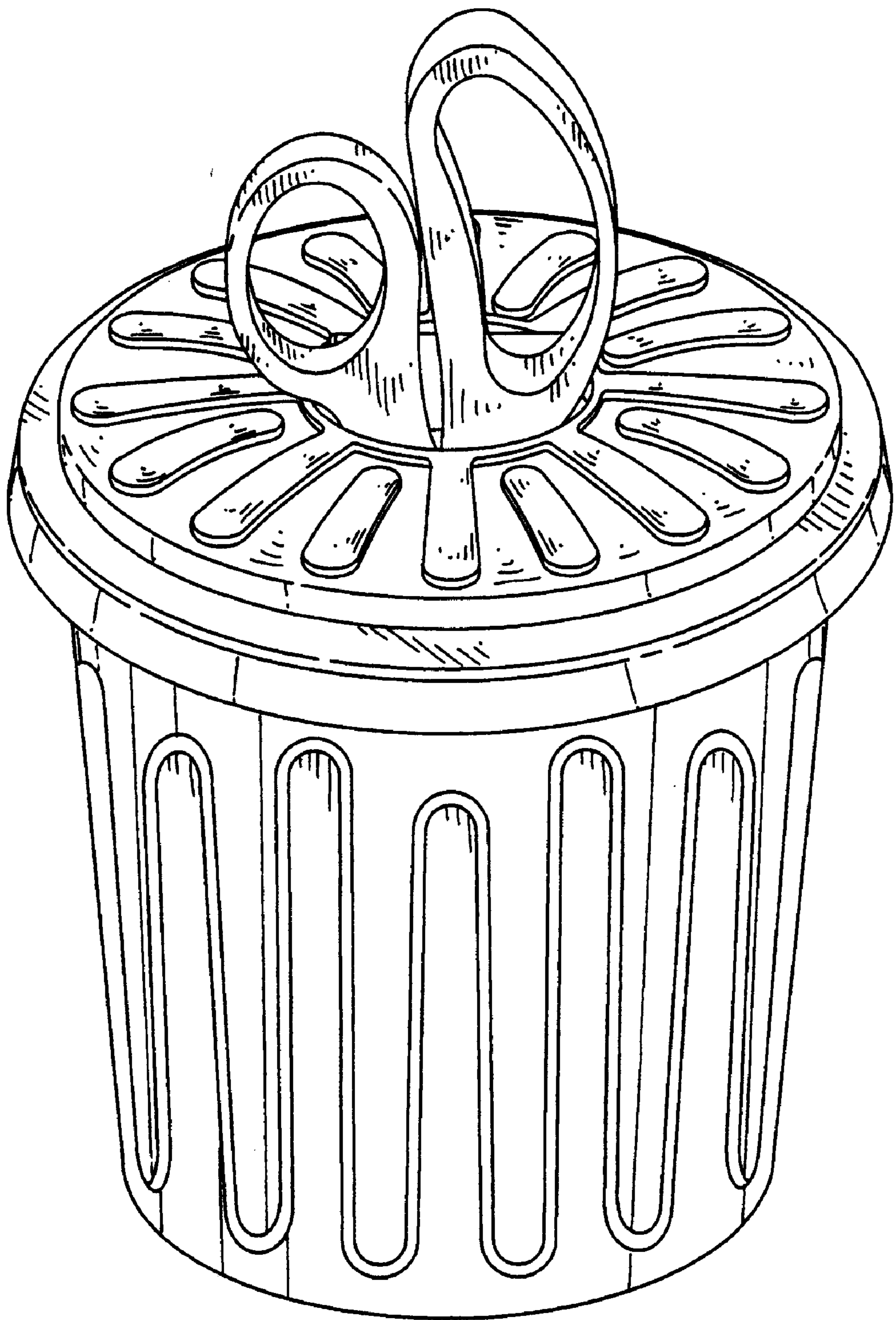


FIG. 1

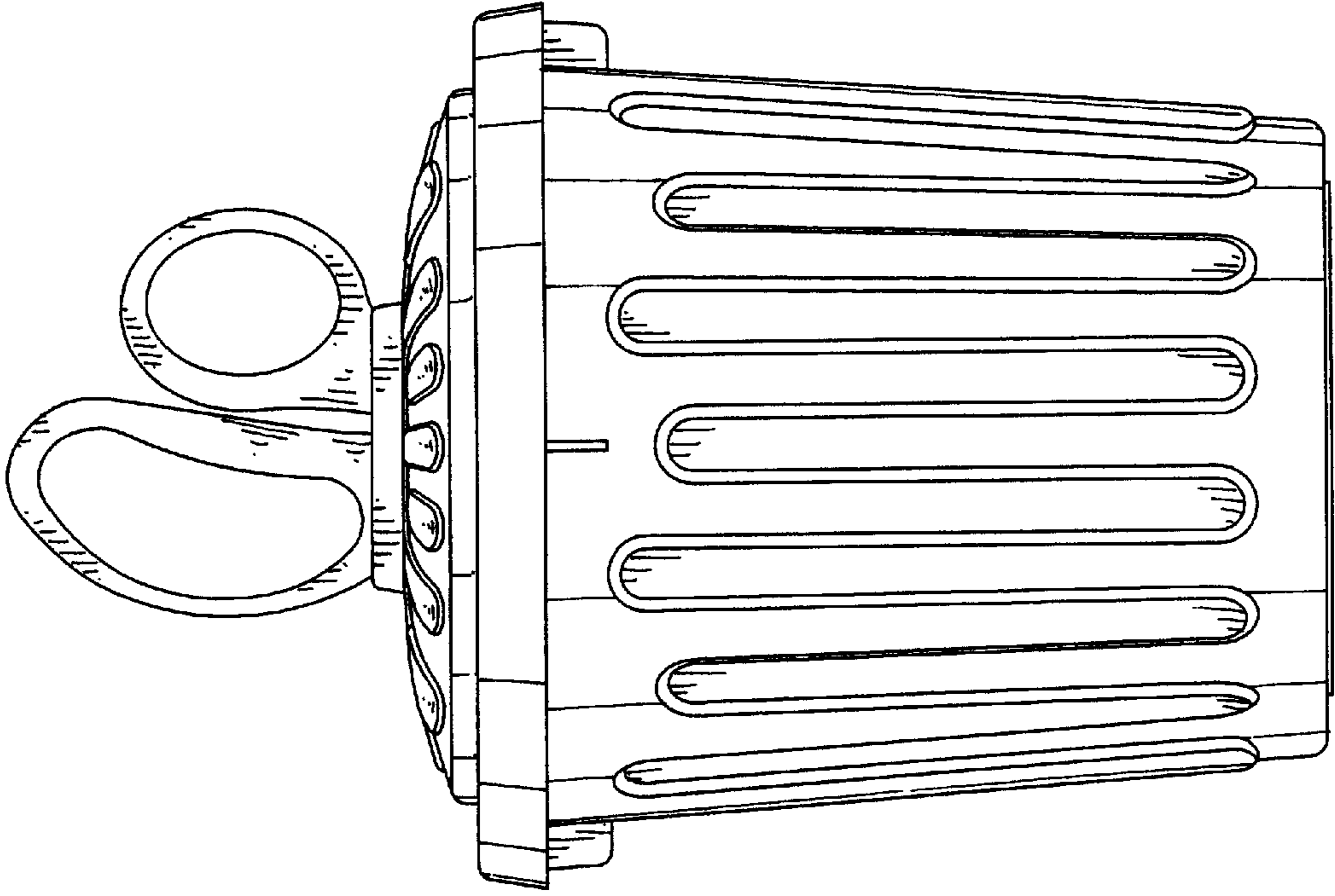


FIG. 2

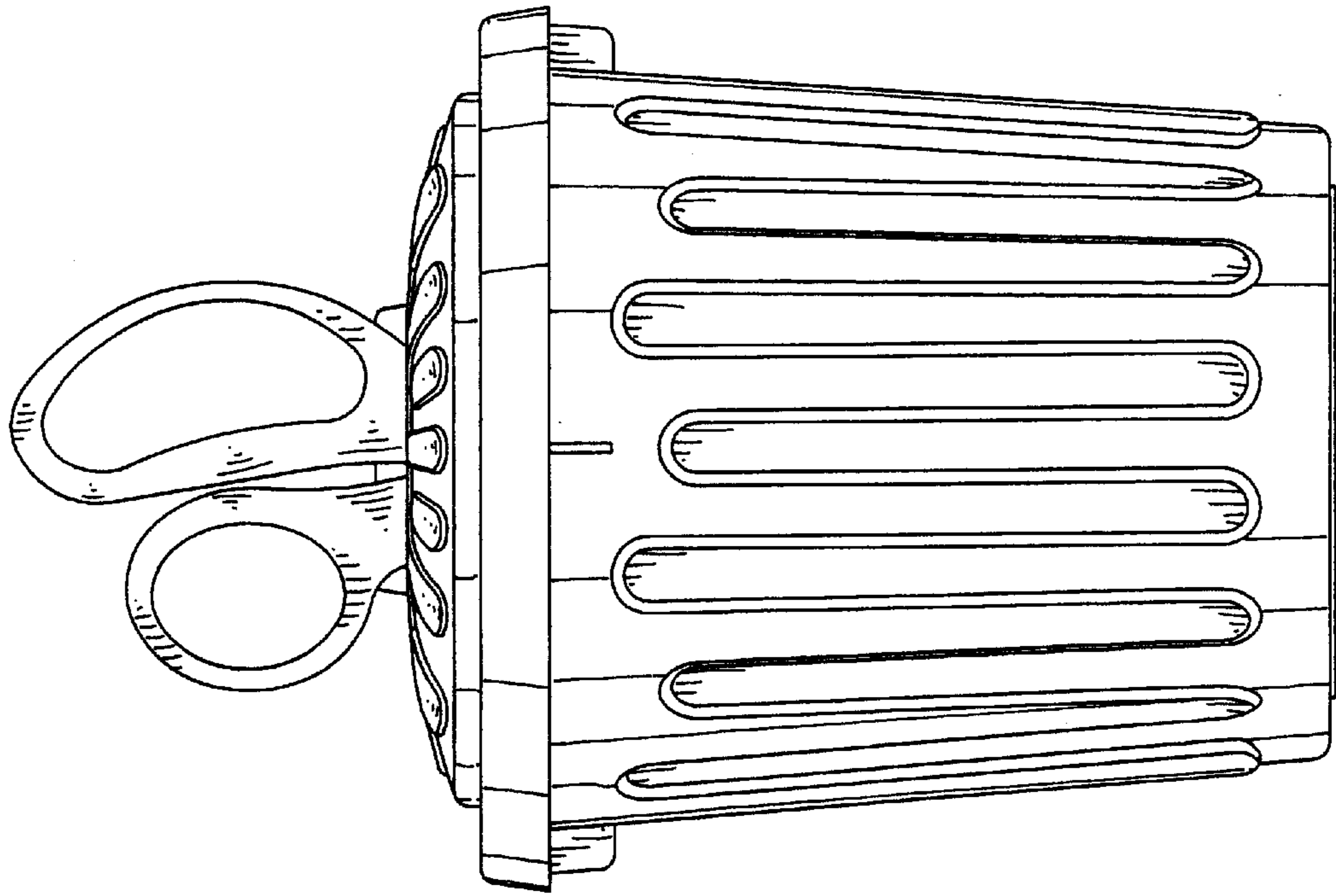


FIG. 3

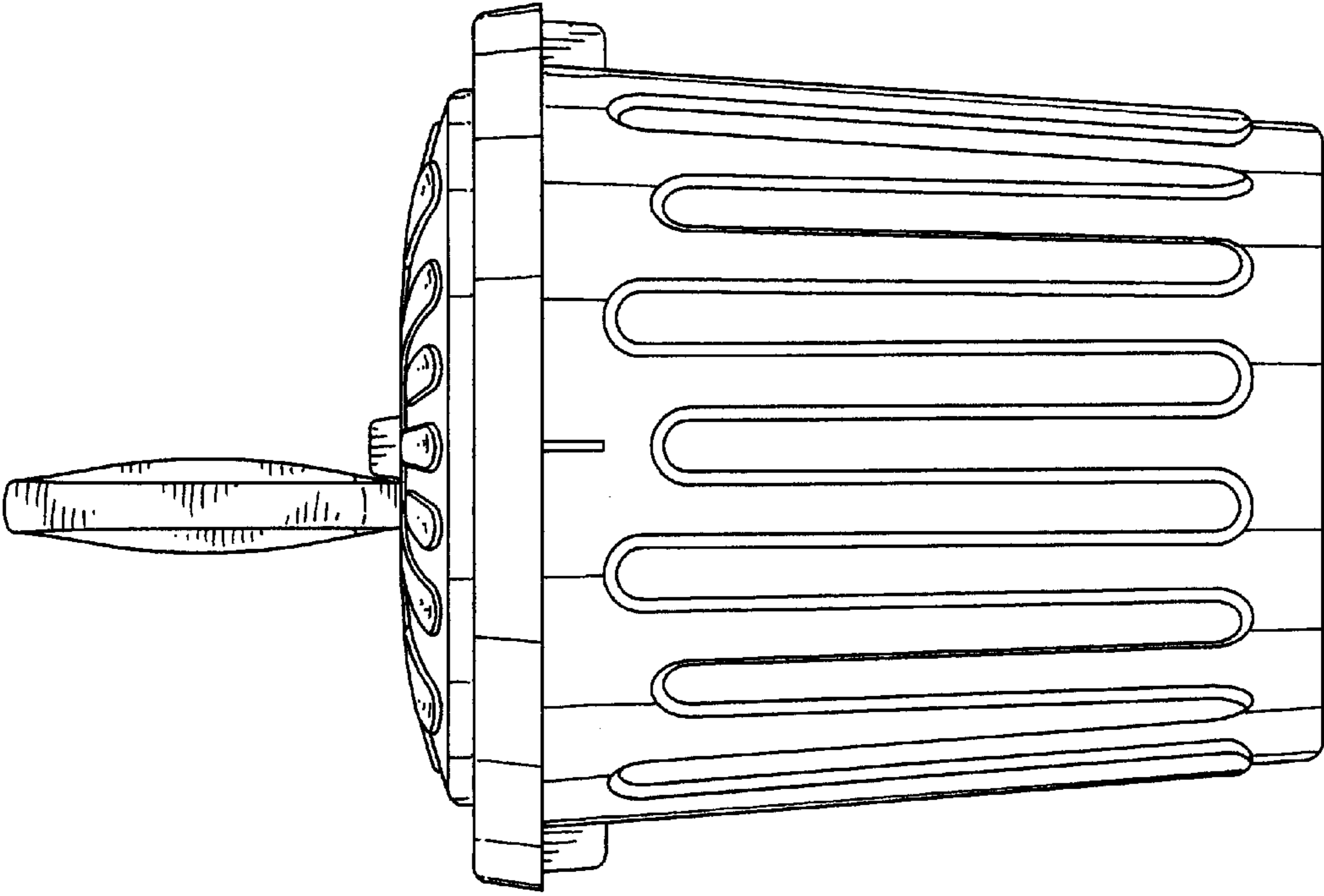


FIG. 5

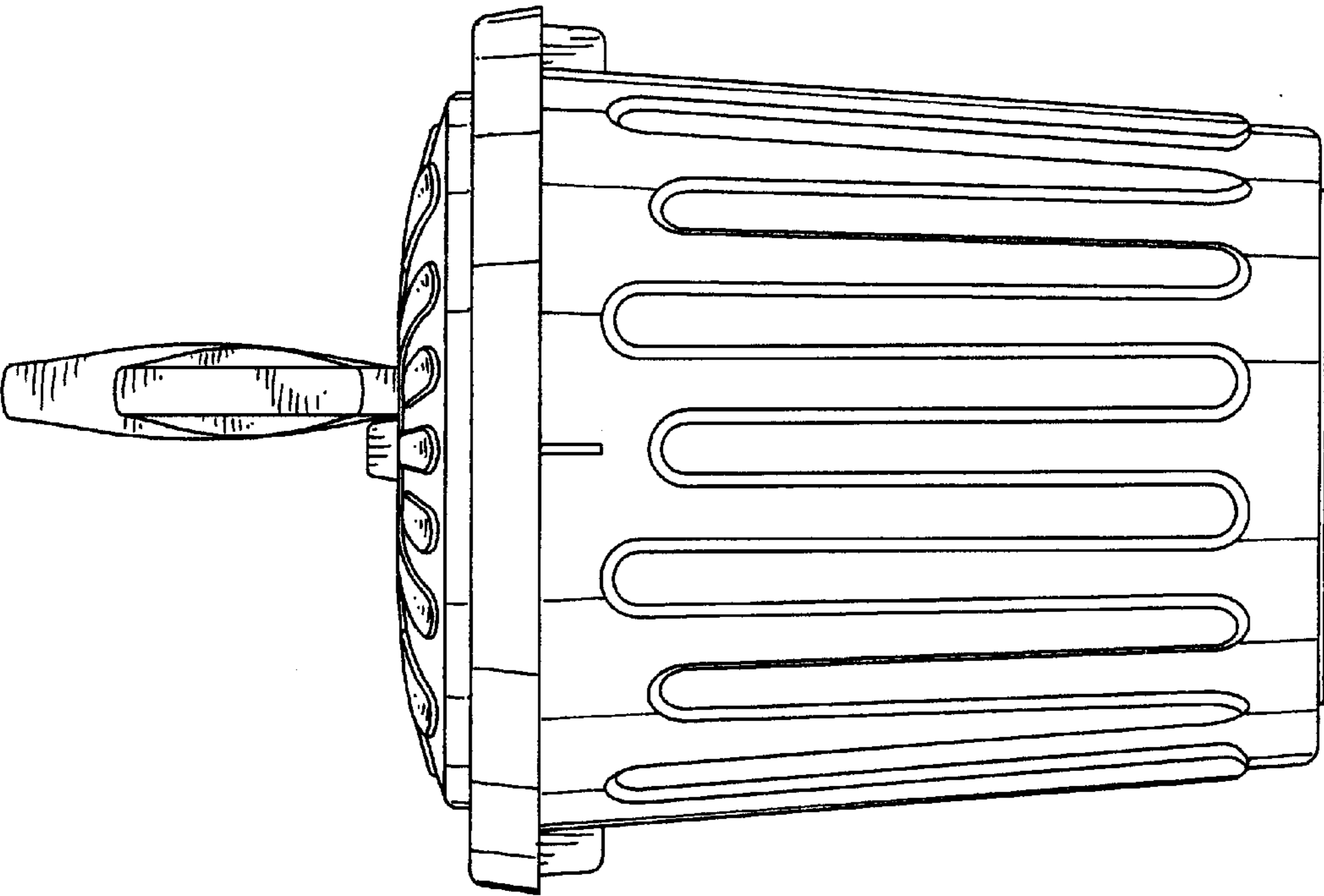


FIG. 4

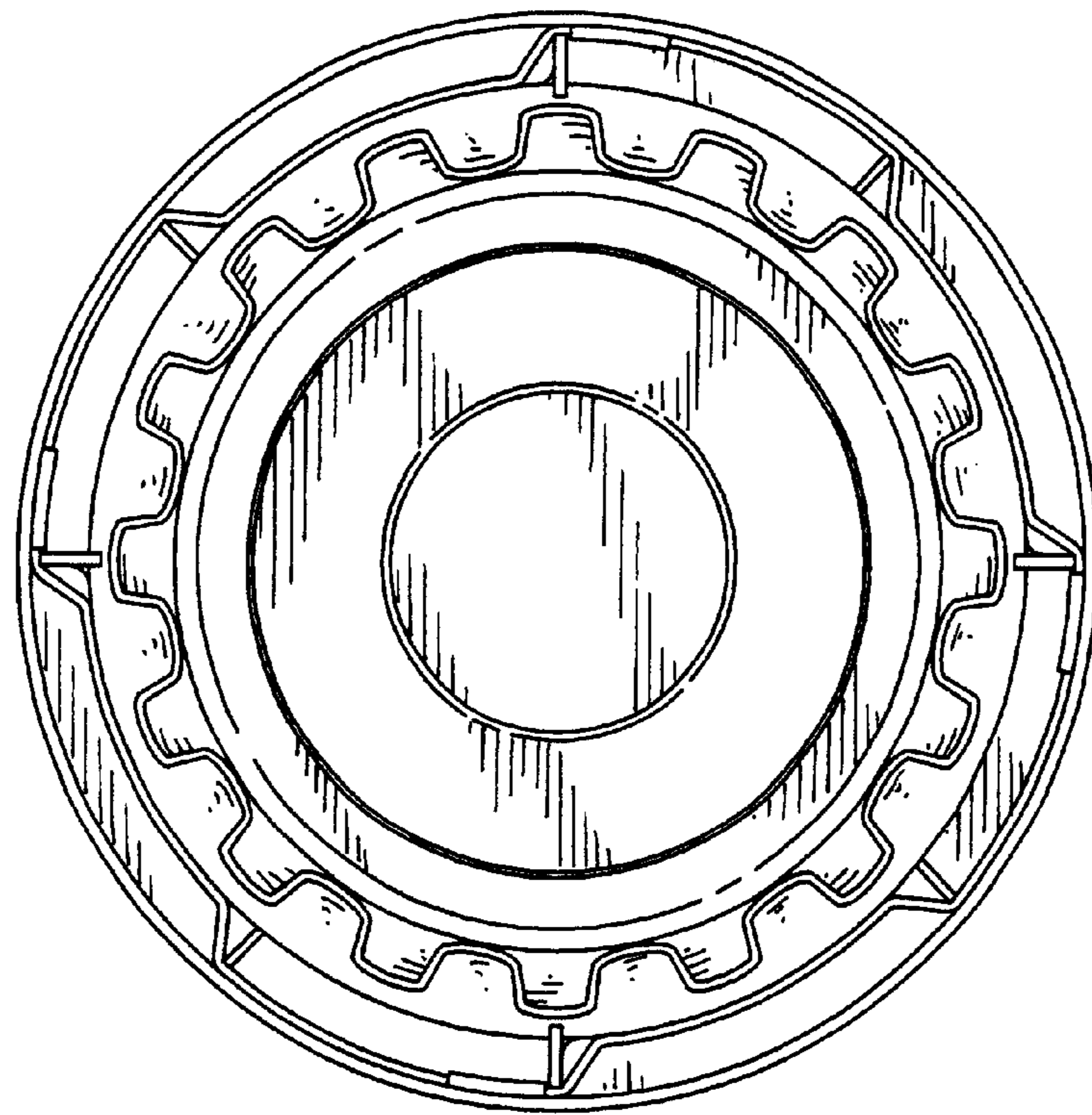


FIG. 7

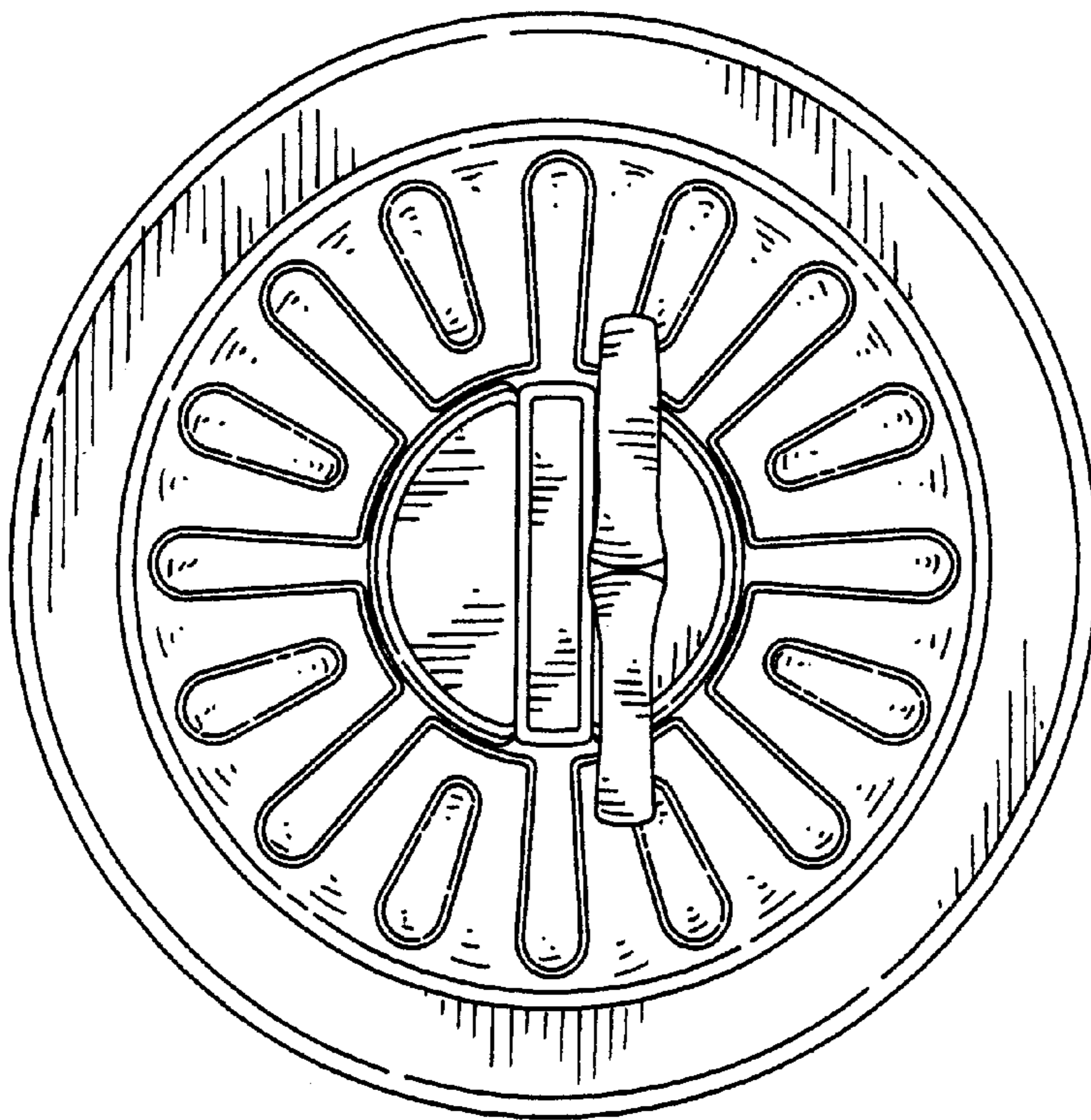


FIG. 6

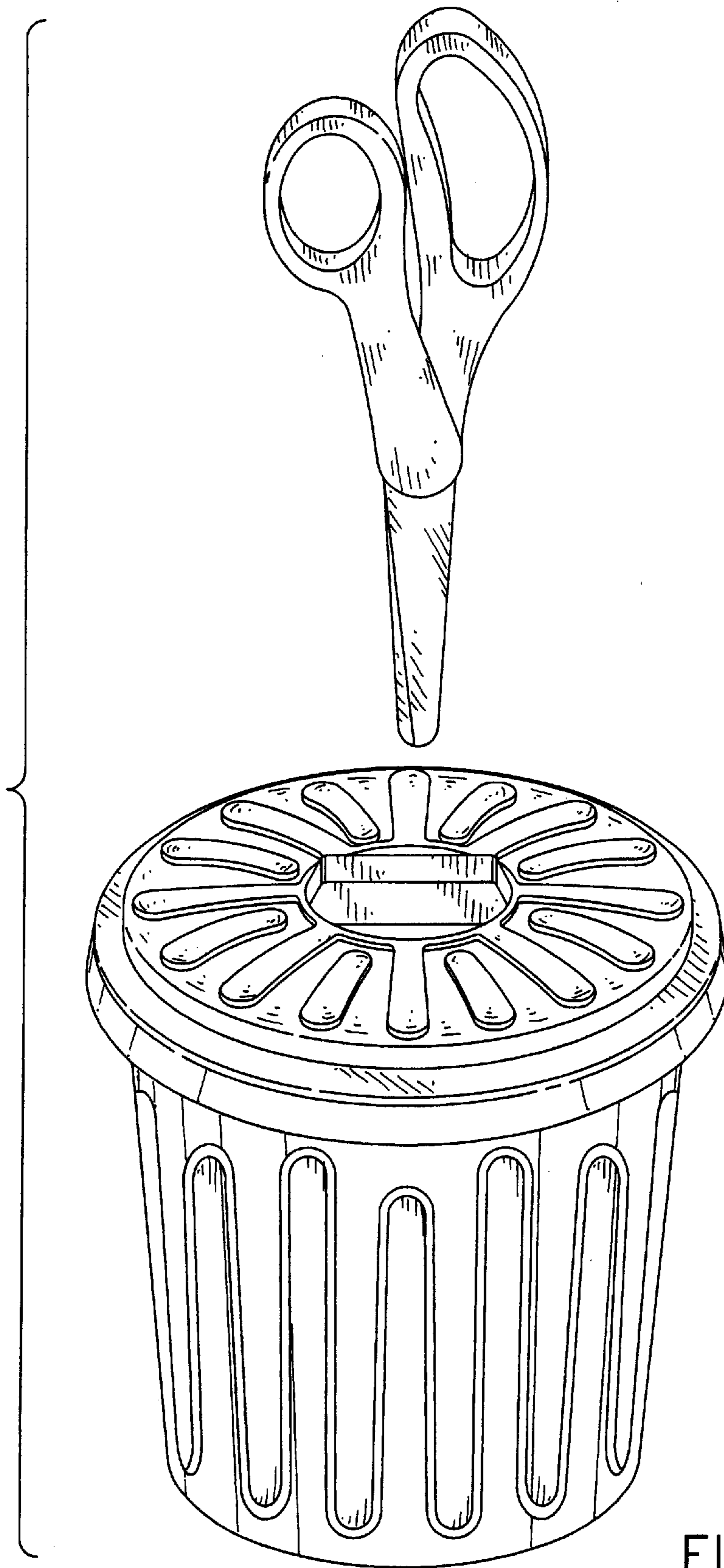


FIG. 8