



US00D443227S

(12) **United States Design Patent**
Sofy et al.

(10) **Patent No.:** **US D443,227 S**

(45) **Date of Patent:** **** Jun. 5, 2001**

(54) **TREE STAND**

(75) Inventors: **Janet M Sofy**, Troy; **Brian Wood**,
Bloomfield Hills, both of MI (US)

(73) Assignee: **HMS Mfg. Co.**, Troy, MI (US)

(**) Term: **14 Years**

(21) Appl. No.: **29/125,450**

(22) Filed: **Jun. 23, 2000**

(51) **LOC (7) Cl.** **11-05**

(52) **U.S. Cl.** **D11/130.1**

(58) **Field of Search** D11/130.1; 47/40.5;
248/527

(56) **References Cited**

U.S. PATENT DOCUMENTS

- D. 188,862 * 9/1960 Krastel D11/130.1
- D. 364,831 * 12/1995 Fillipp D11/130.1

- D. 373,327 * 9/1996 Rush et al. D11/130.1
- D. 428,357 * 7/2000 Fillipp et al. D11/130.1
- 1,742,212 * 1/1930 Muldoon D11/130.1 X
- 2,044,192 * 6/1936 Templin, Jr. 47/40.5

* cited by examiner

Primary Examiner—Dominic Simone

(74) *Attorney, Agent, or Firm*—Howard & Howard

(57) **CLAIM**

We claim the ornamental design for a tree stand, as shown.

DESCRIPTION

FIG. 1 is a perspective view of the tree stand;
 FIG. 2 is a top view of the tree stand;
 FIG. 3 is a side view taken from the right side of FIG. 2;
 FIG. 4 is a side view taken from the bottom of FIG. 2;
 FIG. 5 is a side view taken from the left side of FIG. 2; and,
 FIG. 6 is a bottom view of FIG. 4.

1 Claim, 3 Drawing Sheets

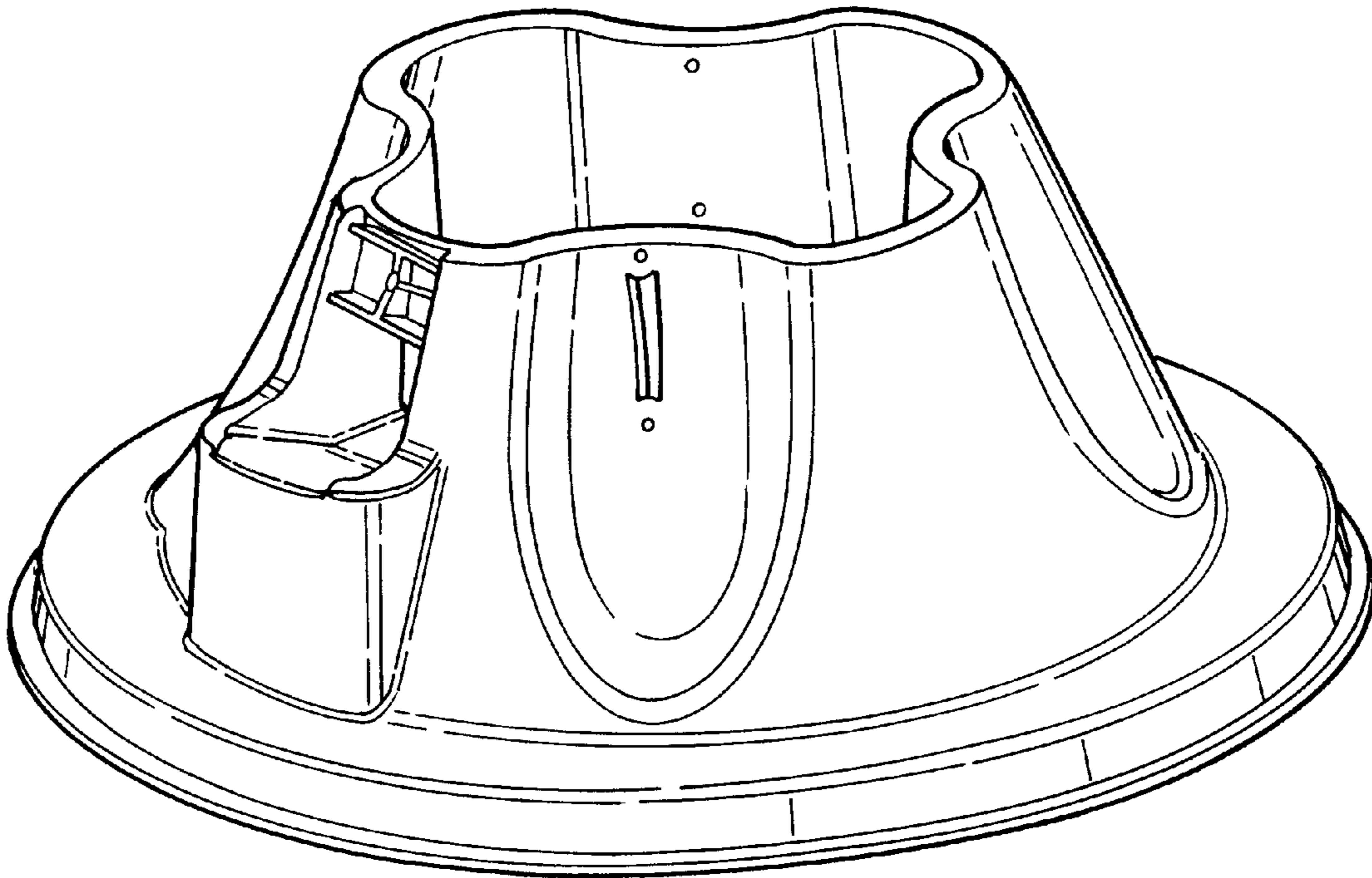


FIG -1

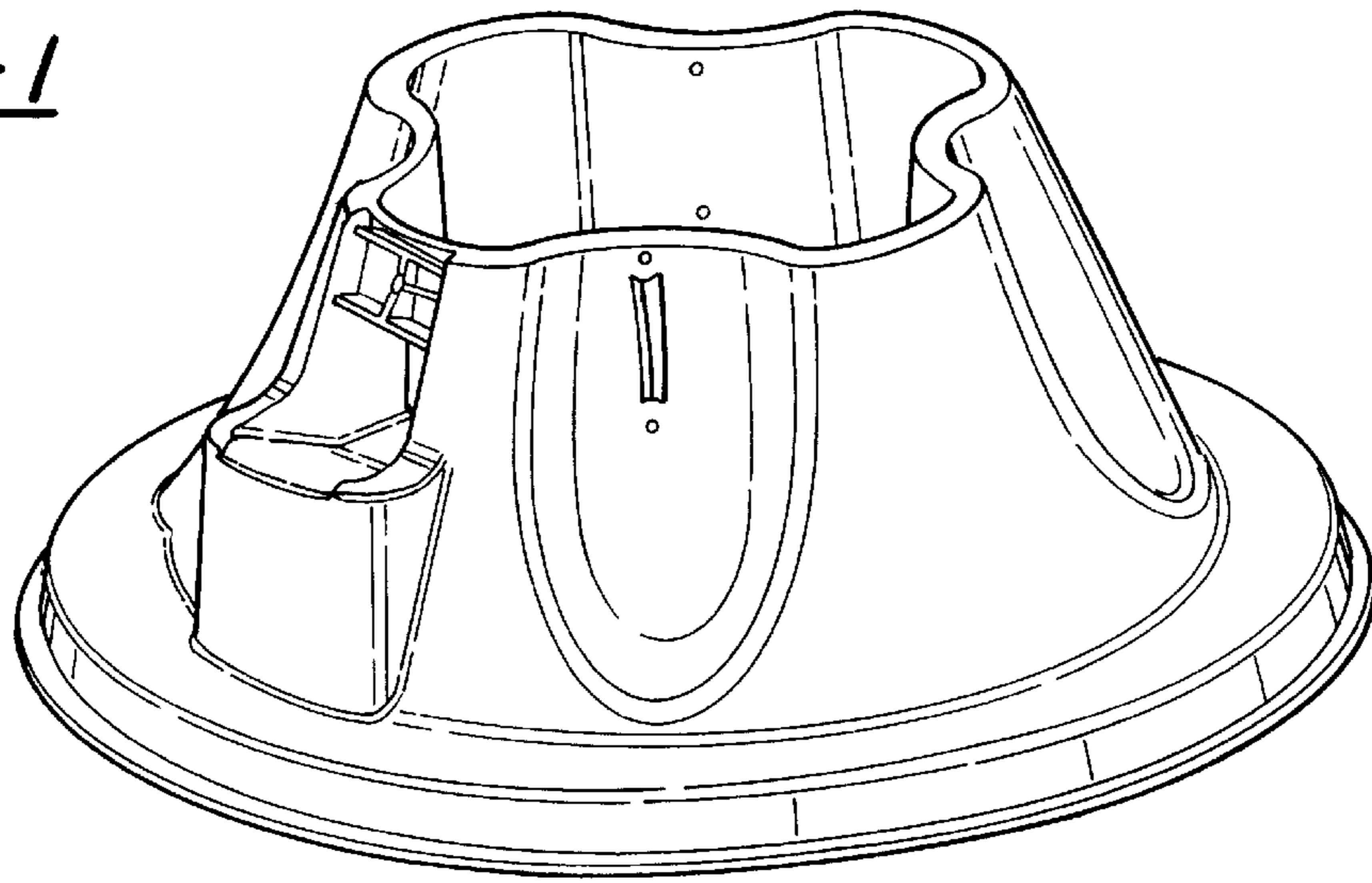
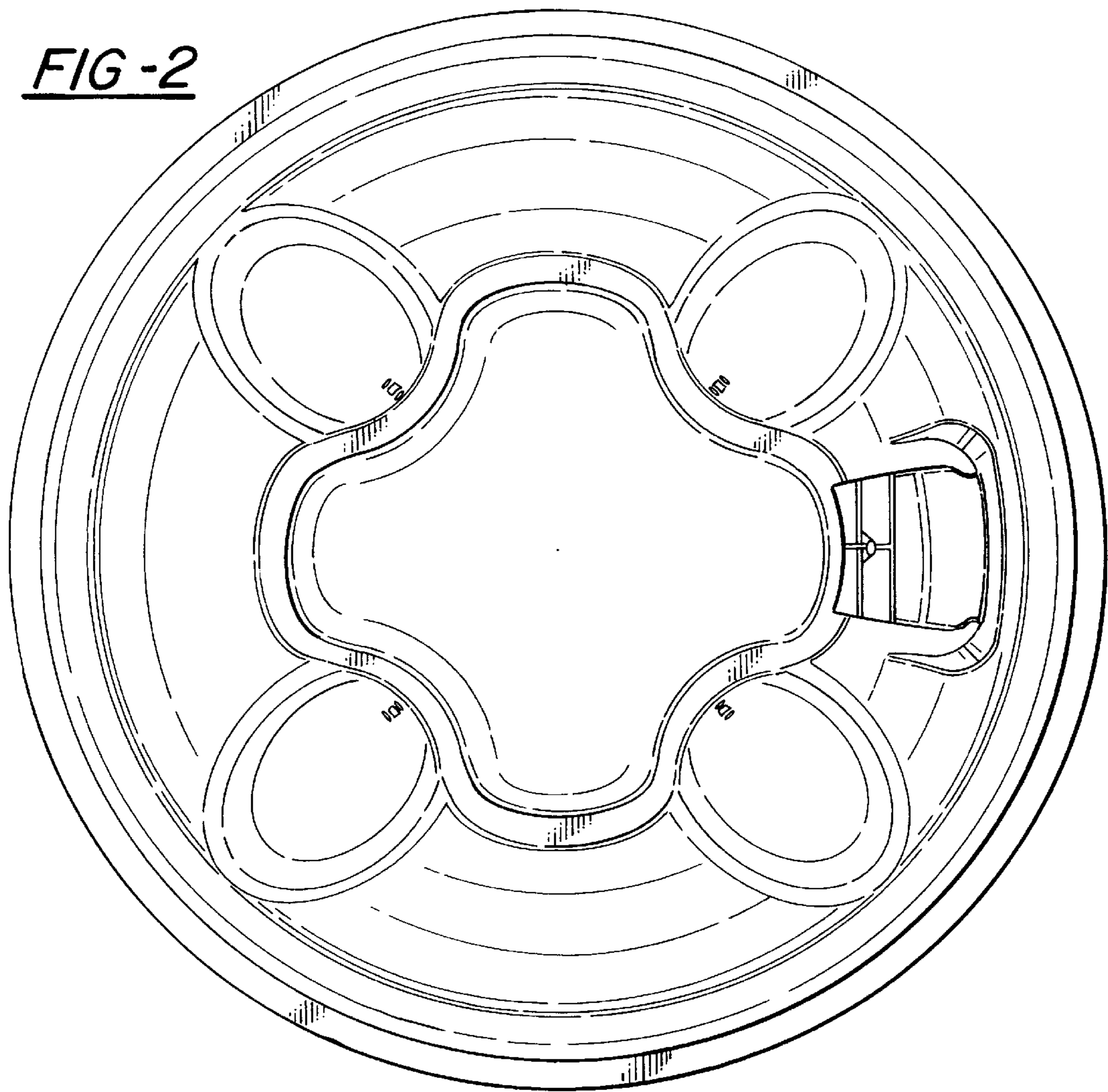


FIG -2



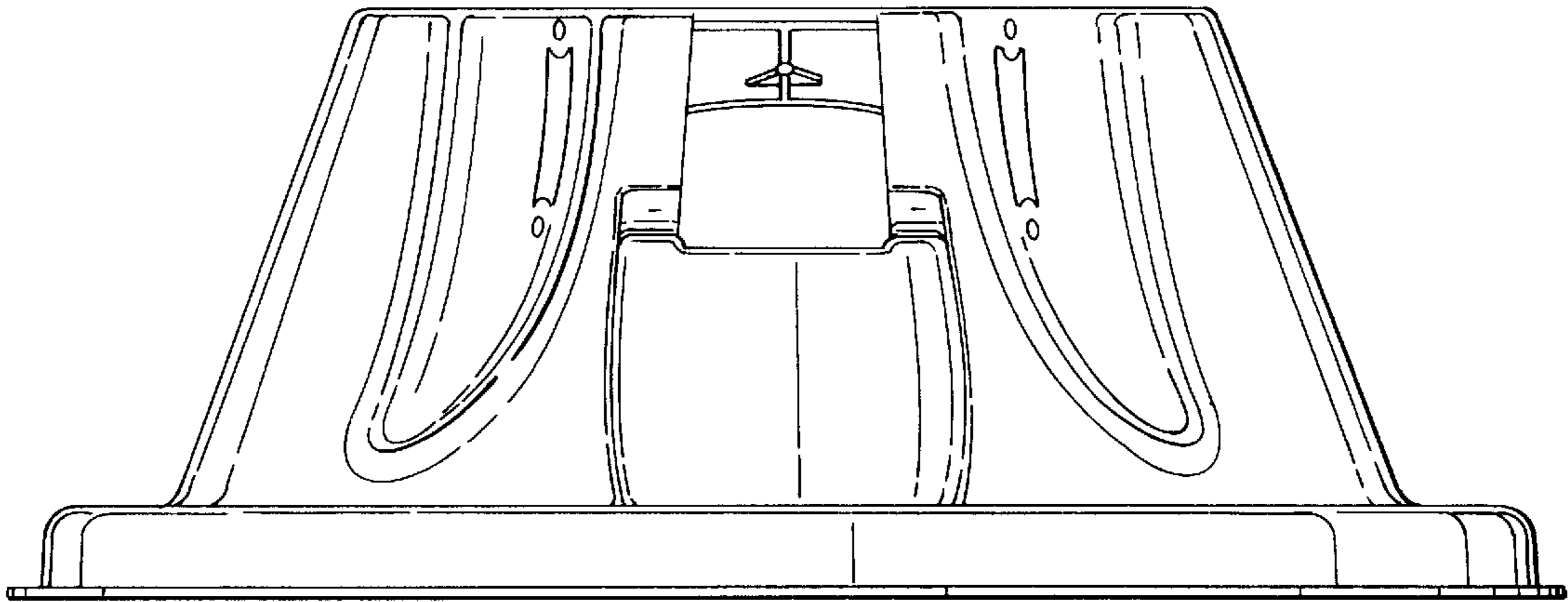


FIG-3

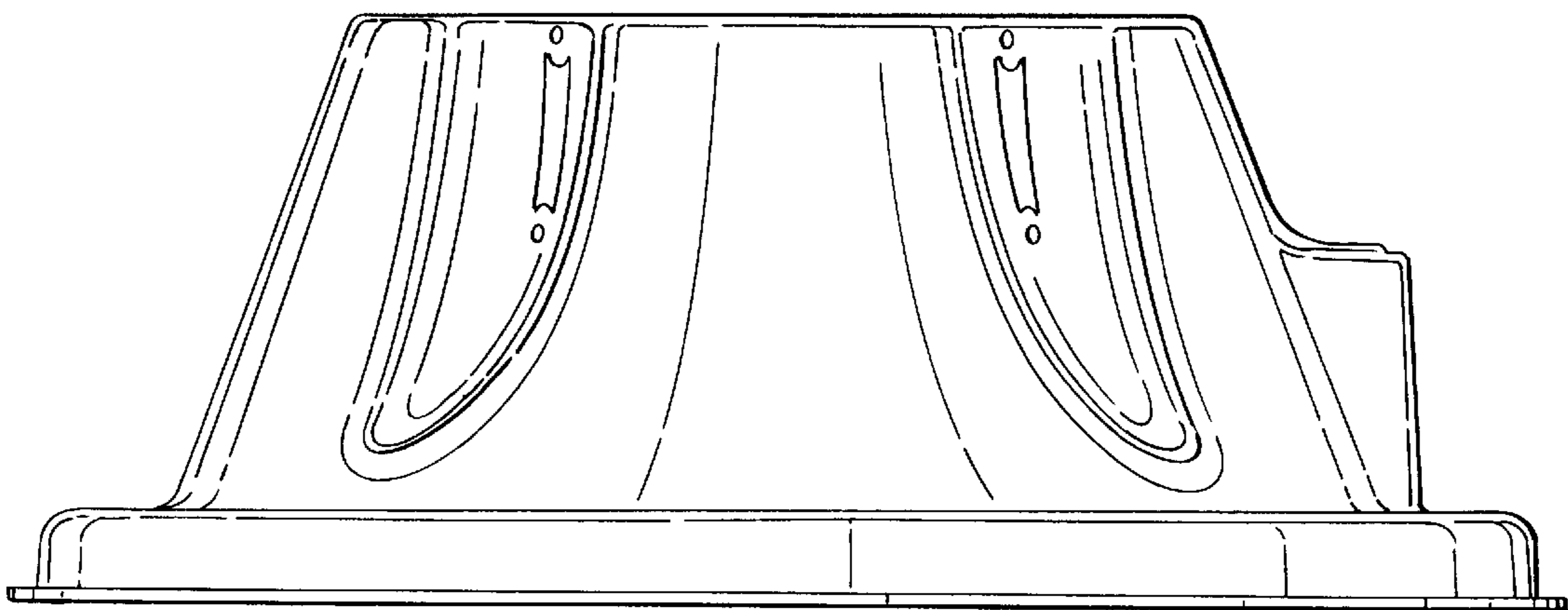


FIG-4

FIG - 5

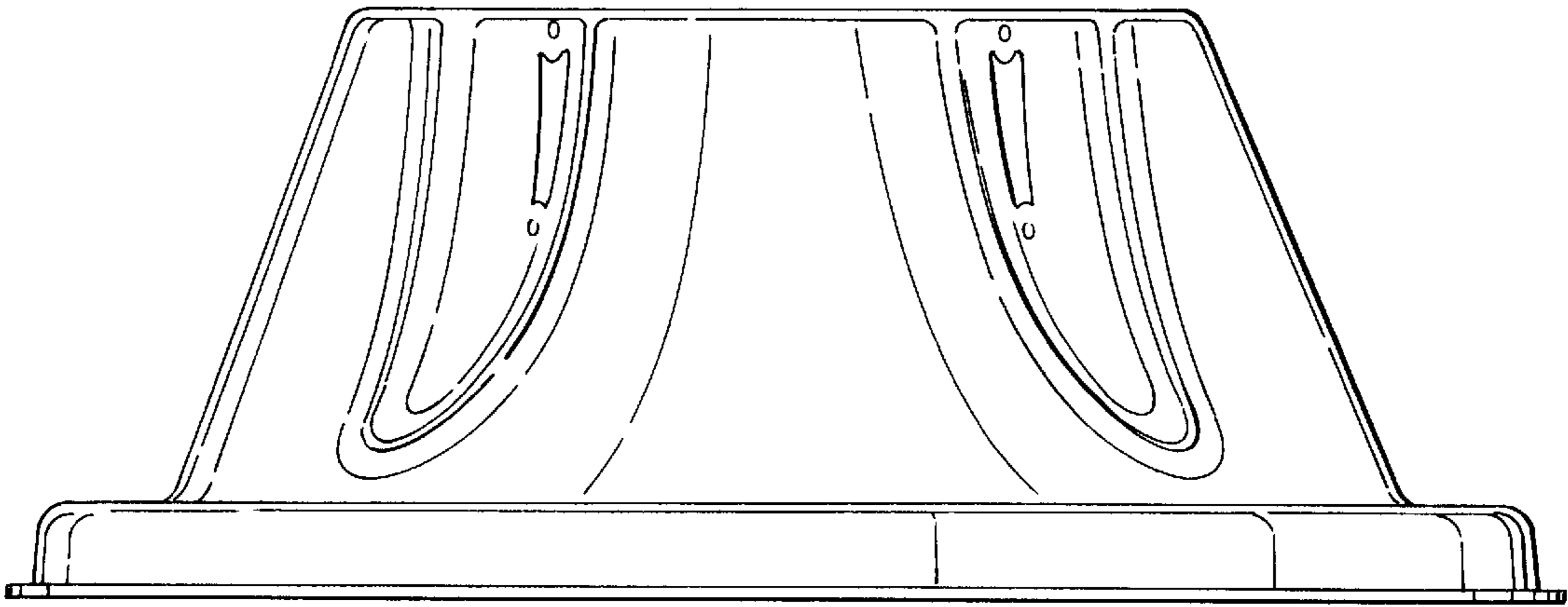


FIG - 6

