



US00D443221S

(12) **United States Design Patent**  
**Jacob et al.**

(10) **Patent No.:** **US D443,221 S**

(45) **Date of Patent:** **\*\* Jun. 5, 2001**

(54) **WATCH STRAP**

(75) Inventors: **Jerry Jacob; Vic Yerby**, both of Malibu; **Roman Spandrio**, Camarillo; **Vinnie Javellana**, Pasadena, all of CA (US)

(73) Assignee: **Sunburst Products, Inc.**, Camarillo, CA (US)

(\*\*) Term: **14 Years**

(21) Appl. No.: **29/127,486**

(22) Filed: **Aug. 4, 2000**

(51) **LOC (7) Cl.** ..... **11-01**

(52) **U.S. Cl.** ..... **D11/3**

(58) **Field of Search** ..... D11/1-8, 11-25, D11/93-94; 59/78, 80, 82-84; D10/32; 63/1.1, 2, 3, 4, 5.1, 11

(56) **References Cited**

**U.S. PATENT DOCUMENTS**

D. 387,692 \* 12/1997 Hanagata ..... D11/3

D. 407,342 \* 3/1999 Ishizaka ..... D11/3

D. 409,941 \* 5/1999 Spadrio et al. .... D11/3

D. 410,406 \* 6/1999 Iwamoto et al. .... D11/3

\* cited by examiner

*Primary Examiner*—Ralf Seifert

(74) *Attorney, Agent, or Firm*—Norton R. Townsley; The Soni Law Firm

(57) **CLAIM**

We claim the ornamental design for a watch strap, as shown and described.

**DESCRIPTION**

FIG. 1 is a perspective view of our watch strap;

FIG. 2 is a top view thereof;

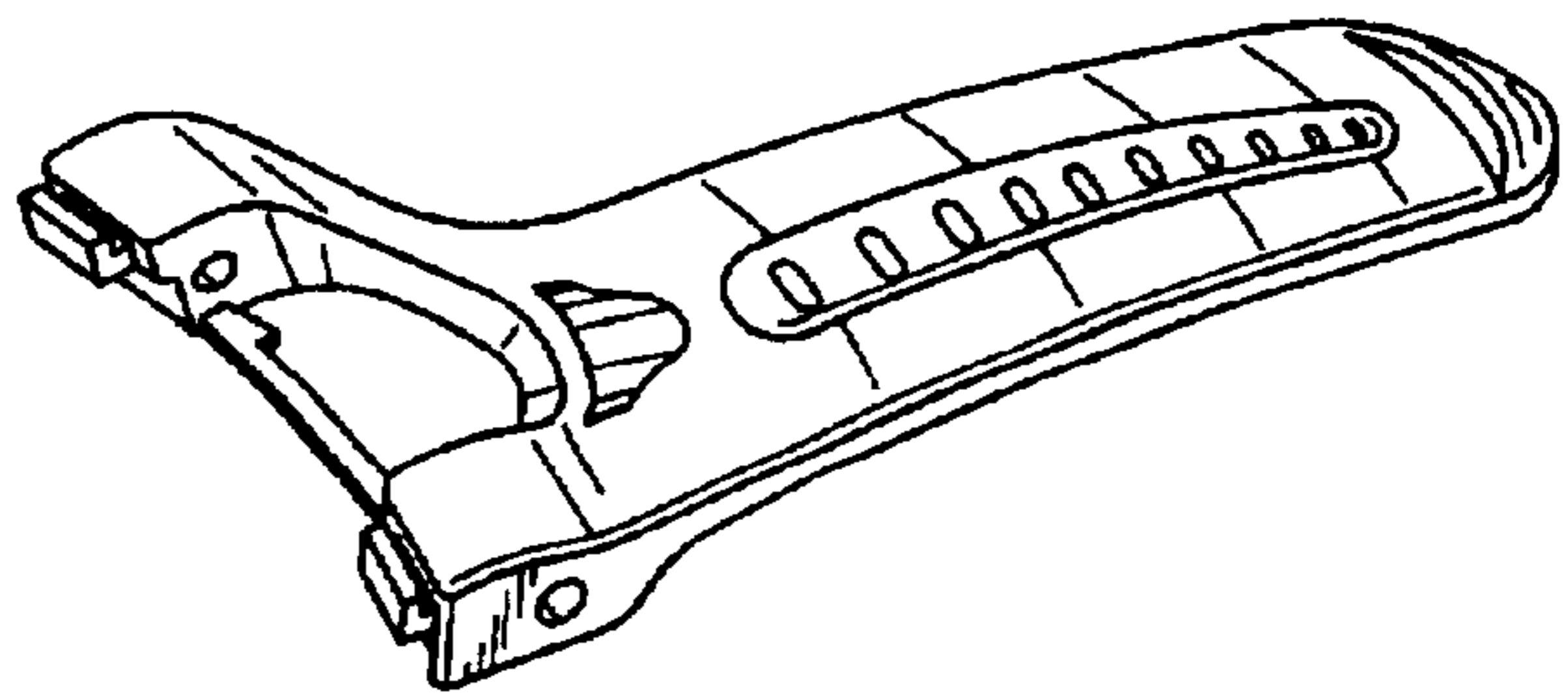
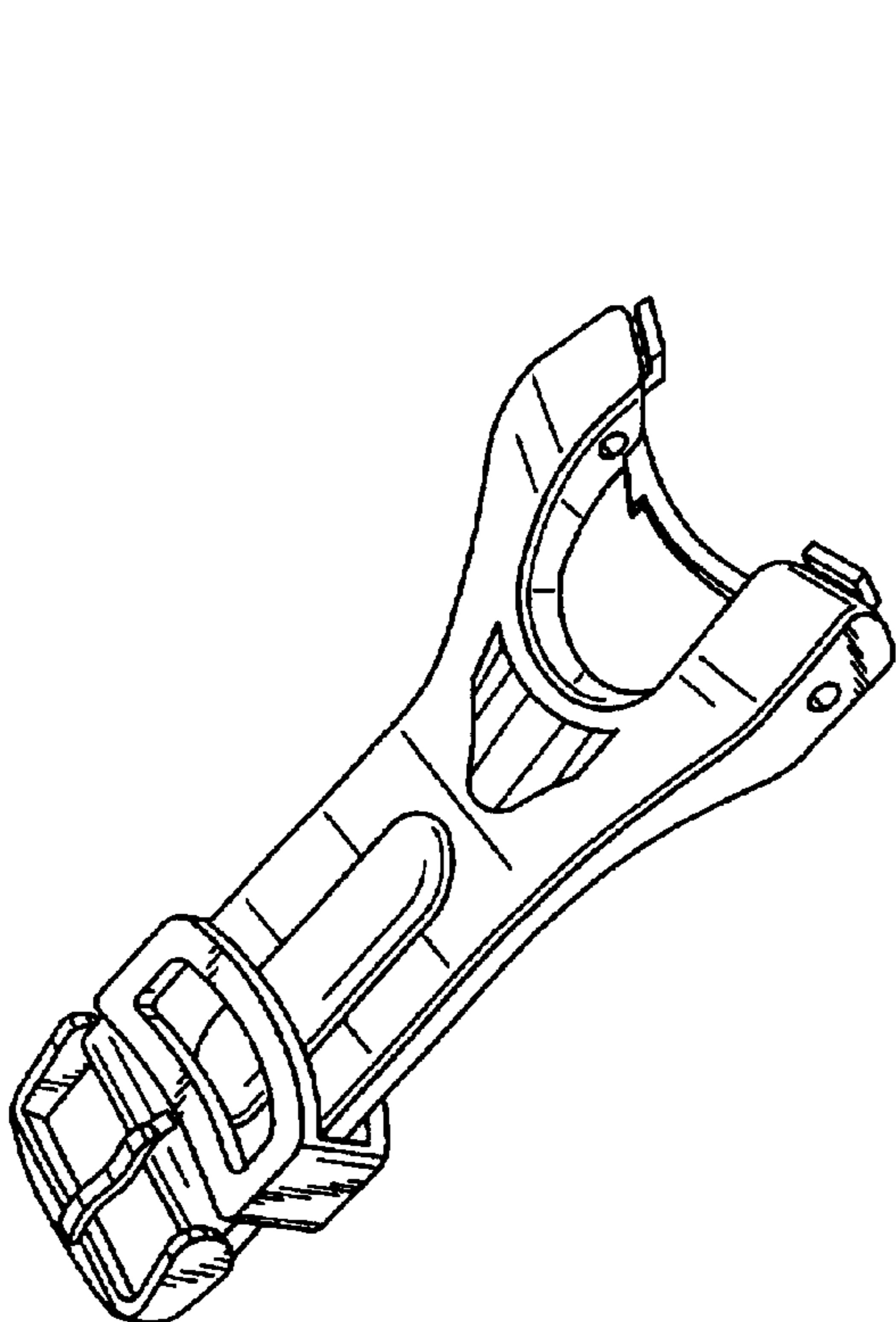
FIG. 3 is a side elevational view thereof;

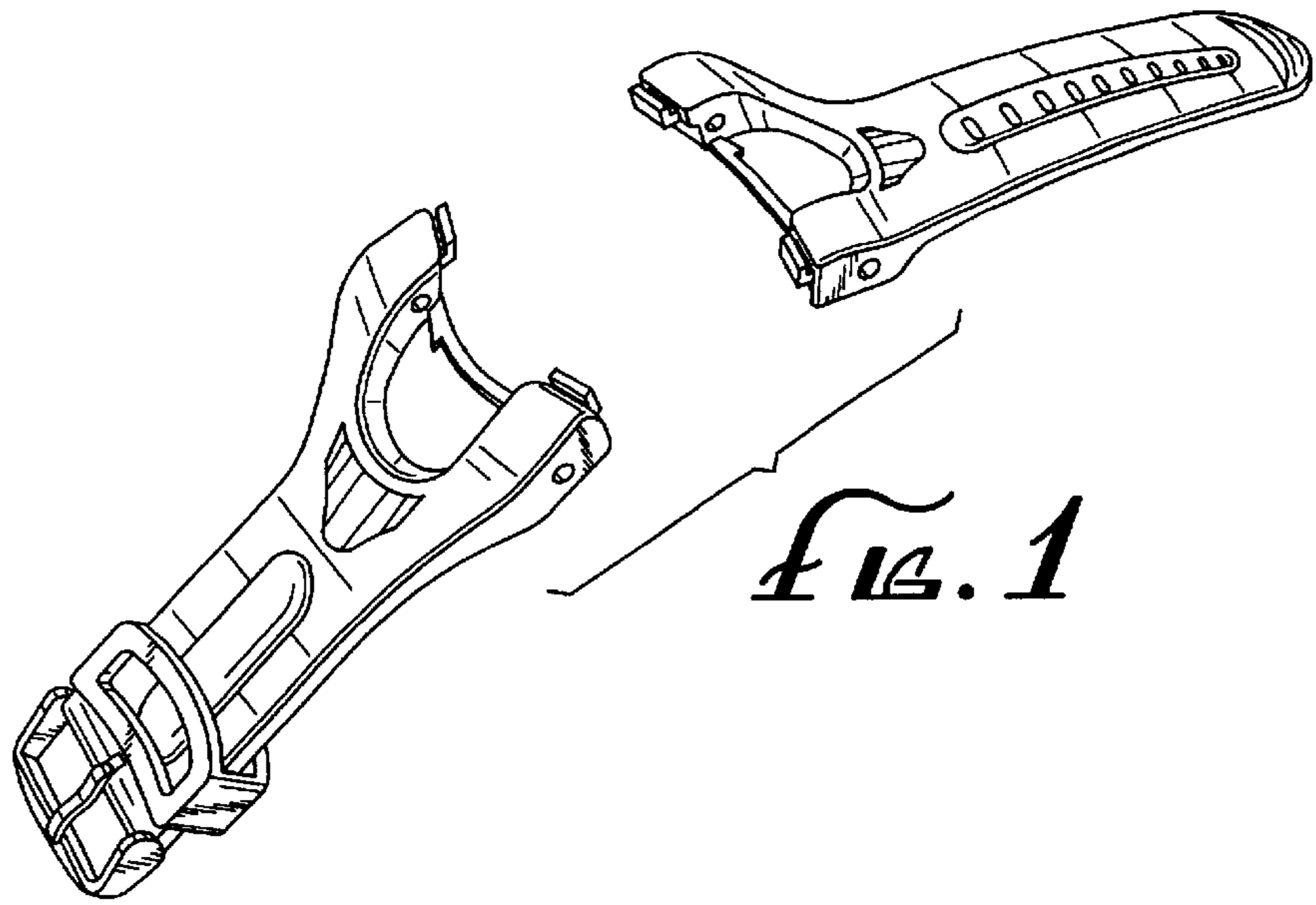
FIG. 4 is a view from the direction of the arrows 4—4 on FIG. 3;

FIG. 5 is a view from the direction of the arrows 5—5 on FIG. 3; and,

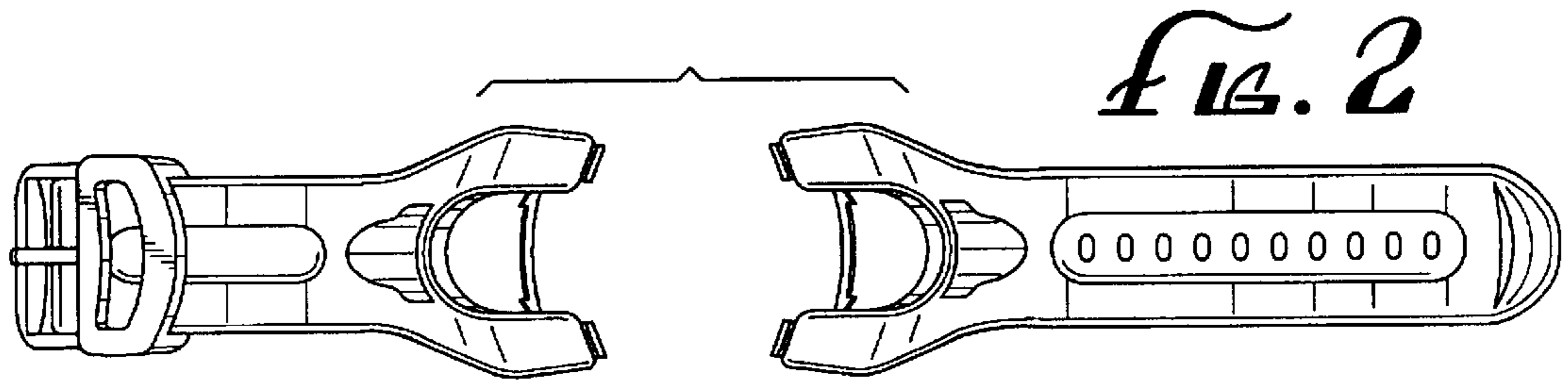
FIG. 6 is a bottom view thereof.

**1 Claim, 2 Drawing Sheets**

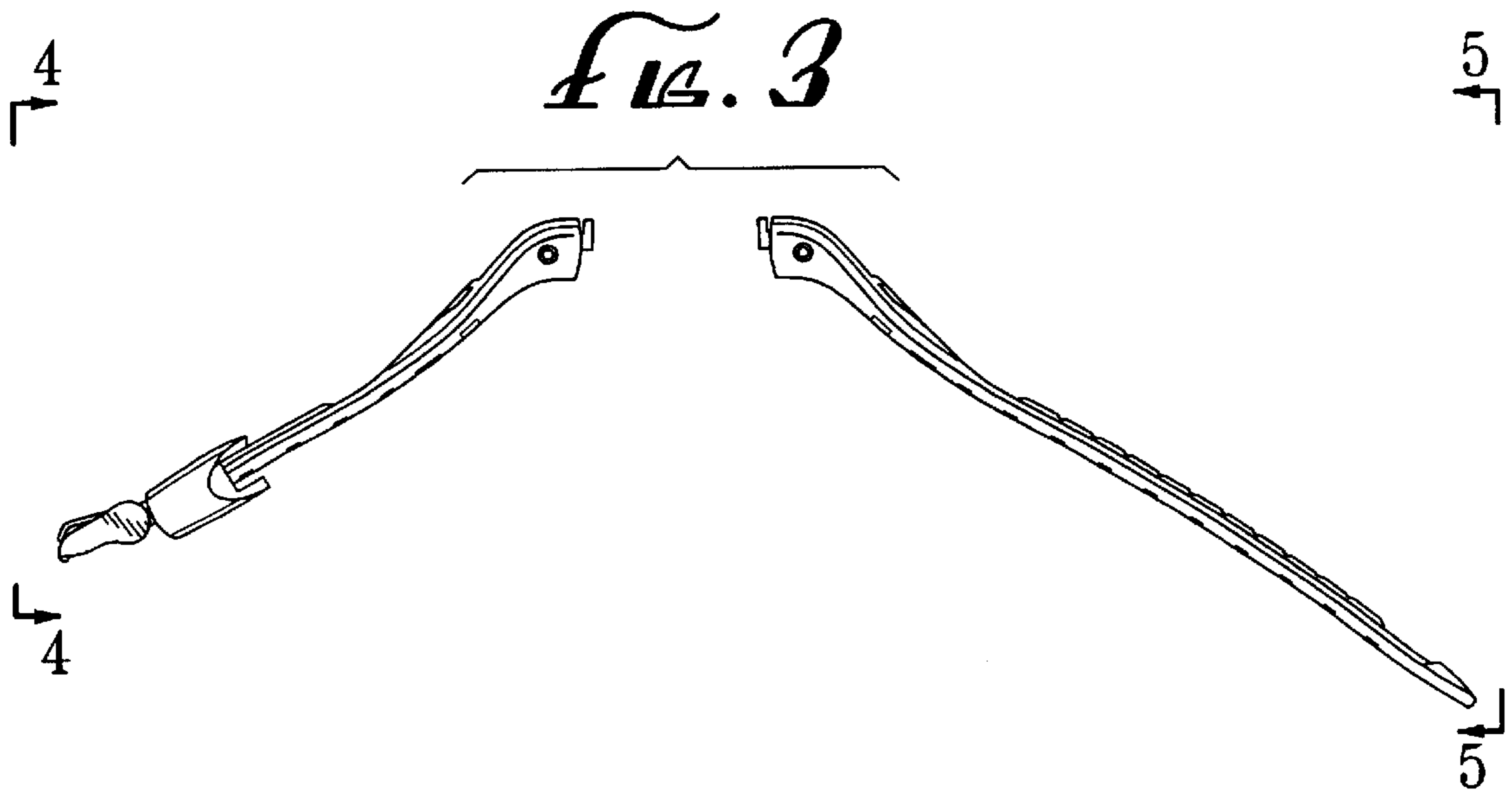




*Fig. 1*



*Fig. 2*



*Fig. 3*

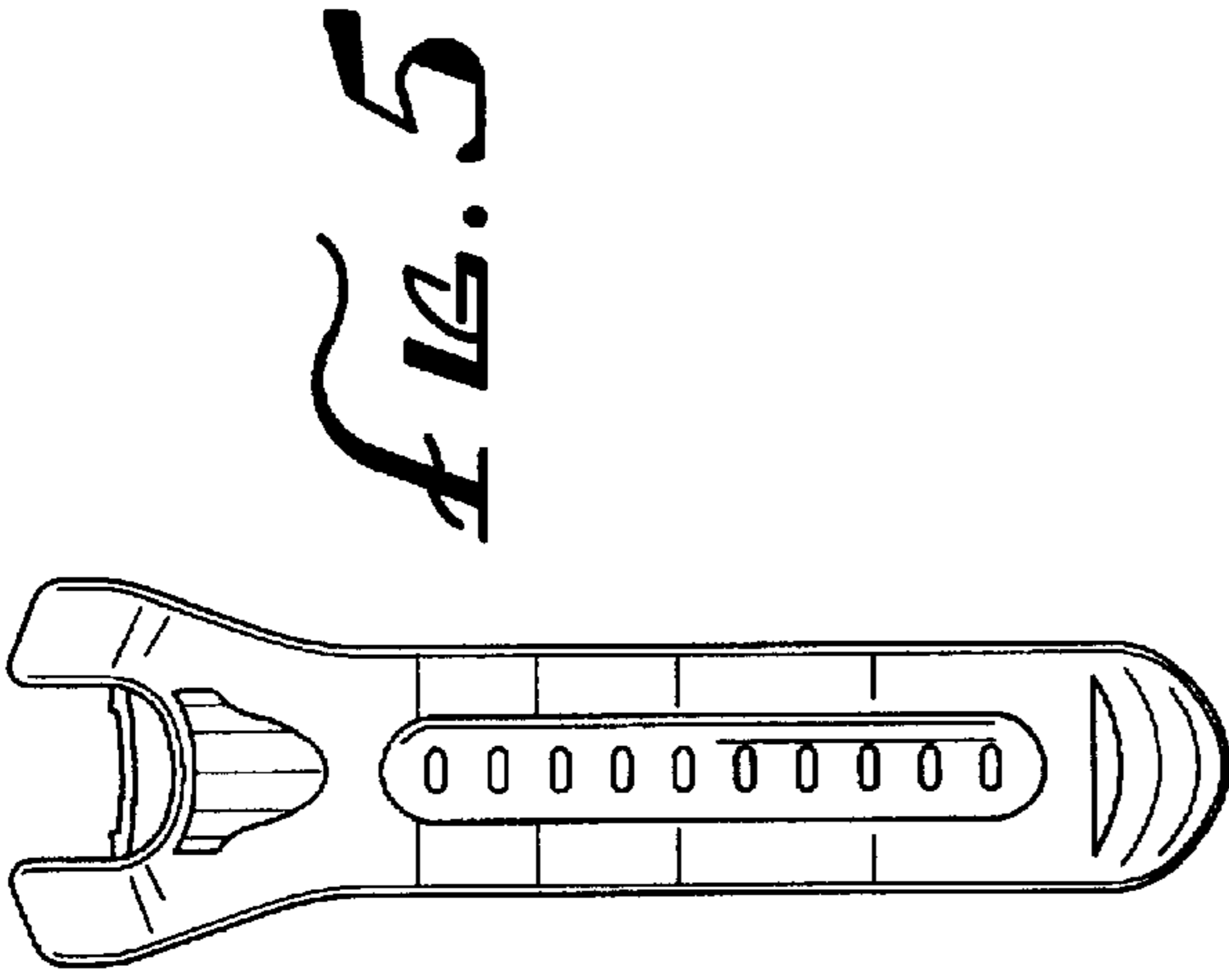


FIG. 5

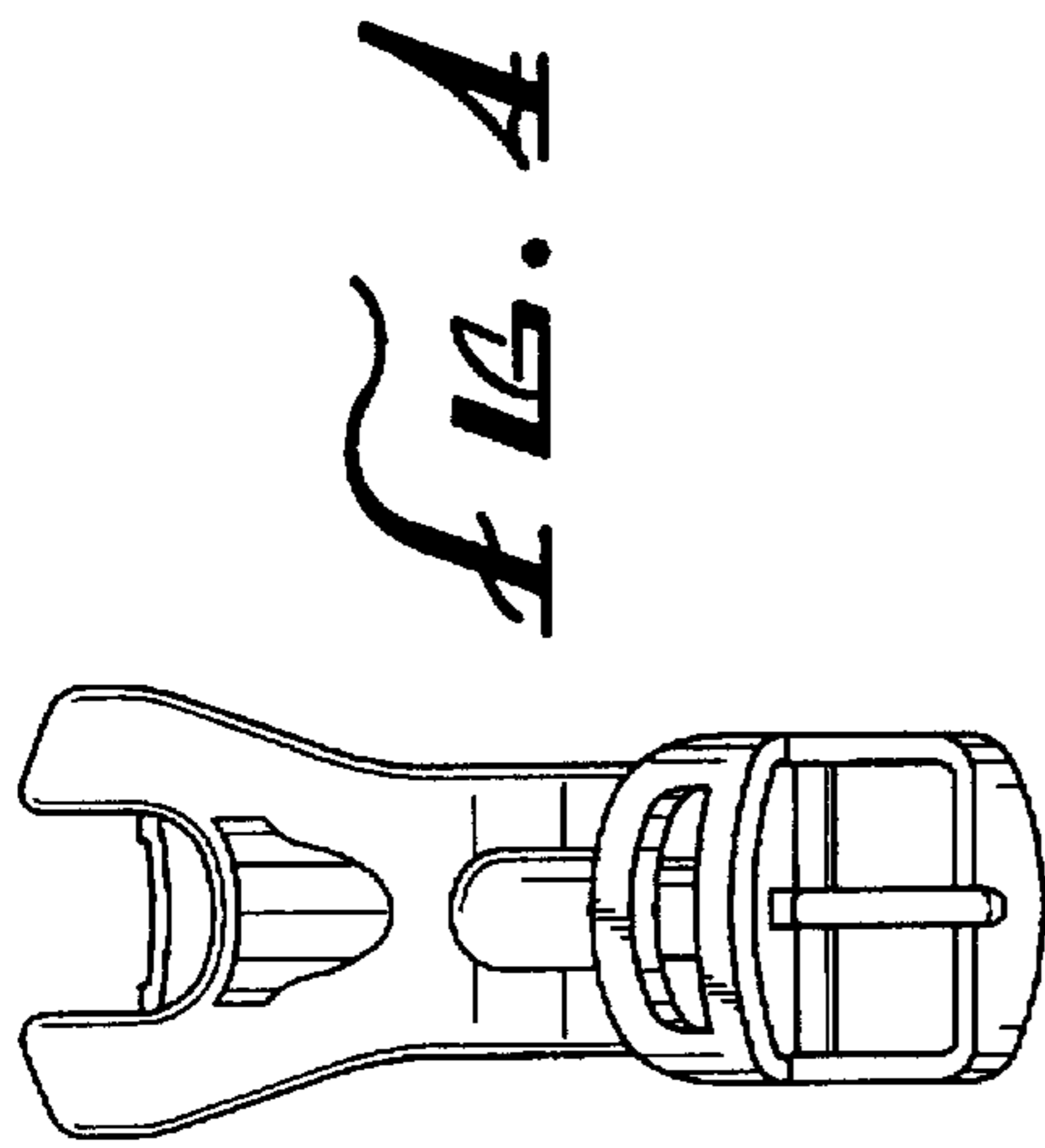


FIG. 4

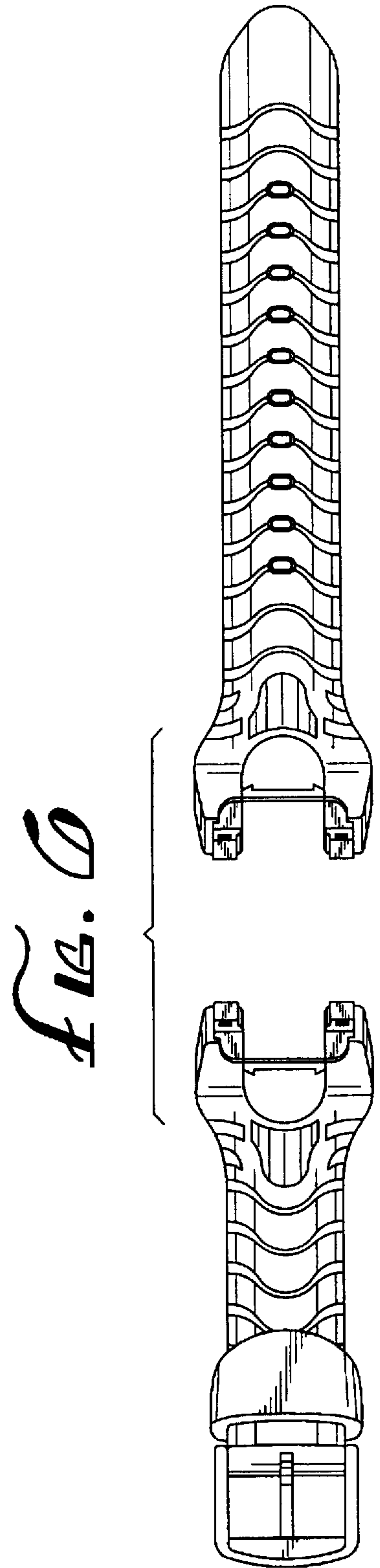


FIG. 6