



US00D443220S

(12) **United States Design Patent**
Robinette

(10) **Patent No.:** **US D443,220 S**

(45) **Date of Patent:** **** Jun. 5, 2001**

(54) **PORTION OF A WATCH**

(75) **Inventor:** **Christopher A. Robinette**, Lake Oswego, OR (US)

(73) **Assignee:** **Nike, Inc.**, Beaverton, OR (US)

(**) **Term:** **14 Years**

(21) **Appl. No.:** **29/133,255**

(22) **Filed:** **Nov. 28, 2000**

(51) **LOC (7) Cl.** **10-02**

(52) **U.S. Cl.** **D10/128**

(58) **Field of Search** D10/1-40, 122-132;
368/280-282, 276-277, 28-30, 285, 239-242,
82-84, 41-44, 294-295

(56) **References Cited**

U.S. PATENT DOCUMENTS

D. 215,112	*	9/1969	Meylan	D10/38
D. 269,546		6/1983	Rogers et al.	.	
D. 317,577		6/1991	Eiss	.	
D. 324,340		3/1992	Houlihan	.	
D. 324,341		3/1992	Houlihan	.	
D. 330,166		10/1992	Park	.	
D. 333,987		3/1993	Sugibayshi	.	
D. 383,396	*	9/1997	Houlihan	D10/30
D. 394,391	*	5/1998	Bruce et al.	D10/30
D. 394,392		5/1998	Bruce et al.	.	
D. 394,394	*	5/1998	Bruce et al.	D10/30
D. 394,395	*	5/1998	Bruce et al.	D10/30
D. 415,433	*	10/1999	Riley et al.	D10/30
D. 415,708	*	10/1999	Yanku	D10/128

FOREIGN PATENT DOCUMENTS

196015 5/1938 (CH) .
247762 12/1947 (CH) .
62-239081 10/1987 (JP) .

OTHER PUBLICATIONS

Nike Spring 1998 Timing Catalog, p. 6, published Jul. 1997.

* cited by examiner

Primary Examiner—Nelson C. Holtje

(74) *Attorney, Agent, or Firm*—Banner & Witcoff, Ltd.

(57) **CLAIM**

The ornamental design for a portion of a watch, as shown and described.

DESCRIPTION

FIG. 1 is a top plan view of a portion of a watch showing my new design;

FIG. 2 is a side elevational view of one side thereof;

FIG. 3 is a side elevational view of another side thereof opposite that of FIG. 2;

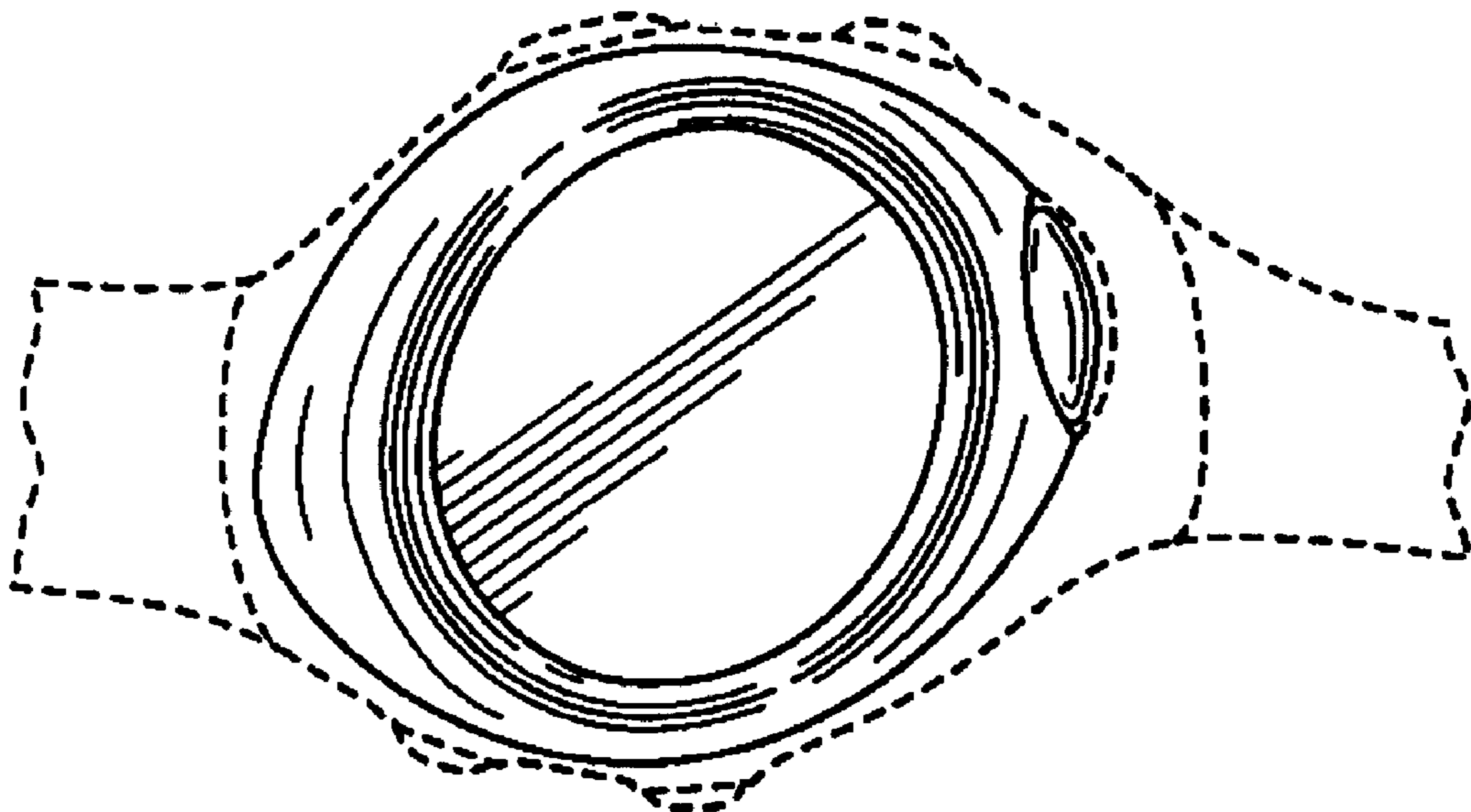
FIG. 4 is an end elevational view of one end thereof;

FIG. 5 is an end elevational view of another end thereof opposite that of FIG. 4; and,

FIG. 6 is a perspective view thereof.

The broken line showing of the remainder of the watch including the bottom and the band is for illustrative purposes only and forms no part of the claimed design.

1 Claim, 2 Drawing Sheets



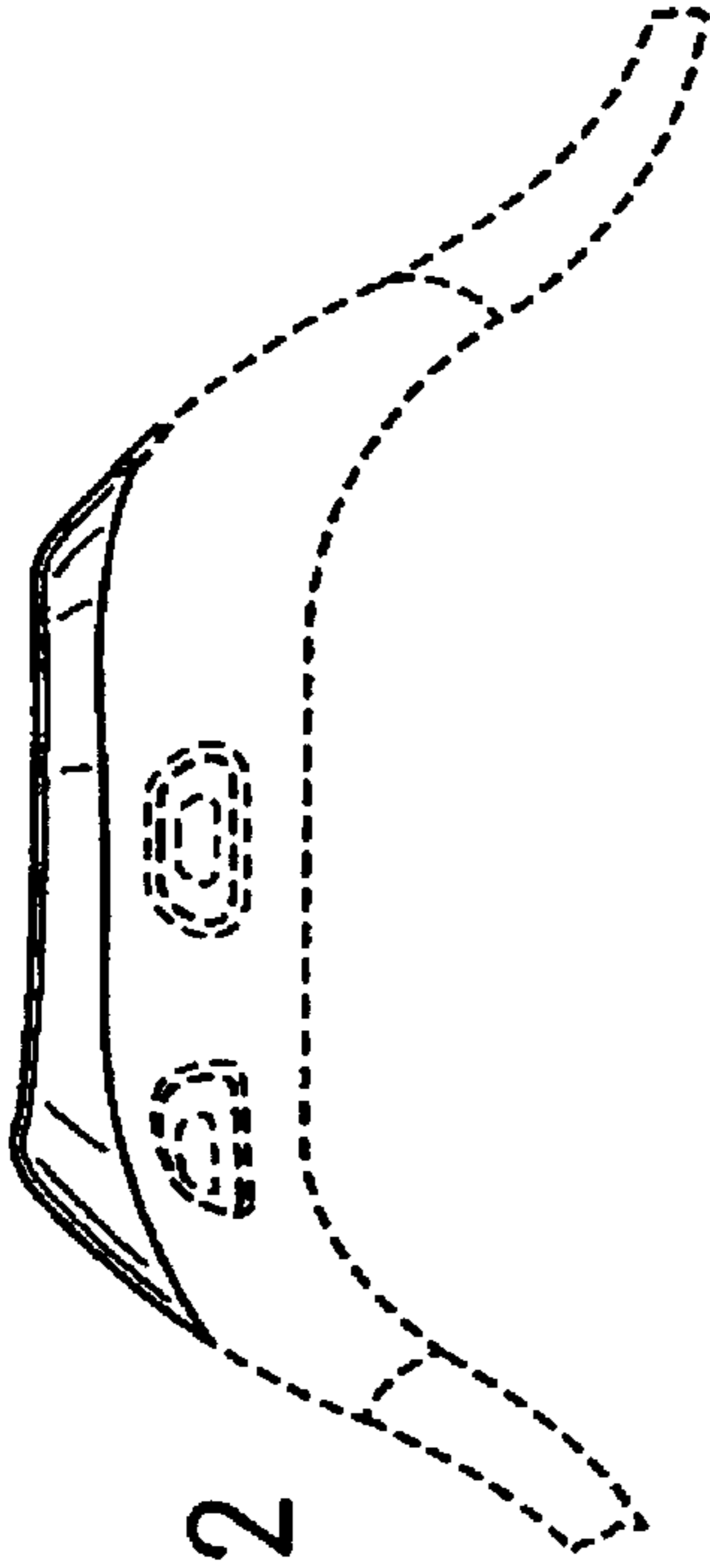


FIG. 2

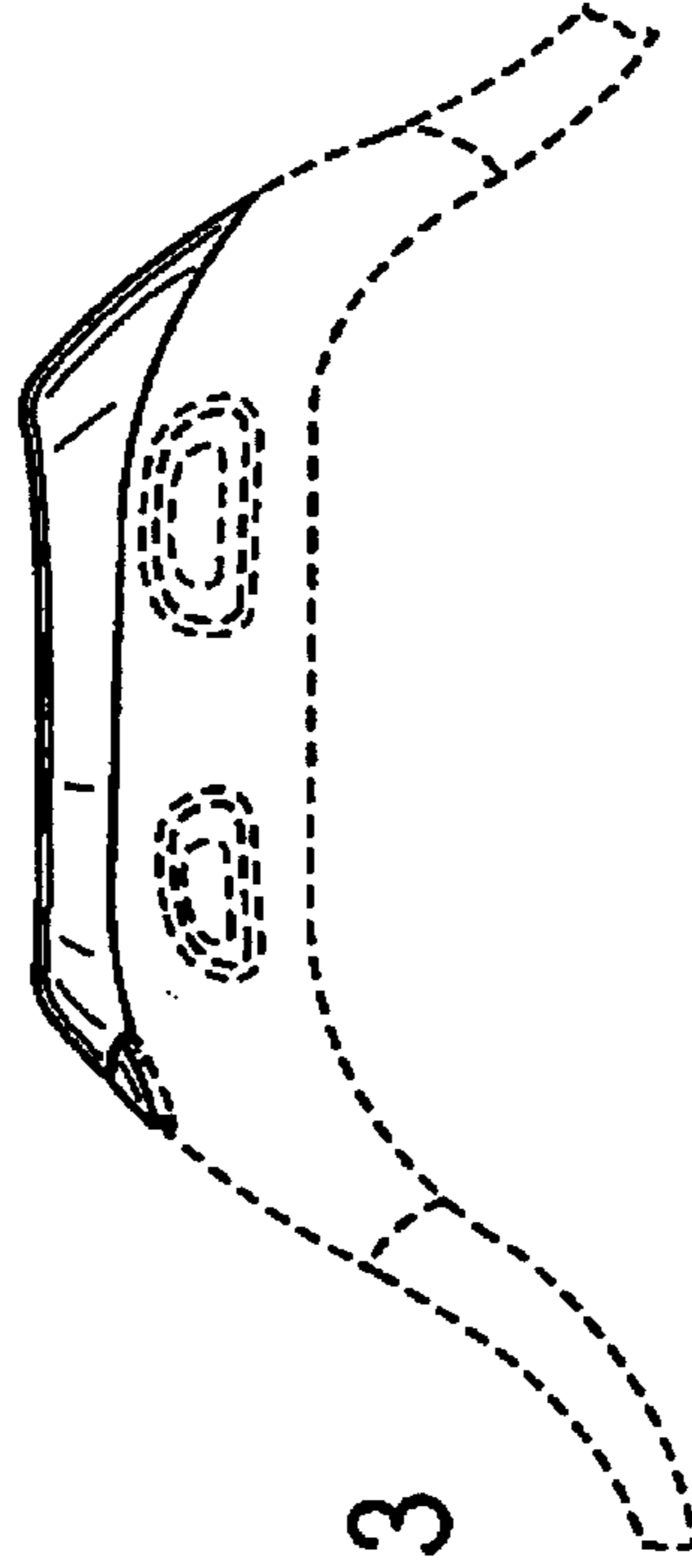


FIG. 3

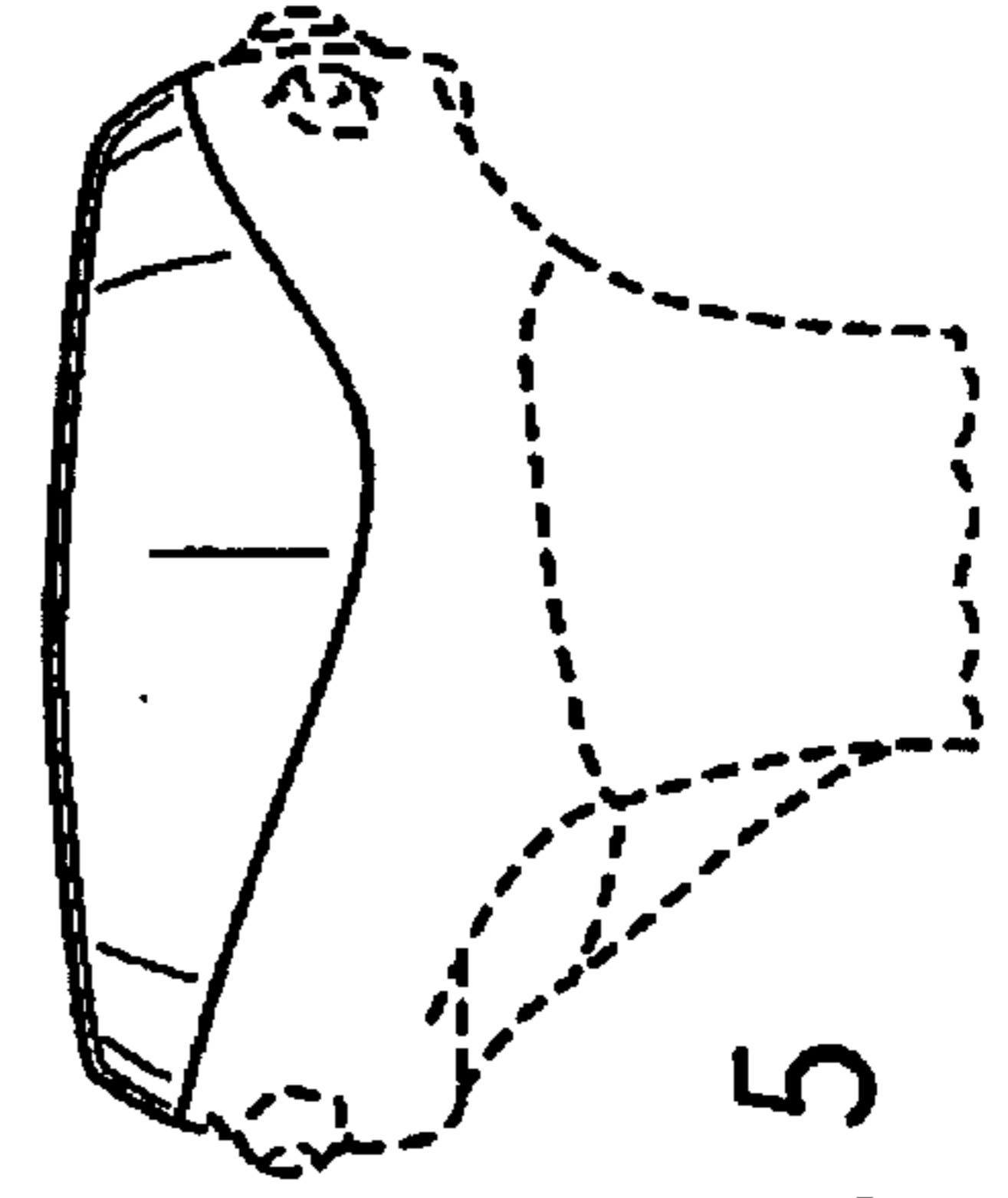


FIG. 4

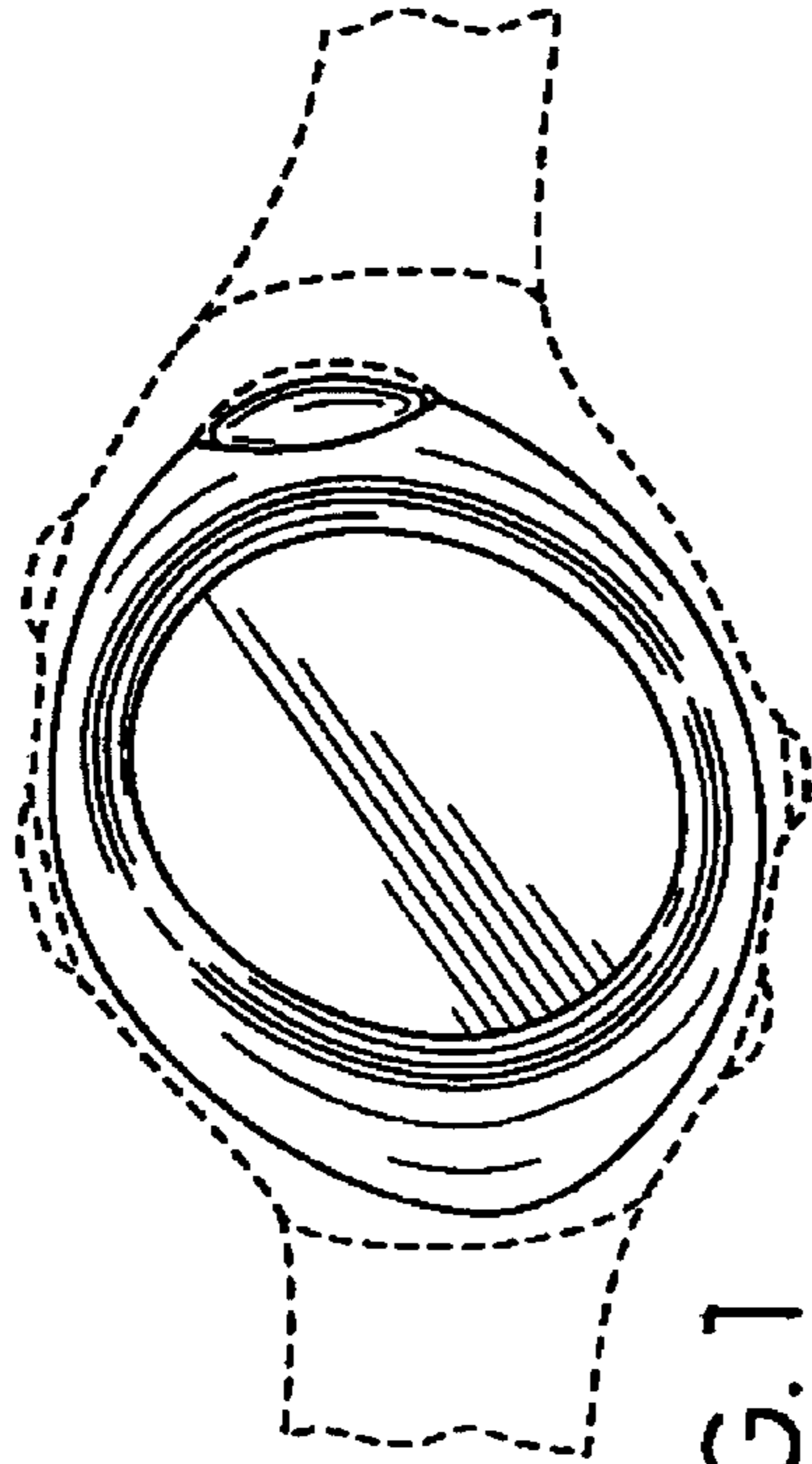


FIG. 5

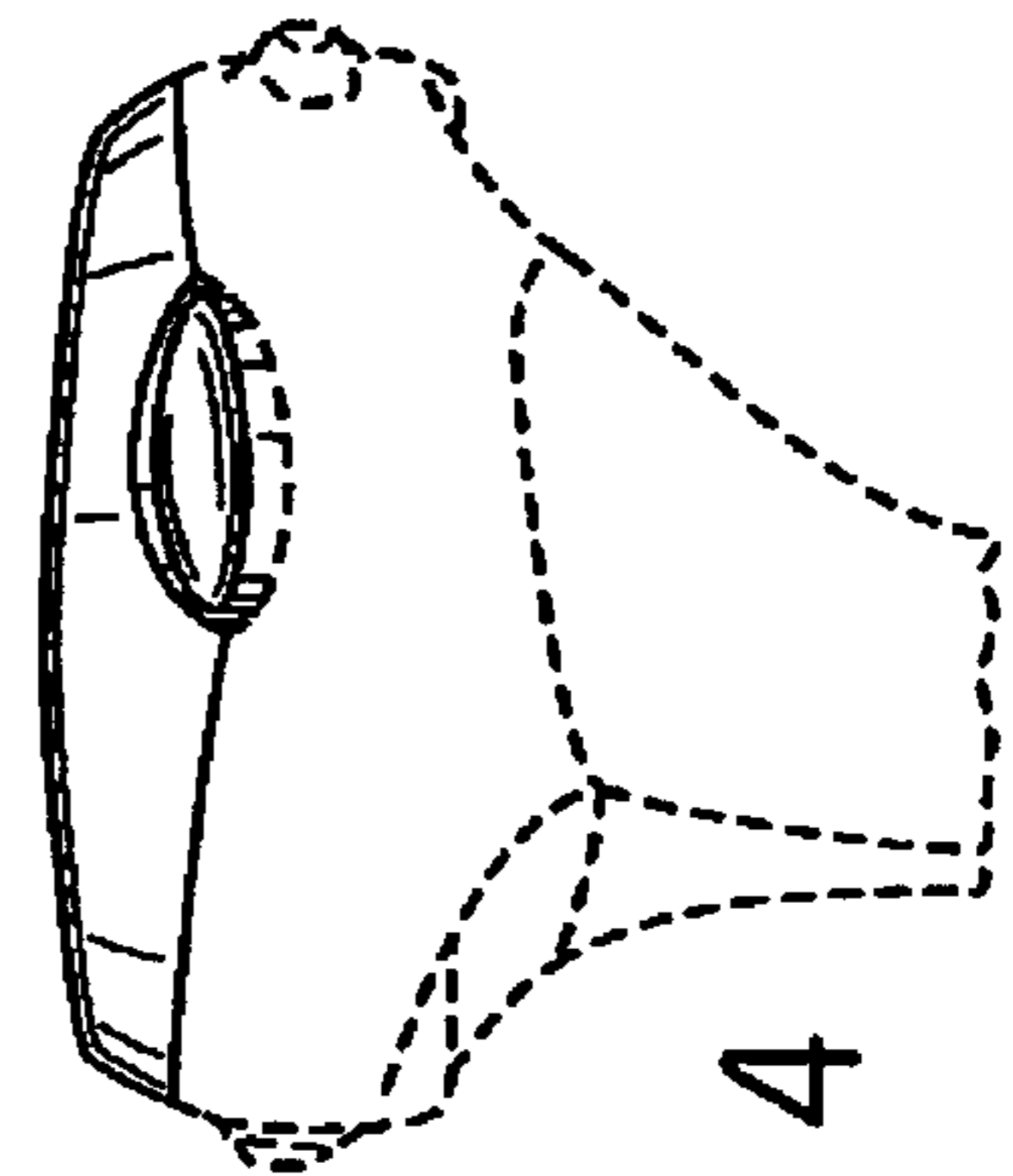


FIG. 6

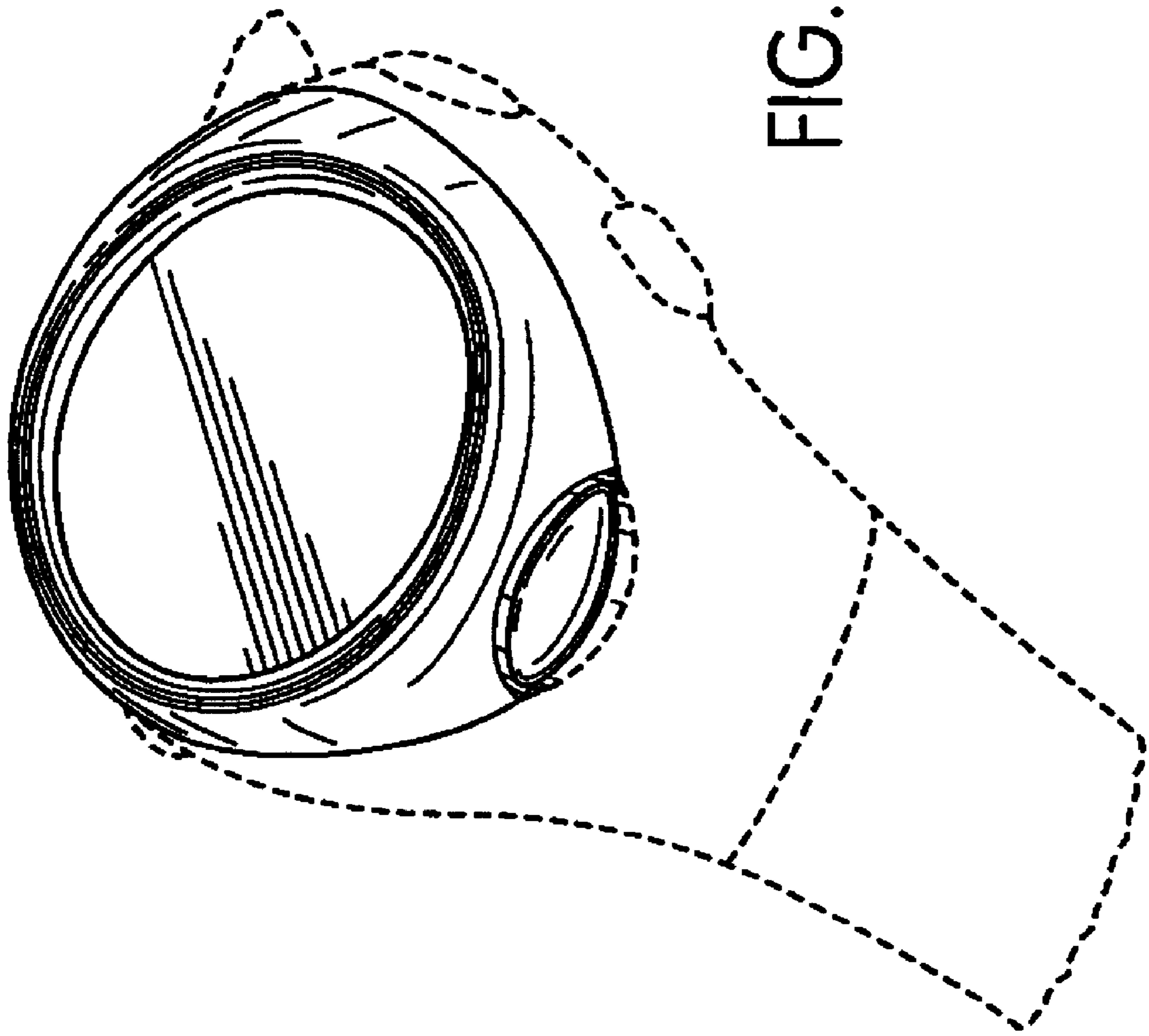


FIG. 6