



US00D443209S

(12) **United States Design Patent**  
**Liao**

(10) **Patent No.:** **US D443,209 S**

(45) **Date of Patent:** **\*\* Jun. 5, 2001**

(54) **MODERN CLOCK**

(76) **Inventor:** **Steven Liao**, Room No. 6G14, No. 5,  
Hsinyi Rd., Sec. 5, Taipei (TW)

(\*\*) **Term:** **14 Years**

(21) **Appl. No.:** **29/129,789**

(22) **Filed:** **Sep. 22, 2000**

(51) **LOC (7) Cl.** ..... **10-01**

(52) **U.S. Cl.** ..... **D10/23**

(58) **Field of Search** ..... D10/1-40, 122-132;  
368/10, 37, 220, 276, 277, 294, 285, 316-317

(56) **References Cited**

**U.S. PATENT DOCUMENTS**

D. 41,725	*	8/1911	Kern	.....	D10/19
D. 91,086	*	11/1933	Rainbault	.....	D10/1
D. 101,070	*	9/1936	Schwenker	.....	D10/23
D. 114,262	*	4/1939	Dreyfuss	.....	D10/23
D. 236,591	*	9/1975	Daher	.....	D10/23
D. 257,129	*	9/1980	Danz	.....	D10/23
D. 270,523	*	9/1983	Mox	.....	D10/22
D. 319,022	*	8/1991	Hirota	.....	D10/28

D. 330,517	*	10/1992	Takashima	.....	D10/23
D. 354,233	*	1/1995	Sugano	.....	D10/23
D. 369,750	*	5/1996	Riley	.....	D10/30
2,741,082	*	4/1956	Elberg	.....	368/37
3,452,538	*	7/1969	Frey	.....	368/294

\* cited by examiner

*Primary Examiner*—Jeffrey Asch

(74) *Attorney, Agent, or Firm*—Rosenberg, Klein & Lee

(57) **CLAIM**

The ornamental design for a “modern clock,” as shown and described.

**DESCRIPTION**

FIG. 1 is the perspective view of a “modern clock” showing my new design;

FIG. 2 is the front view thereof;

FIG. 3 is the rear view thereof;

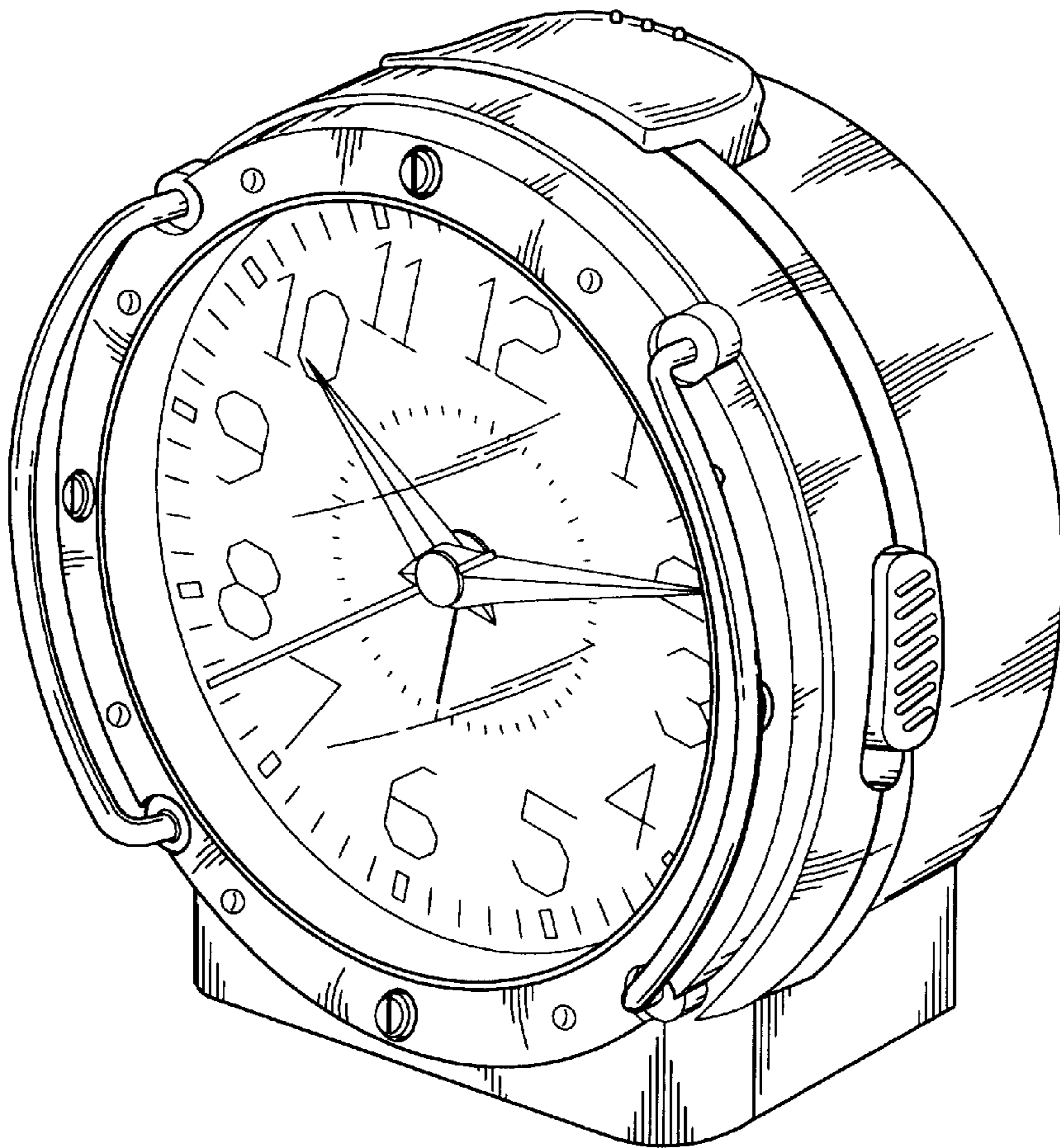
FIG. 4 is the left side view thereof;

FIG. 5 is the right side view thereof;

FIG. 6 is the top view thereof; and,

FIG. 7 is the bottom view thereof.

**1 Claim, 7 Drawing Sheets**



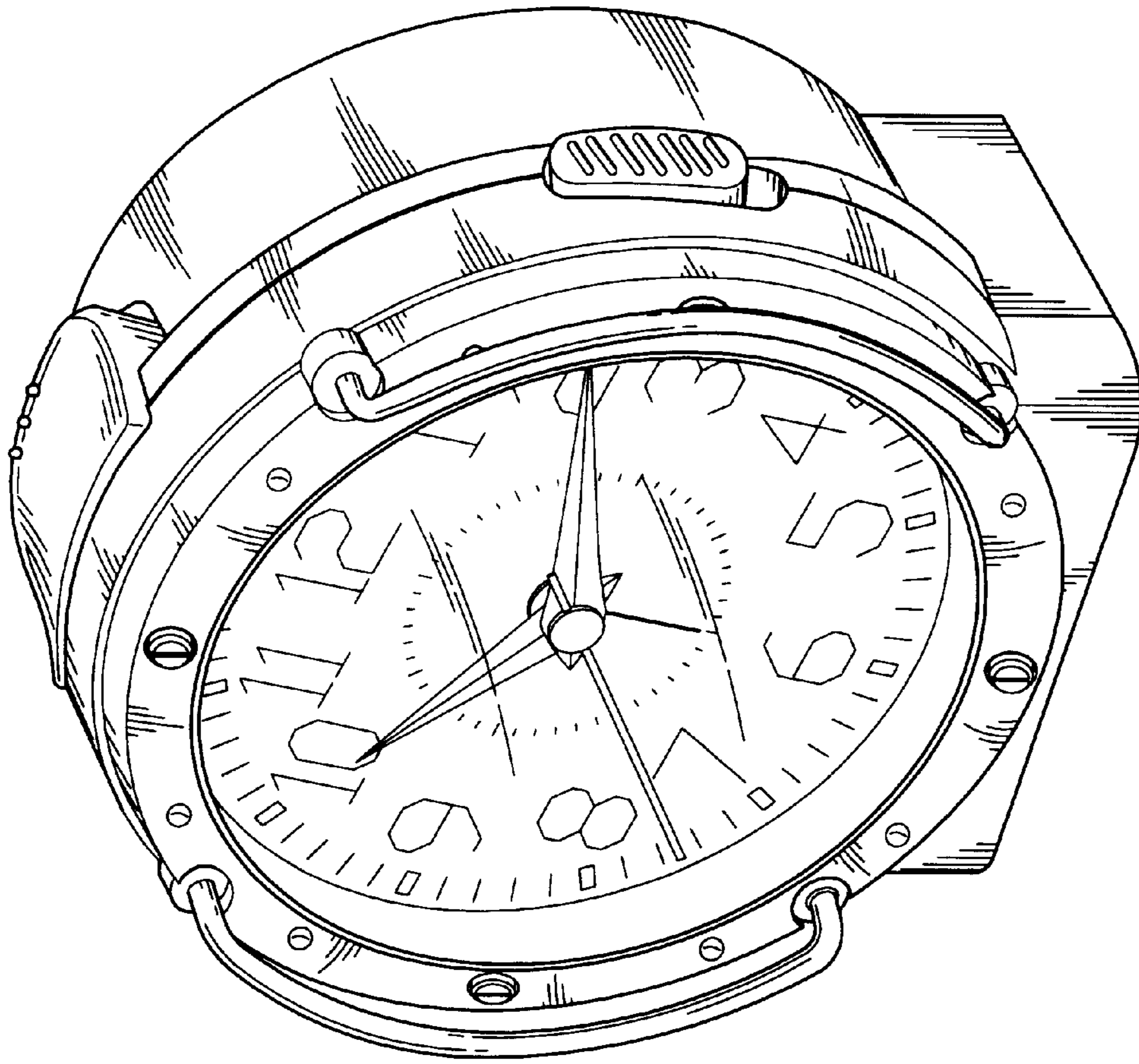


FIG. 1

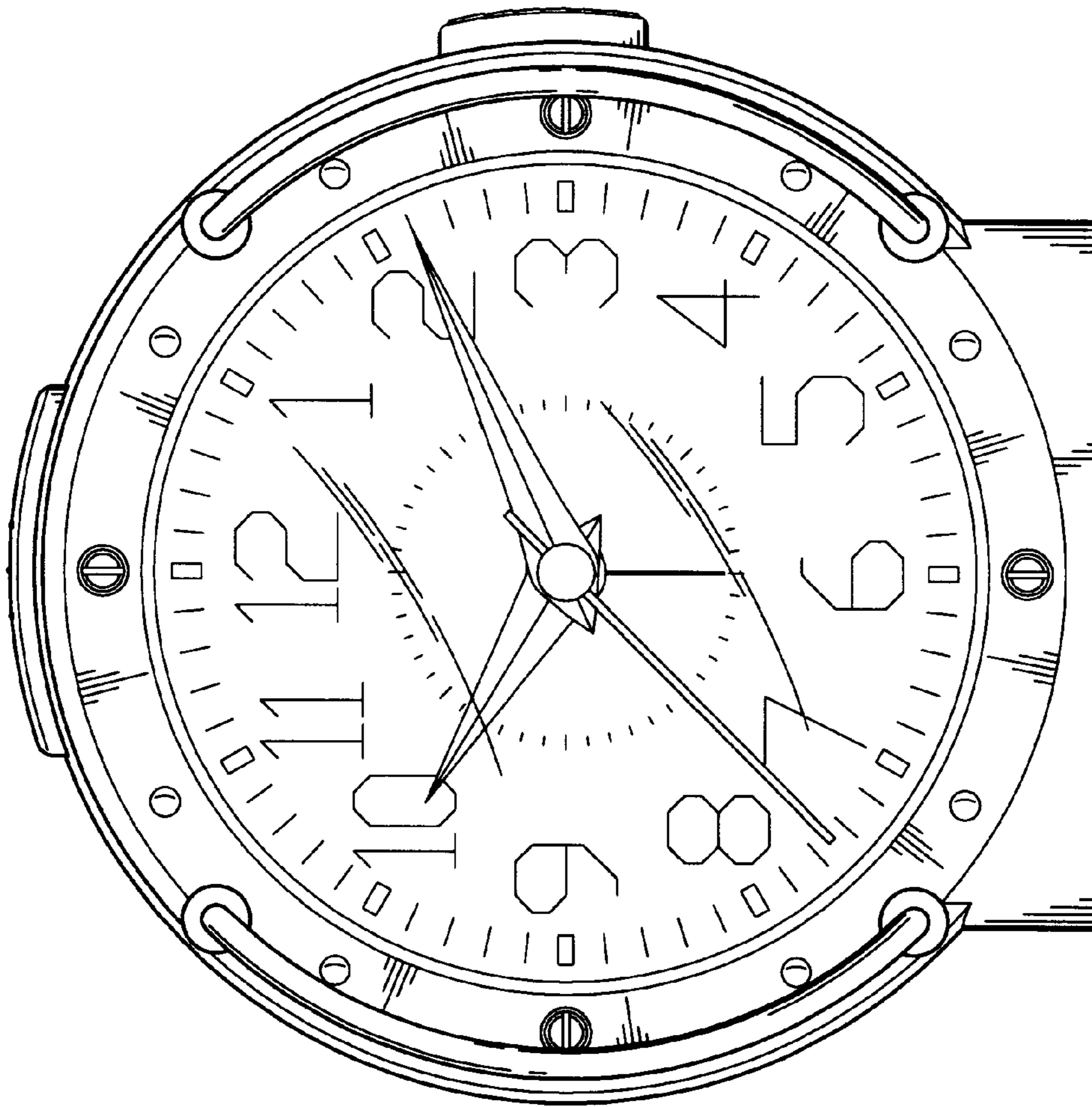


FIG. 2

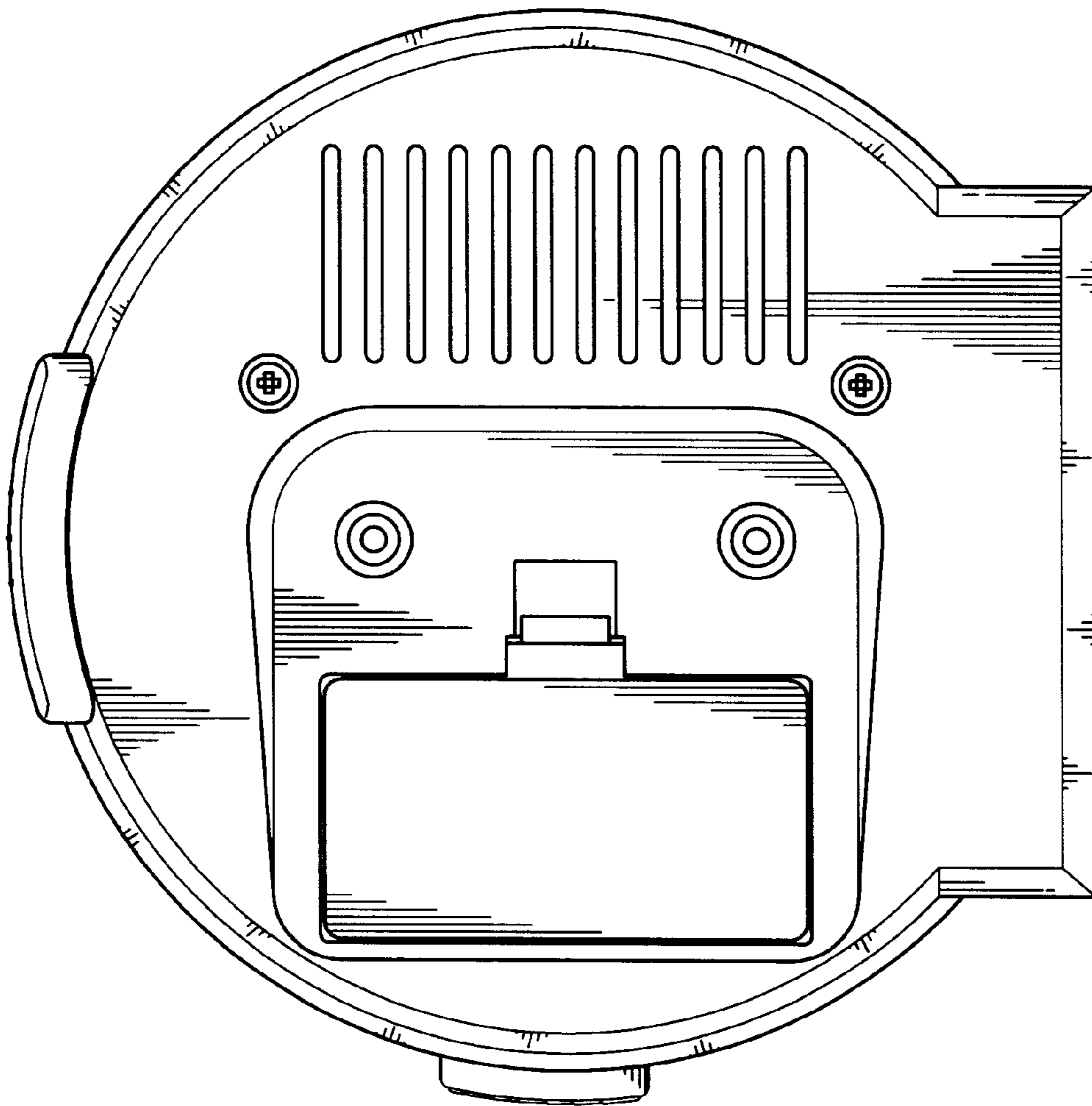


FIG.3

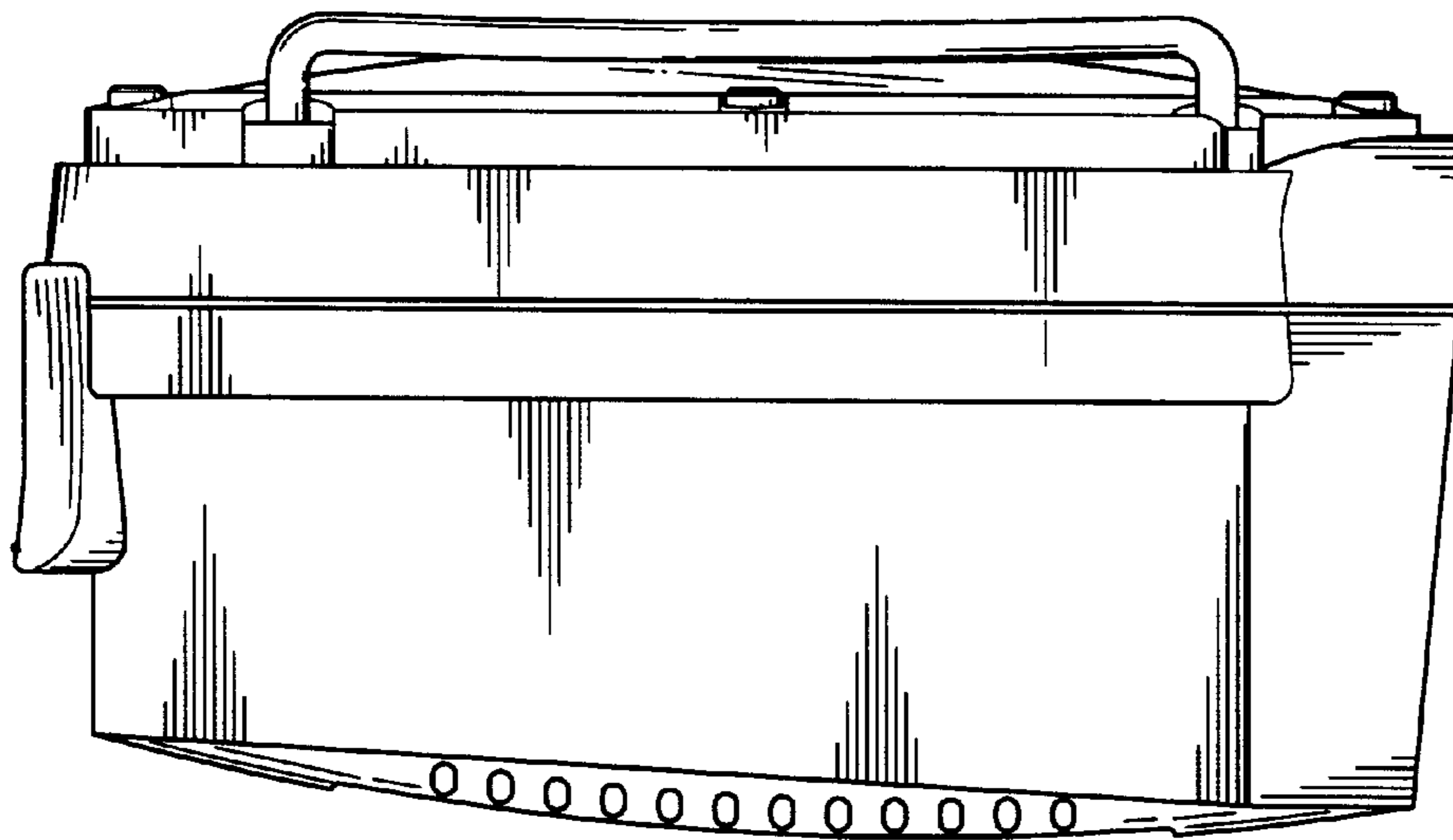


FIG.4

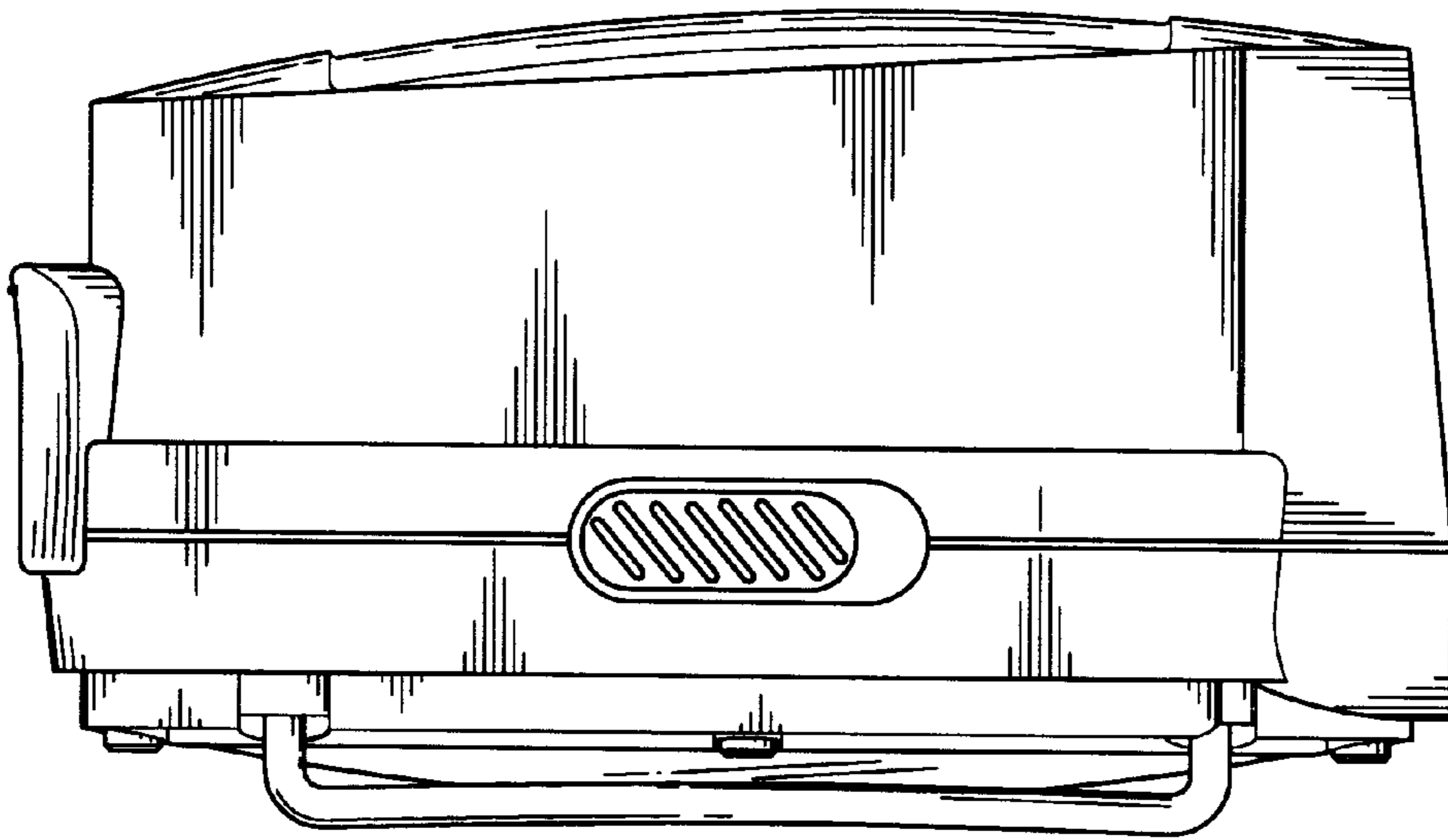


FIG. 5

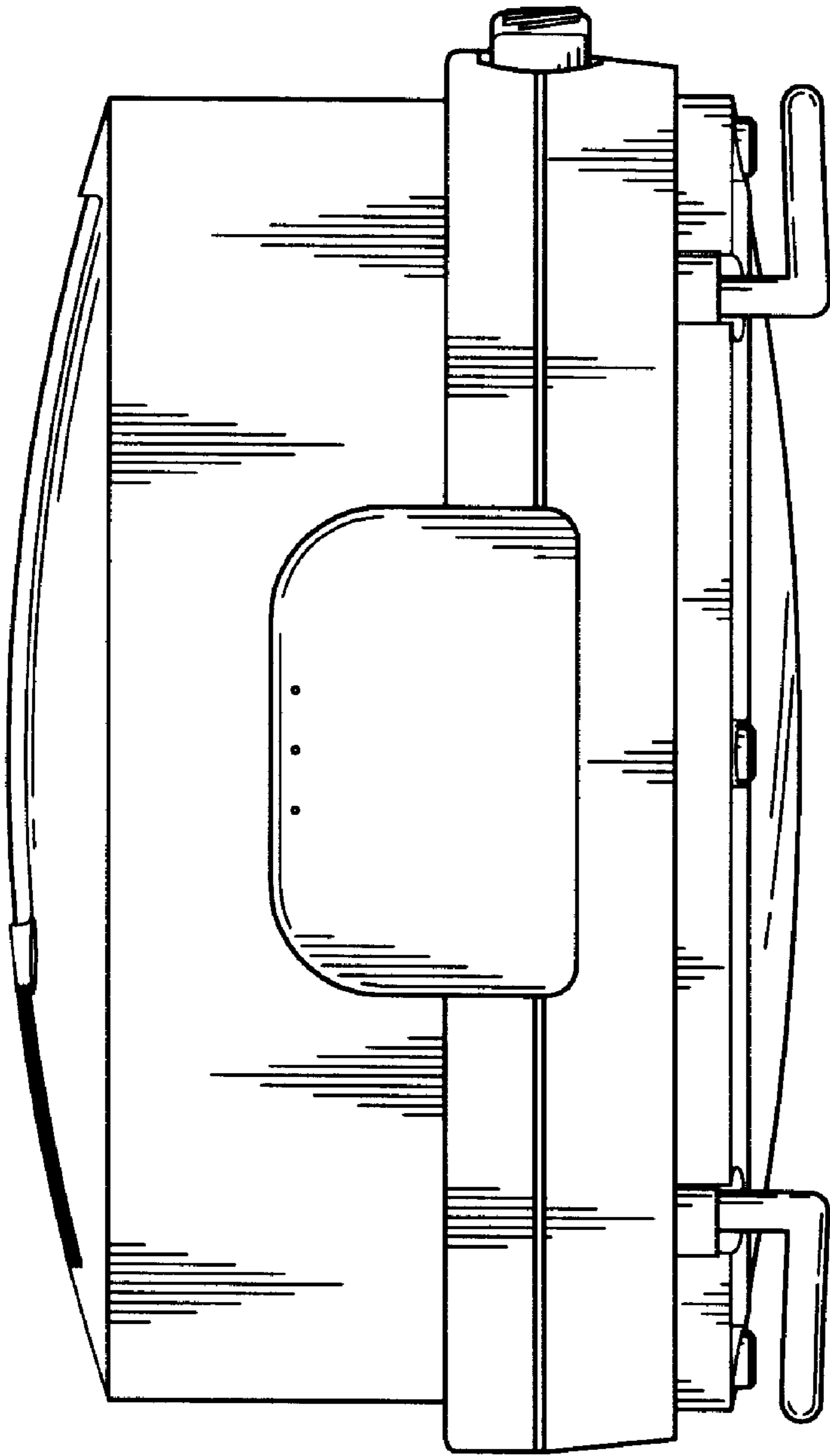


FIG.6

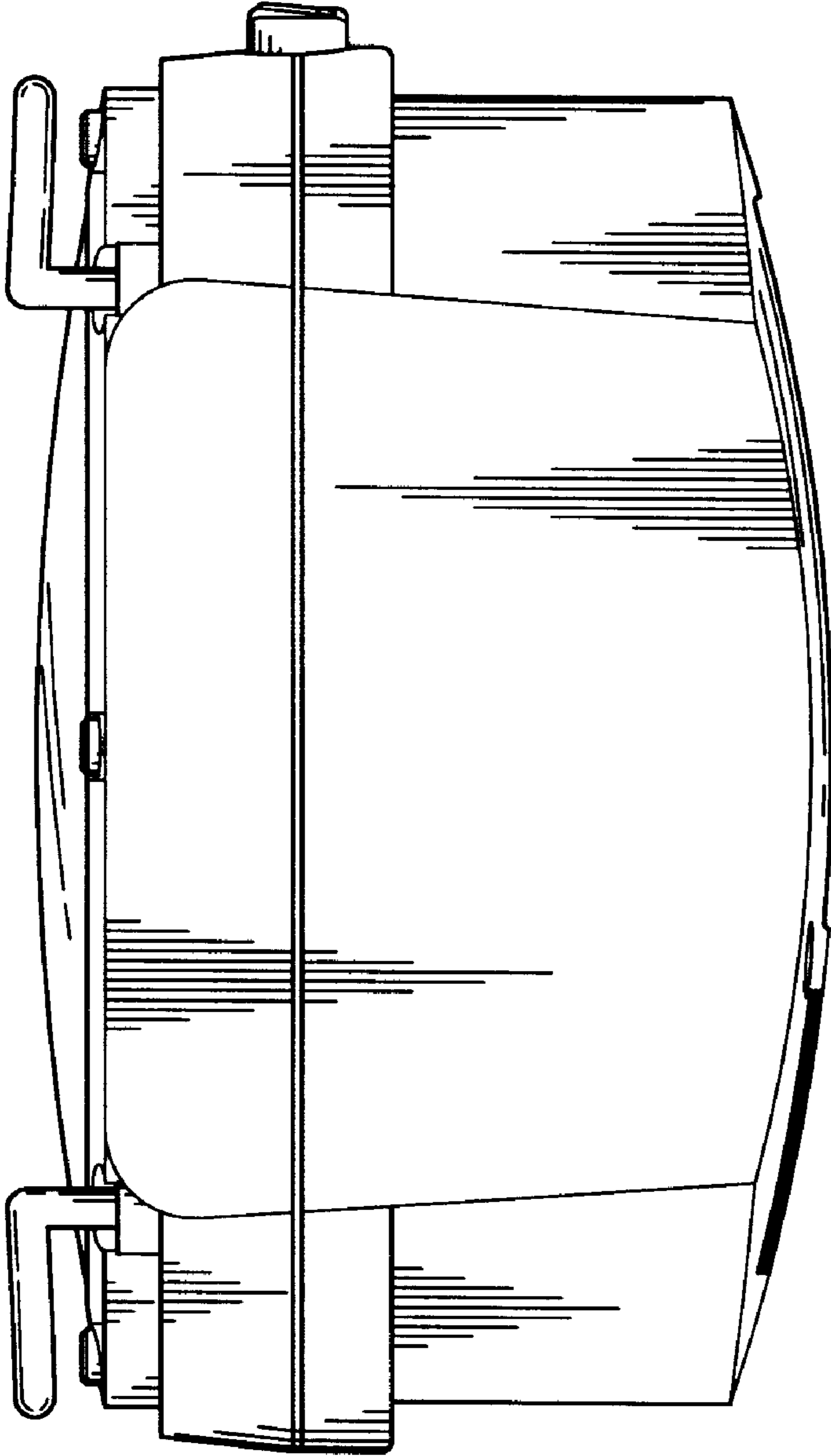


FIG.7