



US00D443207S

(12) **United States Design Patent** (10) **Patent No.:** **US D443,207 S**
Krishnakumar et al. (45) **Date of Patent:** **** Jun. 5, 2001**

(54) **BOTTLE PORTION**

(75) Inventors: **Suppayan M. Krishnakumar**, Nashua;
David P. Piccioli, Auburn, both of NH
(US); **Robert G. Di Canio**, Naperville,
IL (US); **Jeff Lichtman**, Evanston, IL
(US); **Jeffrey L. Pattee**, Palatine, IL
(US); **Christopher D. Rowe**,
Barrington, IL (US); **Tia-Maria Smith**,
Chicago, IL (US)

(73) Assignee: **Stokely-Van Camp, Inc.**, Chicago, IL
(US)

(**) Term: **14 Years**

(21) Appl. No.: **29/130,598**

(22) Filed: **Oct. 5, 2000**

Related U.S. Application Data

(63) Continuation of application No. 29/078,533, filed on Oct.
28, 1997, now Pat. No. Des. 435,453.

(51) **LOC (7) Cl.** **09-01**

(52) **U.S. Cl.** **D9/537**

(58) **Field of Search** D9/520, 537, 540,
D9/550, 551, 553; 215/381, 383, 384

(56) **References Cited**

U.S. PATENT DOCUMENTS

D. 154,563	*	7/1949	Peters	D9/551
D. 300,805	*	4/1989	Rogler et al.	D9/520
D. 379,224	*	5/1997	McCallister et al.	D9/520
5,579,937	*	12/1996	Valyi	215/384
5,758,790	*	6/1998	Ewing, Jr.	215/384
5,836,469	*	11/1998	Zebrowski	215/384

* cited by examiner

Primary Examiner—Dominic Simone
(74) *Attorney, Agent, or Firm*—Lars S. Johnson

(57) **CLAIM**

The ornamental design for a bottle portion, as shown and described.

DESCRIPTION

FIG. 1 is a perspective view of a bottle portion showing our new design;

FIG. 2 is a front view of the bottle portion depicted in FIG. 1;

FIG. 3 is a side view of the bottle portion depicted in FIG. 2, representing a partial rotation of the bottle portion about its vertical center axis from the front view depicted in FIG. 2;

FIG. 4 is a back view of the bottle portion depicted in FIG. 2, representing a partial rotation of the bottle portion about its vertical center axis from the front view depicted in FIG. 2, said back view being opposite the front view depicted in FIG. 2;

FIG. 5 is a side view of the bottle portion depicted in FIG. 2, representing a partial rotation of the bottle portion about its vertical axis from the front view depicted in FIG. 2, said side view being opposite the side view depicted in FIG. 3;

FIG. 6 is a top view of the bottle portion depicted in FIG. 2;

FIG. 7 is a bottom view of the bottle portion depicted in FIG. 2;

FIG. 8 is a perspective view of a second embodiment of a bottle portion as depicted in FIG. 1;

FIG. 9 is a front view of the bottle portion depicted in FIG. 8;

FIG. 10 is a side view of the bottle portion depicted in FIG. 9, representing a partial rotation of the bottle portion about its vertical center axis from the front view depicted in FIG. 9;

FIG. 11 is a back view of the bottle portion depicted in FIG. 9, representing a partial rotation of the bottle portion about its vertical center axis from the front view depicted in FIG. 9; said back view being opposite the front view depicted in FIG. 9;

FIG. 12 is a side view of the bottle portion depicted in FIG. 9, representing a partial rotation of the bottle portion about its vertical axis from the front view depicted in FIG. 9, said side view being opposite the side view depicted in FIG. 10;

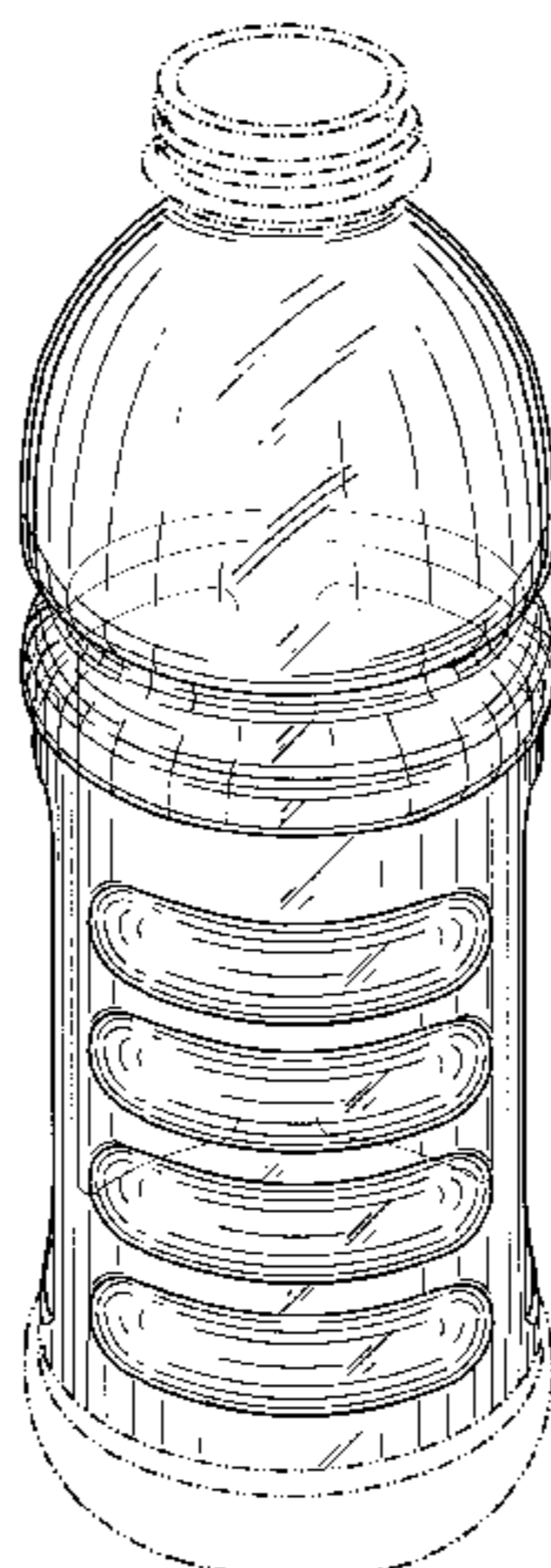


FIG. 13 is a top view of the bottle portion depicted in FIG. 9;

FIG. 14 is a bottom view of the bottle portion depicted in FIG. 9;

FIG. 15 is a perspective view of a third embodiment of a bottle portion as depicted in FIG. 1;

FIG. 16 is a front view of the bottle portion depicted in FIG. 15;

FIG. 17 is a side view of the bottle portion depicted in FIG. 16, representing a partial rotation of the bottle portion about its vertical center axis from the front view depicted in FIG. 16;

FIG. 18 is a back view of the bottle portion depicted in FIG. 16, representing a partial rotation of the bottle portion about its vertical center axis from the front view depicted in FIG. 16, said back view being opposite the front view depicted in FIG. 16;

FIG. 19 is a side view of the bottle portion depicted in FIG. 16, representing a partial rotation of the bottle portion about its vertical axis from the front view depicted in FIG. 16, said side view being opposite the side view depicted in FIG. 17;

FIG. 20 is a top view of the bottle portion depicted in FIG. 16;

FIG. 21 is a bottom view of the bottle portion depicted in FIG. 16;

FIG. 22 is a perspective view of a fourth embodiment of a bottle portion as depicted in FIG. 1;

FIG. 23 is a front view of the bottle portion depicted in FIG. 22;

FIG. 24 is a side view of the bottle portion depicted in FIG. 23, representing a partial rotation of the bottle portion about its vertical center axis from the front view depicted in FIG. 23;

FIG. 25 is a back view of the bottle portion depicted in FIG. 23, representing a partial rotation of the bottle portion about its vertical center axis from the front view depicted in FIG. 23; said back view being opposite the front view depicted in FIG. 23;

FIG. 26 is a side view of the bottle portion depicted in FIG. 23, representing a partial rotation of the bottle portion about its vertical axis from the front view depicted in FIG. 23, said side view being opposite the side view depicted in FIG. 24;

FIG. 27 is a top view of the bottle portion depicted in FIG. 23;

FIG. 28 is a bottom view of the bottle portion depicted in FIG. 23;

FIG. 29 is a perspective view of a fifth embodiment of a bottle portion as depicted in FIG. 1;

FIG. 30 is a front view of the bottle portion depicted in FIG. 29;

FIG. 31 is a side view of the bottle portion depicted in FIG. 30, representing a partial rotation of the bottle portion about its vertical center axis from the front view depicted in FIG. 30;

FIG. 32 is a back view of the bottle portion depicted in FIG. 30, representing a partial rotation of the bottle portion about its vertical center axis from the front view depicted in FIG. 30, said back view being opposite the front view depicted in FIG. 30;

FIG. 33 is a side view of the bottle portion depicted in FIG. 30, representing a partial rotation of the bottle portion about its vertical axis from the front view depicted in FIG. 30, said side view being opposite the side view depicted in FIG. 31;

FIG. 34 is a top view of the bottle portion depicted in FIG. 30; and,

FIG. 35 is a bottom view of the bottle portion depicted in FIG. 30.

The broken line environmental showing is for illustrative purposes only and does not form part of the claimed design.

1 Claim, 15 Drawing Sheets

FIG. 1

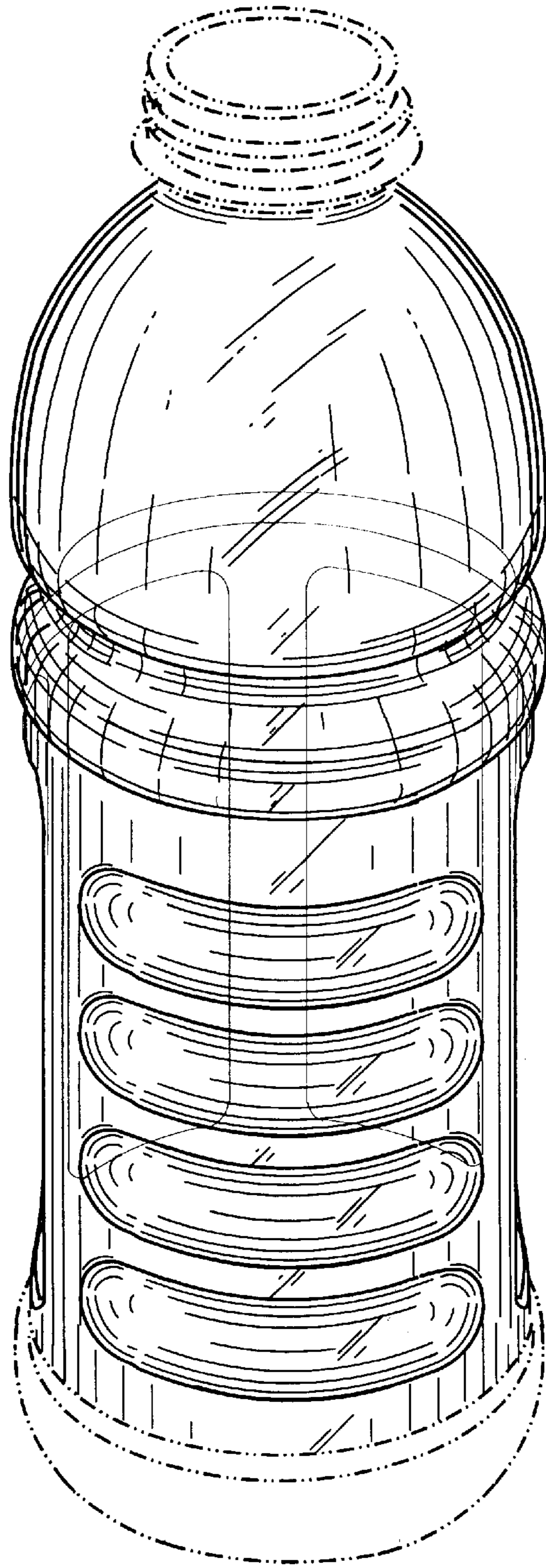


FIG. 6

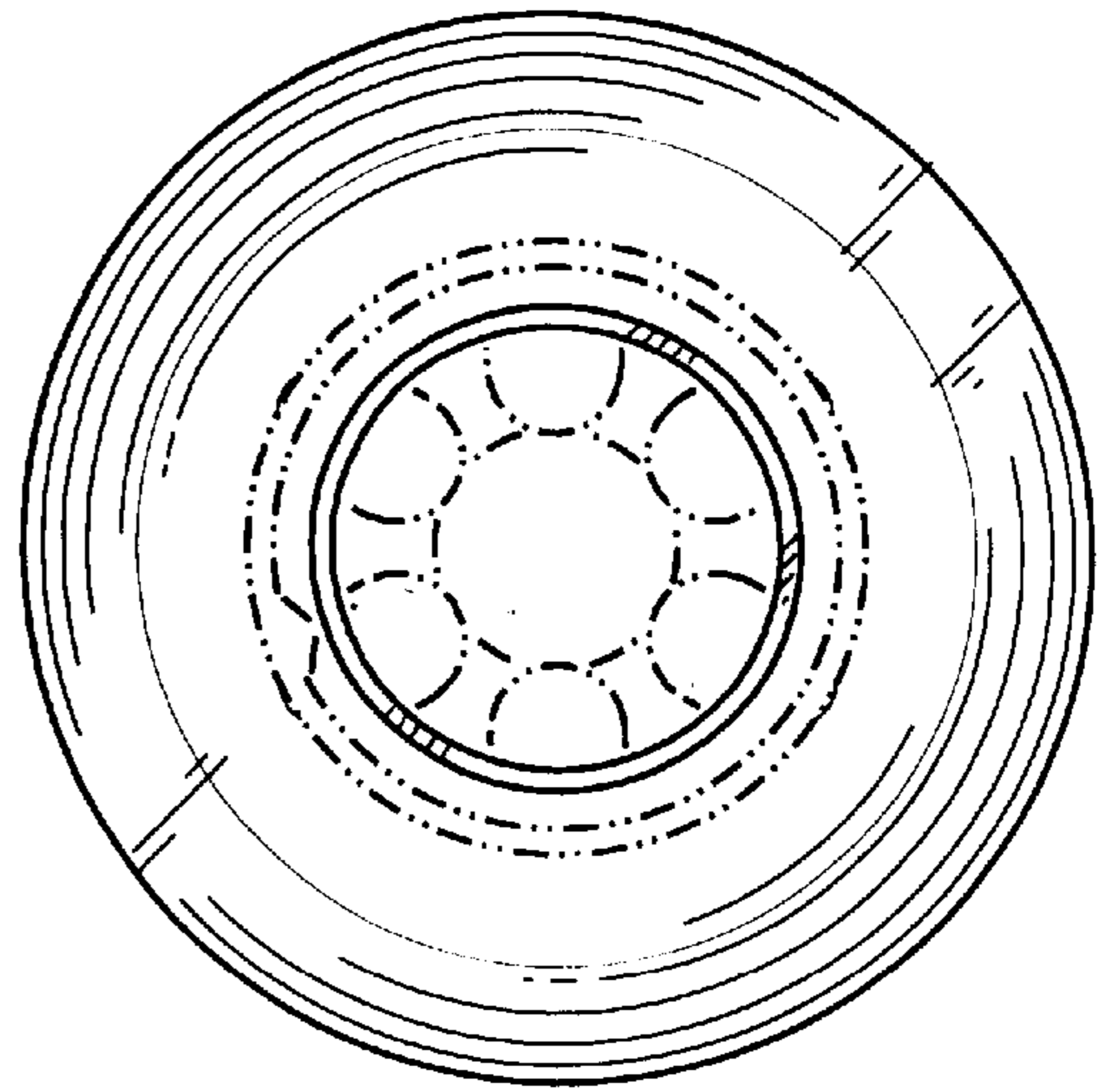


FIG. 7

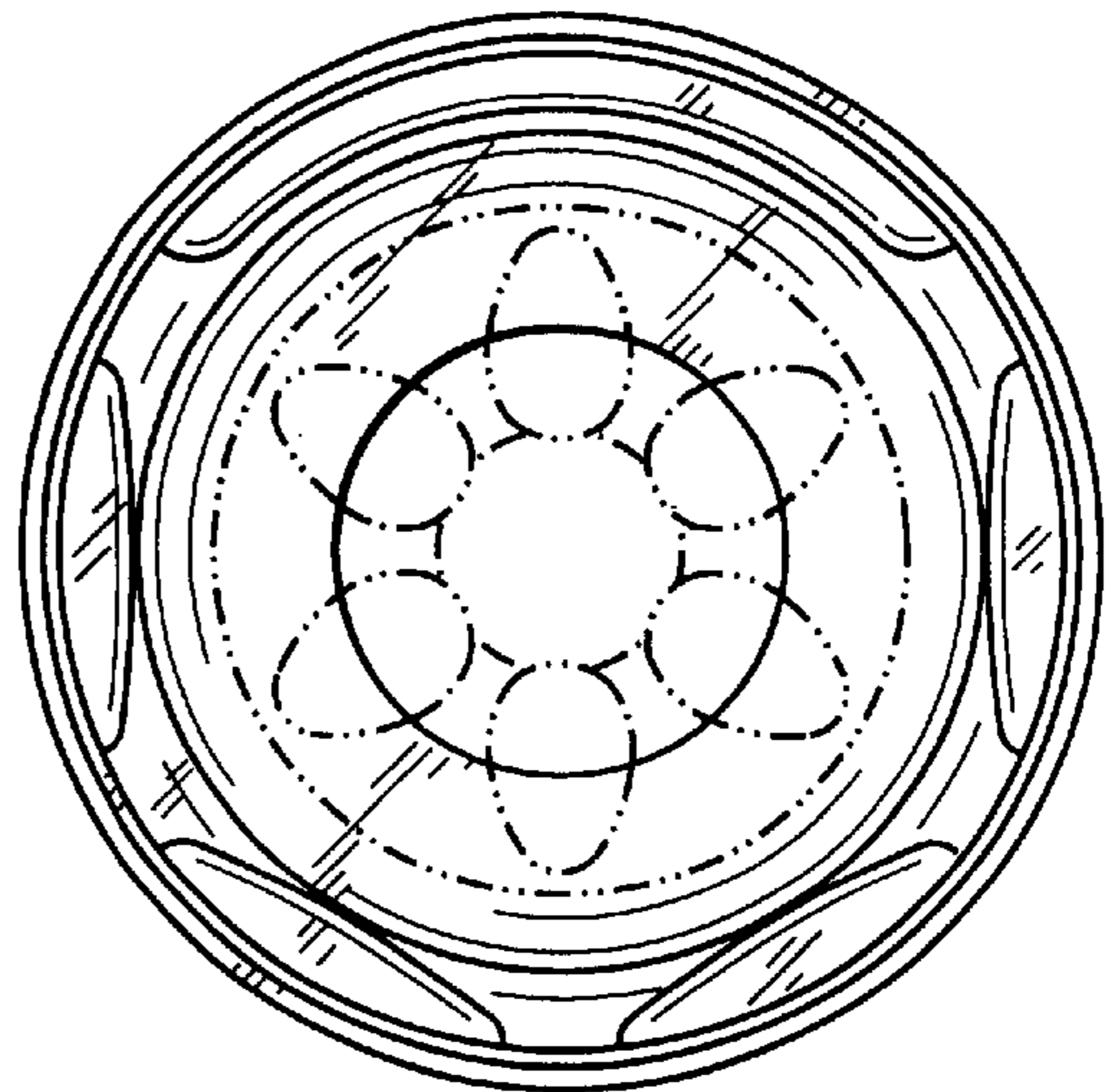


FIG. 2

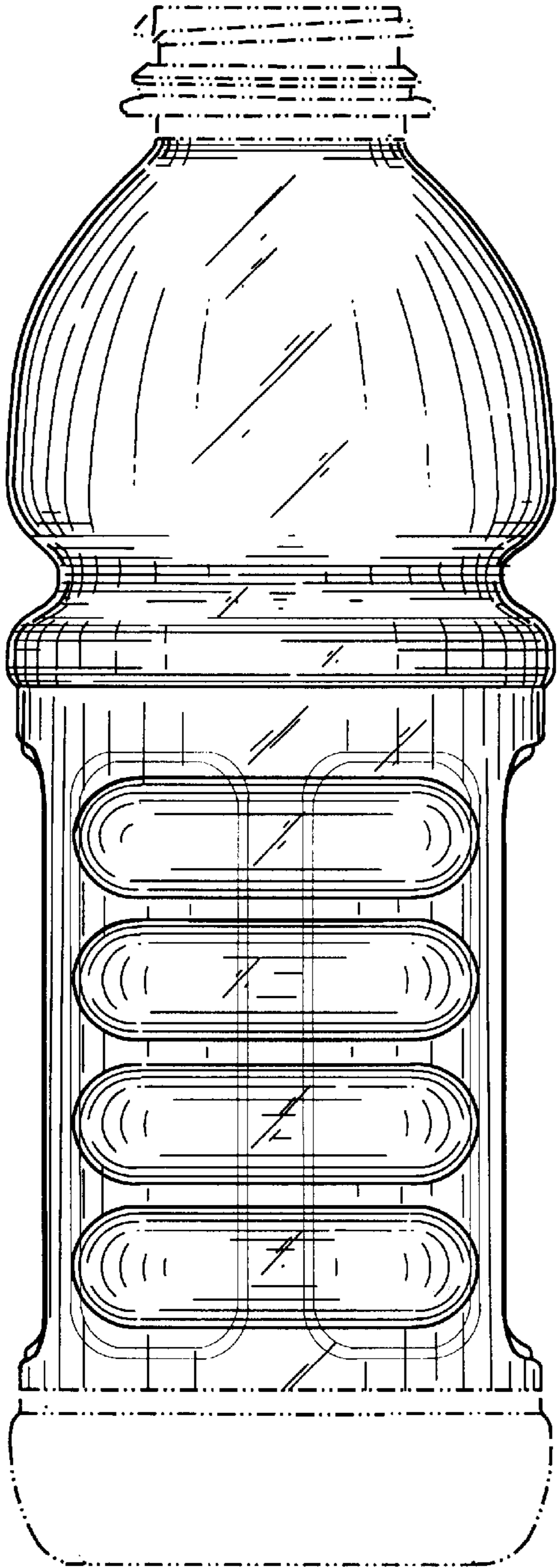


FIG. 3

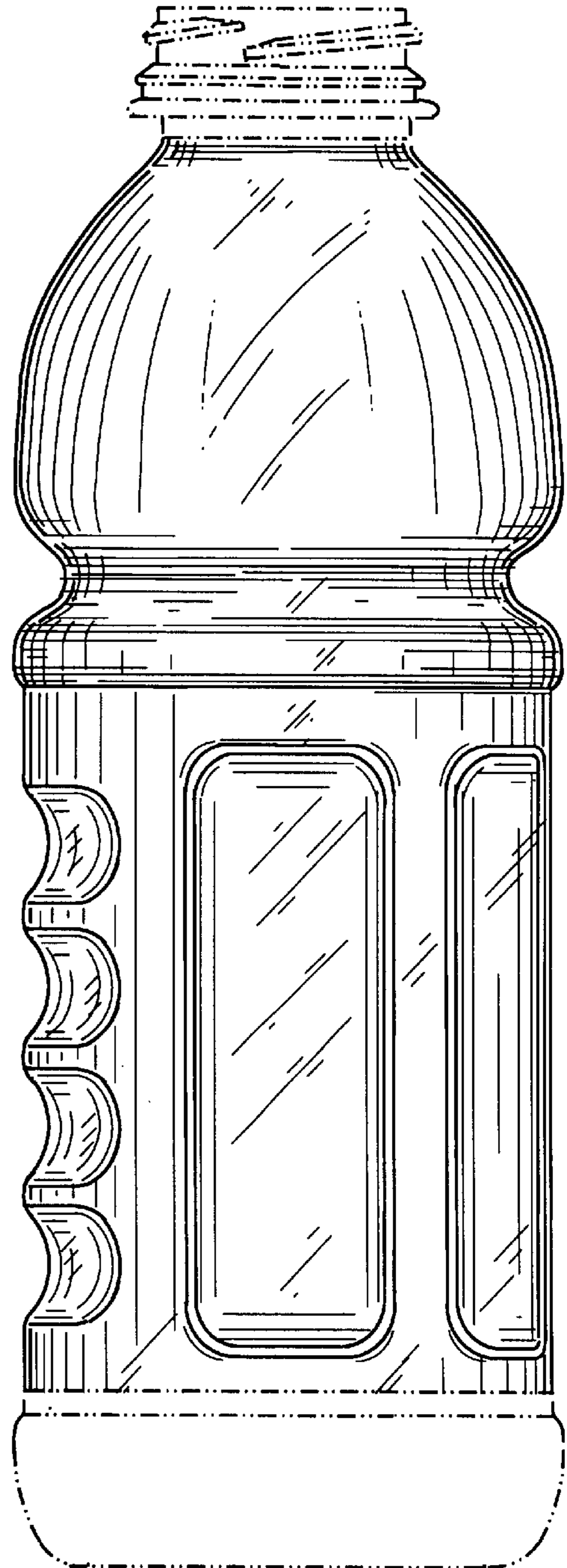


FIG. 4

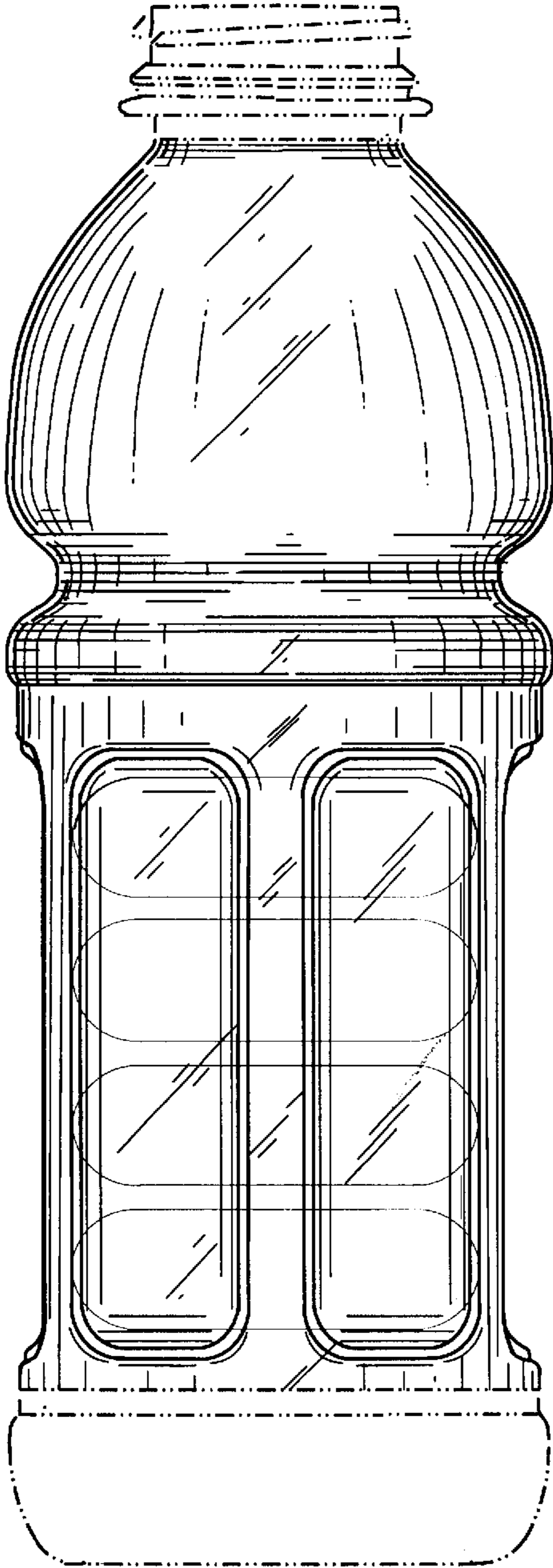


FIG. 5

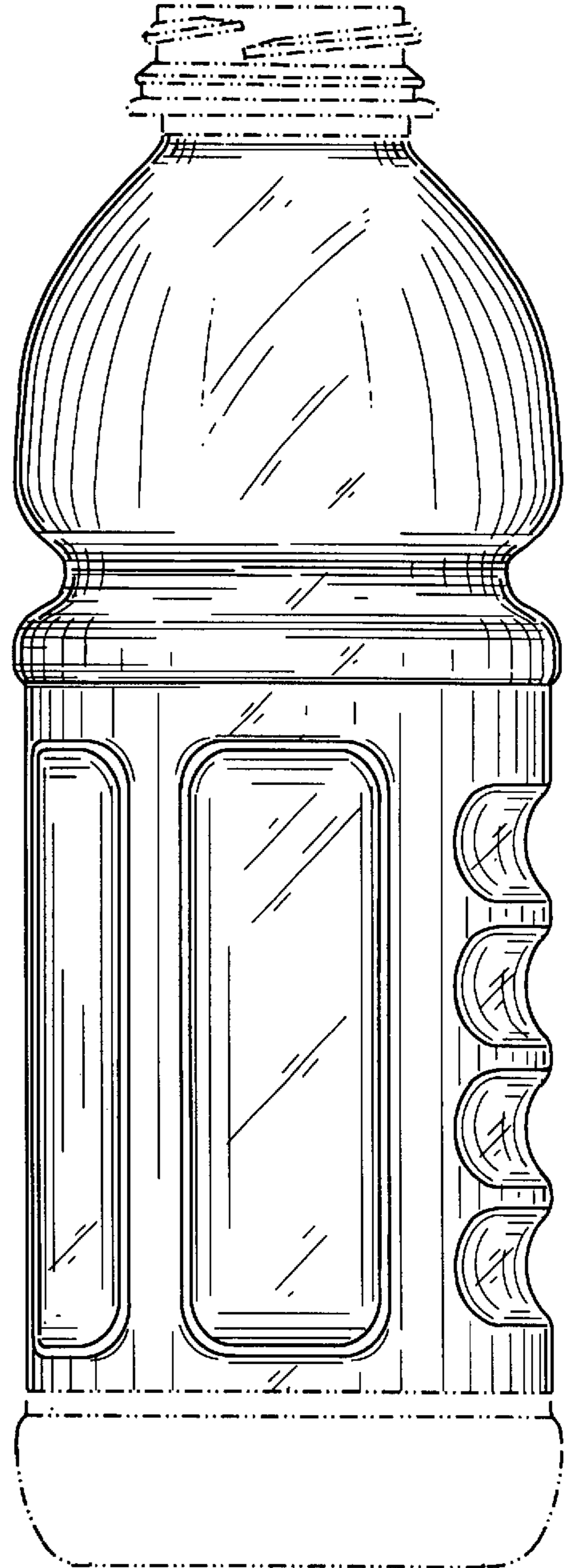


FIG. 8

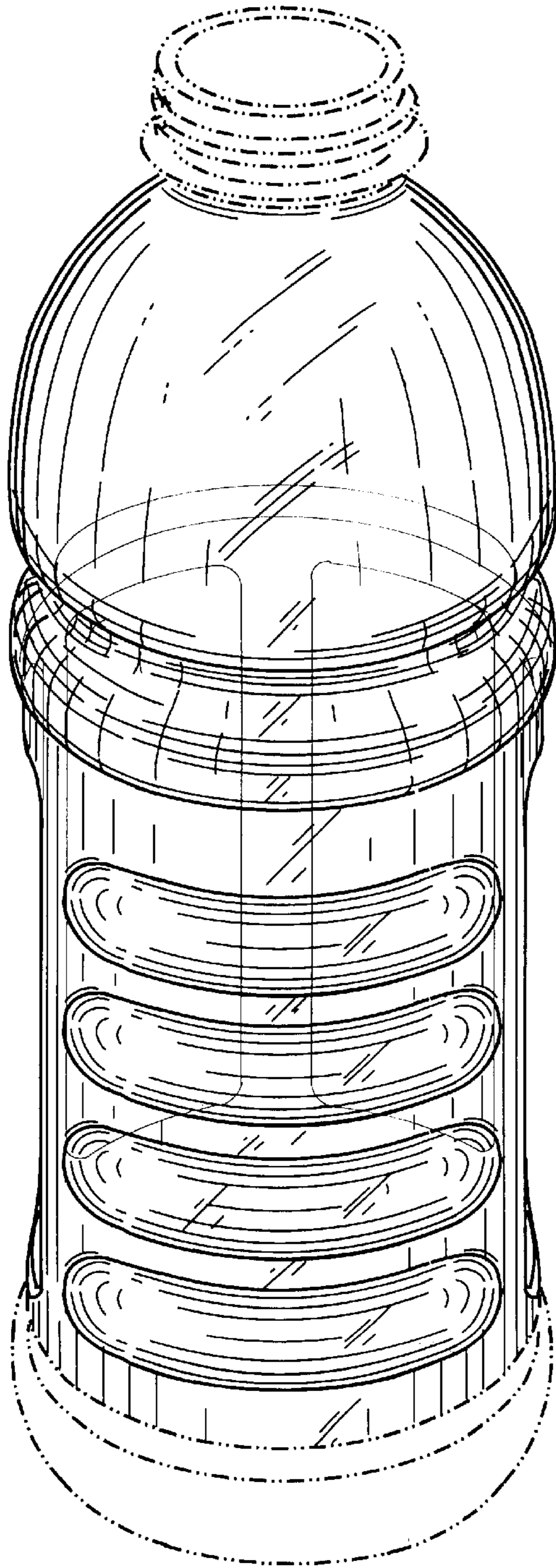


FIG. 13

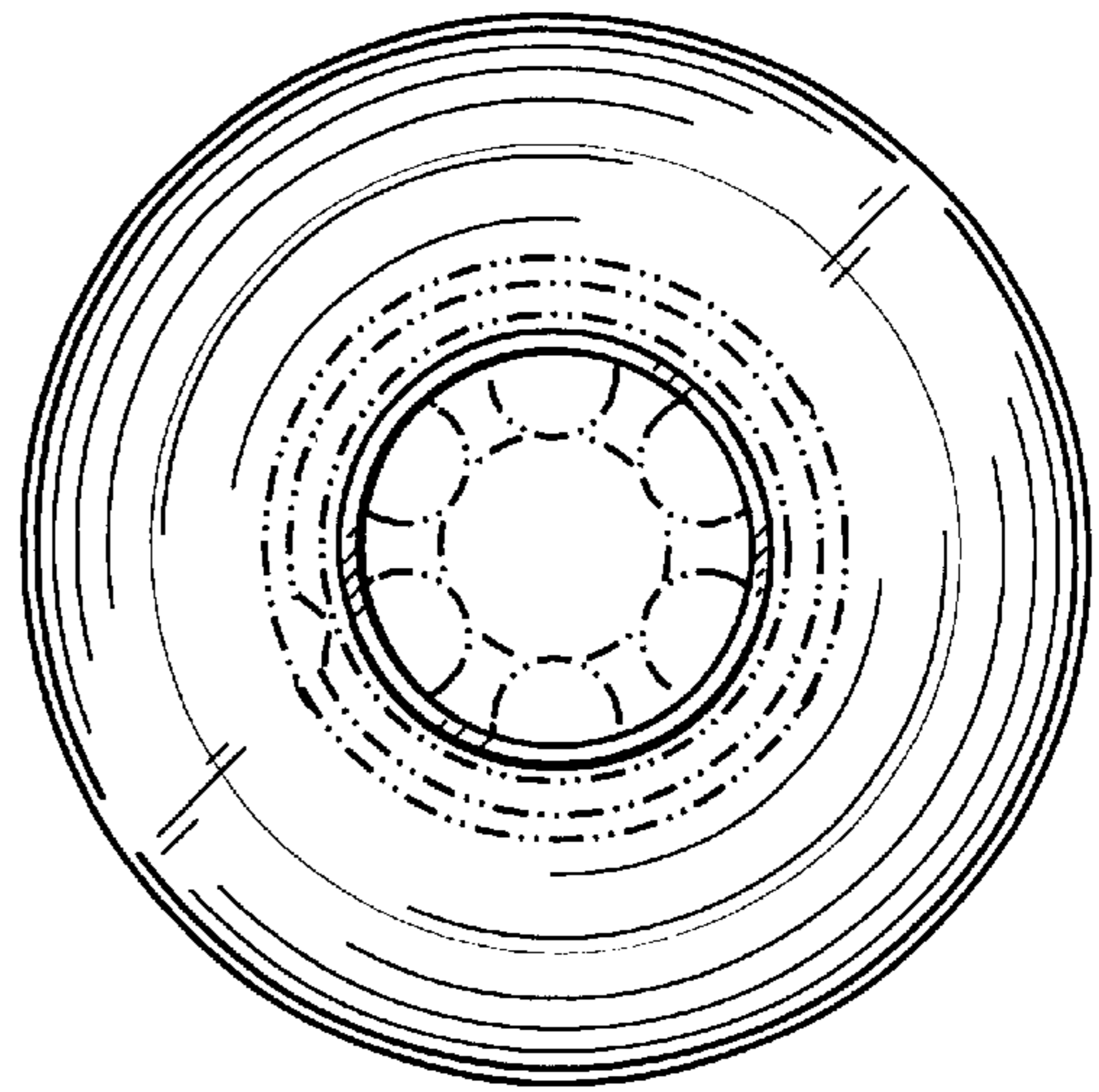


FIG. 14

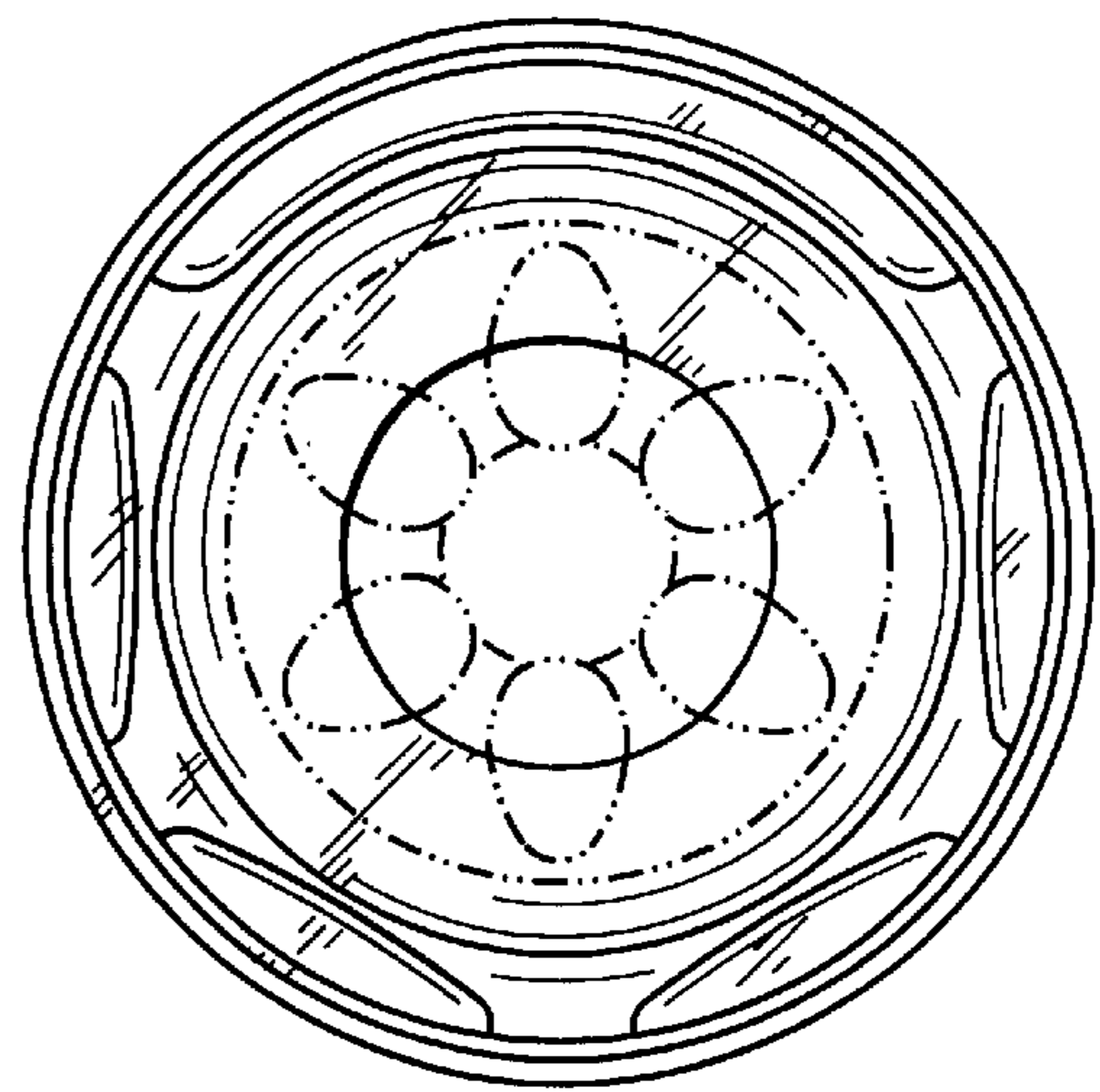


FIG. 9

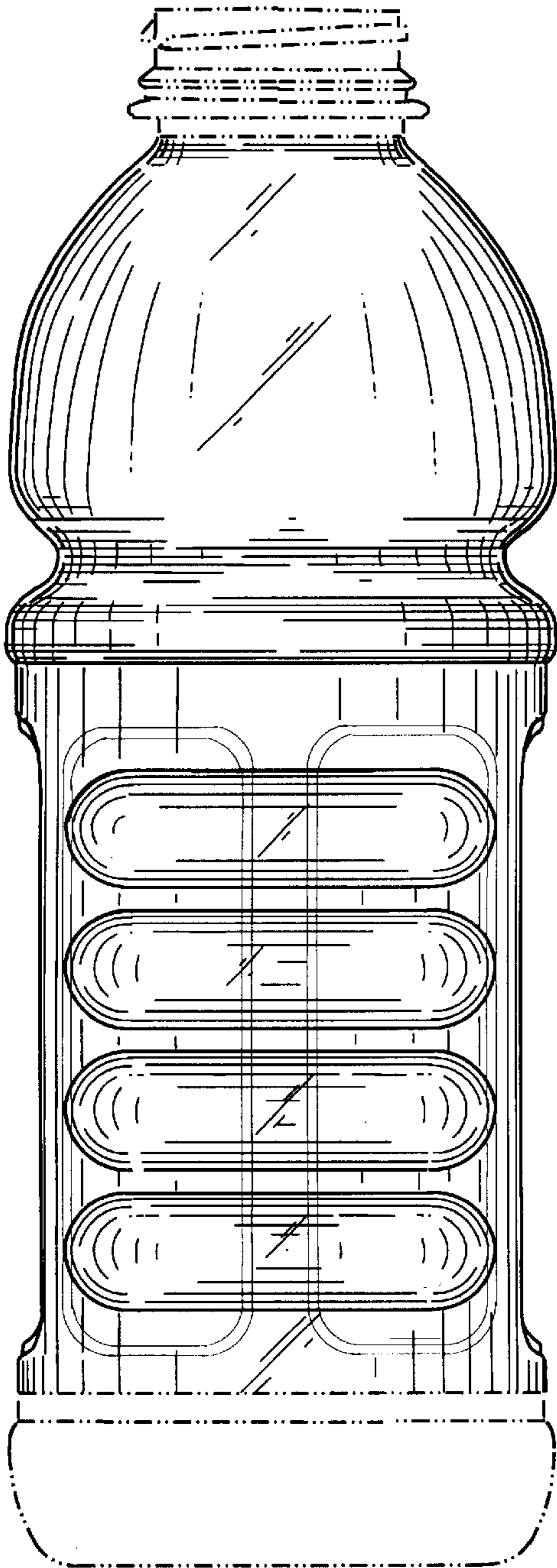


FIG. 10

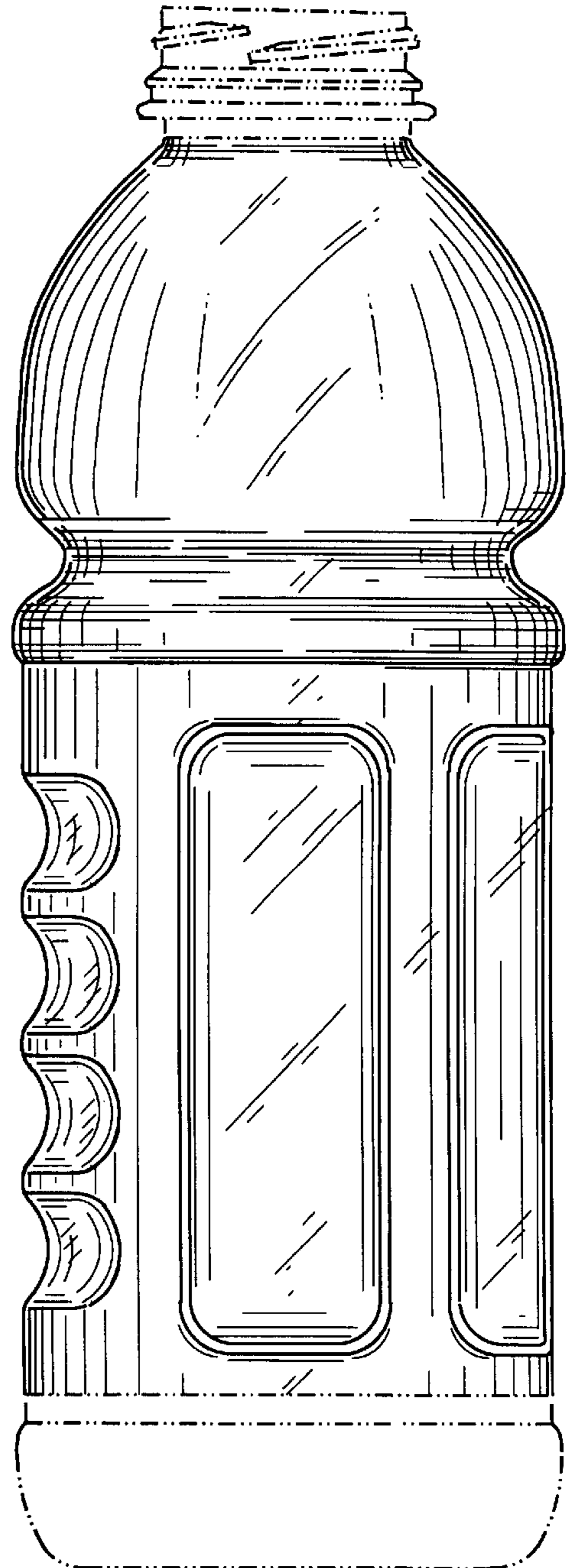


FIG. 11

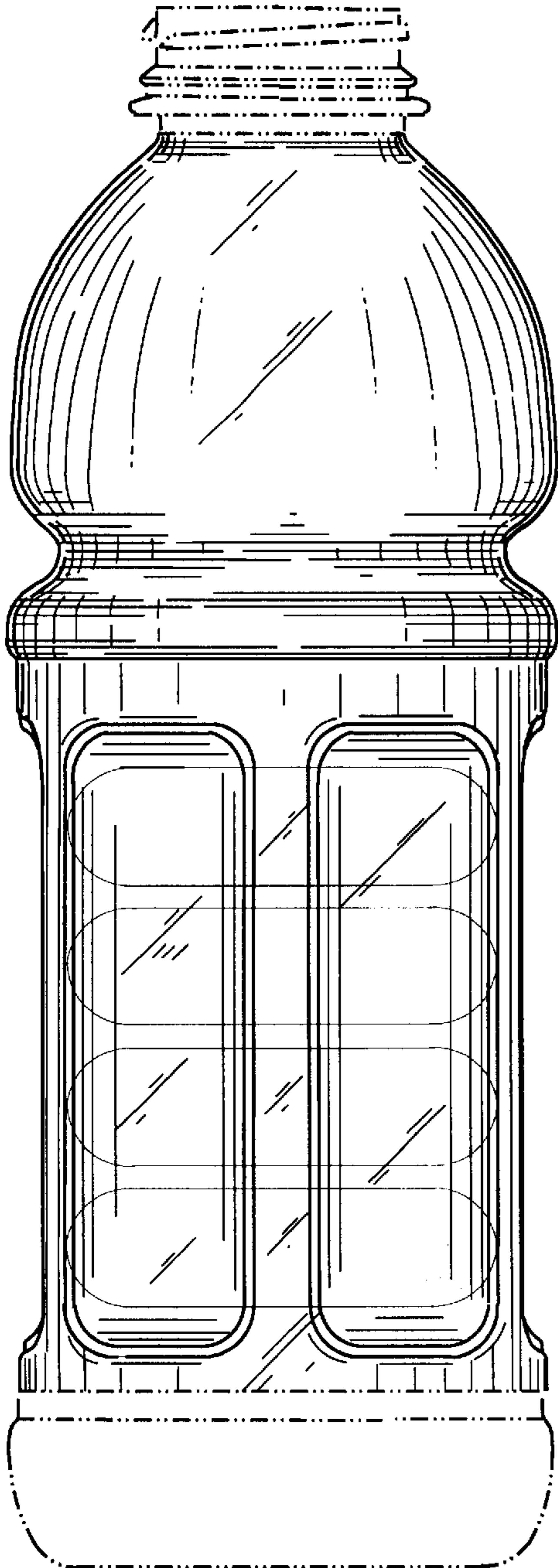


FIG. 12

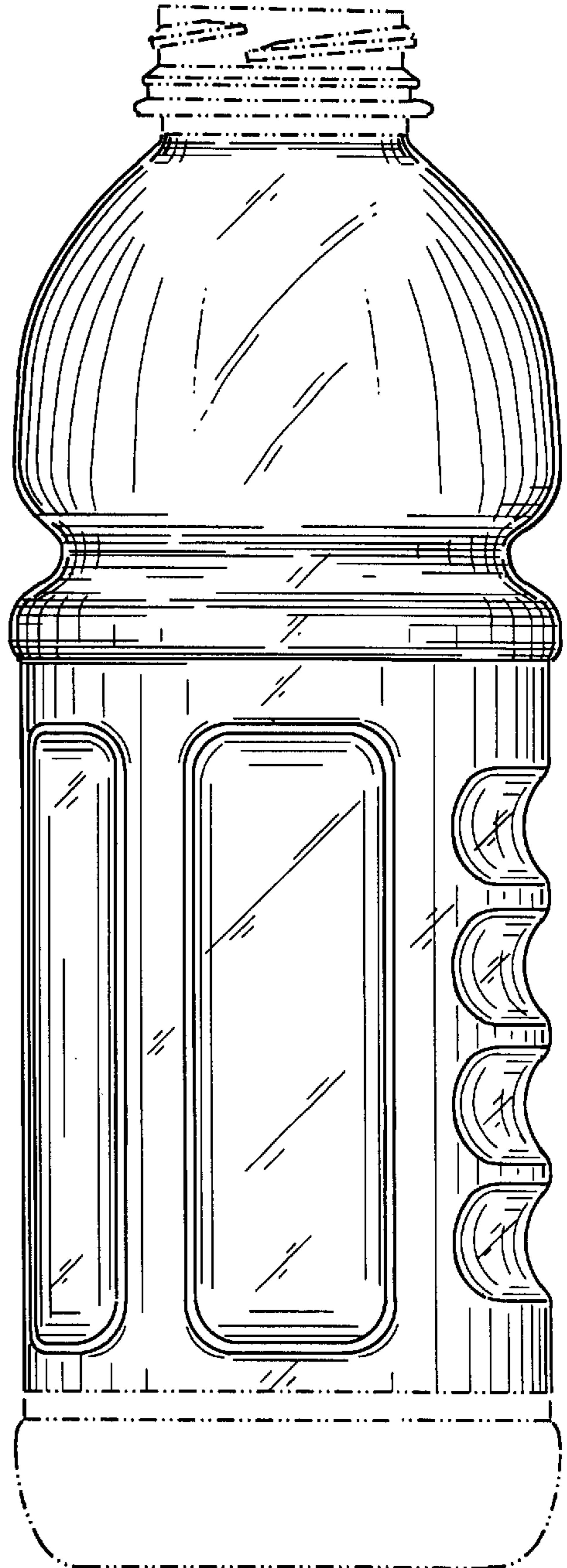


FIG. 15

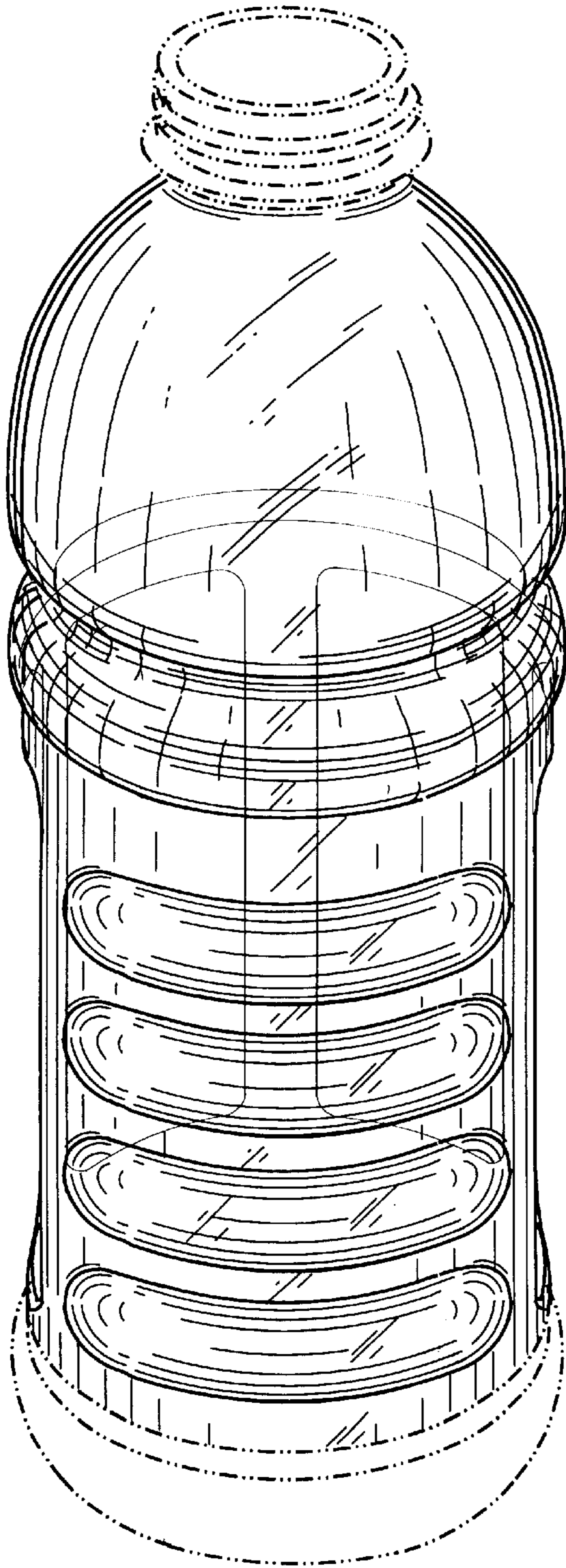


FIG. 20

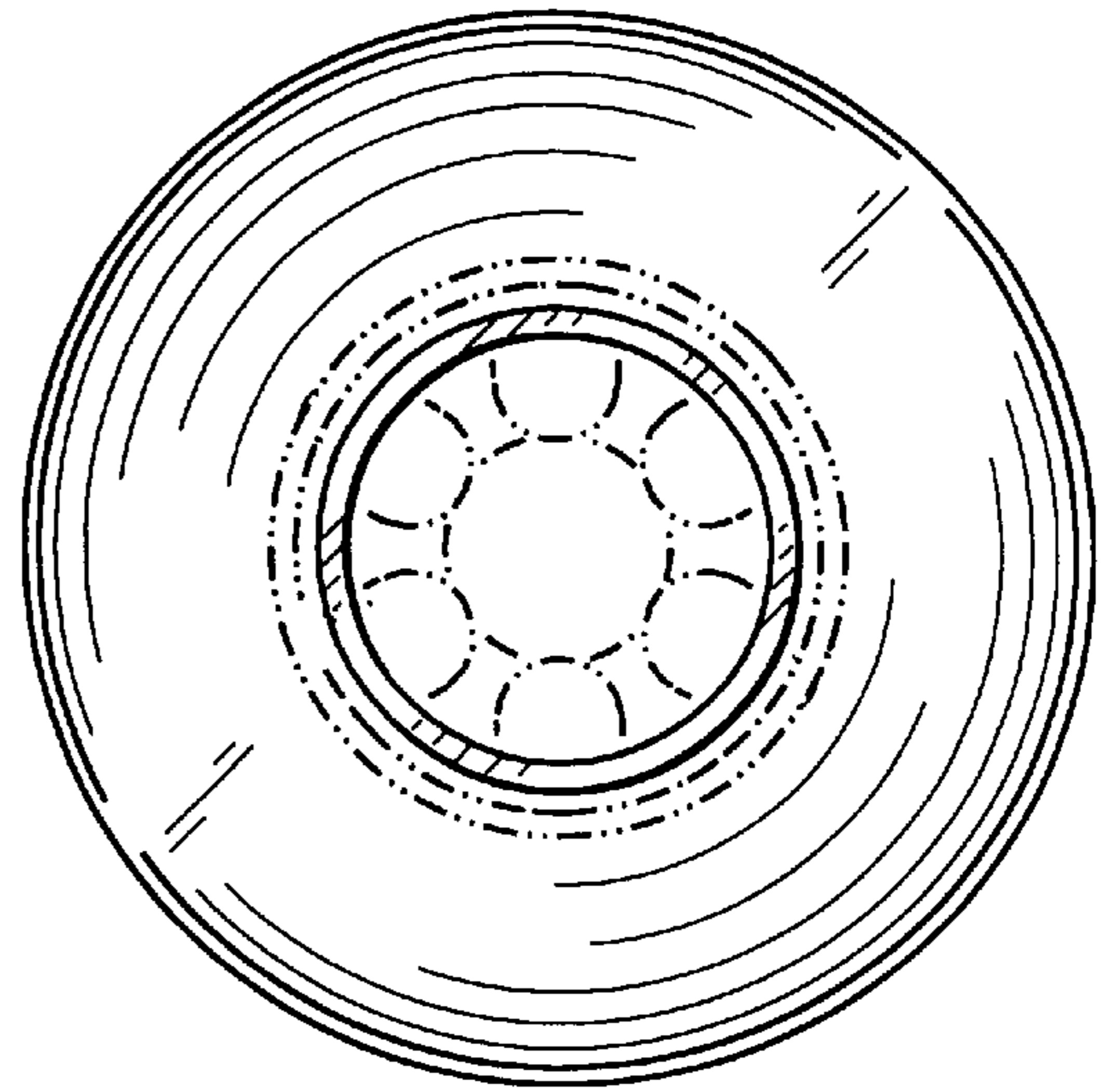


FIG. 21

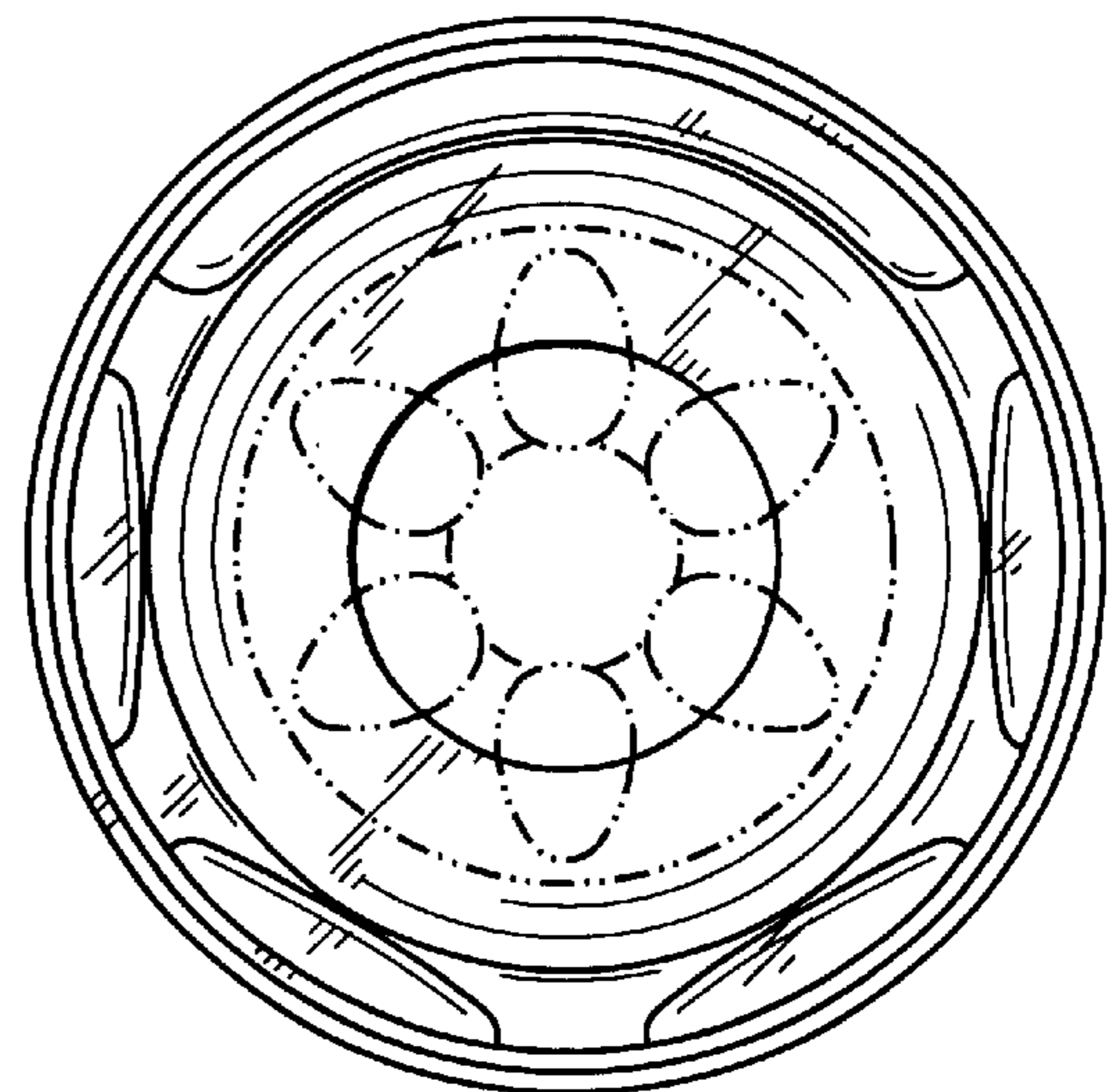


FIG. 16

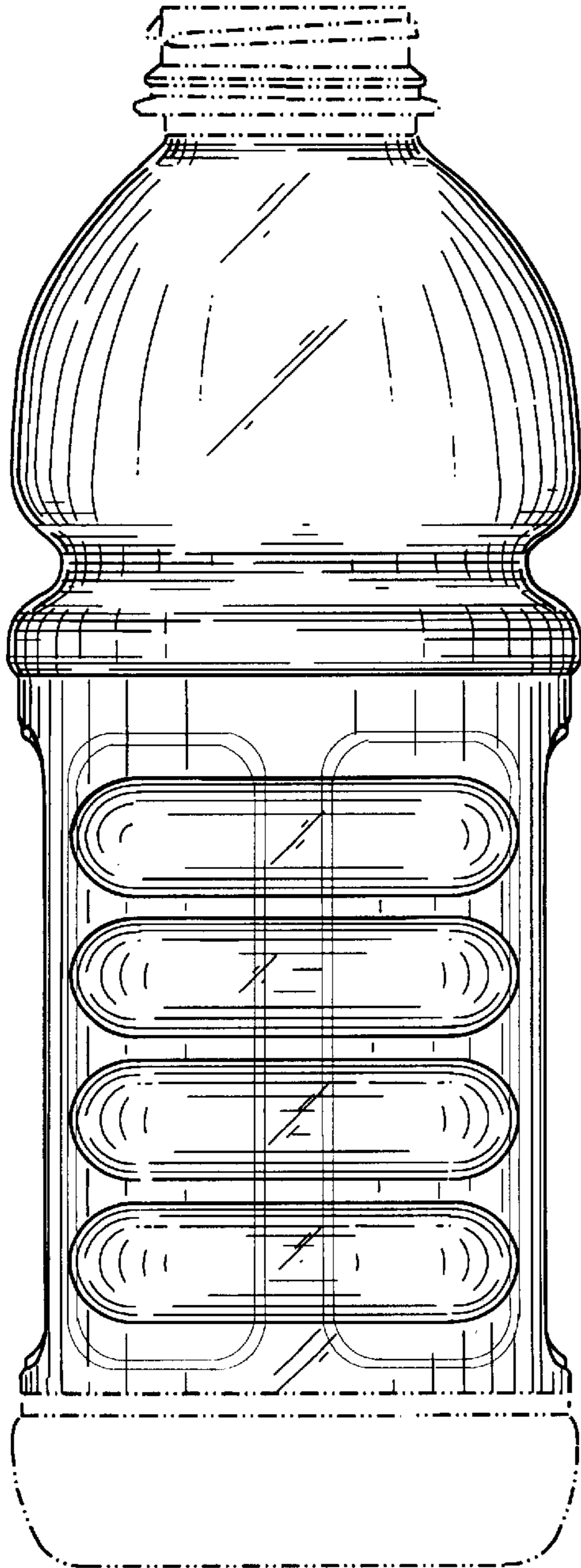


FIG. 17

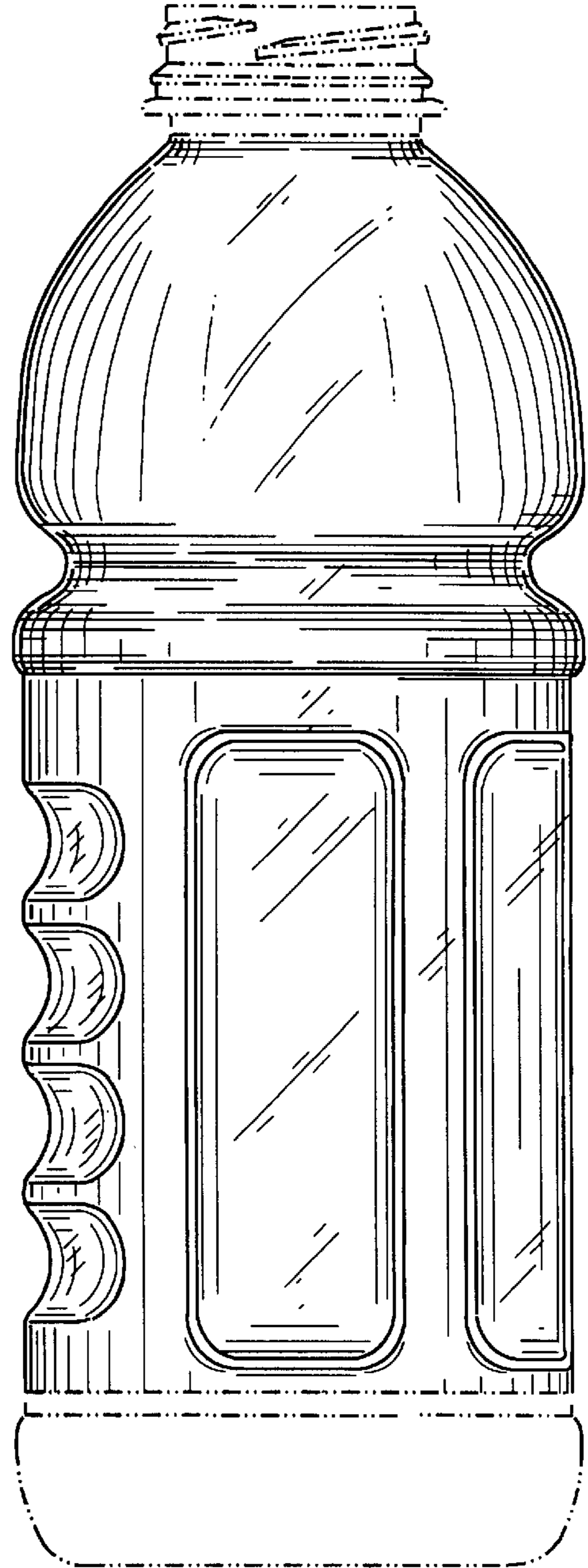


FIG. 18

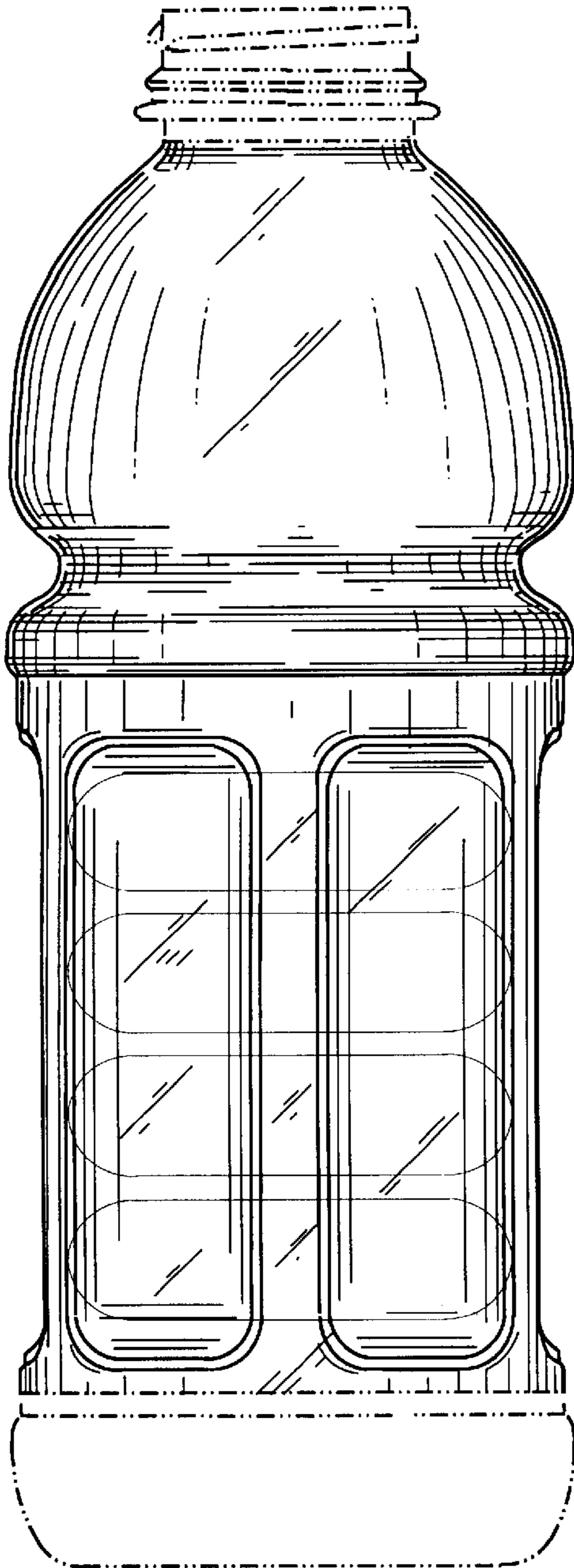


FIG. 19

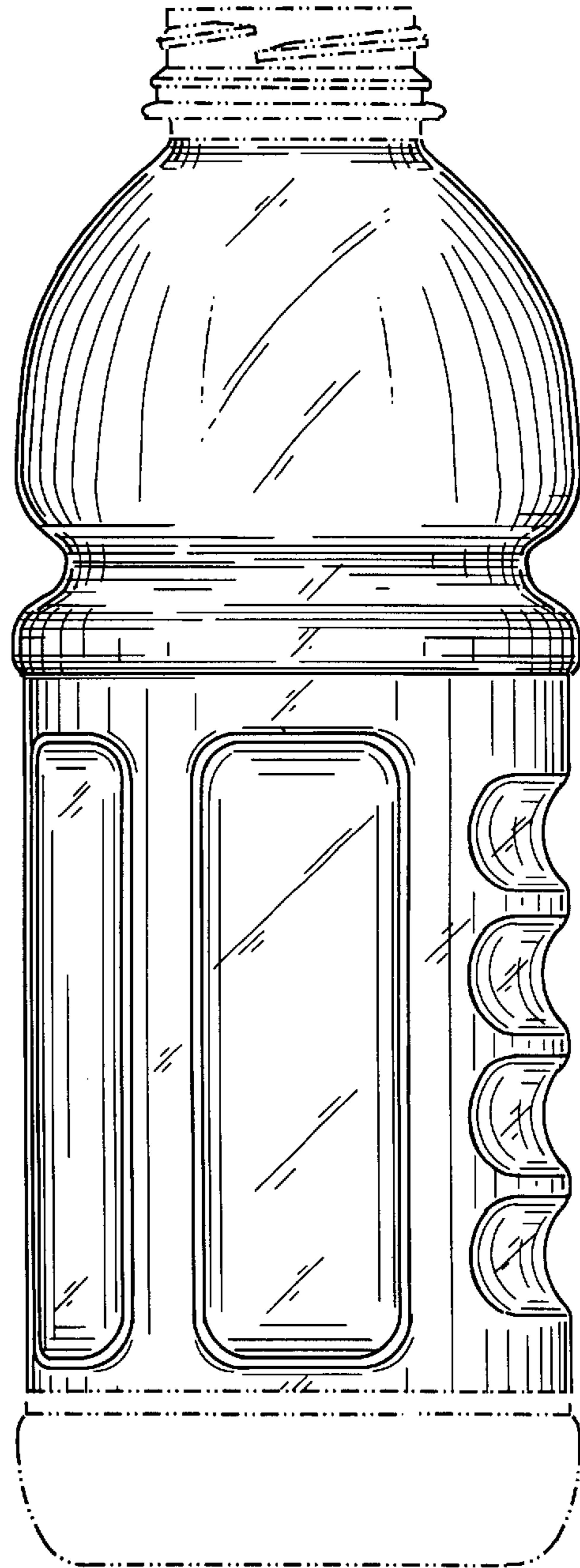


FIG. 22

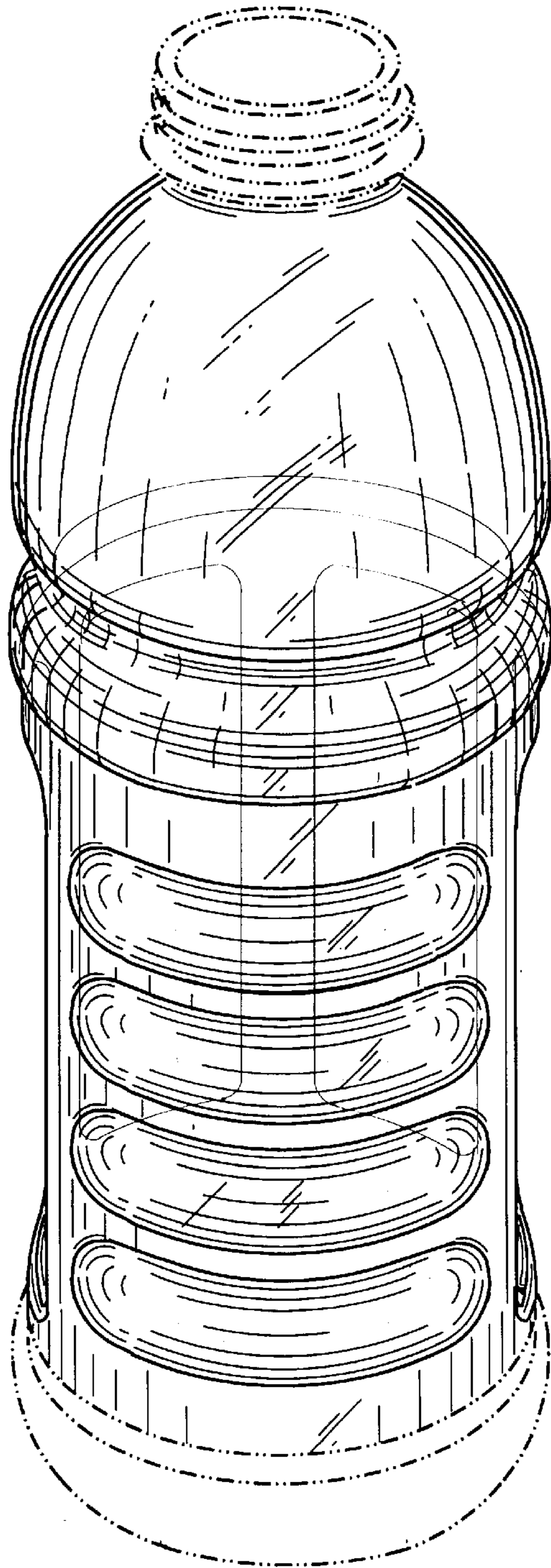


FIG. 27

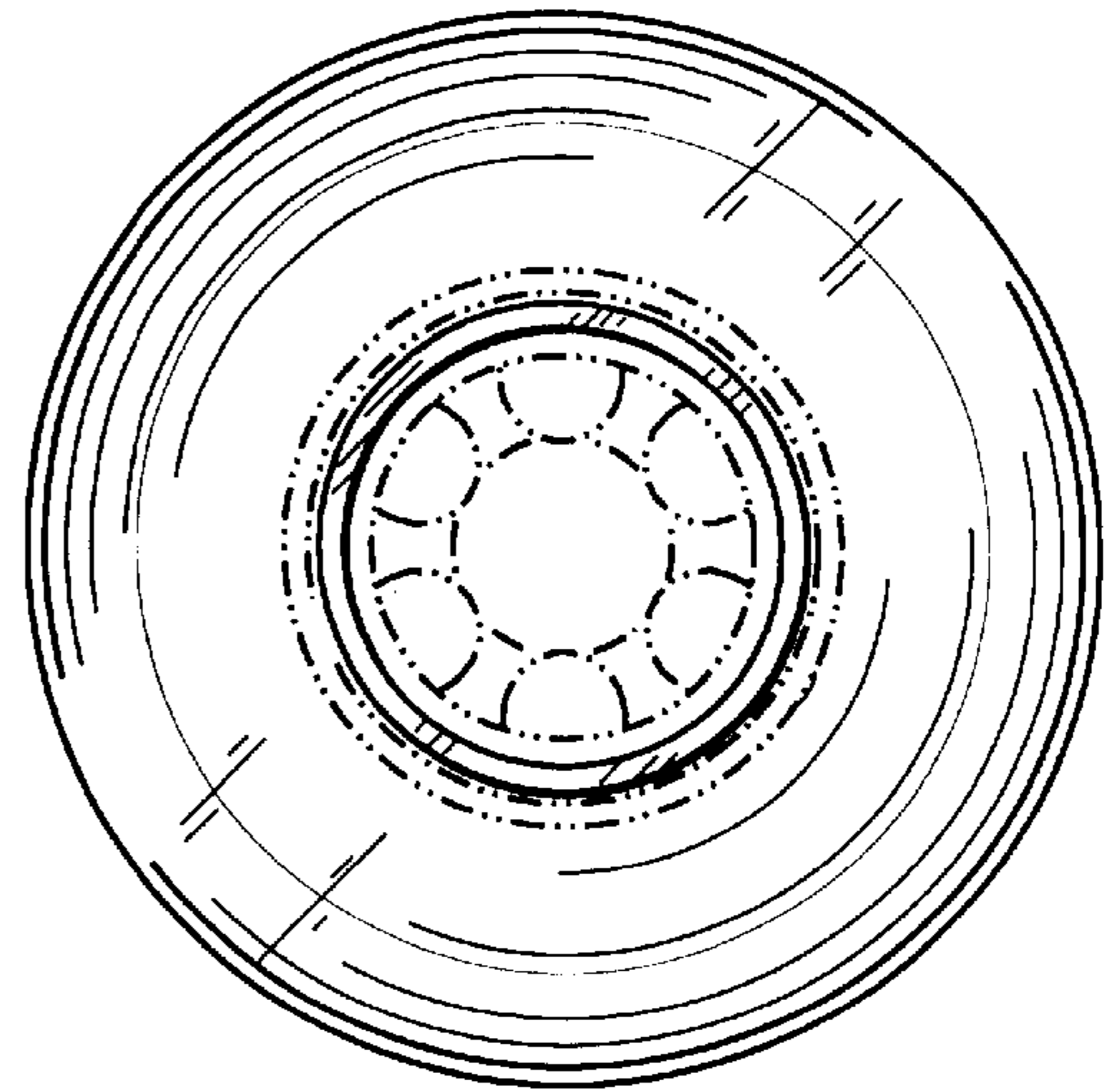


FIG. 28

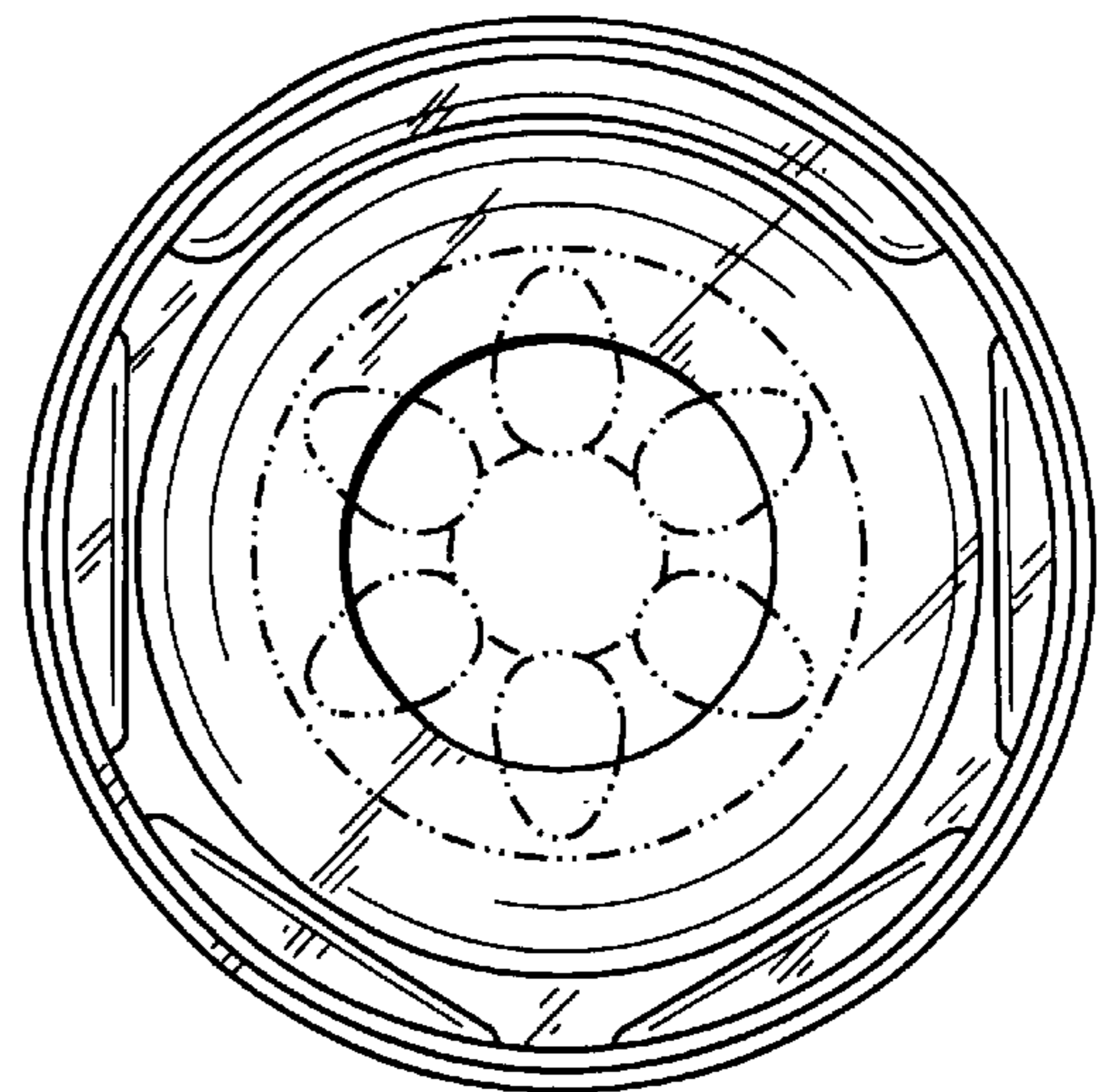


FIG. 23

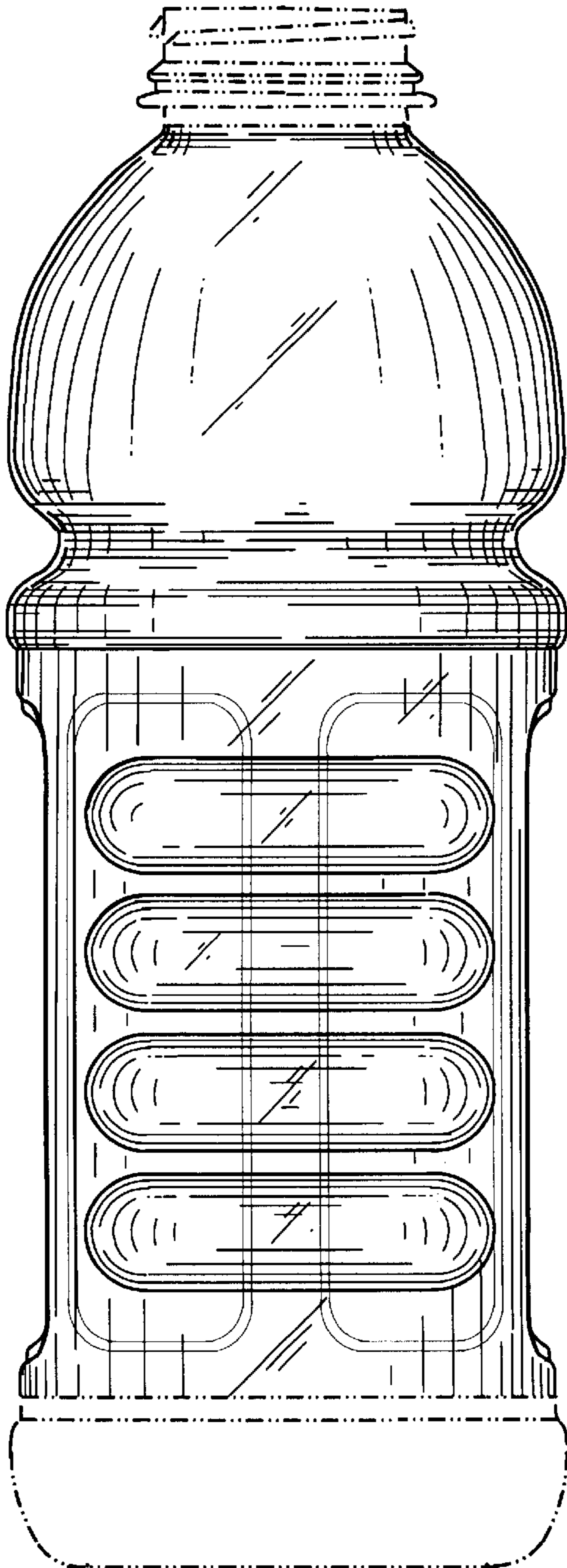


FIG. 24

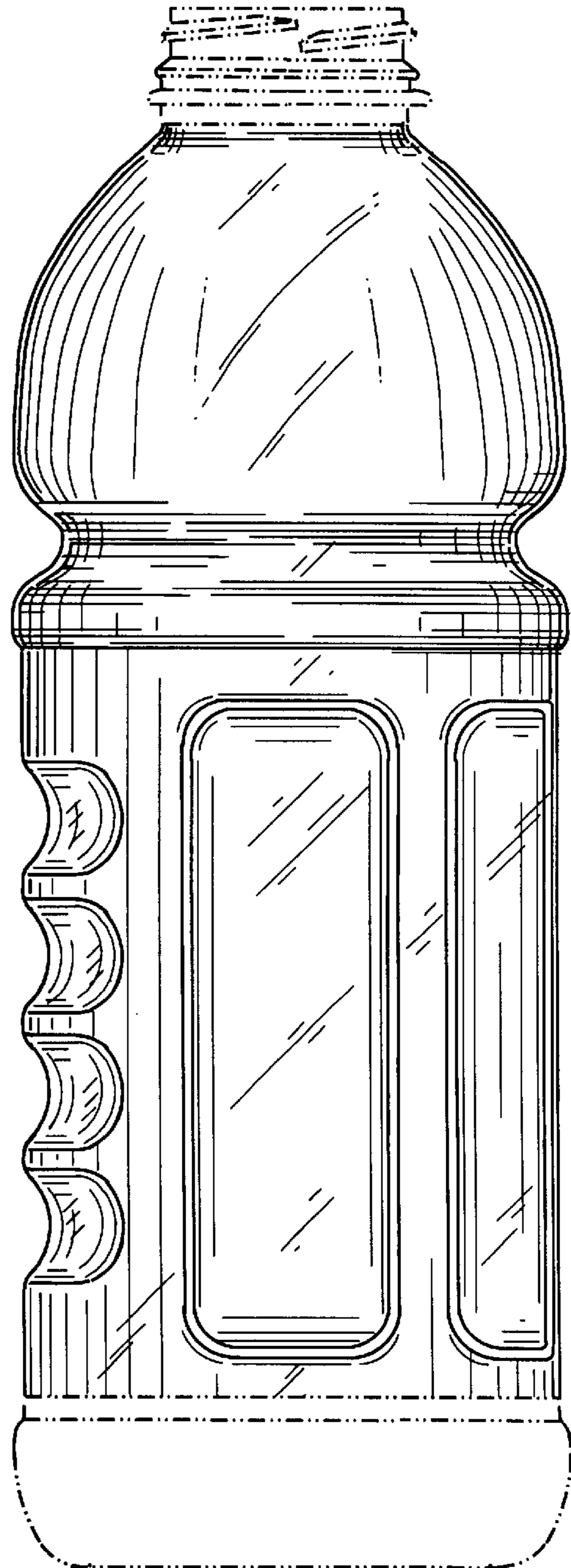


FIG. 25

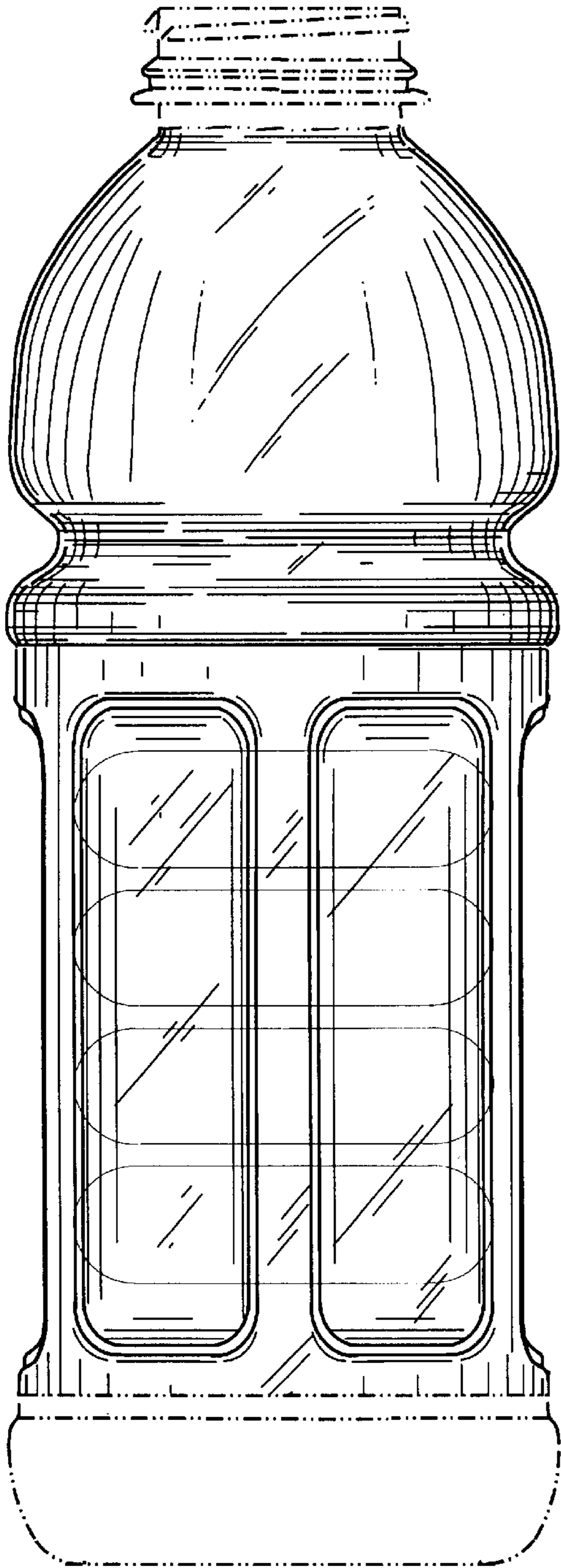


FIG. 26

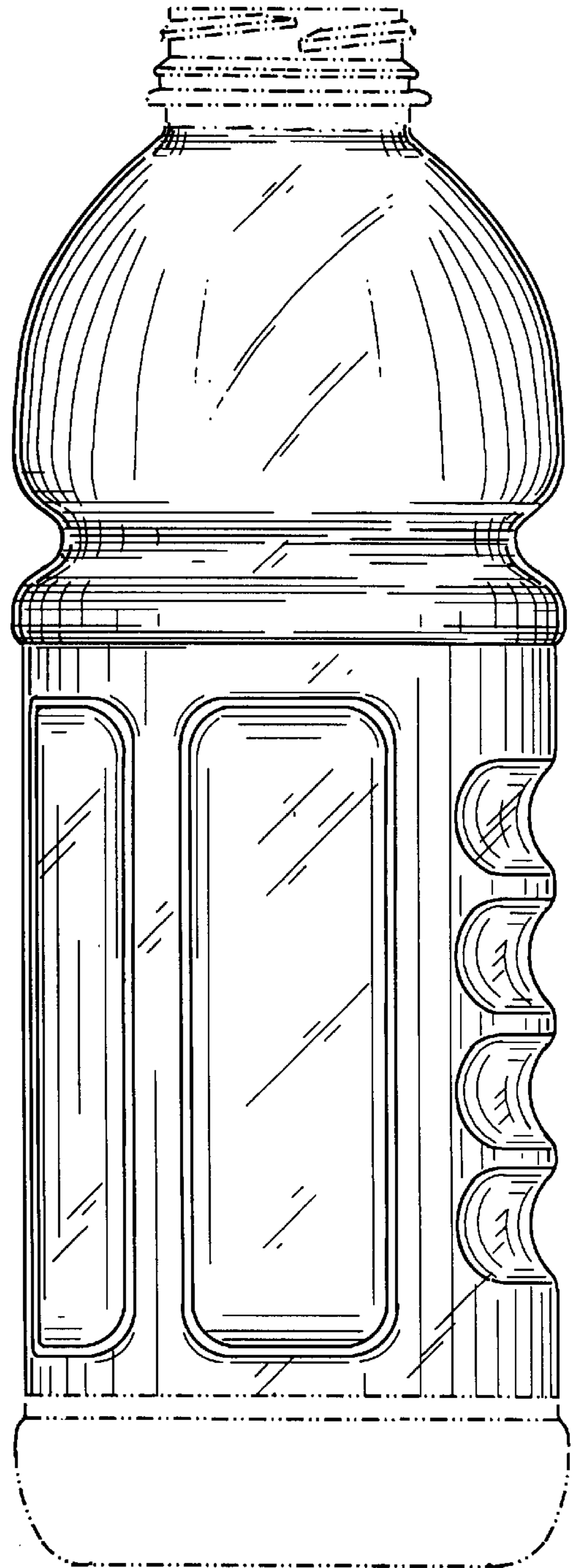


FIG. 29

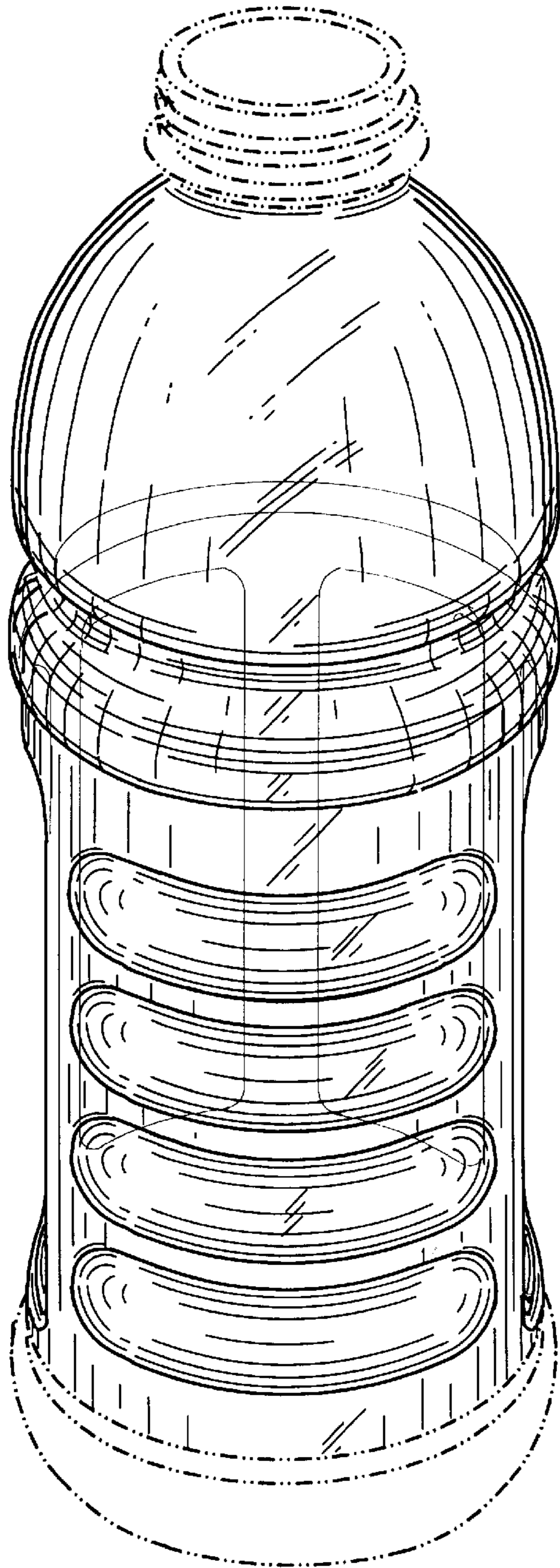


FIG. 34

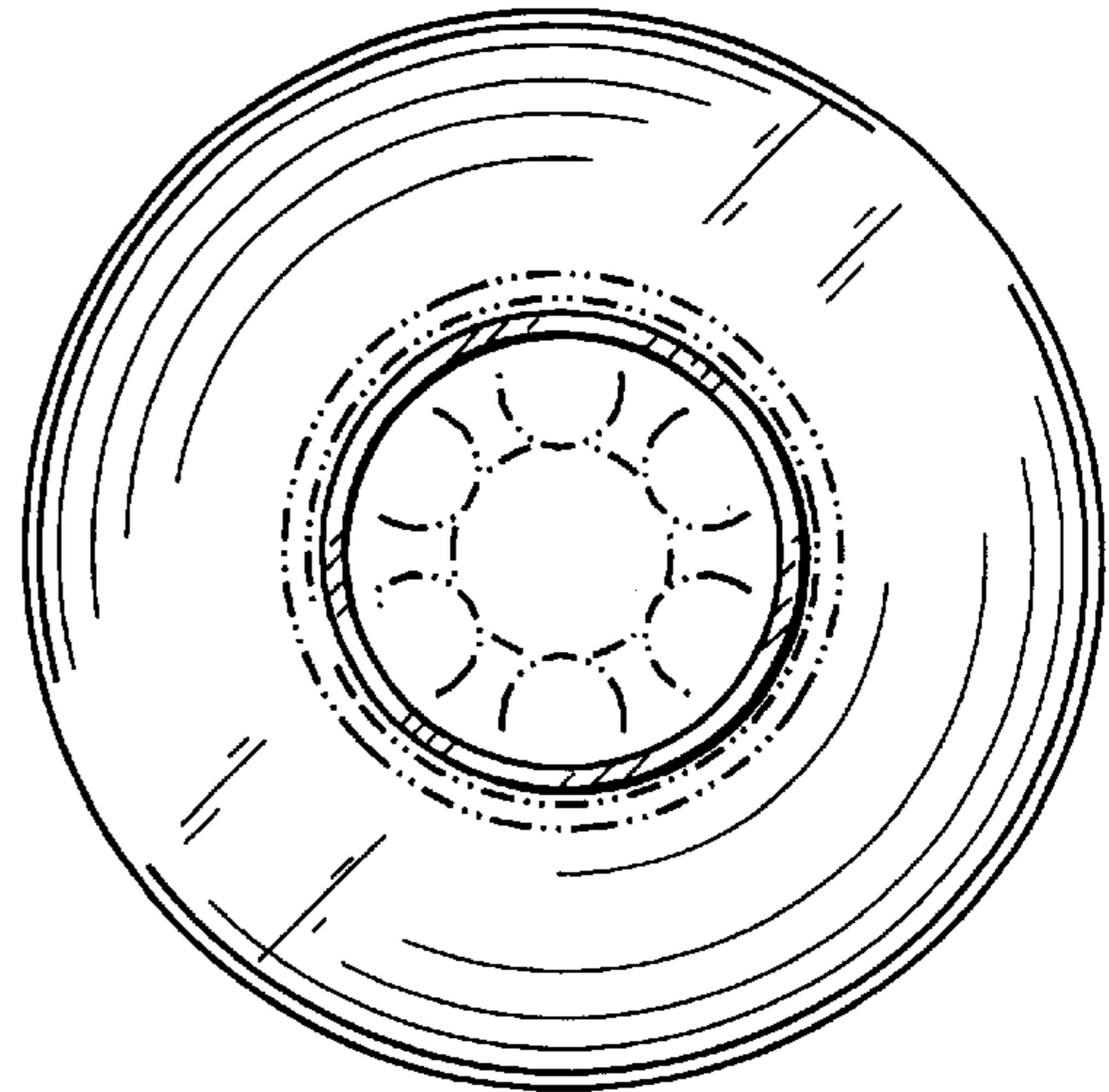


FIG. 35

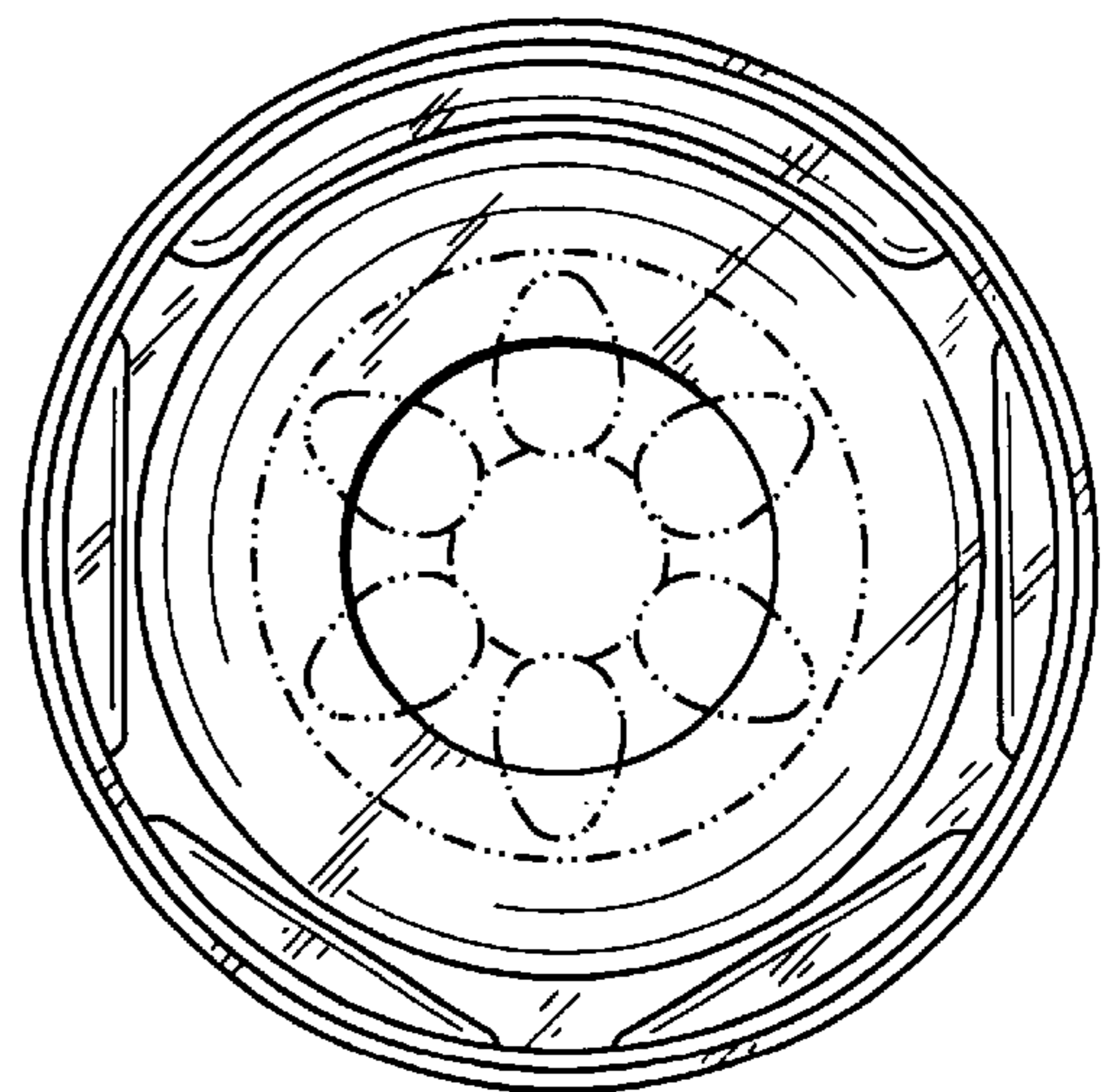


FIG. 30

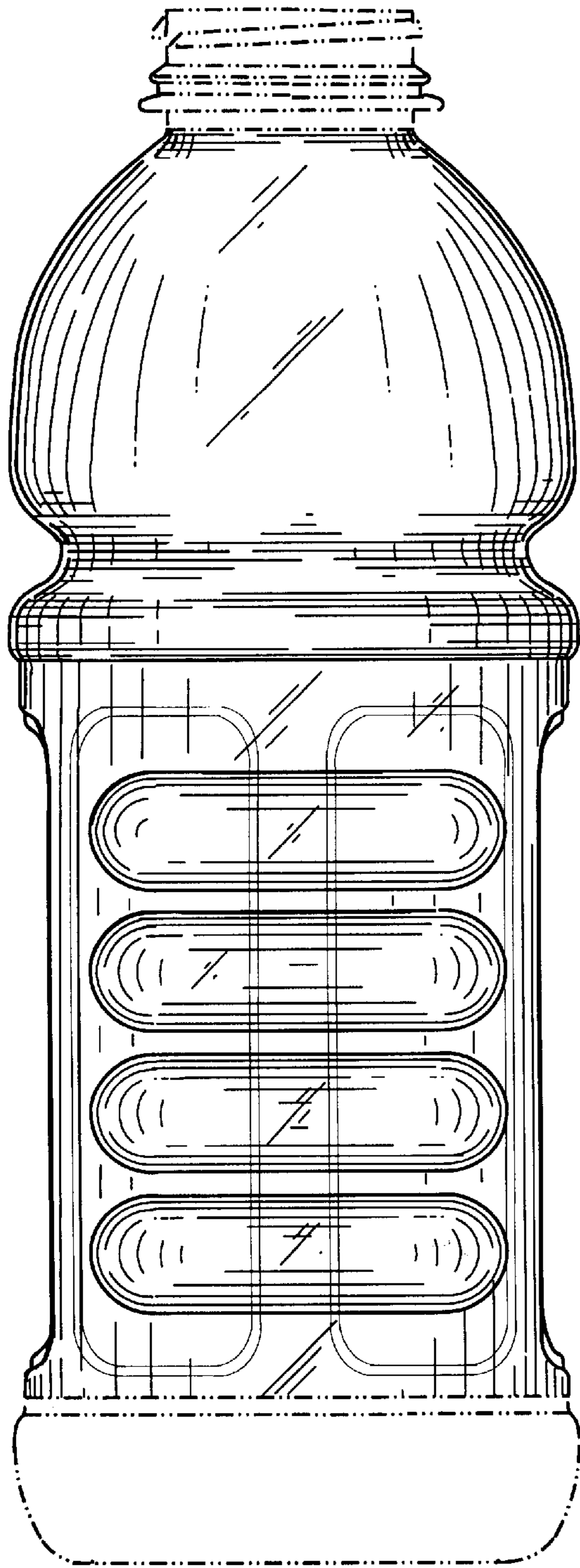


FIG. 31

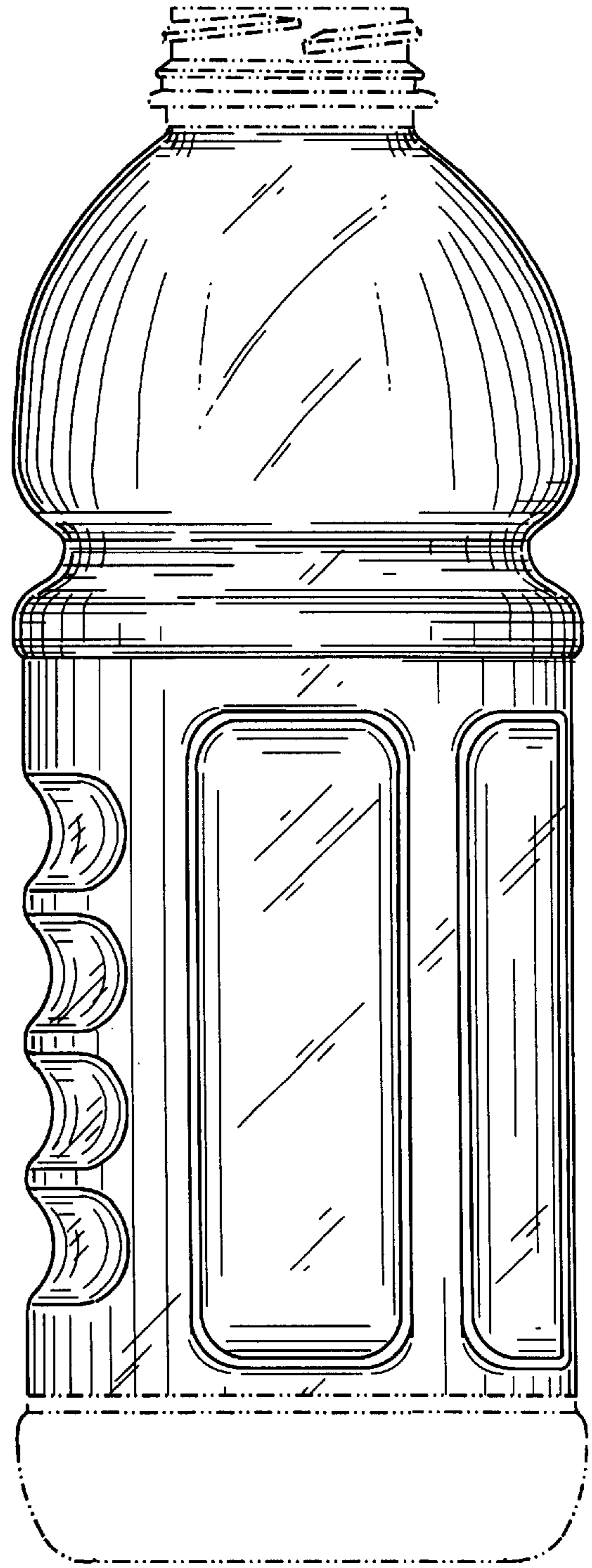


FIG. 32

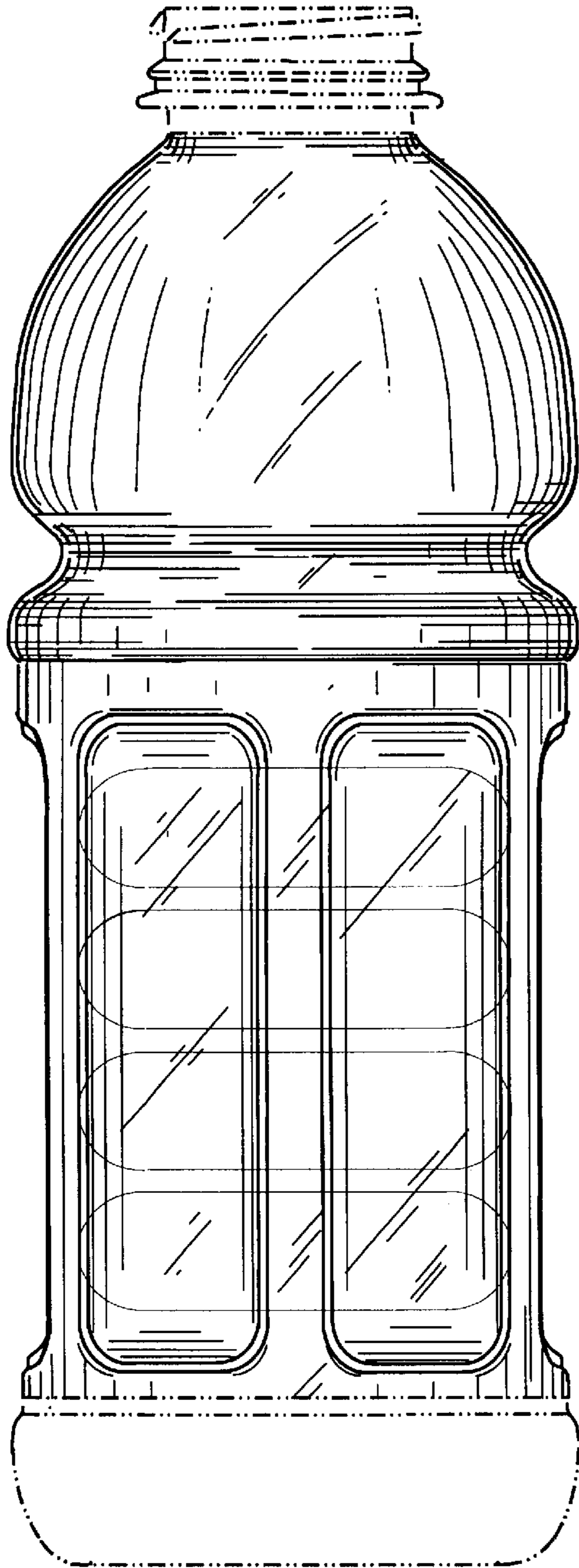


FIG. 33

