



US00D443203S

(12) **United States Design Patent**  
**Crawford**

(10) **Patent No.:** **US D443,203 S**

(45) **Date of Patent:** **\*\* Jun. 5, 2001**

(54) **DISPENSER**

(75) Inventor: **John C. Crawford**, Mahopac, NY (US)

(73) Assignee: **Colgate-Palmolive Company**, New York, NY (US)

(\*\*) Term: **14 Years**

(21) Appl. No.: **29/102,240**

(22) Filed: **Mar. 19, 1999**

**Related U.S. Application Data**

(63) Continuation-in-part of application No. 29/082,390, filed on Jan. 21, 1998.

(51) **LOC (7) Cl.** ..... **09-99**

(52) **U.S. Cl.** ..... **D9/338**

(58) **Field of Search** ..... D9/337-339, 503, D9/517-520, 529, 571-575; D28/7, 76, 82; 206/229, 581, 823; 401/95, 172, 175, 176, 179

(56) **References Cited**

**U.S. PATENT DOCUMENTS**

- D. 216,294 12/1969 Rias .
- D. 248,214 6/1978 Dinuccio .
- D. 308,330 6/1990 Teece .
- D. 308,476 6/1990 Rosenberg .
- D. 320,310 \* 10/1991 Kuhn ..... D9/338 X
- D. 321,596 11/1991 Zierhut .
- D. 323,292 \* 1/1992 Jones ..... D9/529 X

- D. 332,914 2/1993 Stephens .
- D. 334,712 4/1993 Turner-Adams .
- D. 341,315 \* 11/1993 Seymour ..... D9/529 X
- D. 342,677 12/1993 Cazaudehore .
- D. 351,926 10/1994 Nakashima et al. .
- D. 352,458 \* 11/1994 Gray ..... D9/529 X
- D. 374,817 10/1996 Bertolini et al. .
- D. 376,048 12/1996 Gerhart et al. .
- D. 380,155 6/1997 Poisson .
- 718,969 \* 1/1903 Altshul ..... 401/176
- 4,571,106 2/1986 Scuderi .

**OTHER PUBLICATIONS**

Digital photographs of container for BRUT Clear Gel Anti-Perspirant by Faberge, undated.

\* cited by examiner

*Primary Examiner*—Nanda Bondade

(74) *Attorney, Agent, or Firm*—Michael J. McGreal

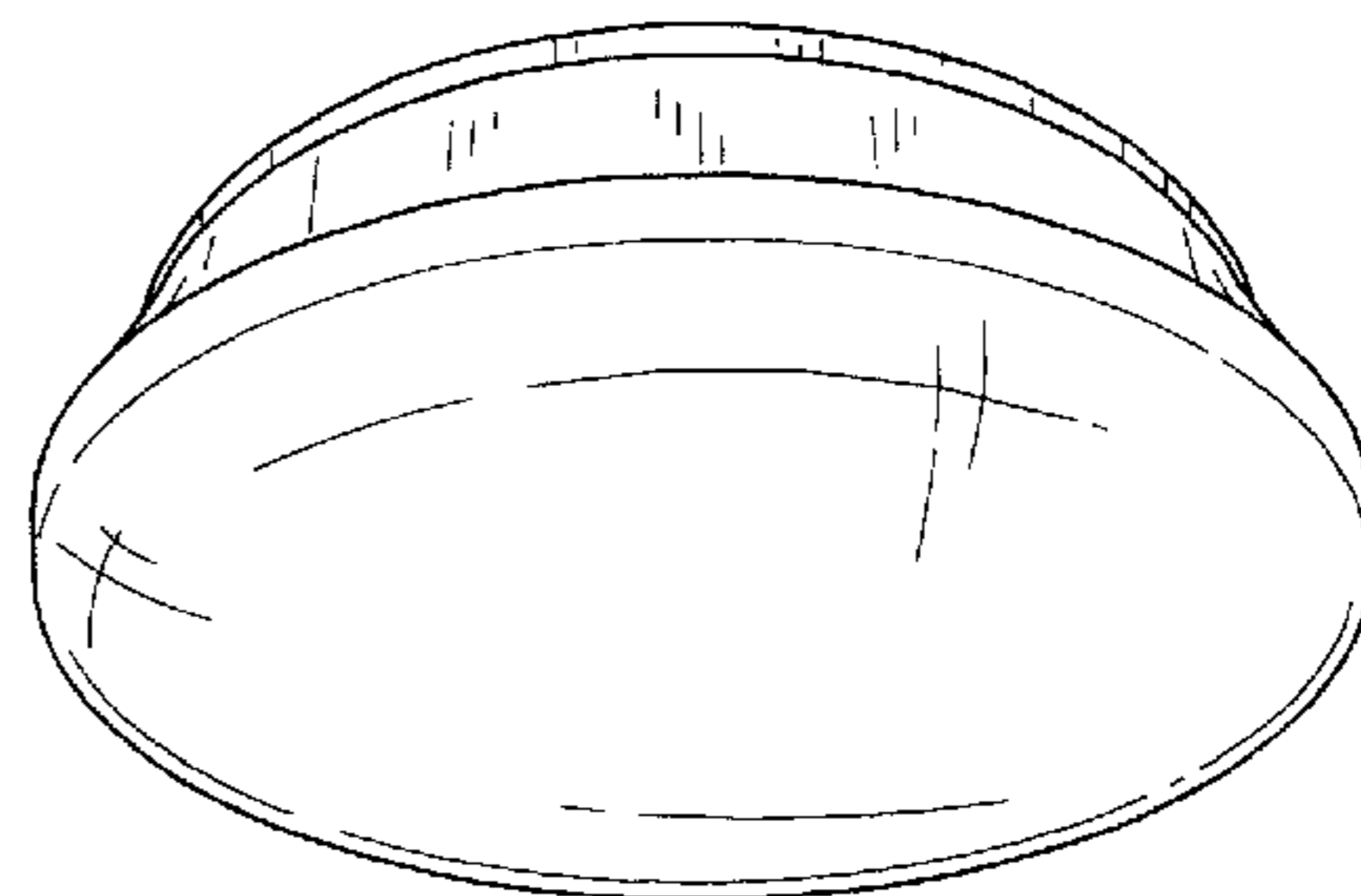
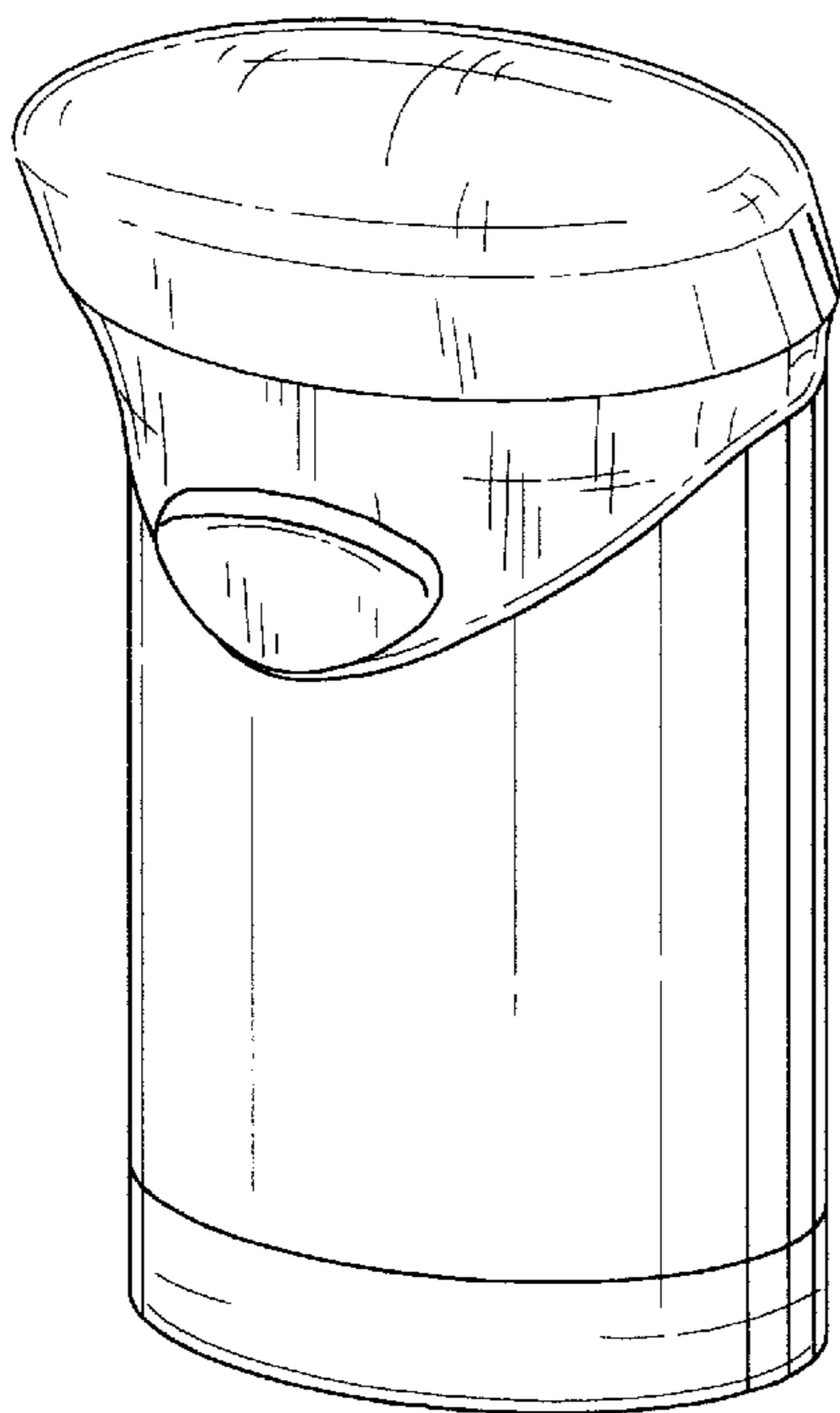
(57) **CLAIM**

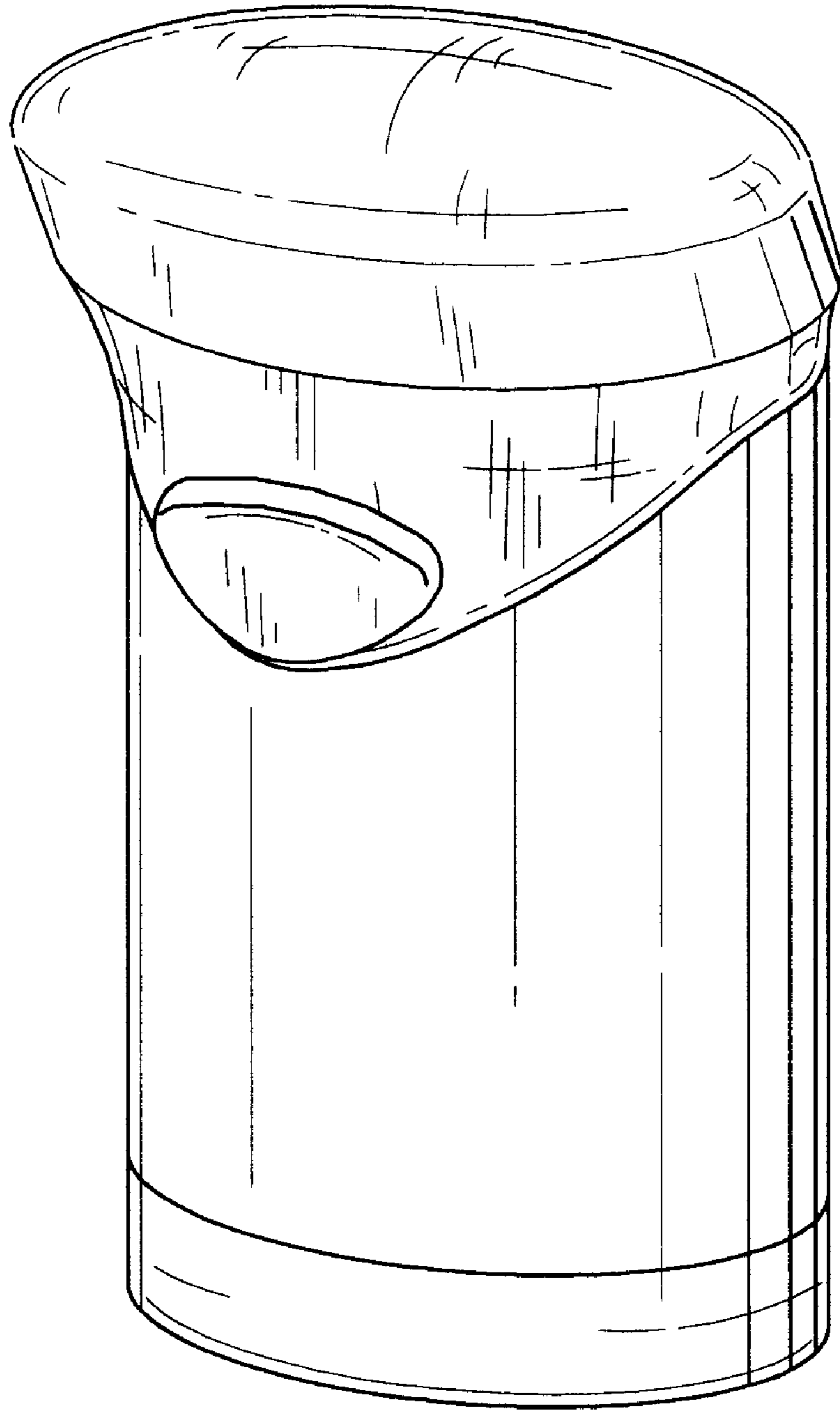
The ornamental design for a dispenser, as shown and described.

**DESCRIPTION**

FIG. 1 is a perspective view of my design for a dispenser. FIG. 2 is a right and side elevation view thereof. FIG. 3 is a front elevation view thereof. FIG. 4 is a rear elevation view thereof. FIG. 5 is a top plan view thereof; and, FIG. 6 is a bottom plan view thereof.

**1 Claim, 3 Drawing Sheets**





***FIG. 1***

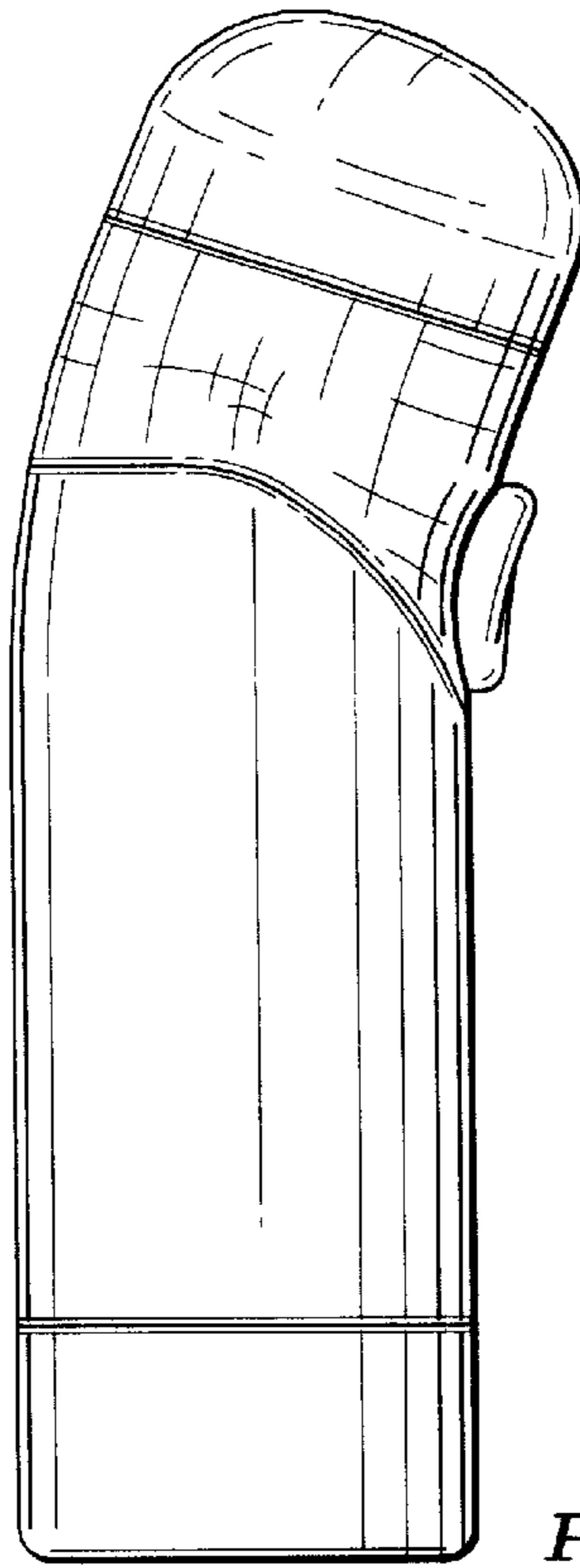


FIG. 2

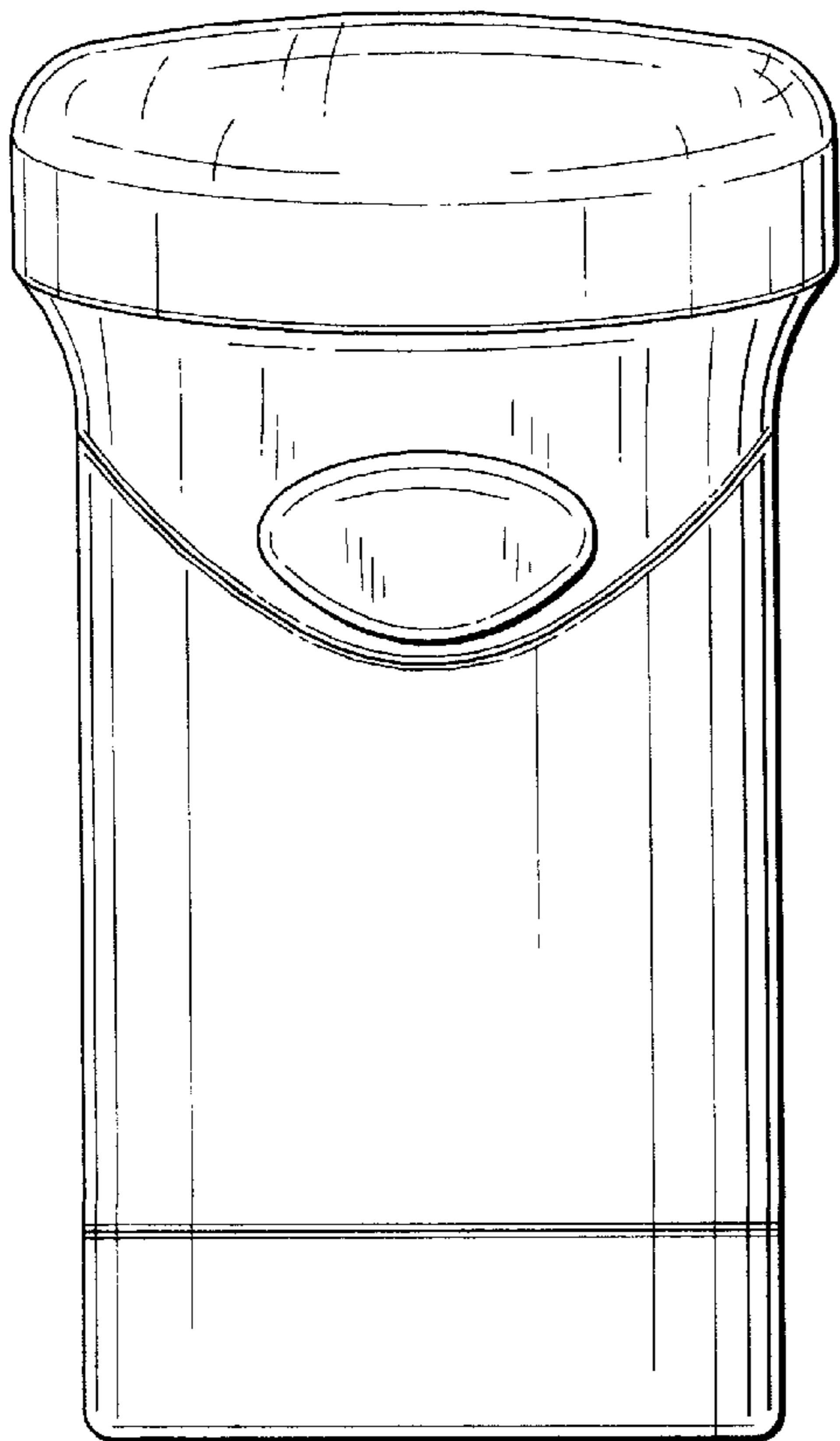


FIG. 3

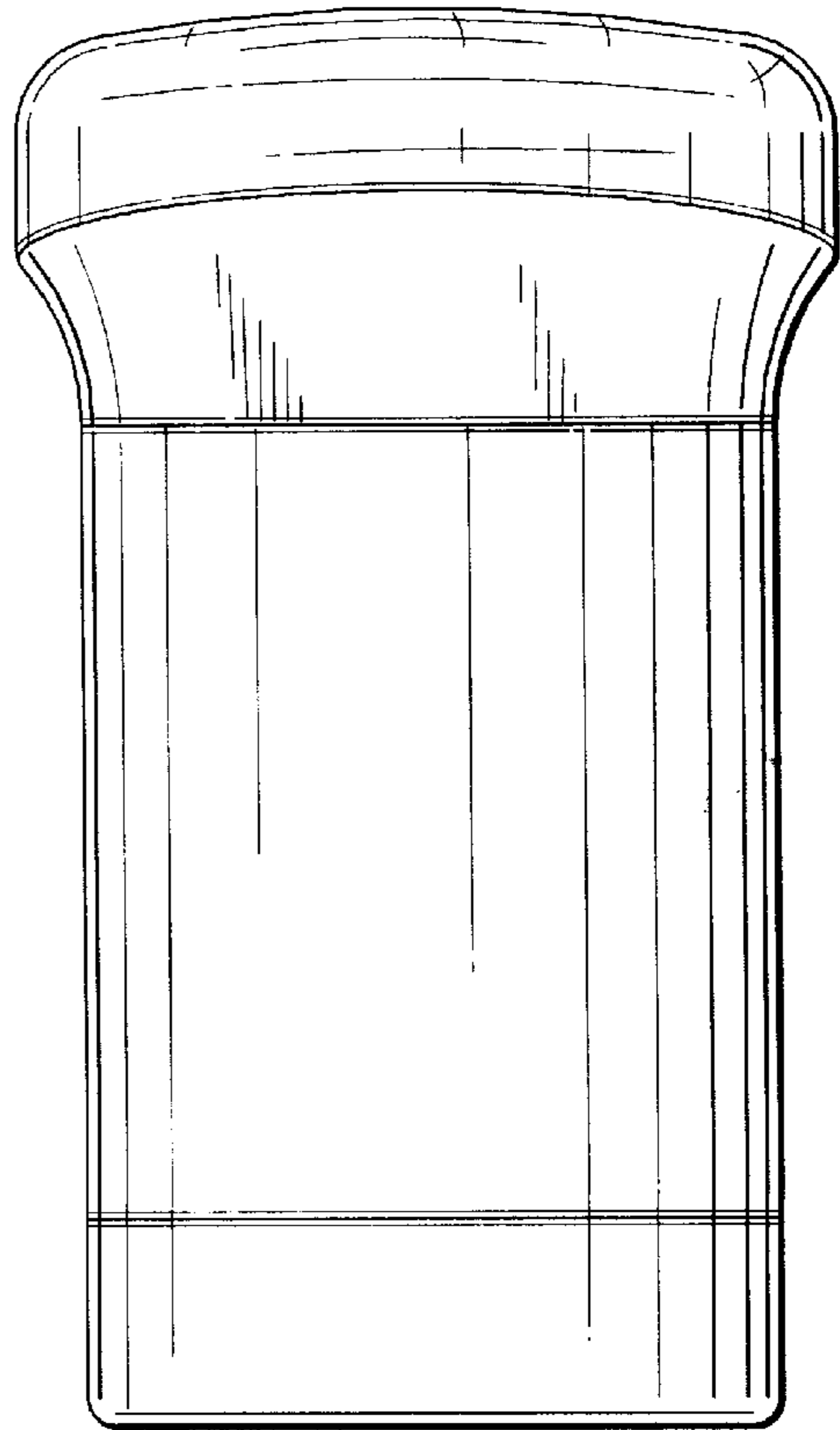
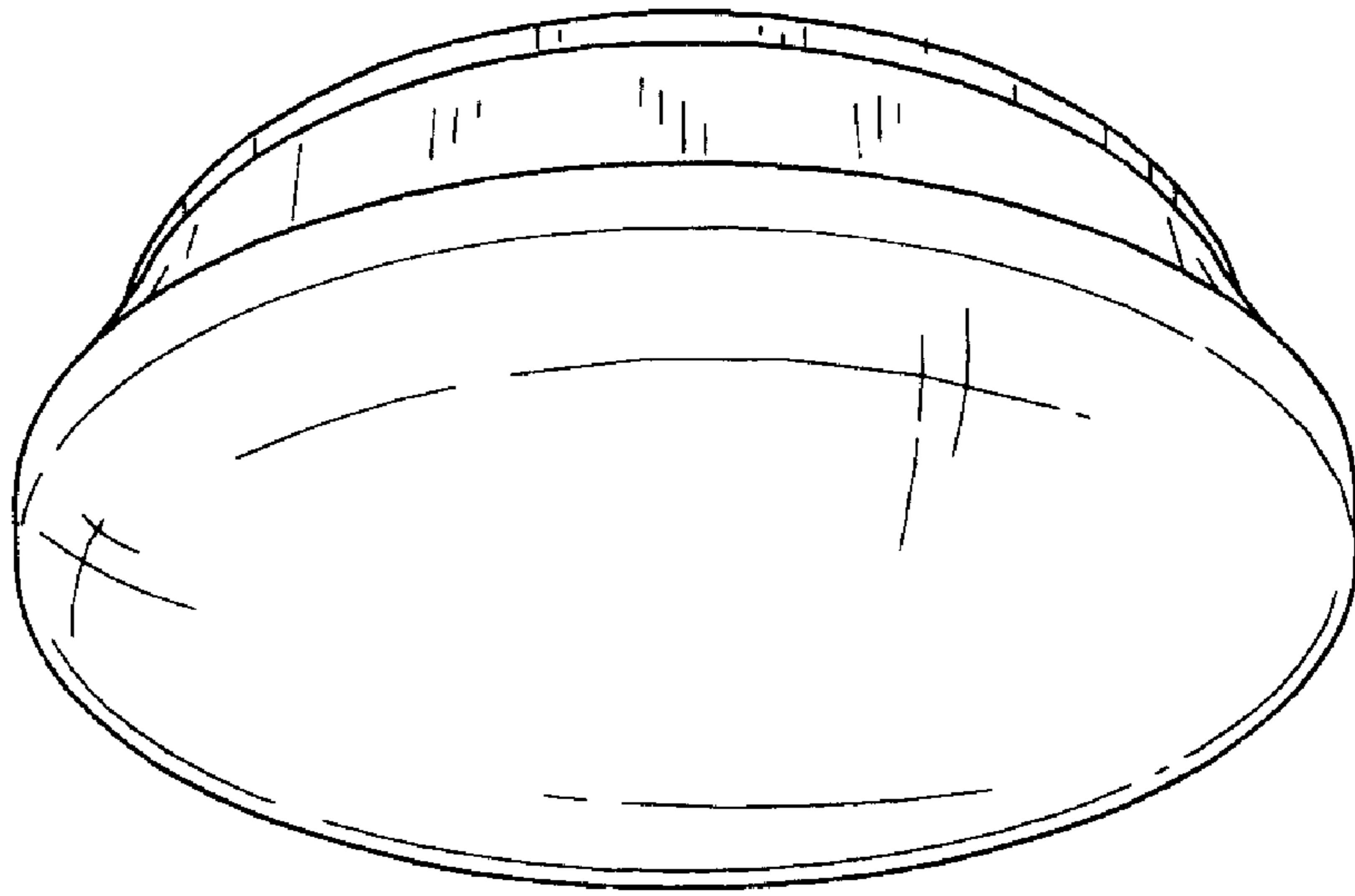
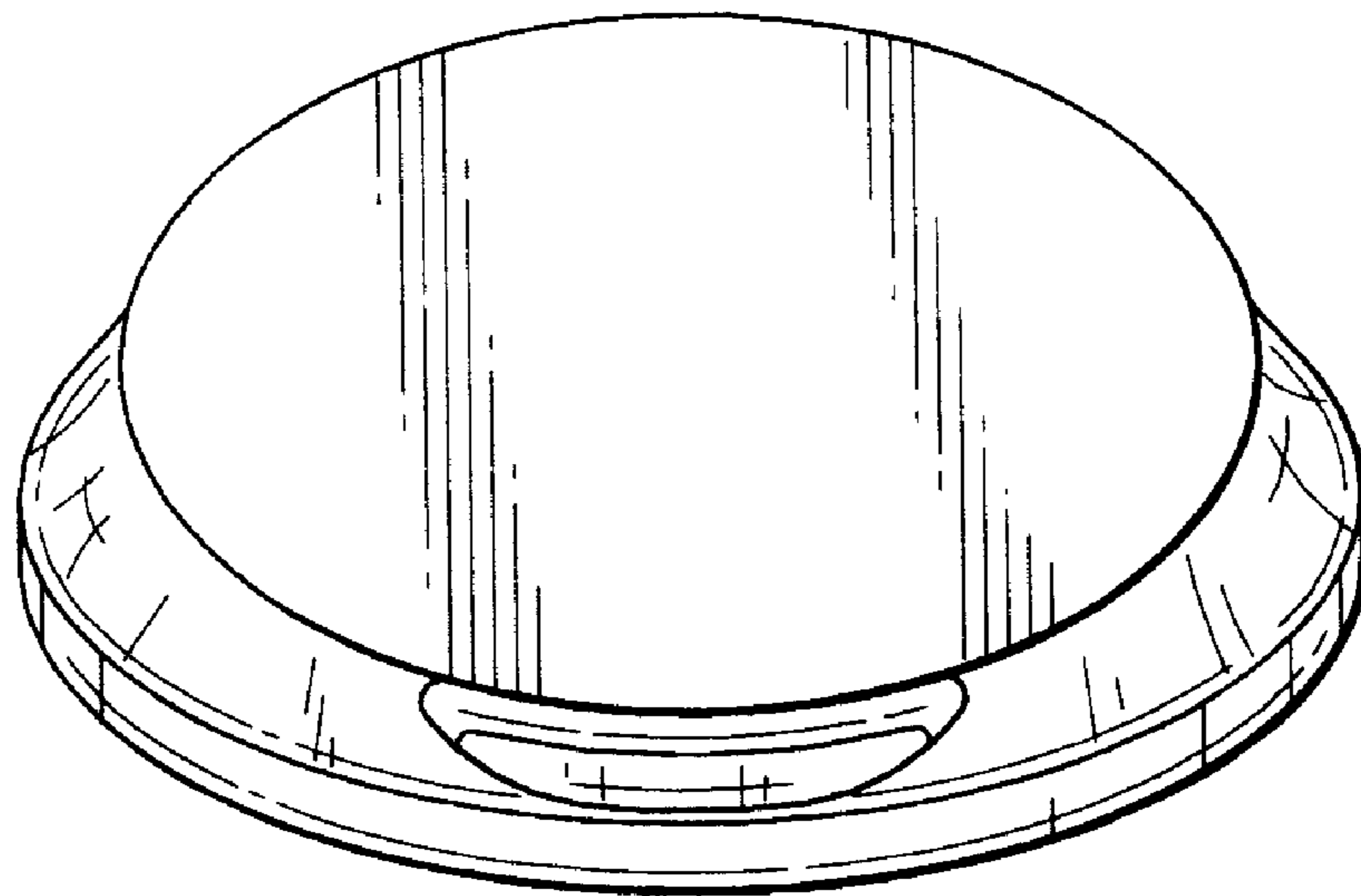


FIG. 4



*FIG. 5*



*FIG. 6*