



US00D443201S

(12) **United States Design Patent**
Bendick

(10) **Patent No.:** **US D443,201 S**

(45) **Date of Patent:** **** Jun. 5, 2001**

(54) **CLAMP FOR A PAIR OF SKIS AND SKI POLES**

(76) **Inventor:** **William J. Bendick**, 588 11th St.,
Brooklyn, NY (US) 11215

(**) **Term:** **14 Years**

(21) **Appl. No.:** **29/119,989**

(22) **Filed:** **Mar. 13, 2000**

(51) **LOC (7) Cl.** **08-08**

(52) **U.S. Cl.** **D8/394; D3/261; D8/396;**
D21/771

(58) **Field of Search** D8/394-396; D3/261,
D3/315; D21/771, 772; 224/328, 917.5;
24/488, 518; 288/814; 294/147

(56) **References Cited**

U.S. PATENT DOCUMENTS

- D. 284,810 * 7/1986 Kelemen, Sr. .
- D. 390,447 * 2/1998 Colen, Jr. .
- 3,896,527 * 7/1975 Miller et al. .
- 4,134,182 * 1/1979 Ramsby .
- 4,165,027 * 8/1979 Briggs .
- 4,494,787 * 1/1985 Gainey .

* cited by examiner

Primary Examiner—B. J. Bullock

(74) *Attorney, Agent, or Firm*—Charles E. Baxley

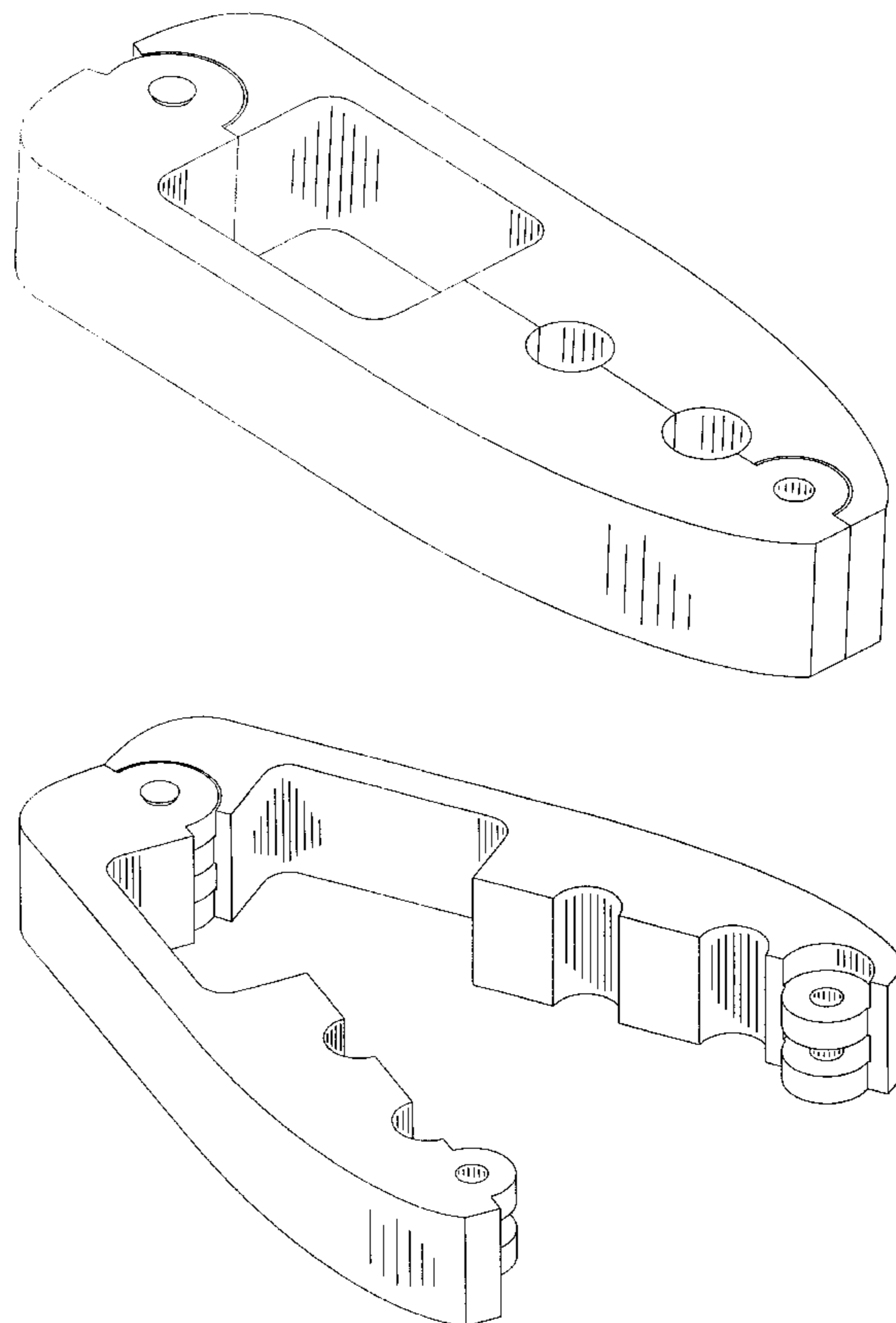
(57) **CLAIM**

The ornamental design of a clamp for a pair of skis and ski poles, as shown and described.

DESCRIPTION

FIG. 1 is a top plan view in a closed mode of a clamp for a pair of skis and ski poles;
 FIG. 2 is a top plan view thereof in an open mode;
 FIG. 3 is a front elevational view thereof in an open mode relative to FIG. 2;
 FIG. 4 is a front elevational view thereof in a closed mode relative to FIG. 1;
 FIG. 5 is a rear elevational view thereof in an open mode relative to FIG. 2;
 FIG. 6 is a rear elevational view thereof in the closed mode relative to FIG. 1;
 FIG. 7 is a left side elevational view thereof in a closed mode relative to FIG. 2, the right side elevational view thereof being a mirror image of FIG. 7;
 FIG. 8 is a left side elevational view thereof in an open mode relative to FIG. 1, the right side elevational view thereof being a mirror image of FIG. 8;
 FIG. 9 is a downward angular perspective view thereof in a closed mode relative to FIG. 1;
 FIG. 10 is a downward angular perspective view thereof in an open mode relative to FIG. 2; and,
 FIG. 11 is a frontal and downward perspective view thereof relative to FIG. 2.

1 Claim, 7 Drawing Sheets



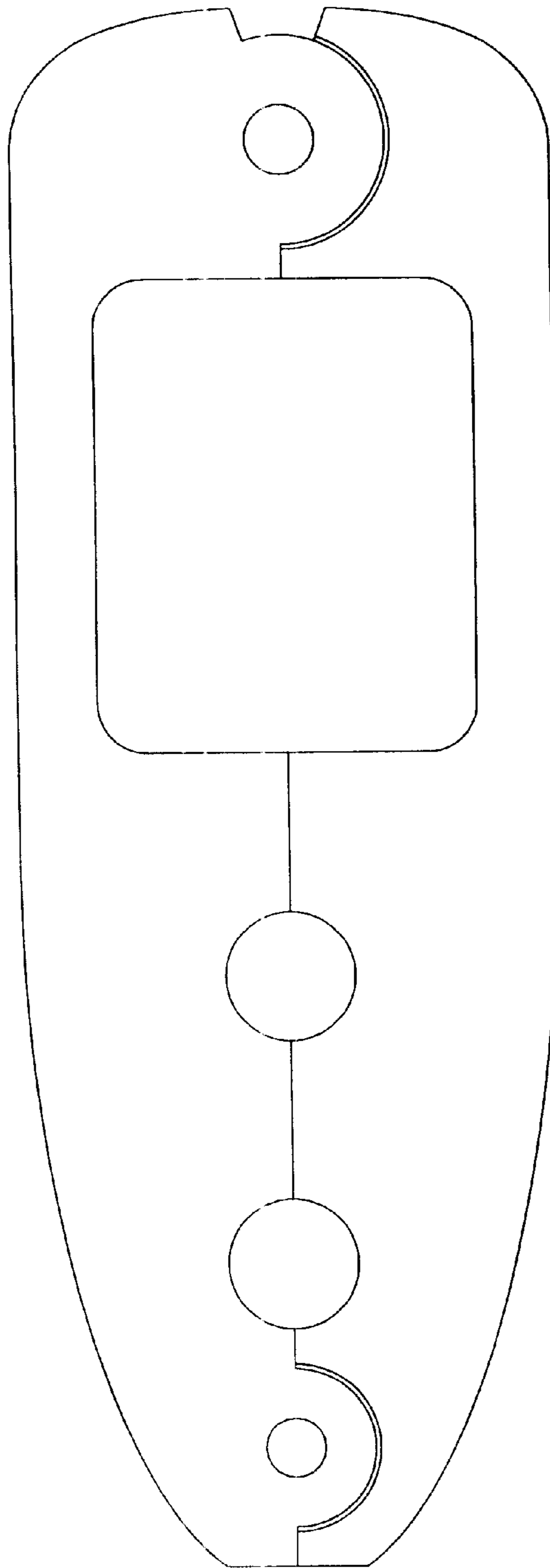


FIG. 1

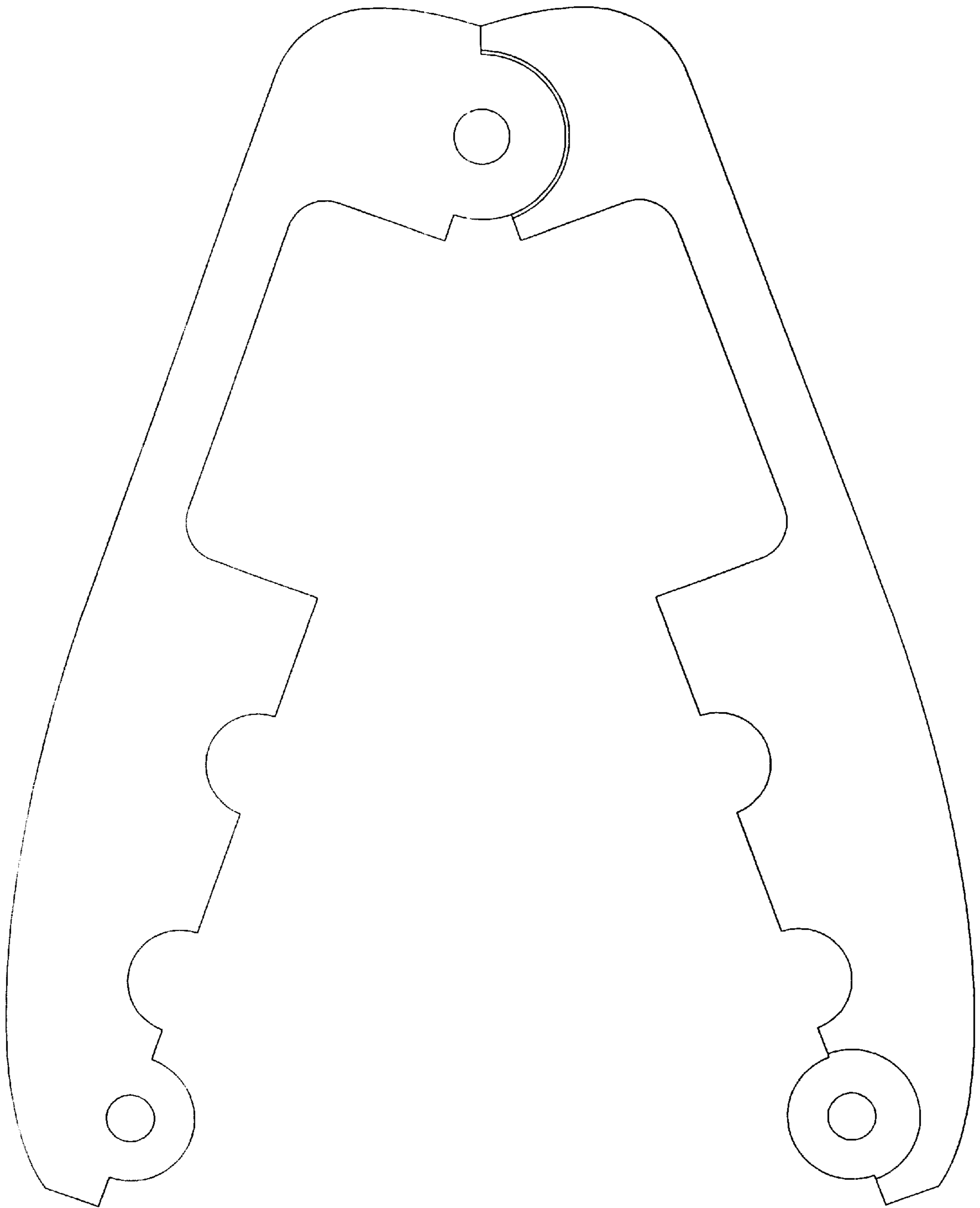


FIG. 2

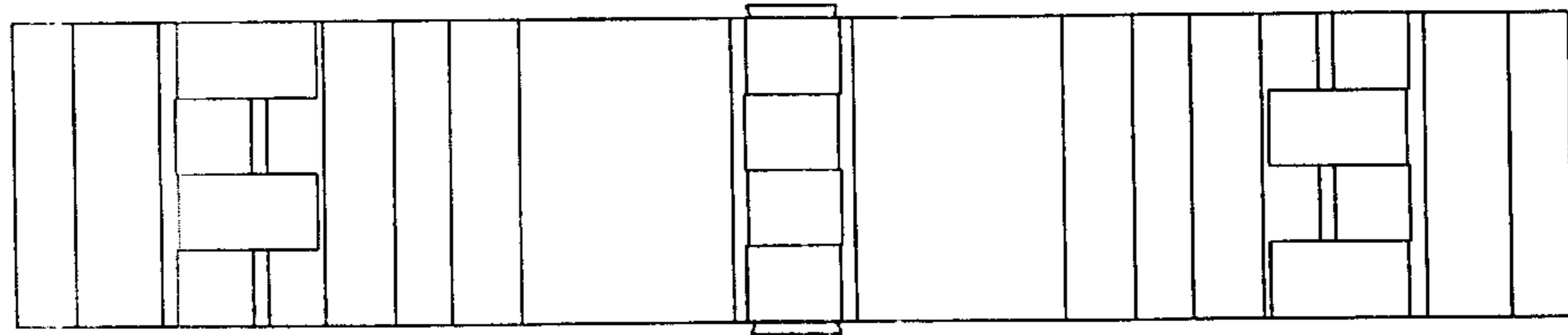


FIG. 3

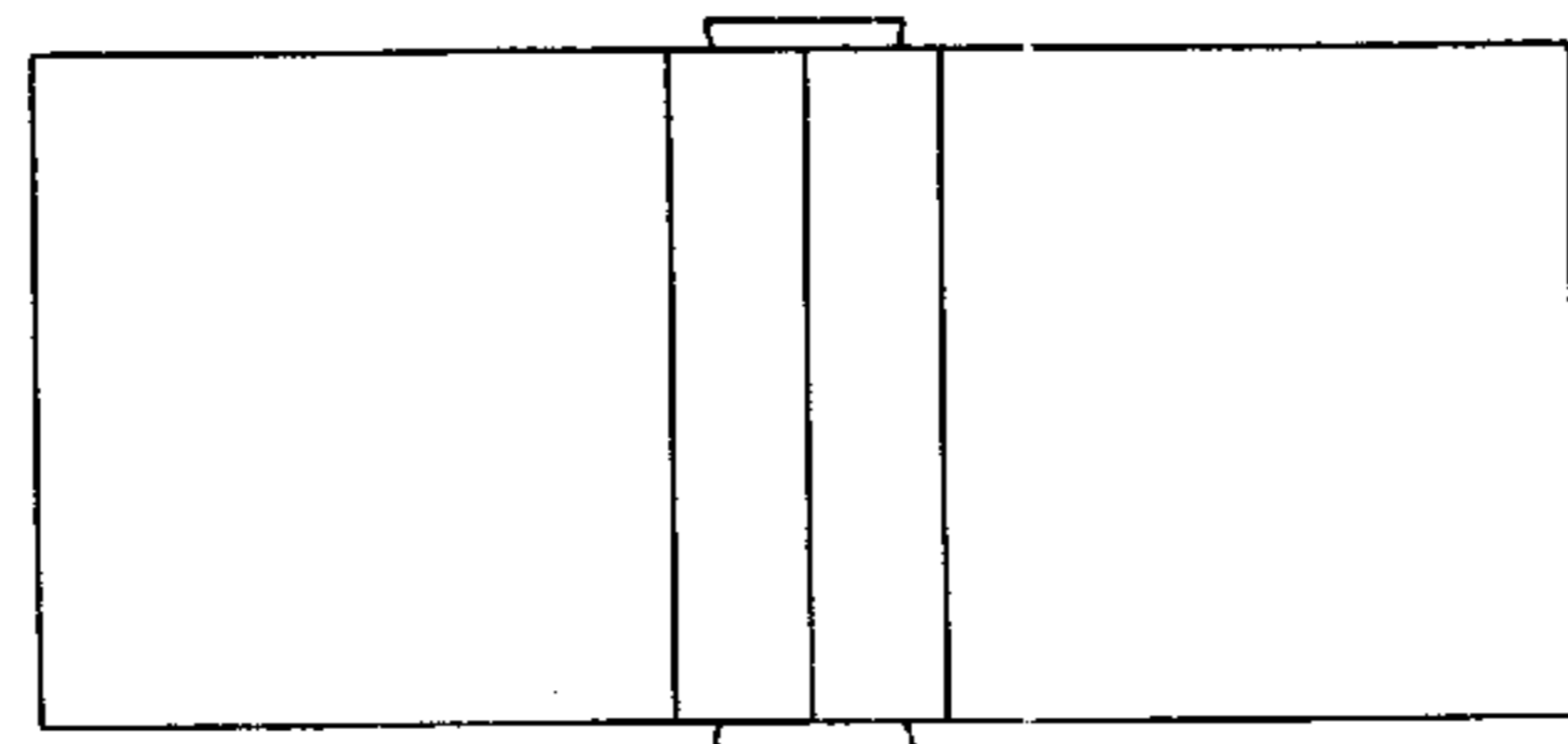


FIG. 4

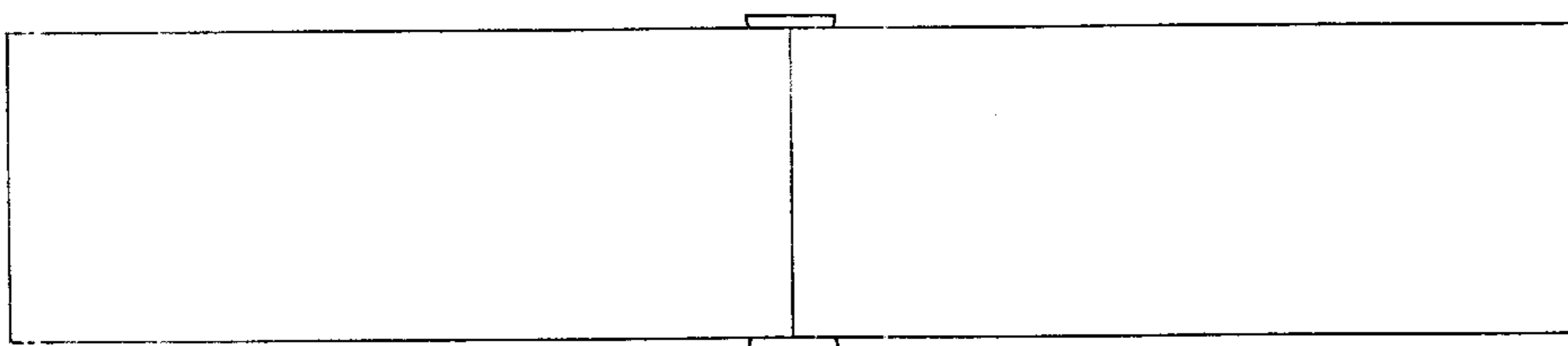


FIG. 5

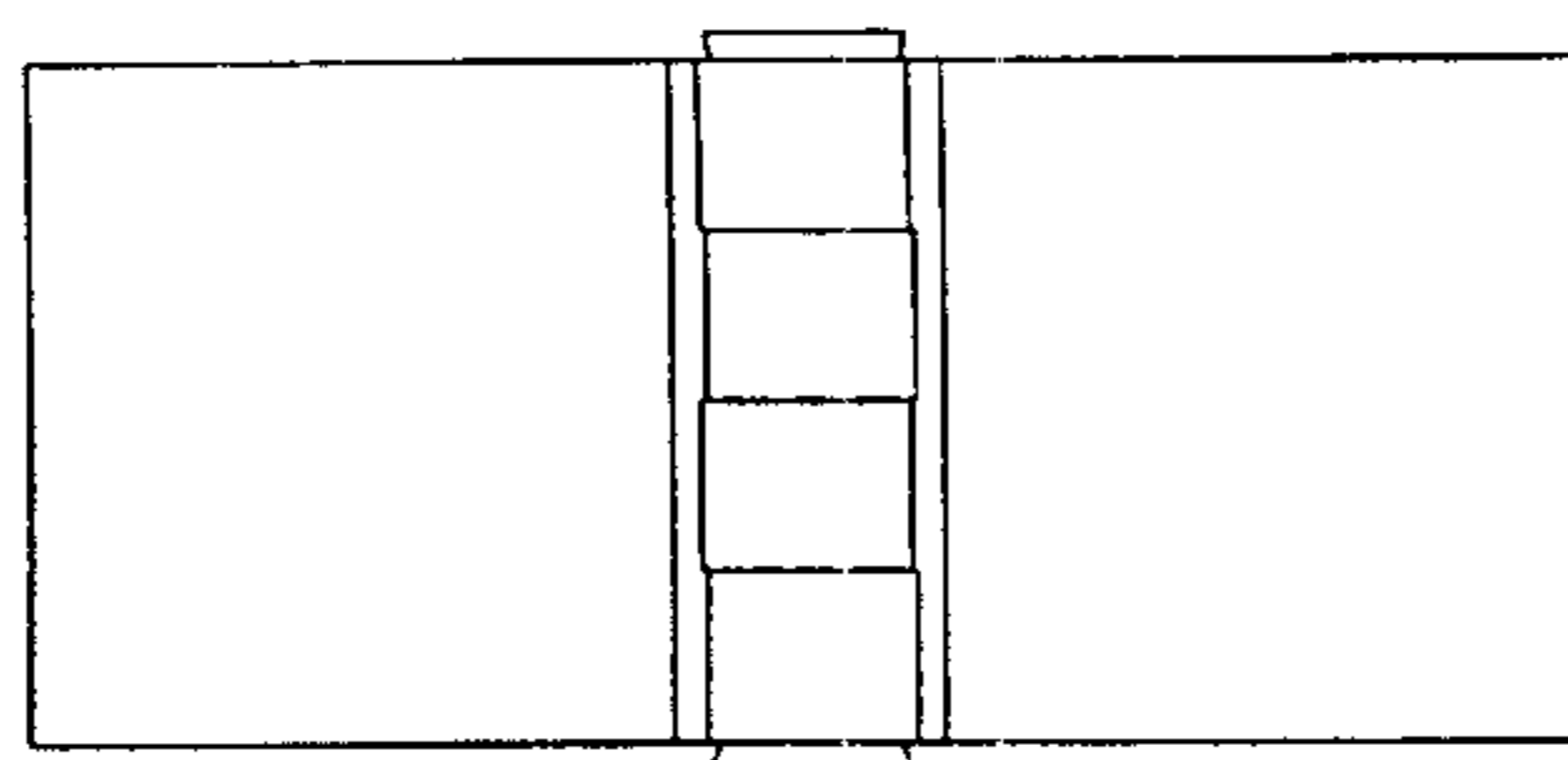


FIG. 6

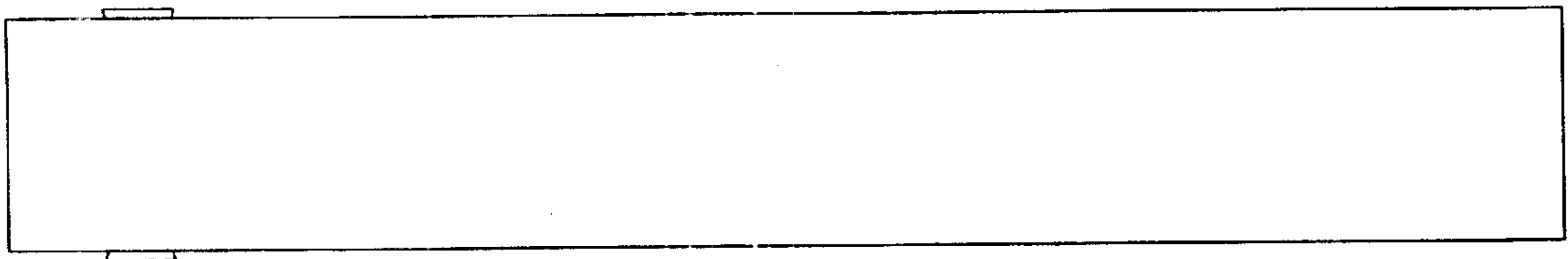


FIG. 7

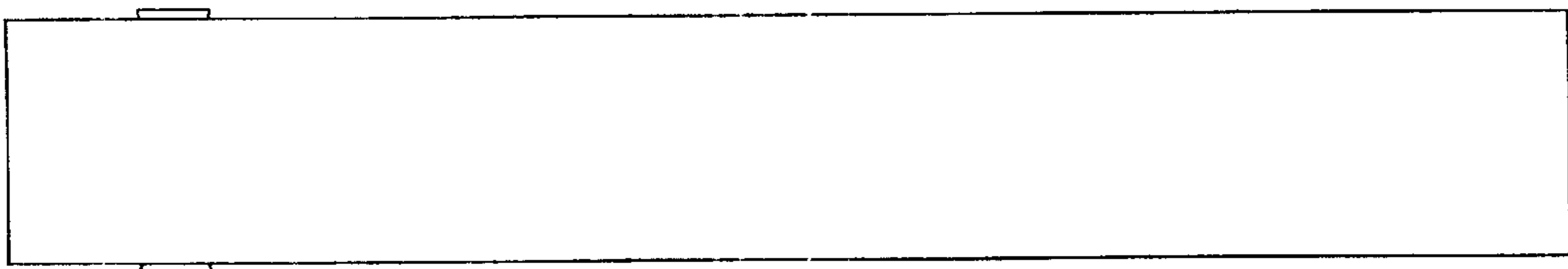


FIG. 8

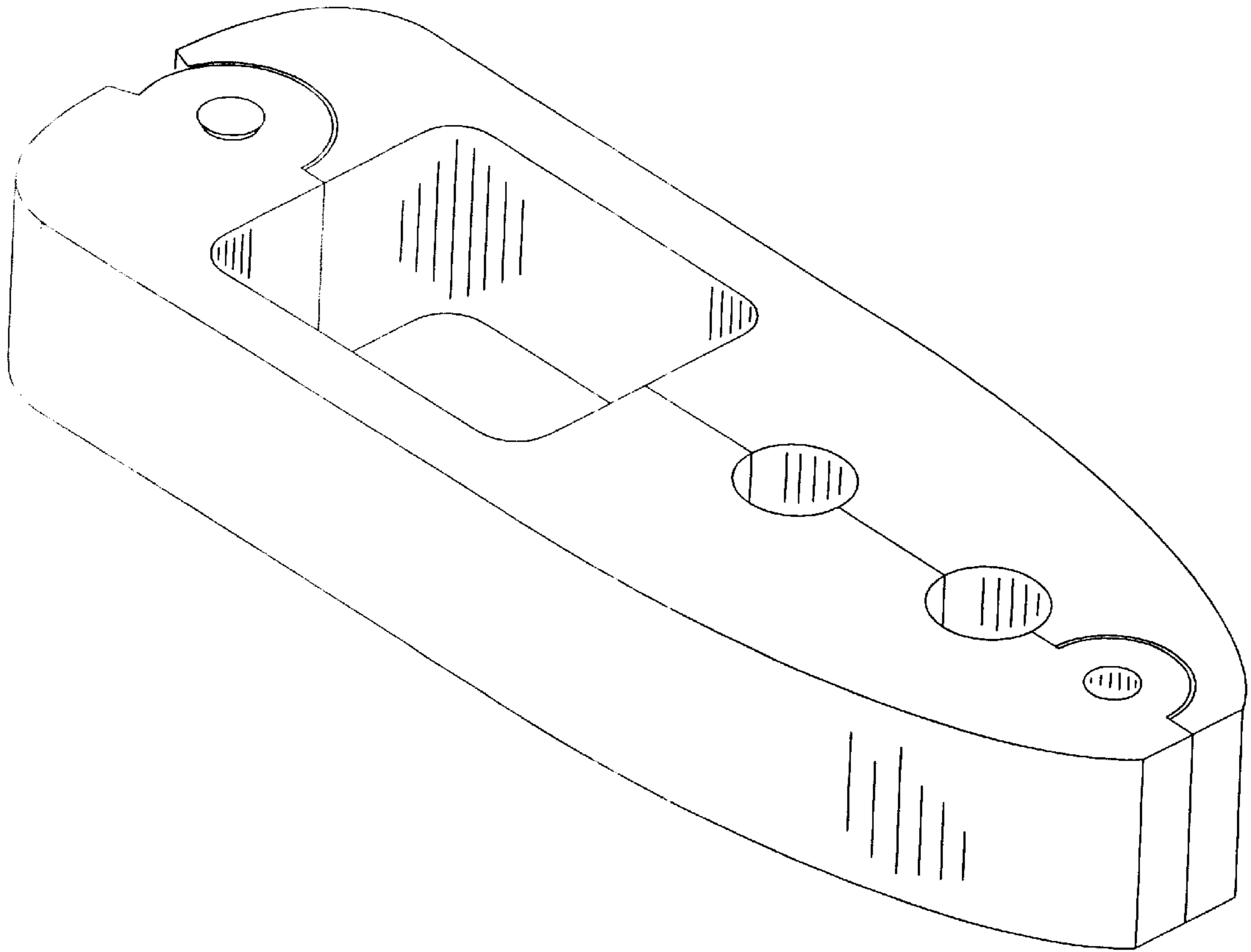


FIG. 9

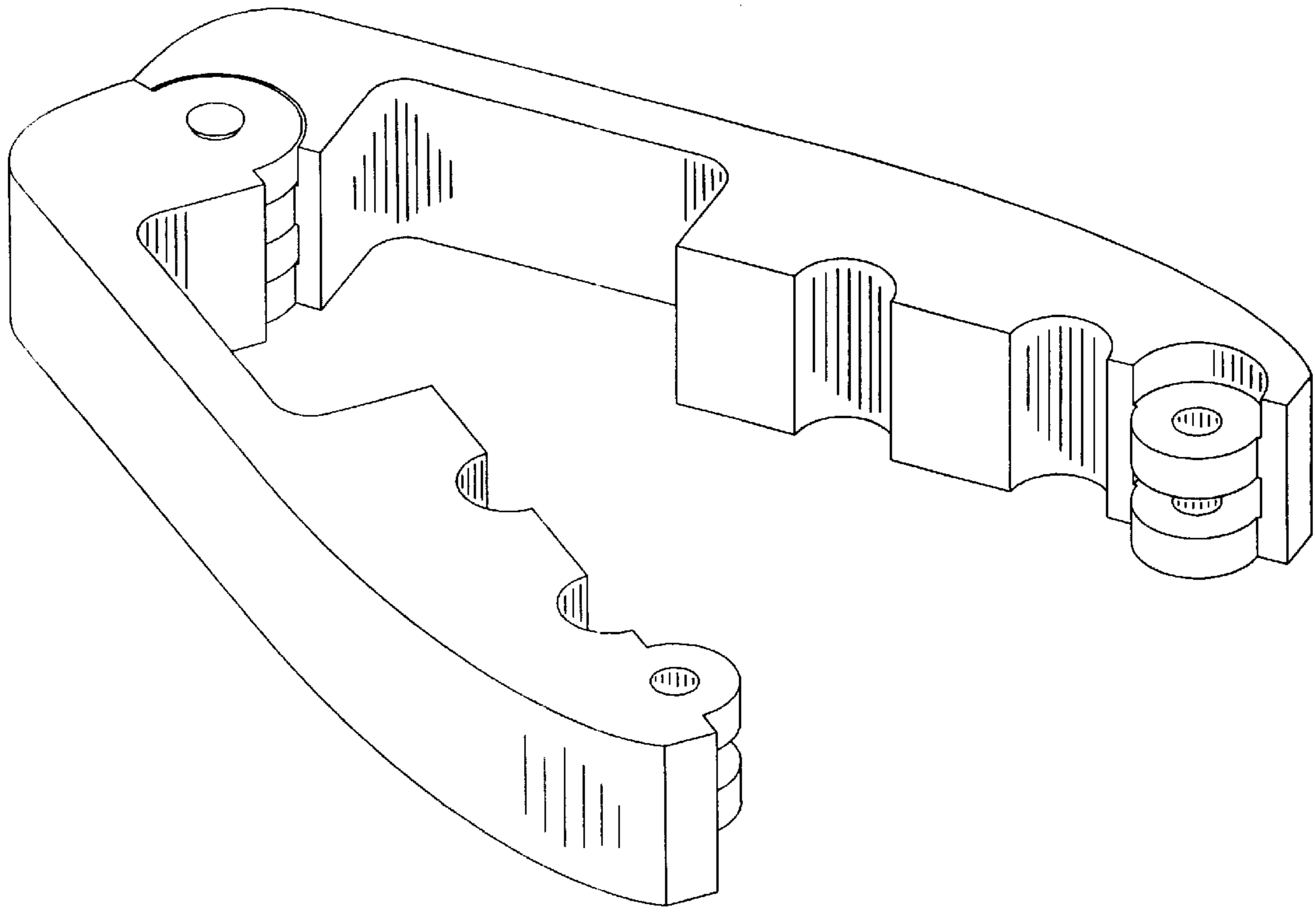


FIG. 10

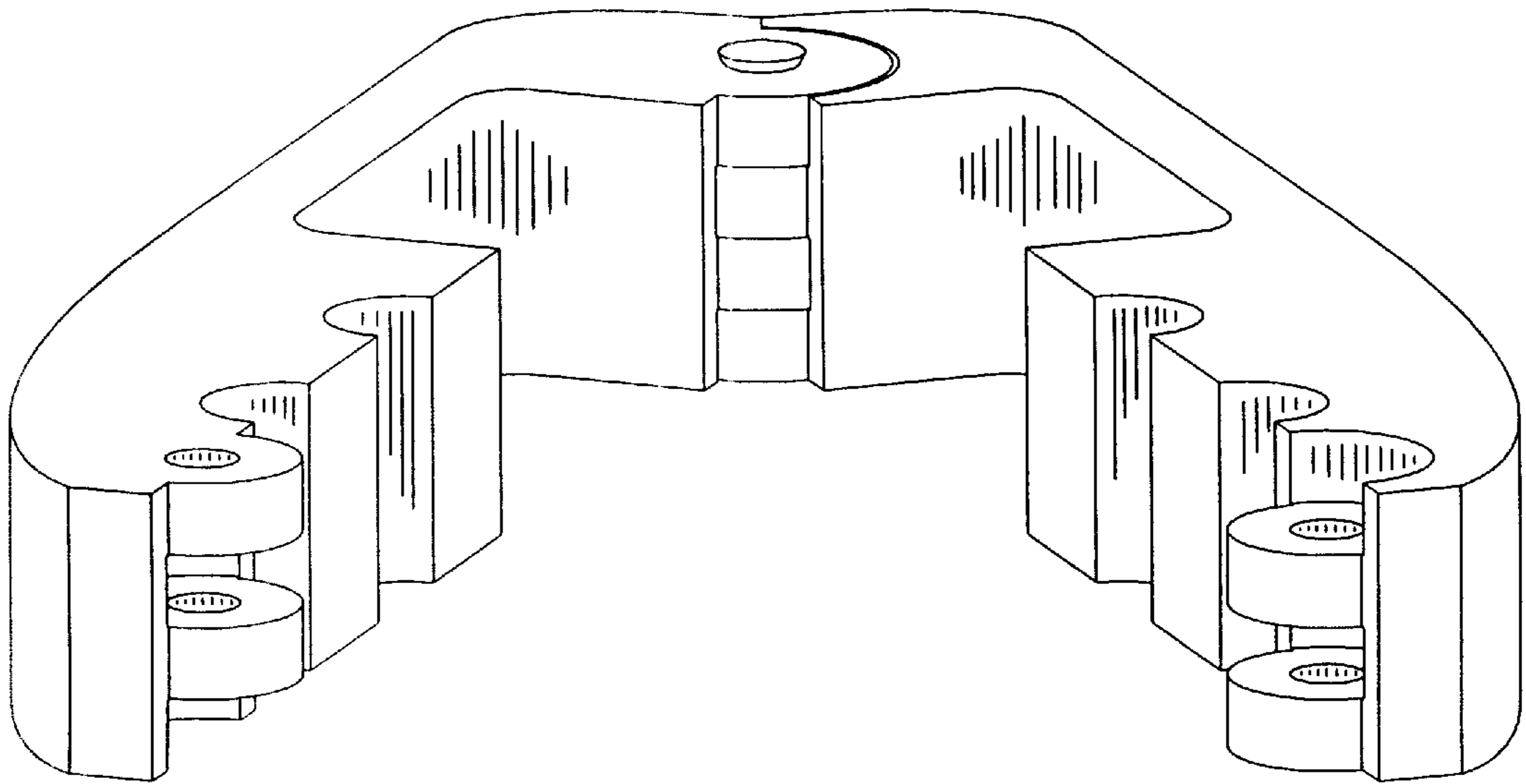


FIG. II